



(12) **United States Design Patent**
Burkhart et al.

(10) **Patent No.:** **US D949,454 S**
(45) **Date of Patent:** **** Apr. 19, 2022**

- (54) **CULTIVATION LIGHT**
- (71) Applicant: **LUXX LIGHTING, INC.**, Mira Loma, CA (US)
- (72) Inventors: **Brandon Burkhart**, Mira Loma, CA (US); **Thomas O'Connor**, Mira Loma, CA (US)
- (73) Assignee: **LUXX LIGHTING, INC.**, Mira Loma, CA (US)
- (**) Term: **15 Years**

- (21) Appl. No.: **29/732,193**
- (22) Filed: **Apr. 22, 2020**
- (51) **LOC (13) Cl.** **26-04**
- (52) **U.S. Cl.**
USPC **D26/76**
- (58) **Field of Classification Search**
USPC D26/1, 2, 3, 24, 25, 72, 75, 76
CPC F21L 2/00; F21S 2/00; F21S 4/00; F21S 4/20; F21S 4/28; F21S 8/00; F21S 8/006; F21S 8/026; F21S 8/036; H01K 7/00; H01K 7/02; A01G 7/045
See application file for complete search history.

(56) **References Cited**

U.S. PATENT DOCUMENTS

D465,869 S	*	11/2002	Bodell	D26/78
8,956,013 B1	*	2/2015	Shew	F21S 4/28
					362/249.02
D831,243 S	*	10/2018	Shields	F21S 8/066
					D26/24
D881,440 S	*	4/2020	Zhu	A01G 7/02
					D26/76
D910,898 S	*	2/2021	Chen	F21V 23/023
					D26/76
D923,850 S	*	6/2021	Liu	H05B 47/19
					D26/76

2009/0067173	A1*	3/2009	Kufferath-Kassner	D03D 15/593
					362/249.15
2016/0003453	A1*	1/2016	Klase	F21S 8/066
					362/220
2016/0100528	A1*	4/2016	Chow	F21V 23/023
					362/122
2016/0295820	A1*	10/2016	Aykroyd	A01G 7/02
2017/0135290	A1*	5/2017	Sahni	A01G 9/20
2019/0383475	A1*	12/2019	Deng	F21V 21/005
2021/0212268	A1*	7/2021	Chen	H05B 47/19

FOREIGN PATENT DOCUMENTS

CN 202030196289.5 * 5/2020

OTHER PUBLICATIONS

Instagram, "Luxxlighting", first available Dec. 18, 2019. (<https://www.instagram.com/p/B6N5JFyhWhS/>) (Year: 2019).*

(Continued)

Primary Examiner — Lauren D McVey
Assistant Examiner — Justin A Johnson
(74) *Attorney, Agent, or Firm* — Dorsey & Whitney LLP

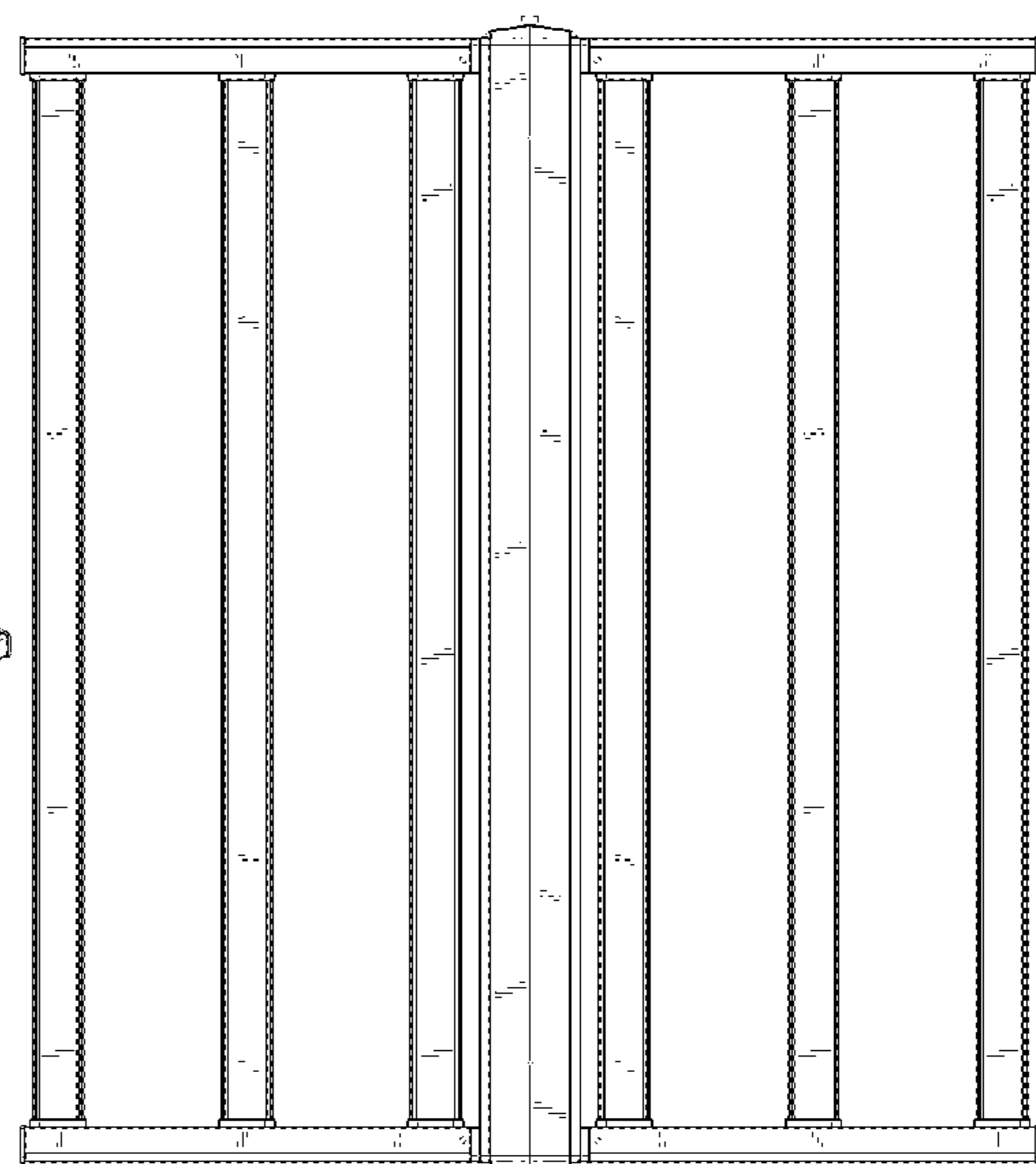
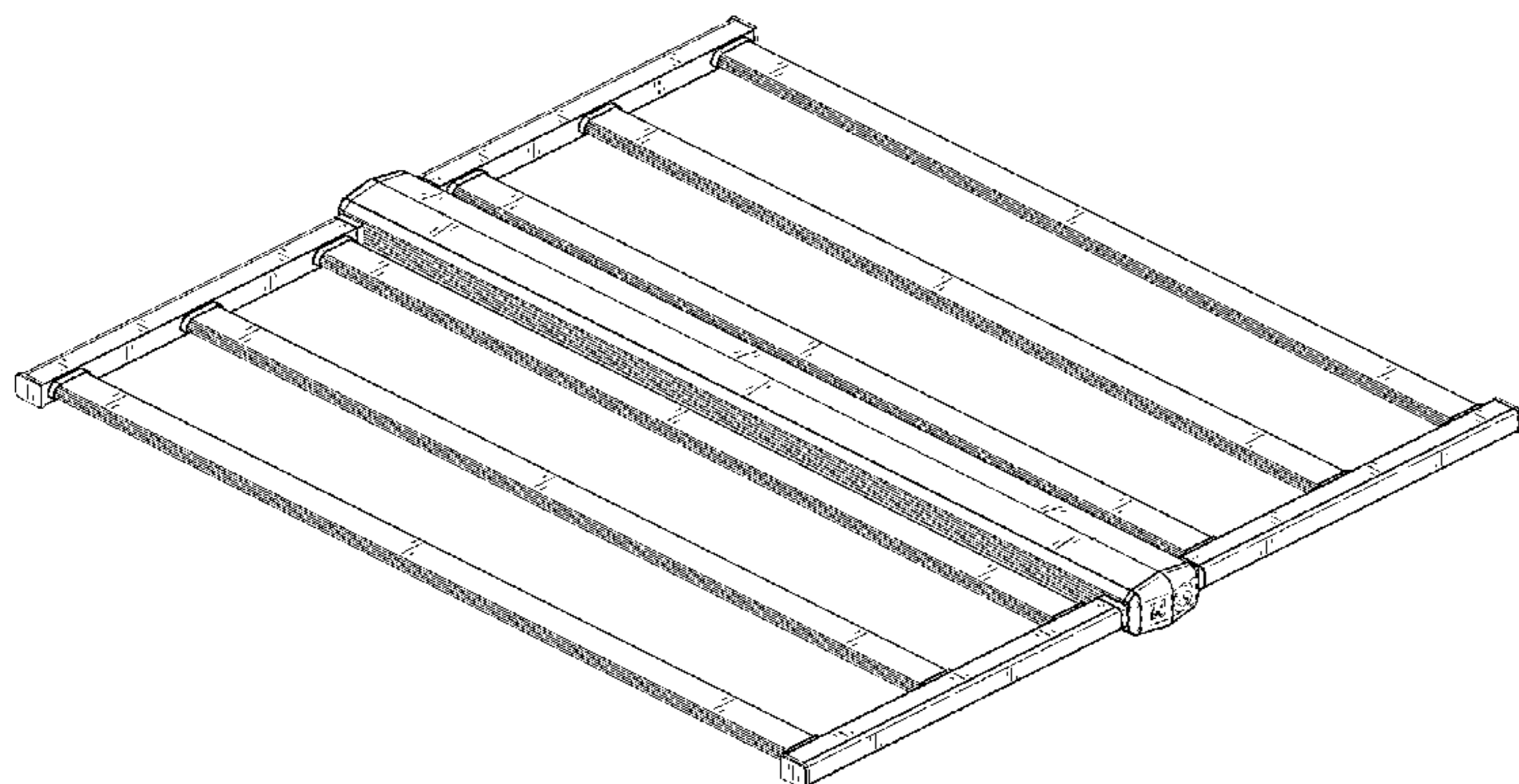
(57) **CLAIM**

We claim the ornamental design for a cultivation light, as shown and described.

DESCRIPTION

FIG. 1 is a top, front isometric view of a cultivation light, showing our new design.
FIG. 2 is a front elevation view thereof.
FIG. 3 is a rear elevation view thereof.
FIG. 4 is an enlarged left side elevation view thereof.
FIG. 5 is an enlarged right side elevation view thereof.
FIG. 6 is a top plan view thereof; and,
FIG. 7 is a bottom plan view thereof.
The broken lines illustrate unclaimed portions of the cultivation light that form no part of the claimed design.

1 Claim, 5 Drawing Sheets



(56)

References Cited

OTHER PUBLICATIONS

Amazon, "Hyphotonflux HPF4000 LED Grow Lights", first available Aug. 20, 2020. (<https://www.amazon.com/dp/B08G85XXKG/>) (Year: 2020).*

Amazon, "Dephen 660W LED Grow Lights", first available Mar. 23, 2021. (<https://www.amazon.com/Lights-3-9x3-6ft-Indoor-Spectrum-Commercial-LED-Plant-Light-Foldable-Dimmable-Daisy/dp/B08ZSCN5BC/>) (Year: 2021).*

Amazon, "AGL V6 Pro LED Grow Light", first available Jan. 28, 2021. (<https://www.amazon.com/AGL-Hydroponics-Commercial-Horticulture-Greenhouse/dp/B08V87XCMP/>) (Year: 2021).*

* cited by examiner

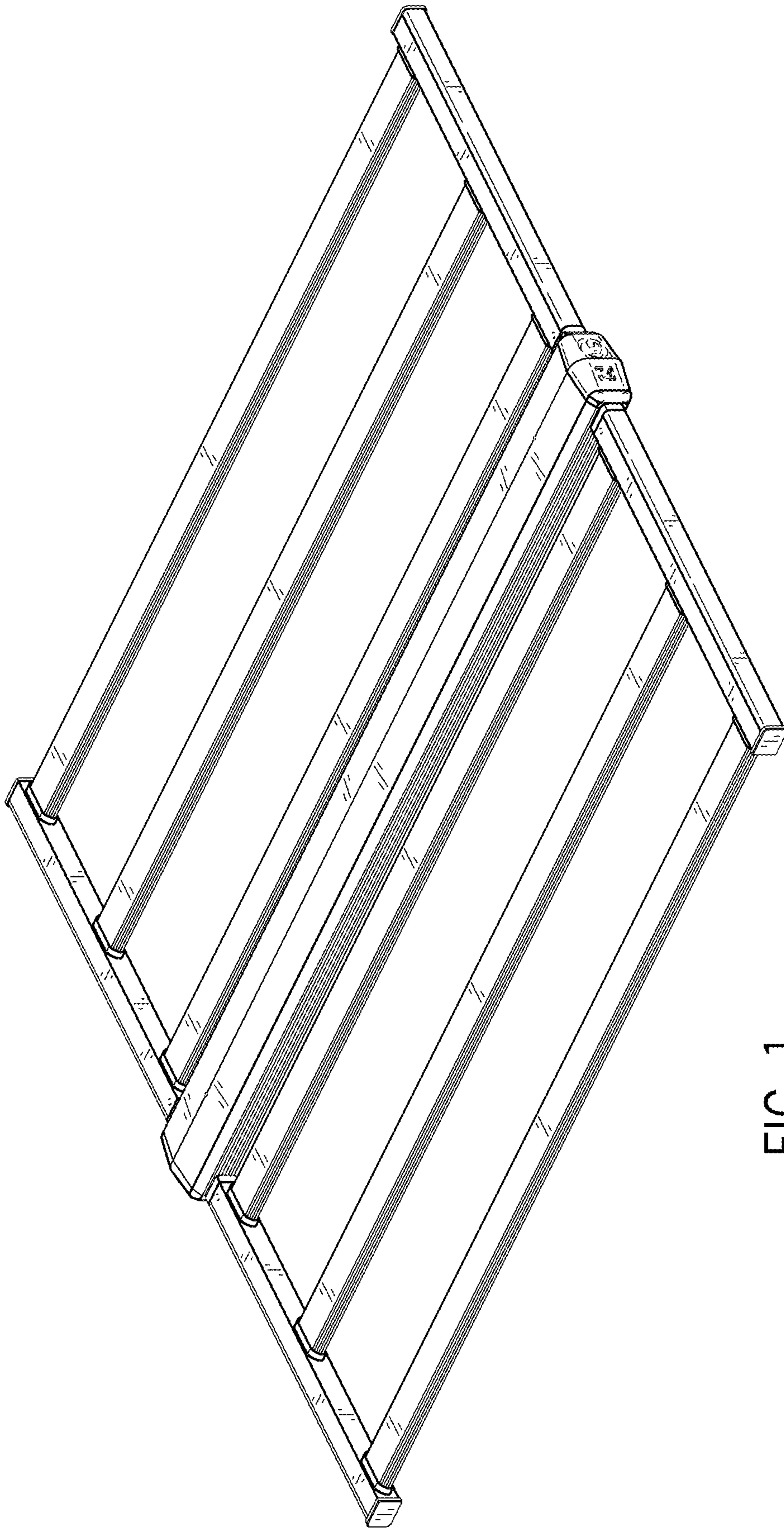


FIG. 1



FIG. 2

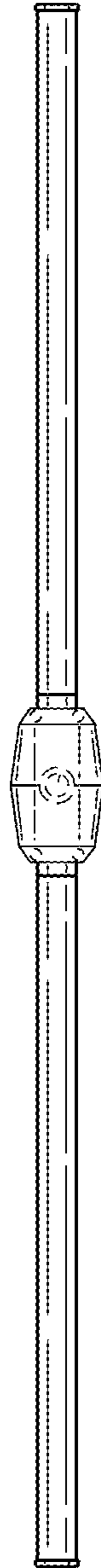


FIG. 3

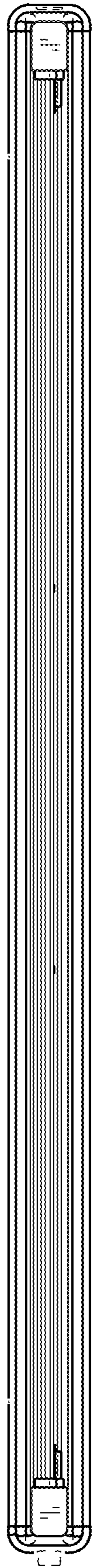


FIG. 4

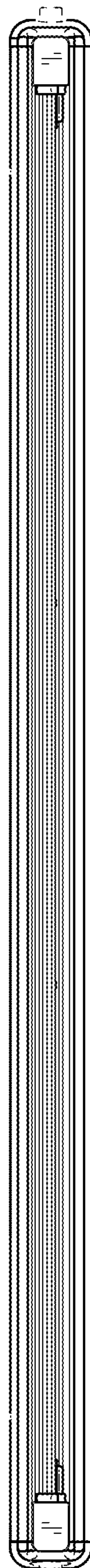


FIG. 5

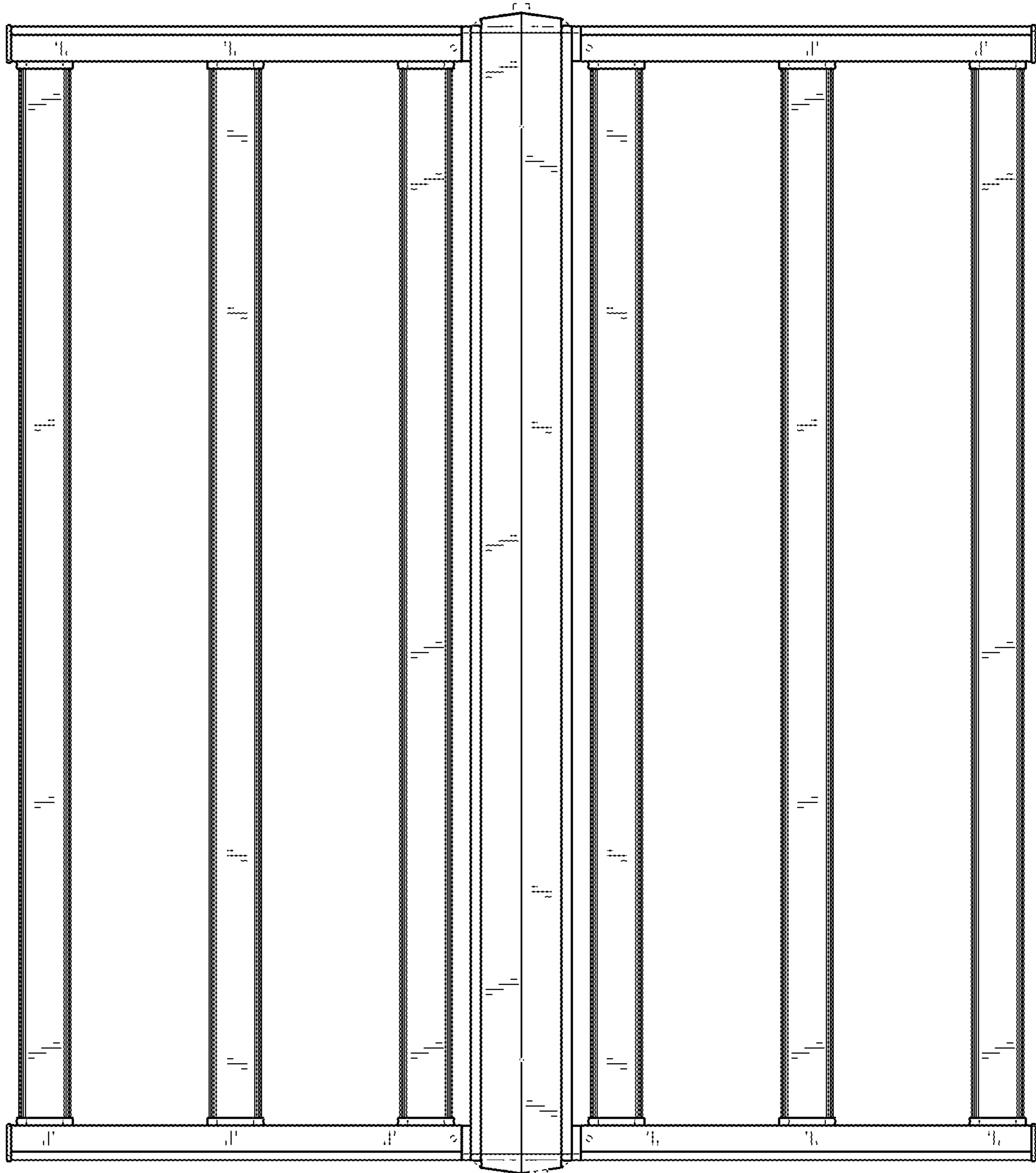


FIG. 6

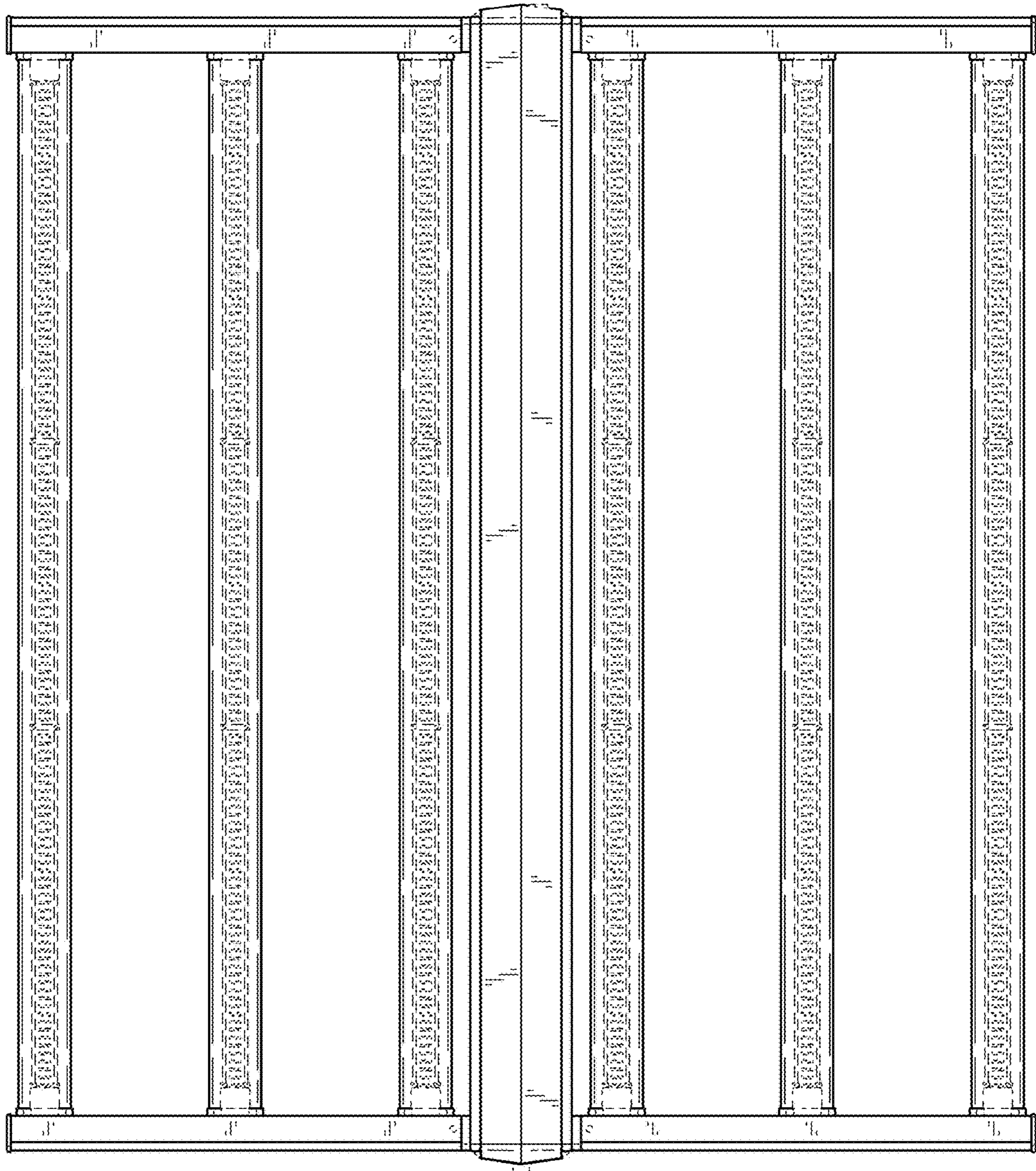


FIG. 7