



US00D949453S

(12) **United States Design Patent**  
**Zhang**

(10) **Patent No.:** **US D949,453 S**

(45) **Date of Patent:** **\*\* Apr. 19, 2022**

(54) **LAMP**

D930,217 S \* 9/2021 Johnson ..... D26/85  
D936,263 S \* 11/2021 Yang ..... D26/60  
11,168,872 B2 \* 11/2021 May ..... H02G 3/32

(71) Applicant: **Xianren Zhang**, Shenzhen (CN)

(72) Inventor: **Xianren Zhang**, Shenzhen (CN)

(\*\*) Term: **15 Years**

(21) Appl. No.: **29/783,576**

(22) Filed: **May 13, 2021**

(51) **LOC (13) Cl.** ..... **26-05**

(52) **U.S. Cl.**  
USPC ..... **D26/72**

(58) **Field of Classification Search**  
USPC ..... D26/60, 72, 76, 78, 80, 85, 89  
CPC .... F21S 8/03; F21S 8/031; F21S 8/033; F21S  
8/038; F21S 8/04; F21S 8/046  
See application file for complete search history.

(56) **References Cited**

**U.S. PATENT DOCUMENTS**

D155,488 S *	10/1949	Crockett	.....	D26/60
D446,877 S *	8/2001	Lester	.....	D26/72
D536,467 S *	2/2007	Geringer	.....	D26/60
D581,080 S *	11/2008	Mier-Langner	.....	D26/63
D607,598 S *	1/2010	Xiao	.....	D26/80
D611,172 S	3/2010	Lin		
D690,870 S *	10/2013	Ng	.....	D26/80
9,004,716 B2 *	4/2015	Ai	.....	F21V 23/06 362/219
D731,102 S *	6/2015	Zemel	.....	D26/60
D799,733 S *	10/2017	Recker	.....	D26/76
D831,257 S *	10/2018	Boulangier	.....	D26/76
D851,805 S *	6/2019	Chen	.....	D26/76
D880,752 S *	4/2020	Yu	.....	D26/76

**OTHER PUBLICATIONS**

LED Closet Light, ASIN: B09G986J8N available from amazon.com Sep. 26, 2021. (Year: 2021).\*

Dimmable Touch Bunk Bed Lights Stick ASIN: B08V8KVGJQ available from amazon.com May 27, 2021. (Year: 2021).\*

\* cited by examiner

*Primary Examiner* — Clare E Heflin

(74) *Attorney, Agent, or Firm* — Justin Lampel

(57) **CLAIM**

The ornamental design for a lamp, as shown and described.

**DESCRIPTION**

FIG. 1 is a perspective view of a lamp showing the claimed design;

FIG. 2 is a top plan view thereof;

FIG. 3 is a left side view thereof;

FIG. 4 is a front elevational view thereof;

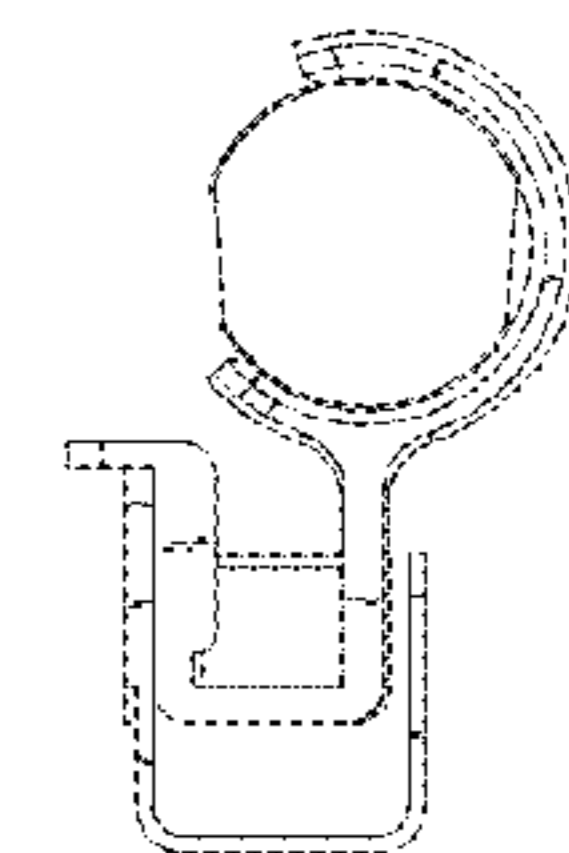
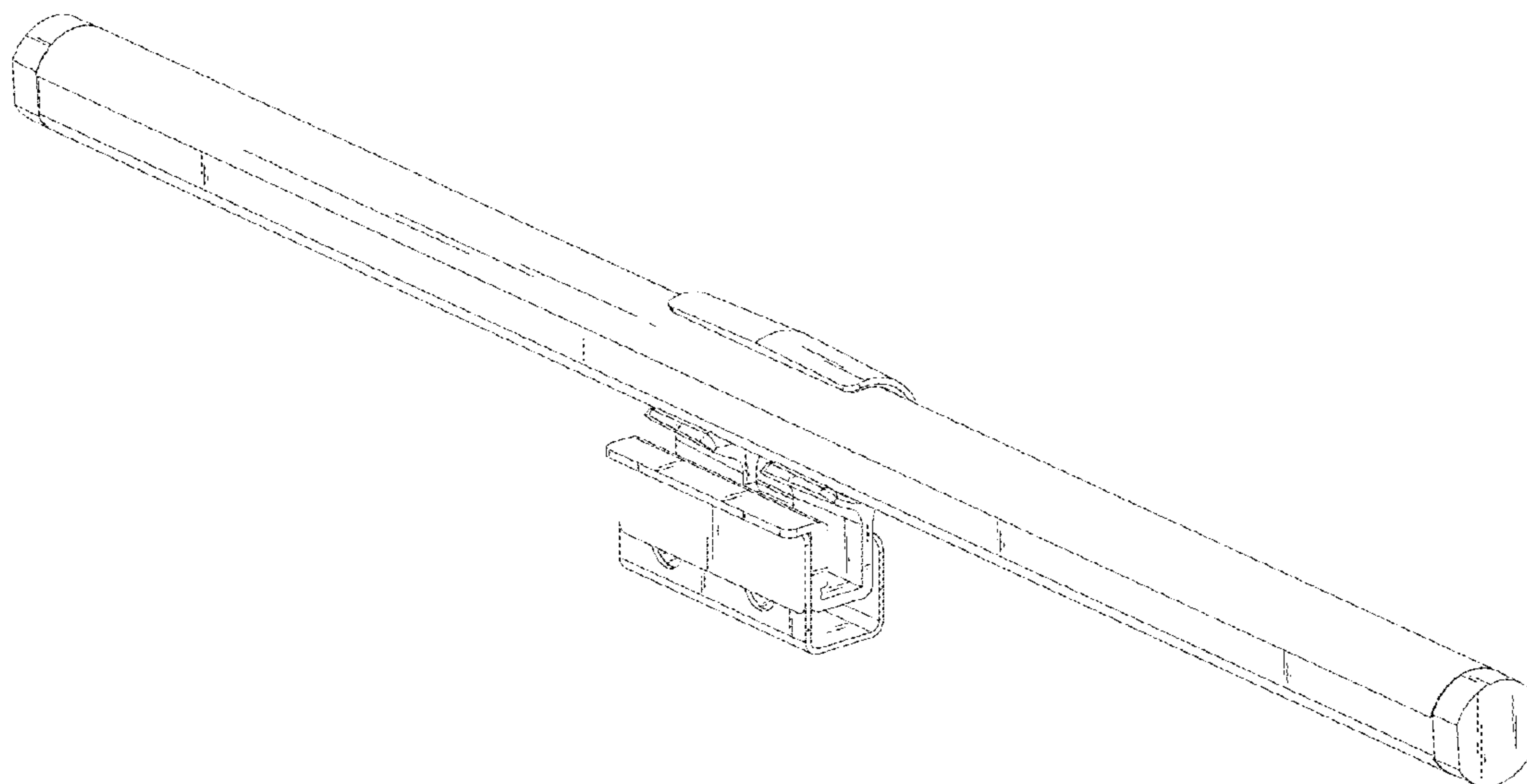
FIG. 5 is a right side view thereof;

FIG. 6 is a rear elevational view thereof; and,

FIG. 7 is a bottom plan view thereof.

The broken lines illustrate portions of the lamp that form no part of the claimed design.

**1 Claim, 7 Drawing Sheets**



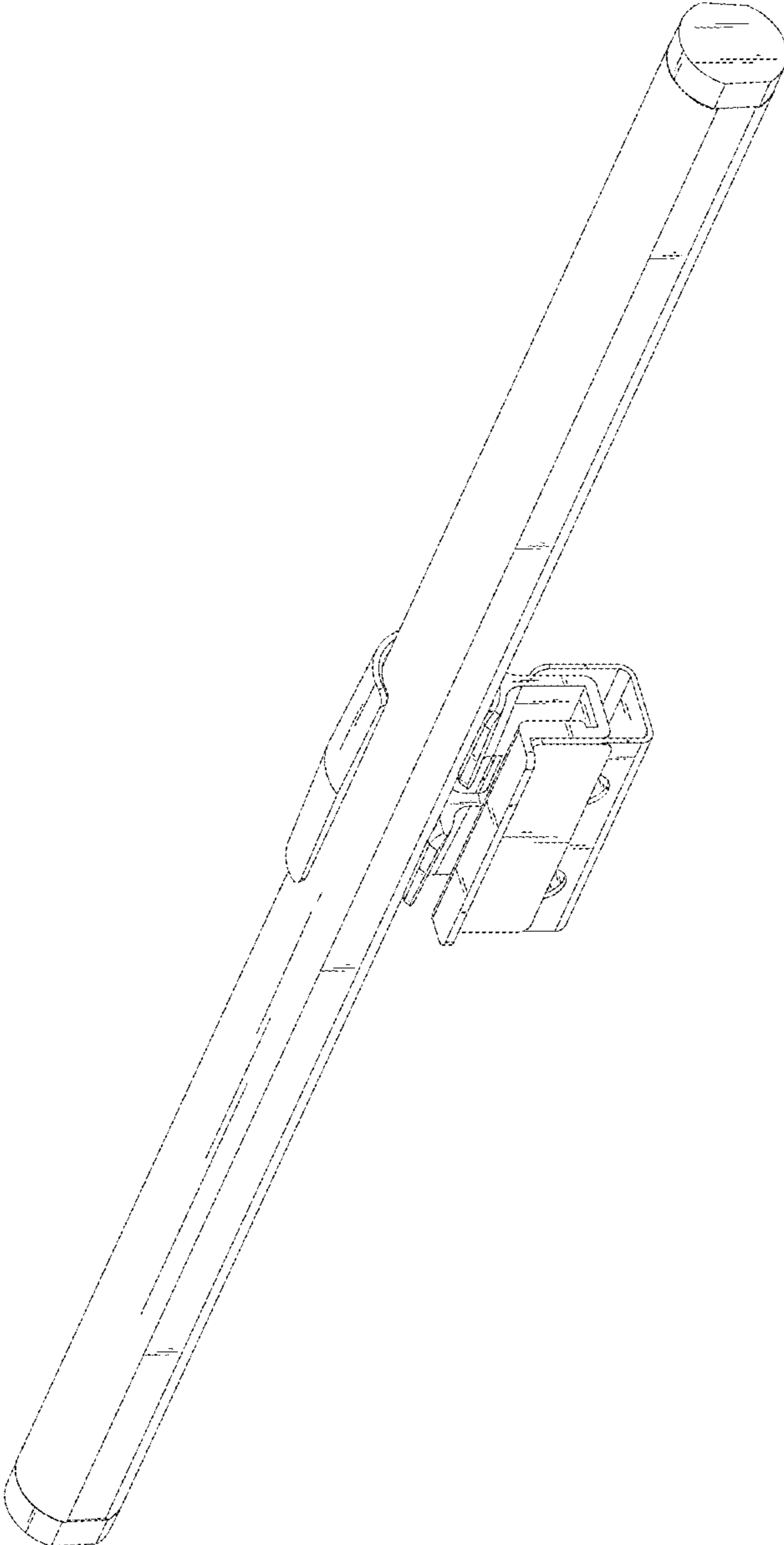


FIG. 1

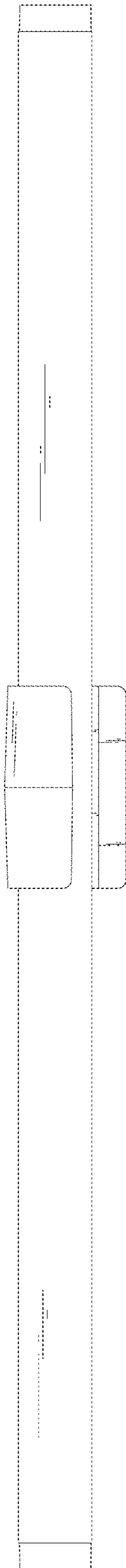


FIG. 2

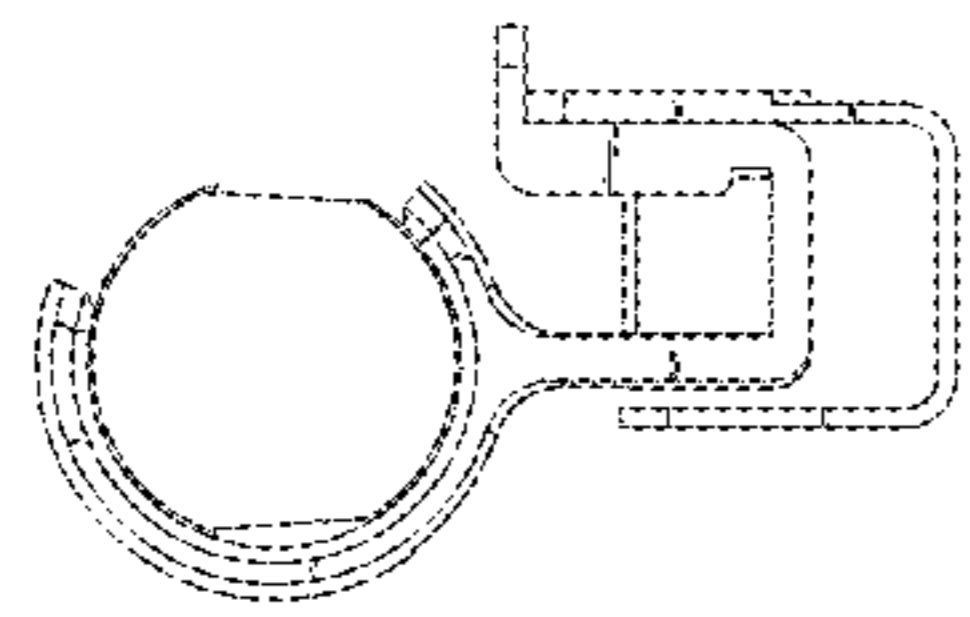


FIG. 3

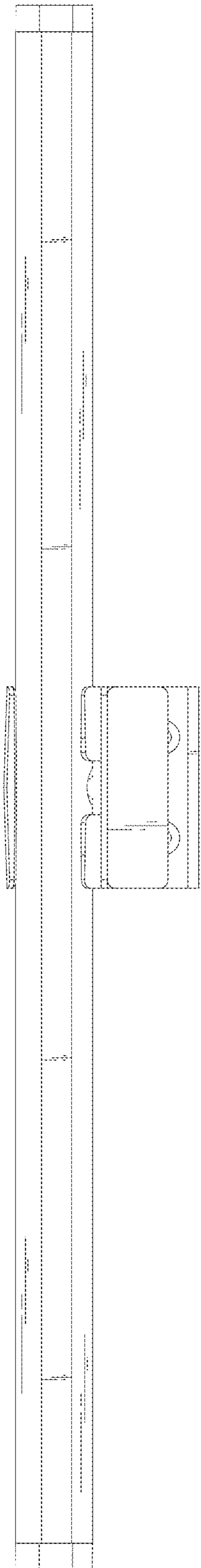


FIG. 4

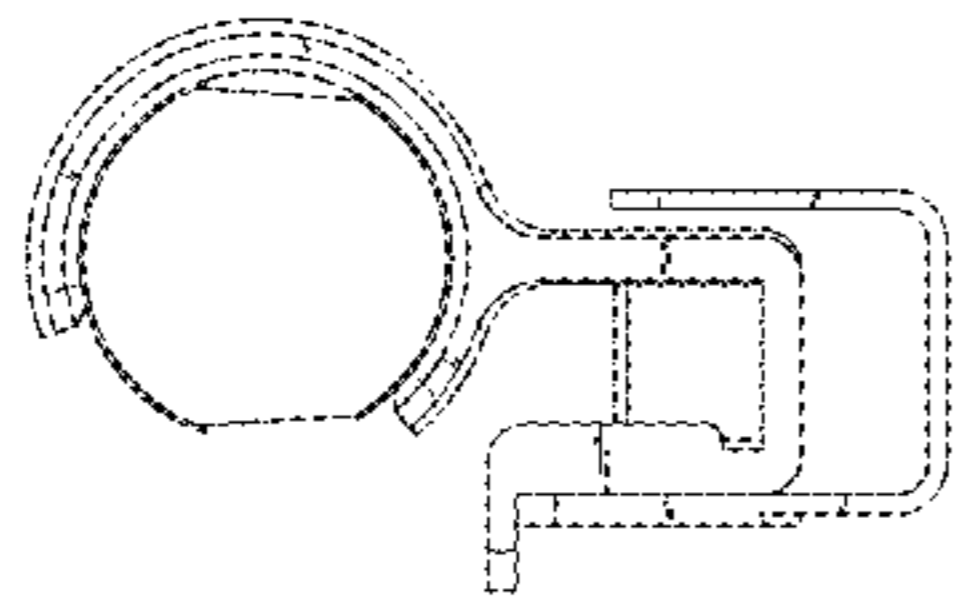


FIG. 5

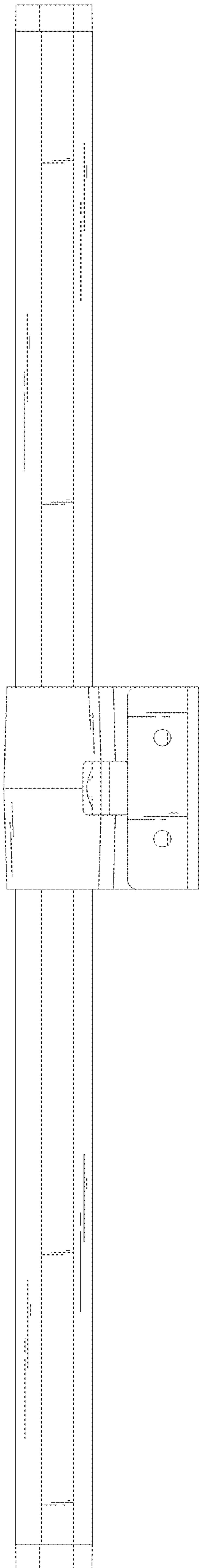


FIG. 6

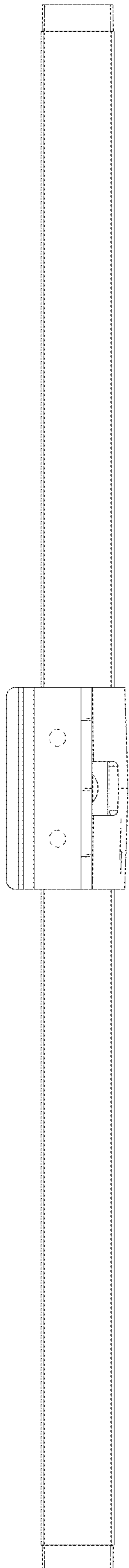


FIG. 7