

US00D949452S

(12) **United States Design Patent**
Zeng et al.

(10) **Patent No.:** **US D949,452 S**
(45) **Date of Patent:** **** Apr. 19, 2022**

(54) **SOLAR LAMP**

(71) Applicant: **Zhejiang Twinsei Electronic Technology Co., Ltd., Zhejiang (CN)**

(72) Inventors: **Xueren Zeng, Zhejiang (CN); Qian Xu, Zhejiang (CN); Zhenzhong Kong, Zhejiang (CN); Jiawei Li, Zhejiang (CN); Tenghai He, Zhejiang (CN); Xiaofeng Tang, Zhejiang (CN); Jinglin Zheng, Zhejiang (CN)**

(73) Assignee: **Zhejiang Twinsei Electronic Technology Co., Ltd., Ningbo (CN)**

(**) Term: **15 Years**

(21) Appl. No.: **29/755,859**

(22) Filed: **Oct. 23, 2020**

(51) **LOC (13) Cl.** **26-05**

(52) **U.S. Cl.**
USPC **D26/67**

(58) **Field of Classification Search**
USPC D26/40, 41, 67-70, 85, 8, 11, 19, 22
CPC F21S 8/03; F21S 8/033; F21S 8/036; F21S 8/081; F21S 9/037; F21W 2111/02; F21W 2111/023; F21W 2131/109
See application file for complete search history.

(56) **References Cited**

U.S. PATENT DOCUMENTS

D491,685 S *	6/2004	Pu	D26/67
D494,698 S *	8/2004	Hon	D26/67
D499,832 S *	12/2004	Chen	D26/68
D639,991 S *	6/2011	Chen	D26/68
D678,575 S *	3/2013	Chen	D26/67
D678,576 S *	3/2013	Chen	D26/67
D822,251 S *	7/2018	Chen	D26/67
D824,069 S *	7/2018	Chen	D26/67

D882,143 S *	4/2020	Sooferian	D26/67
2018/0187846 A1 *	7/2018	Cohen	F21V 11/00
2018/0209594 A1 *	7/2018	Parisi	F21S 9/037
2020/0263856 A1 *	8/2020	Ko	F21V 15/02

OTHER PUBLICATIONS

Hampton Bay—14 Lumens Solar Black LED Metal and Glass Landscape Pathway Light, Model #NXT-P2501-12. Available from homedepot.com as early as Jan. 24, 2021. (Year: 2021).*

Gigalumi Brown Solar Powered Integrated LED Metal Pathway Light Pack. Available from wayfair.com as early as Jan. 10, 2021. (Year: 2021).*

LIGHTSMAX Outdoor Solar Black LED Path Light, Model #PWLA64X8. Available from homedepot.com as early as Apr. 9, 2021. (Year: 2021).*

* cited by examiner

Primary Examiner — Clare E Heflin

(57) **CLAIM**

The ornamental design for a solar lamp, as shown and described.

DESCRIPTION

FIG. 1 is a top perspective view of a solar lamp showing our new design;

FIG. 2 is a bottom perspective view thereof;

FIG. 3 is a left side view thereof;

FIG. 4 is a right side view thereof;

FIG. 5 is a front elevational view thereof;

FIG. 6 is a rear elevational view thereof;

FIG. 7 is a top plan view thereof; and,

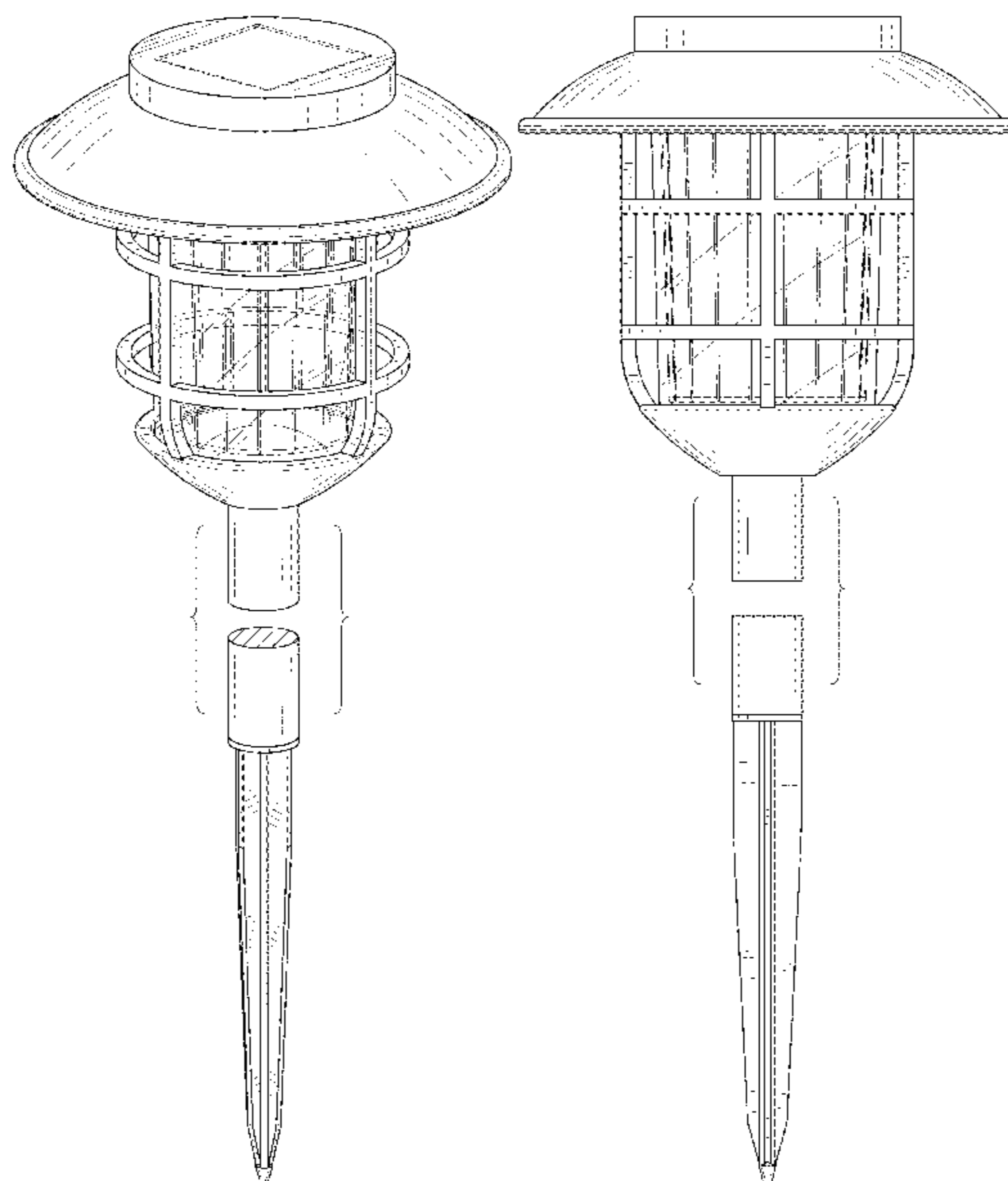
FIG. 8 is a bottom plan view thereof.

The broken lines in the drawings illustrate portions of the solar lamp which form no part of the claimed design.

The solar lamp is shown with a symbolic break in its length.

The appearance of any portion of the article between the break lines forms no part of the claimed design.

1 Claim, 8 Drawing Sheets



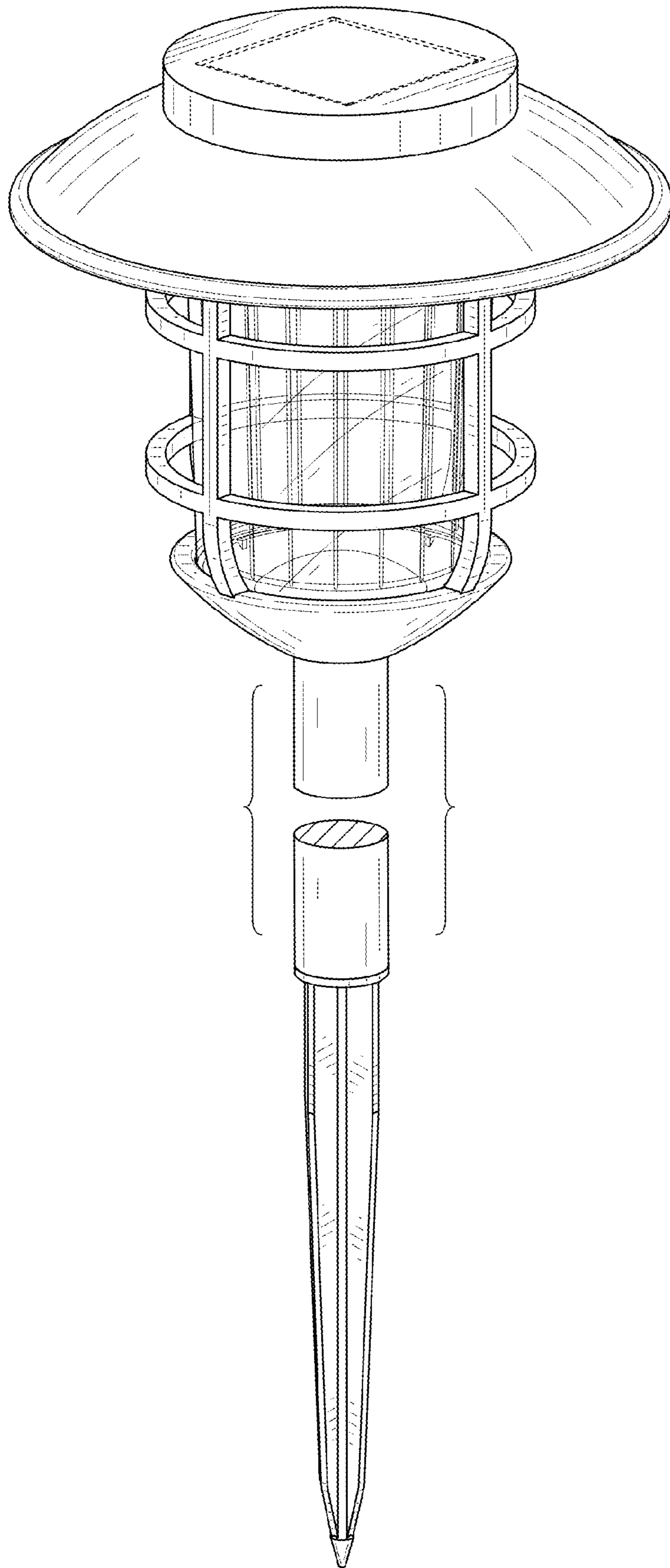


FIG. 1

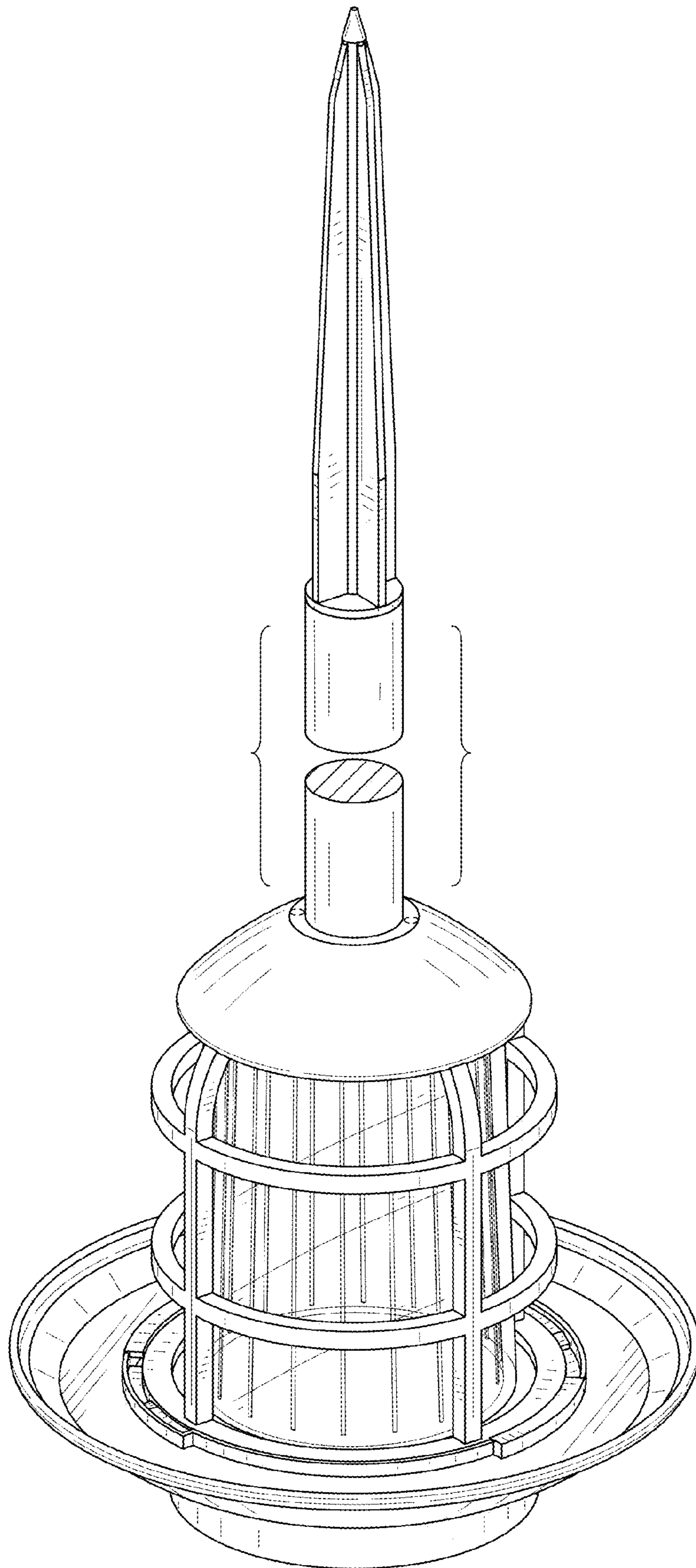


FIG. 2

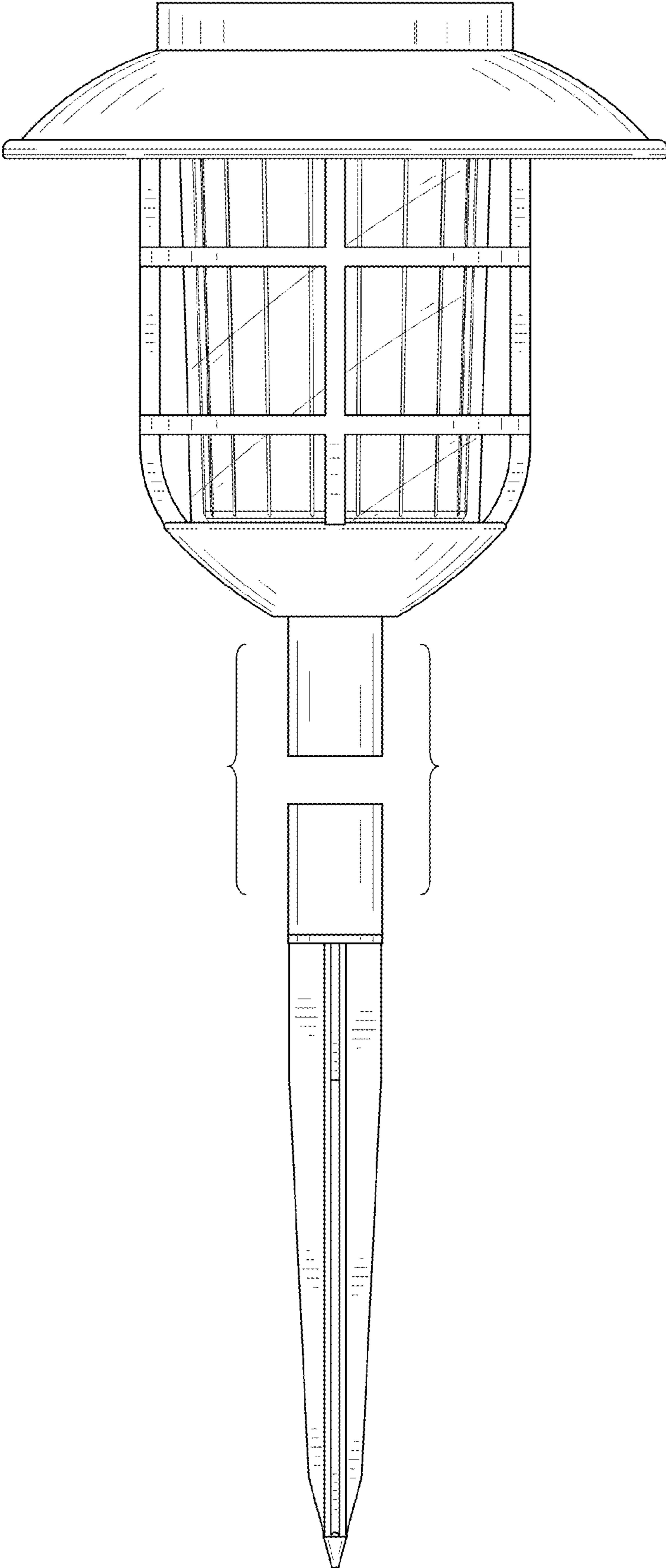


FIG. 3

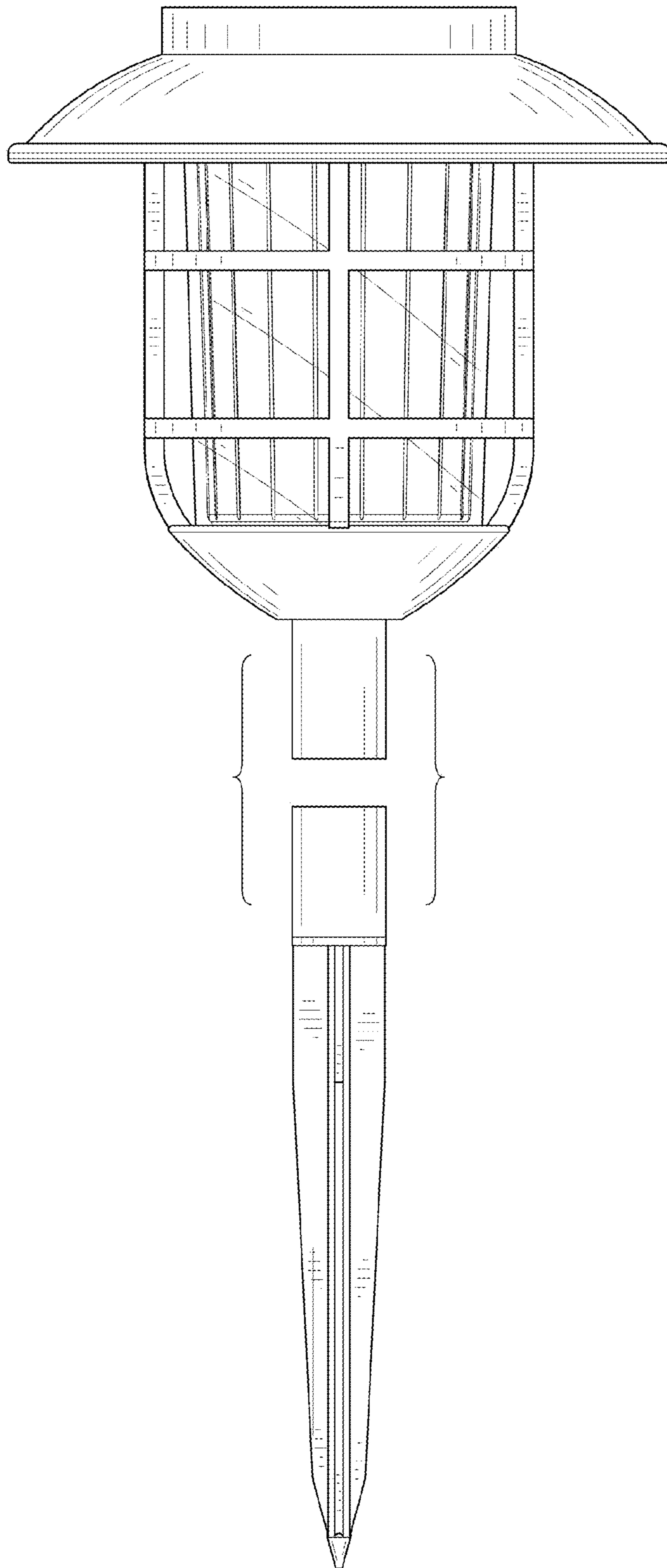


FIG. 4

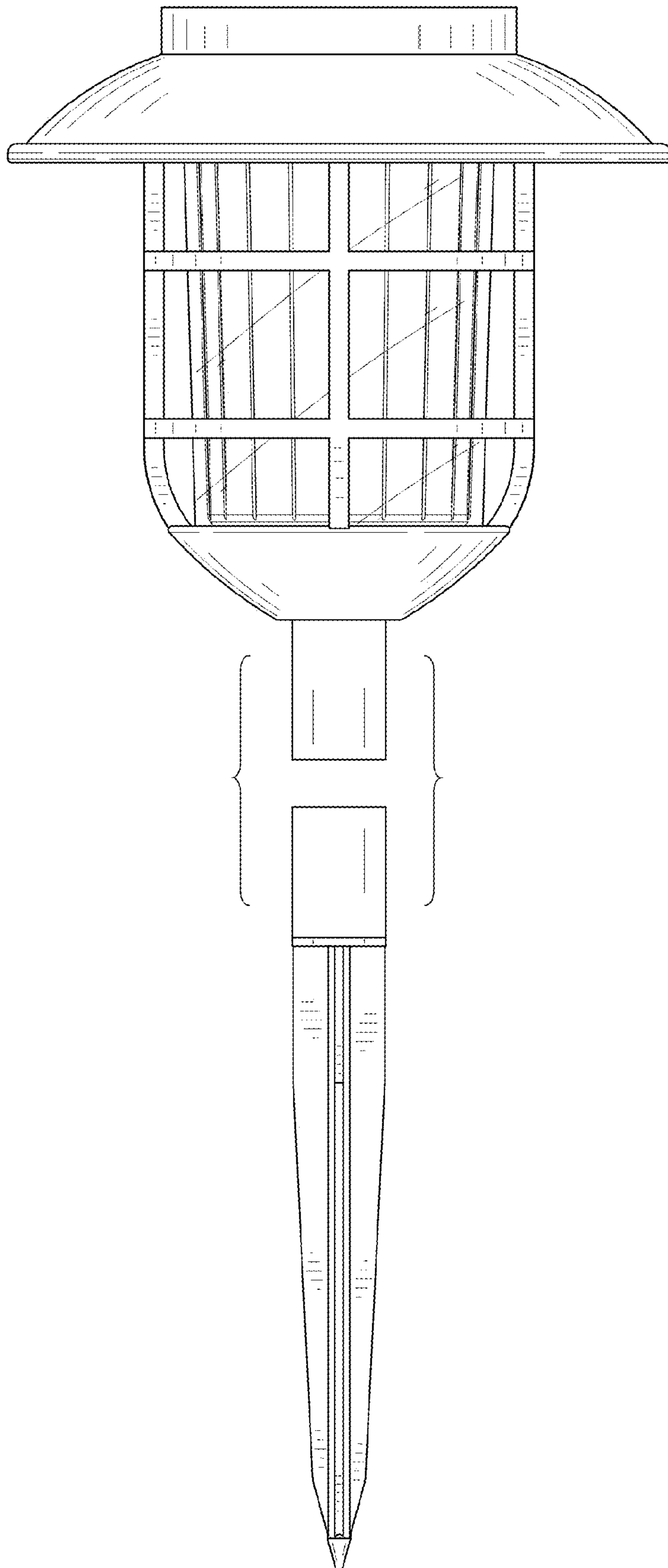


FIG. 5

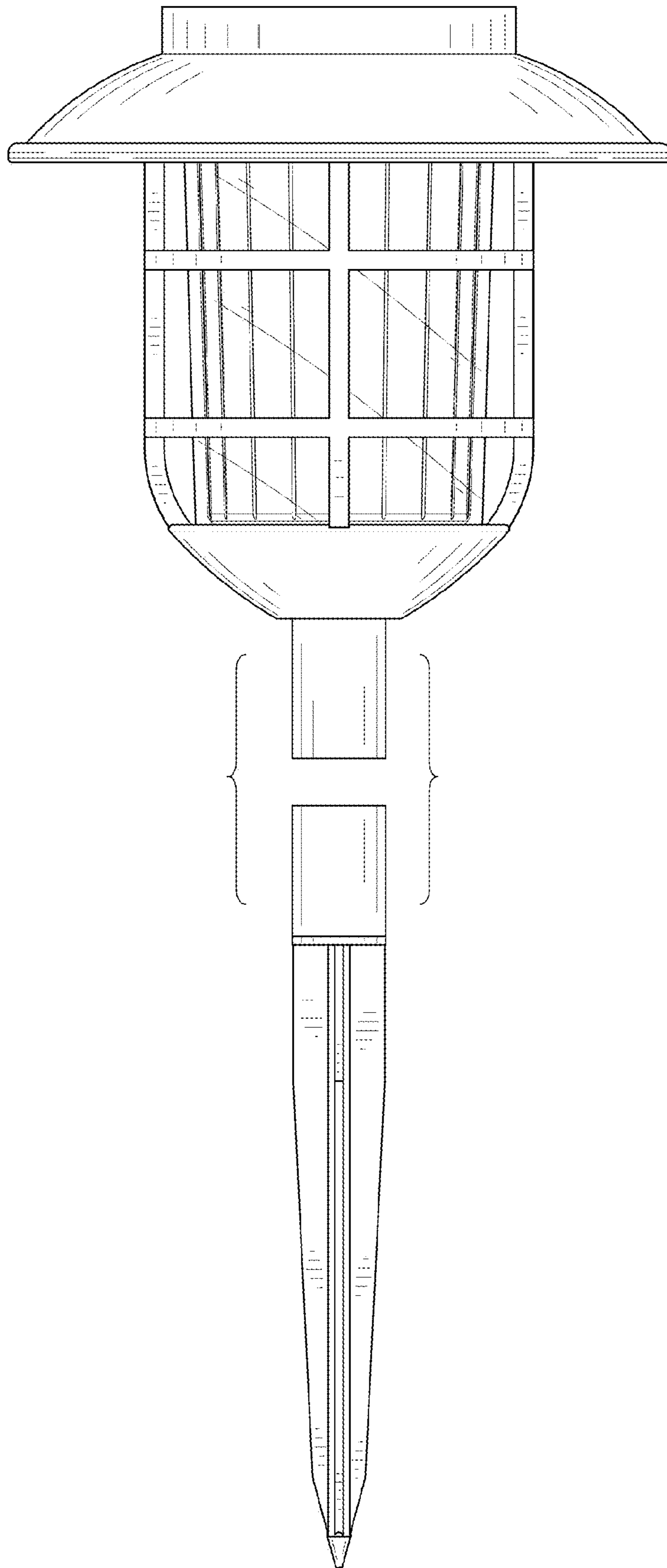


FIG. 6

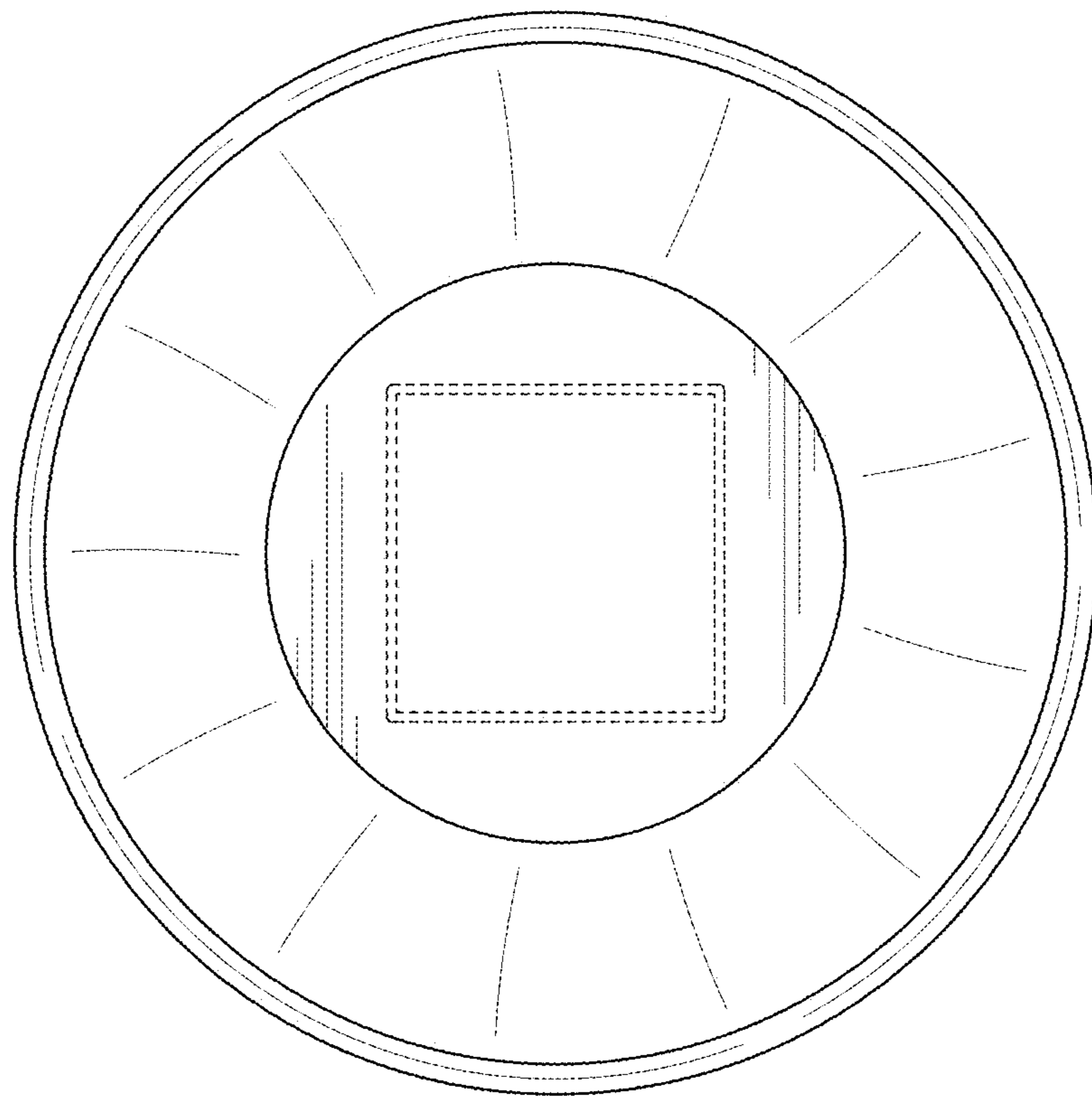


FIG. 7

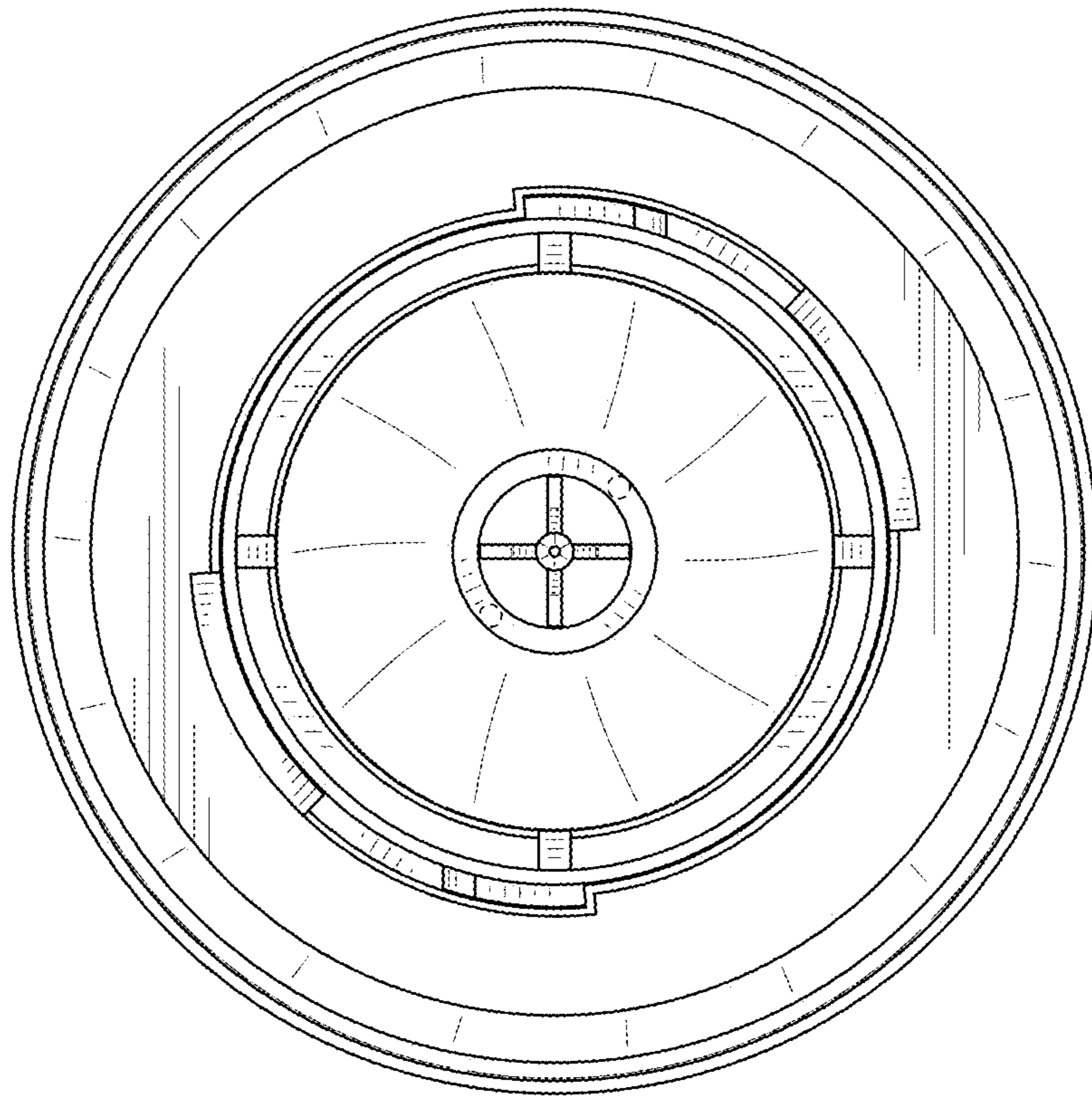


FIG. 8

UNITED STATES PATENT AND TRADEMARK OFFICE
CERTIFICATE OF CORRECTION

PATENT NO. : D949,452 S
APPLICATION NO. : 29/755859
DATED : April 19, 2022
INVENTOR(S) : Xueren Zeng et al.

Page 1 of 1

It is certified that error appears in the above-identified patent and that said Letters Patent is hereby corrected as shown below:

On the Title Page

Item (71), the correct applicant should be:
Zhejiang Twinsel Electronic Technology Co., Ltd.

Item (73), the correct assignee should be:
Zhejiang Twinsel Electronic Technology Co., Ltd.

Signed and Sealed this
Fourth Day of April, 2023



Katherine Kelly Vidal
Director of the United States Patent and Trademark Office