



US00D949448S

(12) **United States Design Patent**
Guthrie

(10) **Patent No.:** **US D949,448 S**

(45) **Date of Patent:** **** Apr. 19, 2022**

(54) **CEILING FAN LIGHT KIT**

(71) Applicant: **HUNTER FAN COMPANY,**
Memphis, TN (US)

(72) Inventor: **Benjamin Scotti Guthrie,**
Germantown, TN (US)

(73) Assignee: **Hunter Fan Company,** Memphis, TN
(US)

(**) Term: **15 Years**

(21) Appl. No.: **29/710,985**

(22) Filed: **Oct. 28, 2019**

Related U.S. Application Data

(62) Division of application No. 29/624,621, filed on Nov. 2, 2017, now Pat. No. Des. 868,956, which is a division of application No. 29/557,579, filed on Mar. 10, 2016, now Pat. No. Des. 808,508.

(51) **LOC (13) Cl.** **26-05**

(52) **U.S. Cl.**
USPC **D26/59**

(58) **Field of Classification Search**
USPC D23/370, 377, 379, 385, 411; D26/59
CPC F04D 25/088; F04D 29/38; F04D 29/384;
F04D 29/386; F21V 33/0096
See application file for complete search history.

(56) **References Cited**

U.S. PATENT DOCUMENTS

D90,063 S *	6/1933	Dasher	D23/377
D112,847 S	1/1939	Roffy		
D132,865 S	6/1942	Drollinger		
D133,120 S	7/1942	Spear		
D295,555 S *	5/1988	Greenberg	D23/377
D298,454 S *	11/1988	Clyde-Mason	D23/377
5,097,398 A	3/1992	Dye		

D329,087 S *	9/1992	Markwardt	D23/377
D345,790 S *	4/1994	Caldwell	D23/377
D382,637 S	8/1997	Lee		
D408,515 S *	4/1999	Evans	D23/377
D424,188 S *	5/2000	Liu	D23/377
D438,950 S	3/2001	Frampton		
D485,002 S	1/2004	Lin		
D506,821 S	6/2005	Chen		
D517,202 S	3/2006	Tat		
D520,633 S	5/2006	Tai		
D556,930 S	12/2007	Ertze		
D561,325 S	2/2008	Shirahama et al.		
D583,923 S *	12/2008	Bucher	D23/377
D596,737 S	7/2009	Pan		
D601,240 S	9/2009	Klausing et al.		
D619,238 S	7/2010	Hidalgo		

(Continued)

OTHER PUBLICATIONS

<http://www.modernfan.com/products/solus.html>, Item Specification for the Modern Fan Co Solus, accessed Mar. 8, 2016.

(Continued)

Primary Examiner — Sharon S Oum

(74) *Attorney, Agent, or Firm* — McGarry Bair PC

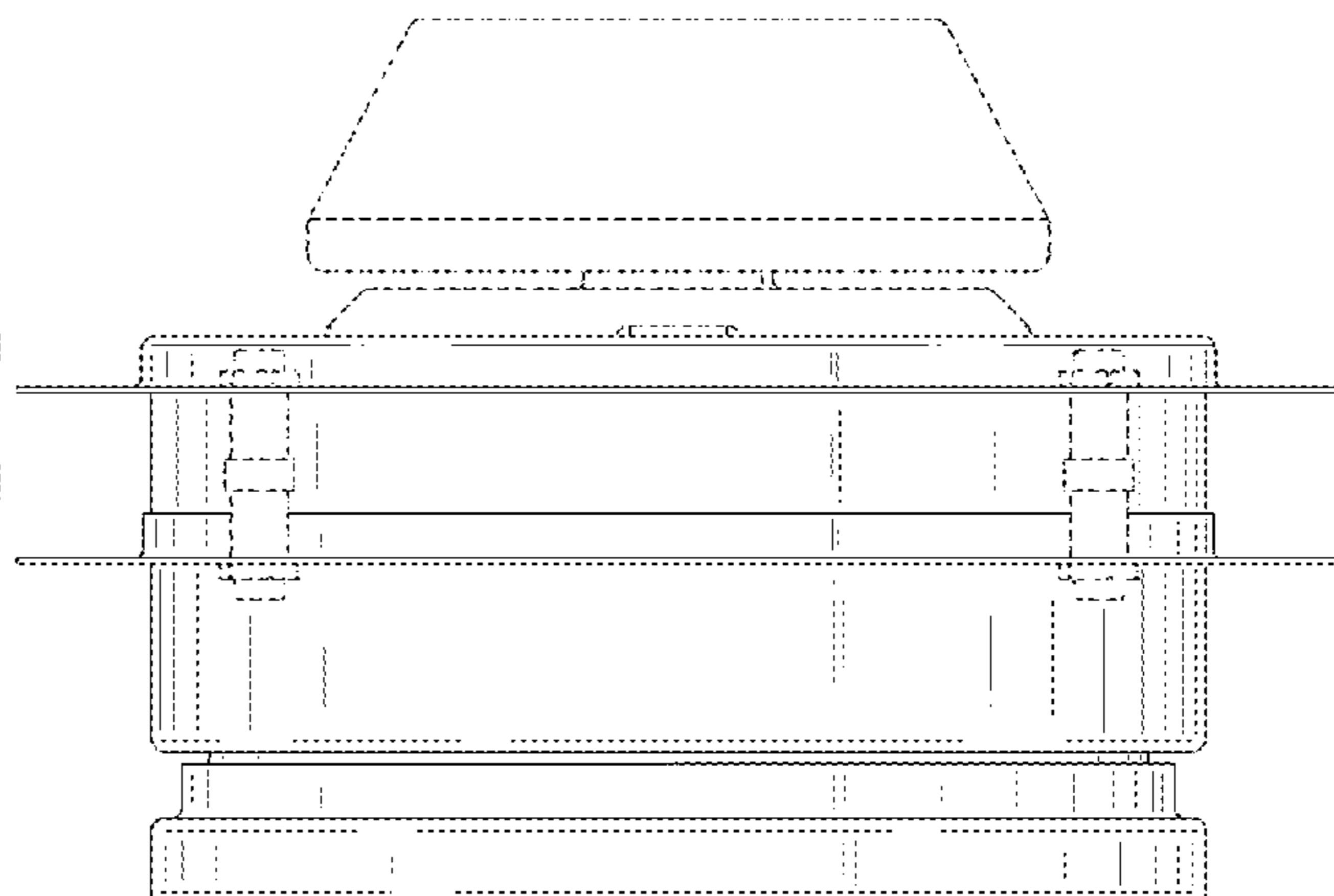
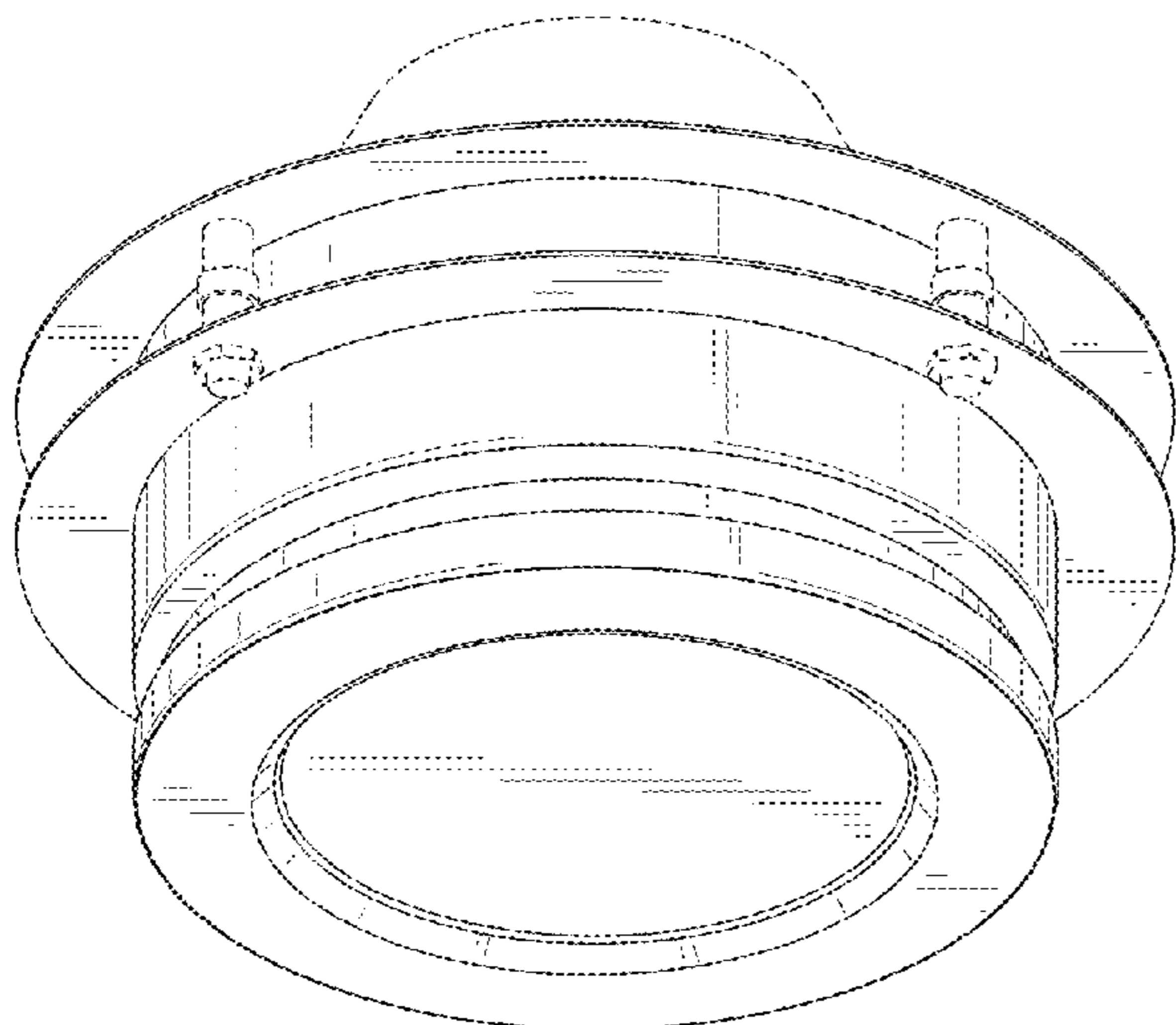
(57) **CLAIM**

The ornamental design for a ceiling fan light kit, as shown and described.

DESCRIPTION

FIG. 1 is a top perspective view of a ceiling fan light kit, showing my new design;
FIG. 2 is a bottom perspective view thereof;
FIG. 3 is a top view thereof;
FIG. 4 is a bottom view thereof; and,
FIG. 5 is a front side view thereof.
The broken lines illustrate portions of the ceiling fan light kit. None of the broken lines form part of the claimed design.

1 Claim, 3 Drawing Sheets



(56)

References Cited

U.S. PATENT DOCUMENTS

D635,237	S	3/2011	Fizer	
D660,952	S	5/2012	Spaggiari	
D671,633	S	11/2012	Glasbrenner	
D700,984	S *	3/2014	Yang	D26/59
D704,819	S	5/2014	Wang	
D704,822	S *	5/2014	Wang	D23/411
D706,919	S	6/2014	Wang	
D717,935	S	11/2014	Strecker et al.	
D728,775	S	5/2015	Gajewski	
D741,988	S	10/2015	Pan	
D743,522	S	11/2015	Pan	
D745,959	S *	12/2015	Ertze	D23/411
D747,452	S *	1/2016	Gajewski	D23/377
D771,235	S	11/2016	Hoff et al.	
D773,637	S *	12/2016	Ertze	D23/411
D774,176	S *	12/2016	Wang	D23/385
D775,318	S *	12/2016	Park	D23/385
D775,319	S *	12/2016	Park	D23/385
D799,020	S *	10/2017	Guthrie	D23/377
D808,508	S	1/2018	Guthrie	
D811,577	S *	2/2018	Yang	D23/411
D814,011	S *	3/2018	McRoberts	D23/377
D814,622	S *	4/2018	Gajewski	D23/377
D868,956	S *	12/2019	Guthrie	D23/411
2016/0111816	A1	4/2016	Walker et al.	

OTHER PUBLICATIONS

<http://www.minkagroup.net/products/f726-orbbn>, Item Specification for The MinkaAire Spectre Model No. F726-ORB/BN, accessed Mar. 8, 2016.

<http://www.minkagroup.net/products/f528-l-bsch>, Item Specification for the MinkaAire San Francisco Model No. F528-L-BS/CH, accessed Mar. 8, 2016.

<http://www.lightingdirect.com/fanimation-mad3255-bpw6030mh-louvre-68-5-blade-dc-ceiling-fan-mahogany-blades-and-remote-control-included/p2547333>, Item Specification for the Fanimation Louvre Model No. MAD3255PW-BPW6030MH Pewter Louvre 68" 5 Blade DC Ceiling Fan—Mahogany Blades and Remote Control Included Item #: BCI2547333, accessed Mar. 8, 2016.

<http://www.homedepot.com/p/Hampton-Bay-Mondrian-52-in-Brushed-Nickel-Ceiling-Fan-AL749-BN/203245484>, Item Specification for the Hampton Bay Mondrian Model # AL749-BN Internet # 203245484 Mondrian 52 in. Brushed Nickel Ceiling Fan, accessed Mar. 8, 2016.

<http://www.minkagroup.net/products/f524-dk>, Item Specification for the MinkaAire Roto Model No. F524-ABD, accessed Mar. 8, 2016.

<http://www.minkagroup.net/products/f523-abd>, Item Specification for the MinkaAire Aluma Model No. F523-ABD, accessed Mar. 8, 2016.

<http://www.homedepot.com/p/Hampton-Bay-Everbilt-54-in-Brushed-Nickel-Ceiling-Fan-14927/202790690>, Item Specification for the Hampton Bay Everbilt Model # 14927 Internet # 202790690 Everbilt 54 in. Brushed Nickel Ceiling Fan, accessed Mar. 8, 2016.

<http://www.homedepot.com/p/Hampton-Bay-Thorton-52-in-Gunmetal-Ceiling-Fan-YG182-GM/100590859>, Item Specification for the

Hampton Bay Thorton Model # YG182-GM Internet # 100590859 Store SKU # 871234 Thorton 52 in. Gunmetal Ceiling Fan, accessed Mar. 8, 2016.

<http://www.hunterpacific.com.au/typhoonM2-timber.php>, Item Specification for the Hunter Pacific Typhoon Timber Mach 2, accessed Mar. 8, 2016.

<http://www.craftmade.com/Craftmade-Velocity-v16.htm>, Item Specification for the Craftmade Velocity Model No. VE58FB3, accessed Mar. 8, 2016.

<http://www.snapdeal.com/product/crompton-greaves-high-speed-1200/646713016>. Item Specification for the Crompton Greaves High Speed Metallic High Speed 1200 mm Ceiling Fan, Item Specification for the accessed Mar. 8, 2016.

<http://www.kichler.com/products/product/52-inch-harbour-walk-patio-fan-tzp-310102tzp.aspx>. Item Specification for the Kichler Harbour Walk Patio Collection 52 Inch Harbour Walk Patio Fan TZP 310102TZP (Tannery Bronze Powder Coat), accessed Mar. 8, 2016.

<http://www.homedepot.com/p/Hampton-Bay-North-Shoreline-46-in-Natural-Iron-Indoor-Outdoor-Ceiling-Fan-with-Light-Kit-51546/205643117>, Item Specification for the Hampton Bay North Shoreline Model # 51546 Internet # 205643117 North Shoreline 46 in. Natural Iron Indoor/Outdoor Ceiling Fan with Light Kit, accessed Mar. 8, 2016.

<http://www.quoruminternational.com/index.cfm/app/productDetail?product=98604-65>, Item Specification for the Quorum International Model No. 98604-65, accessed Mar. 8, 2016.

<http://ceilingfans.emerson.com/shop/en/fan/fans-s-emerson-fans/emerson-fans-browse-all/highpointe-fan-p-cf205>, Item Specification for the Emerson Highpointe Model No. CF205GES, accessed Mar. 8, 2016.

http://www.alibaba.com/product-detail/carbon-steel-hex-flat-head-metal_60098989301.html?spm=a2700.7724857.29.100.7J4G5, Item Specification for the Carbon steel hex flat head metal push rivet, accessed Mar. 8, 2016.

<http://www.casablancafanco.com/Ceiling-Fans/Aris?ModelNumber=59123>, Item Specification for the Casablanca Fan Company Aris Model 59123 Brushed Nickel 4 Mayse Plastic Exclusive blades included, accessed Mar. 8, 2016.

<http://www.hunterfan.com/Ceiling-Fans/Forest-Hill?ModelNumber=52053>, Item Specification for the Hunter Fan Forest Hill 48" Ceiling Fan, 52053 Midas Black Finish 5 Aged Barnwood blades included, accessed Mar. 8, 2016.

<http://www.minkagroup.net/products/f828-bndw>, Item Specification for the MinkaAire Symbio Model No. F828-BN/DW, accessed Mar. 8, 2016.

Savoy House, date first available Jan. 23, 2016, amazon.com, site visited Jul. 14, 2017, Copyright© 1996-2017, Available from Internet, v https://www.amazon.com/Savoy-House-56-Ceiling-180-5CN-109/dp/B01AYQ09YC/ref=sr_1_1?ie=UTF8&qid=1500053000&sr=8-1&keywords=savoy+house+phoebe.

Modern Fan SOL-BA-470 Sol us Brushed Aluminum 52" Ceiling Fan w/ M00-470-BA Light & 587 Blades, date first available Nov. 27, 2015, site visited Jul. 14, 2017, <https://www.amazon.com/Modern-Fan-SOL-BA-470-Aluminum-M00-470-BA/dp/BOON373ZWW/ref=sr_1_1?ie=UTF8&qid=1500046055&sr=8-1&keywords=modern+fan+solus>.

* cited by examiner

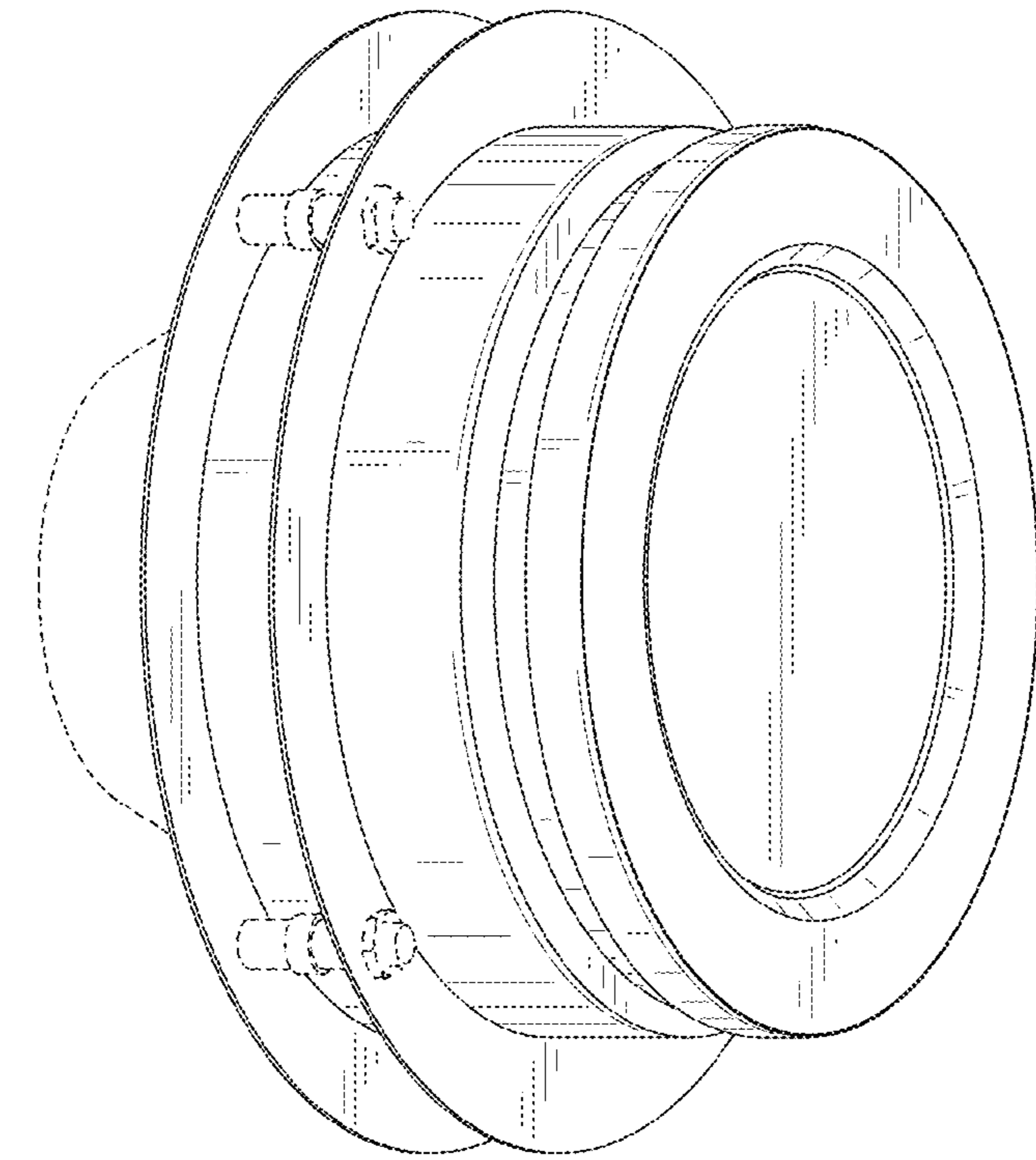


FIG. 2

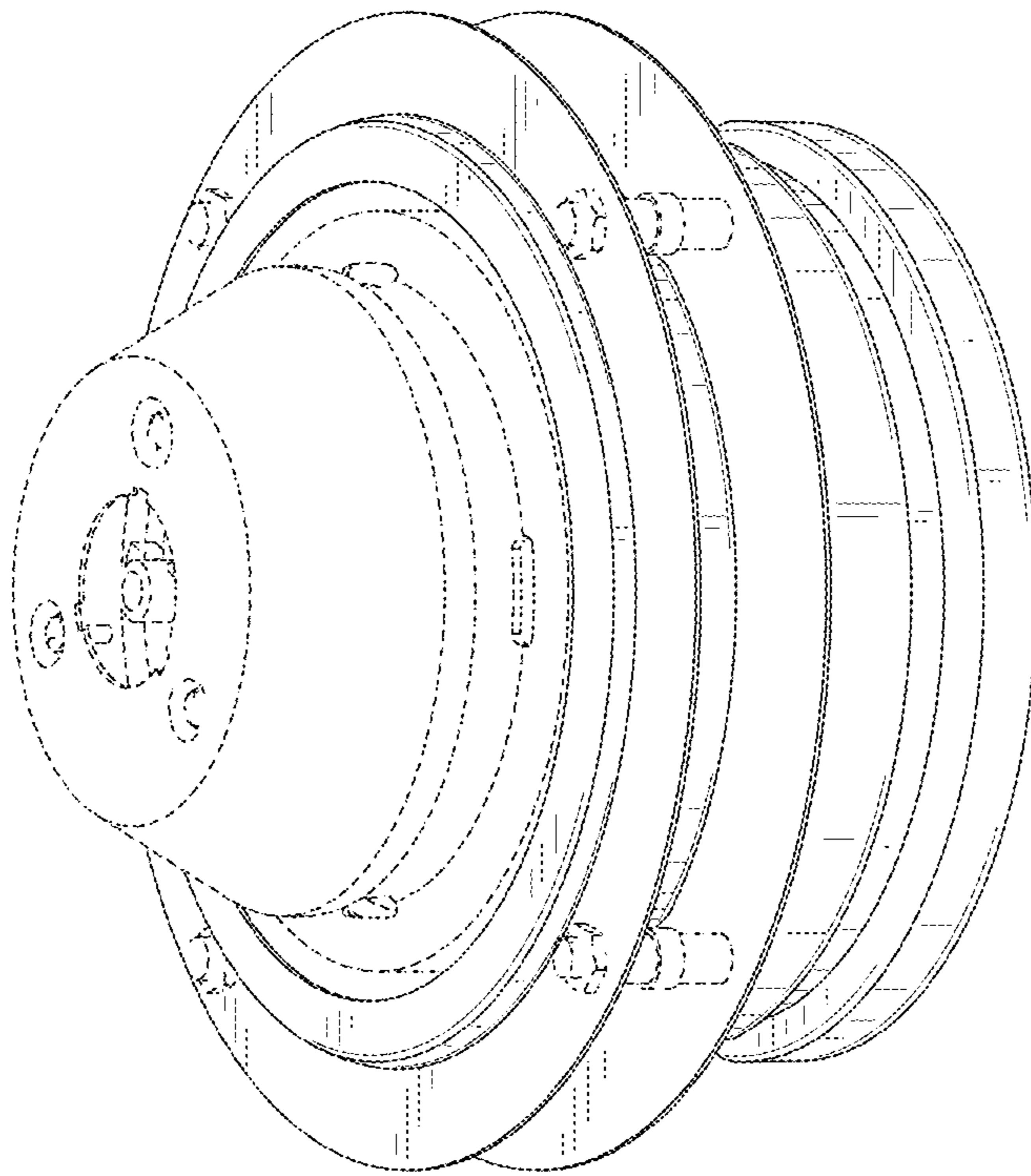


FIG. 1

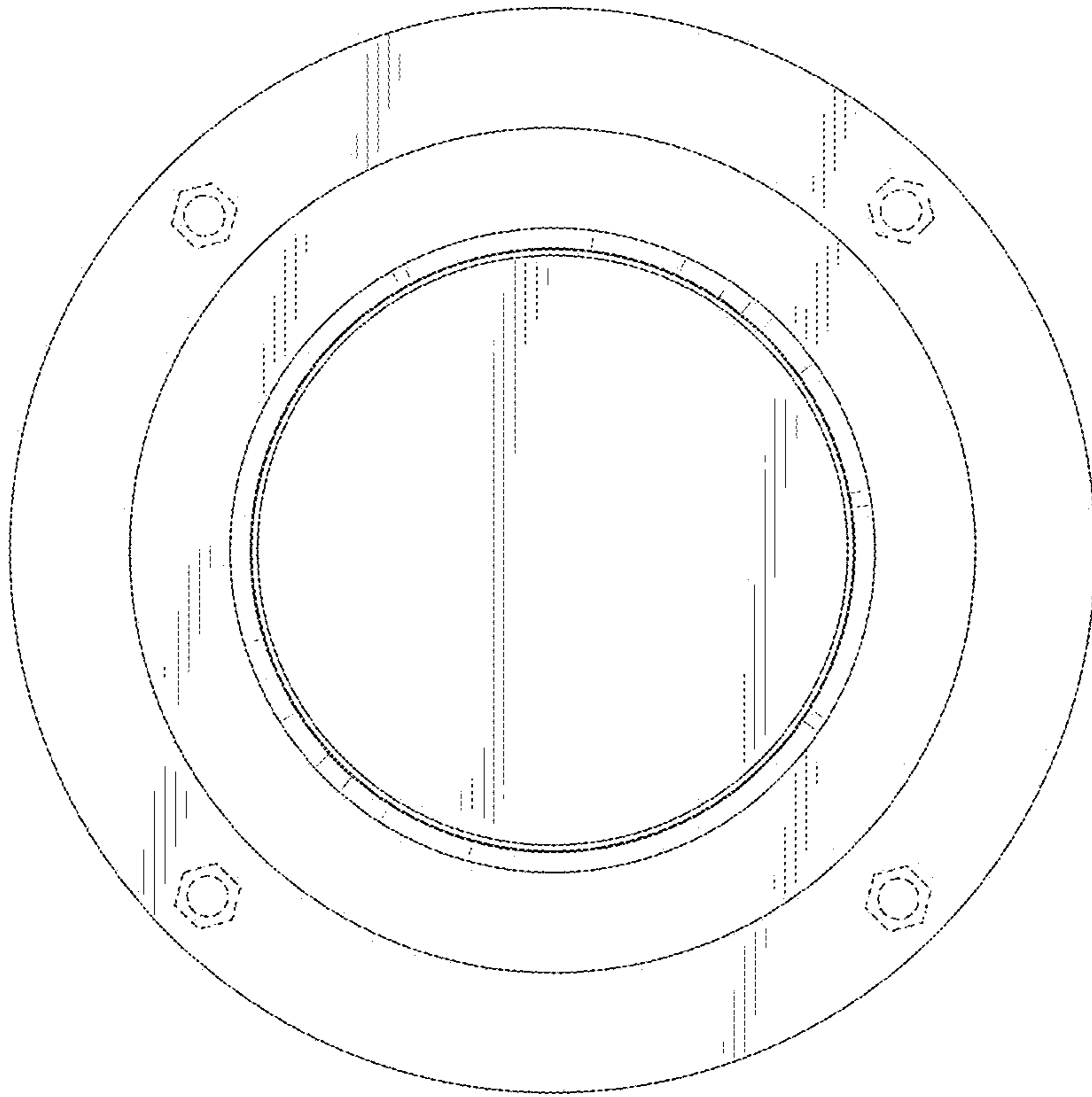


FIG. 4

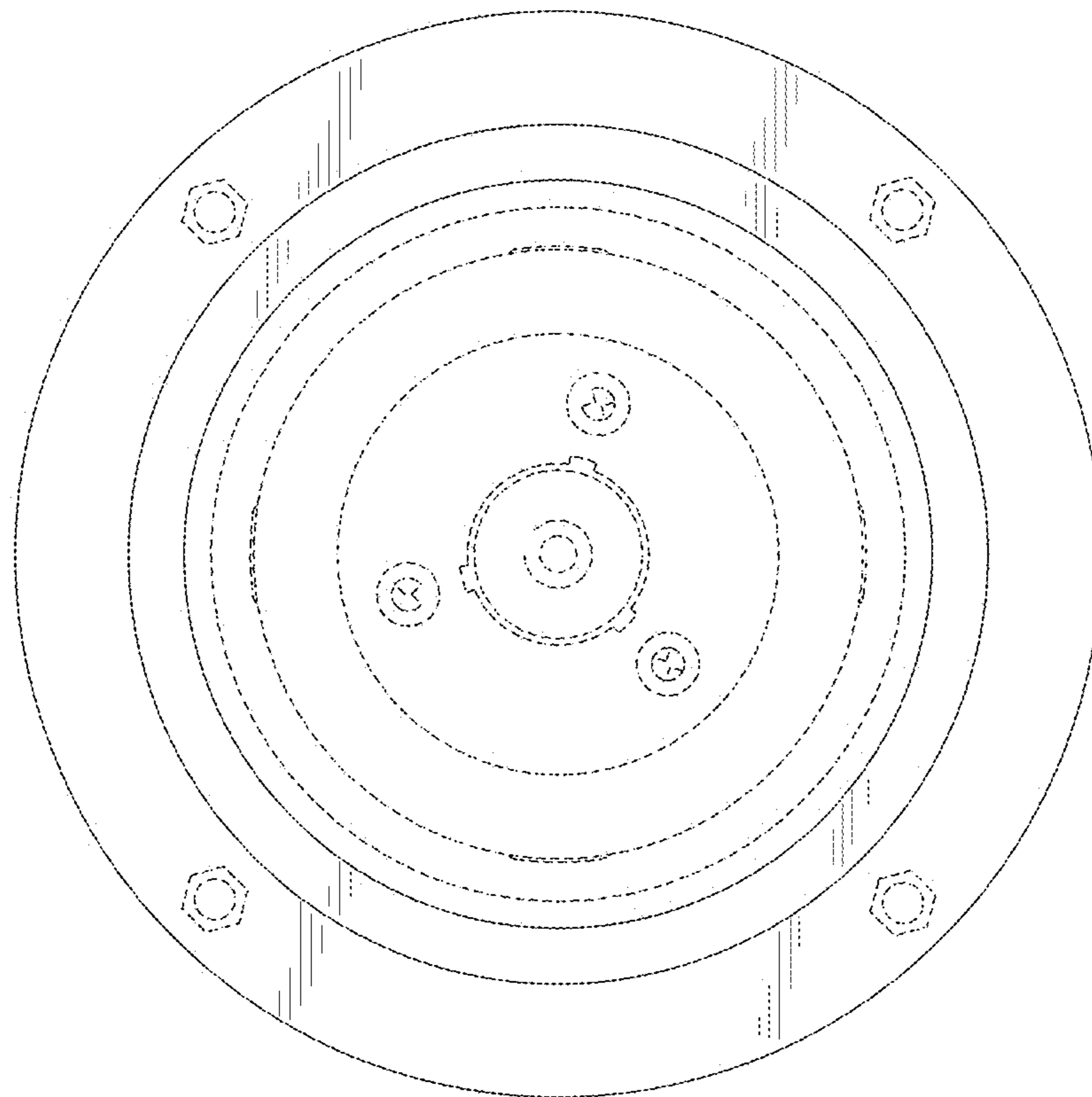


FIG. 3

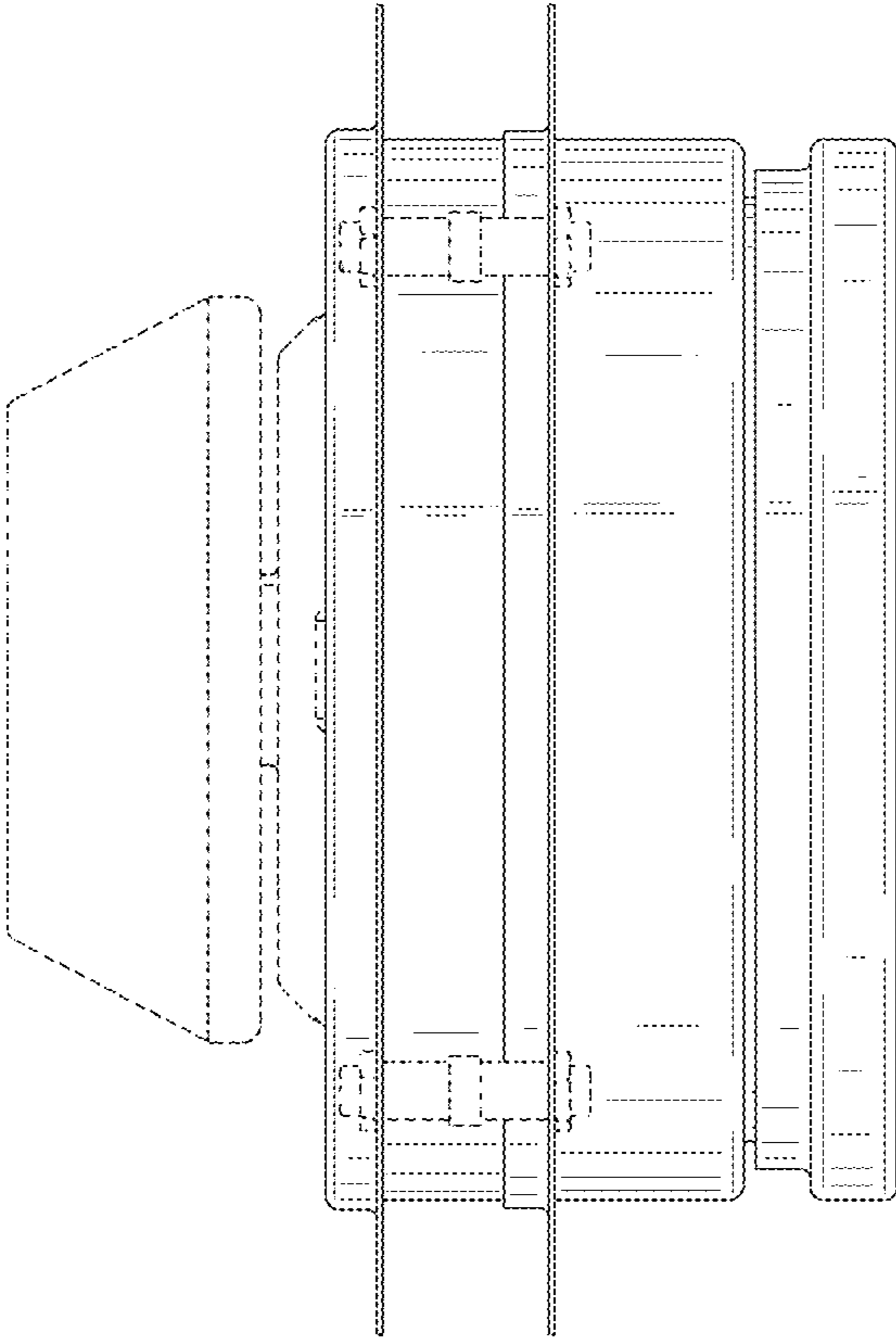


FIG. 5