



US00D949447S

(12) **United States Design Patent**
Feng

(10) **Patent No.:** **US D949,447 S**

(45) **Date of Patent:** **** Apr. 19, 2022**

(54) **POOL LIGHTS**

(71) Applicant: **Xianbo Cao**, Shenzhen (CN)

(72) Inventor: **Qicheng Feng**, Shenzhen (CN)

(**) Term: **15 Years**

(21) Appl. No.: **29/753,183**

(22) Filed: **Sep. 30, 2020**

(51) **LOC (13) Cl.** **26-02**

(52) **U.S. Cl.**
USPC **D26/51**

(58) **Field of Classification Search**
USPC D26/37-51
CPC F21L 4/00; F21L 4/02; F21L 4/04; F21L 4/08; F21L 4/025; F21L 4/027; F21L 7/00; F21L 11/00; F21L 13/00; F21L 13/04; F21L 13/08; F21L 14/02; F21L 17/00; F21L 19/00; F21L 25/00
See application file for complete search history.

(56) **References Cited**

U.S. PATENT DOCUMENTS

D459,825 S 7/2002 Field
D548,385 S * 8/2007 Sharrah D26/51

D551,378 S 9/2007 Nunes
D654,204 S 2/2012 Friesen
D752,266 S * 3/2016 Dall D26/51
D788,361 S 5/2017 Reynolds
D809,070 S 1/2018 Fissell et al.
D927,751 S * 8/2021 Zheng D26/51
D930,876 S * 9/2021 Nobes D26/51

* cited by examiner

Primary Examiner — Marcus A Jackson

(74) *Attorney, Agent, or Firm* — Runit Ranjit Kanakia

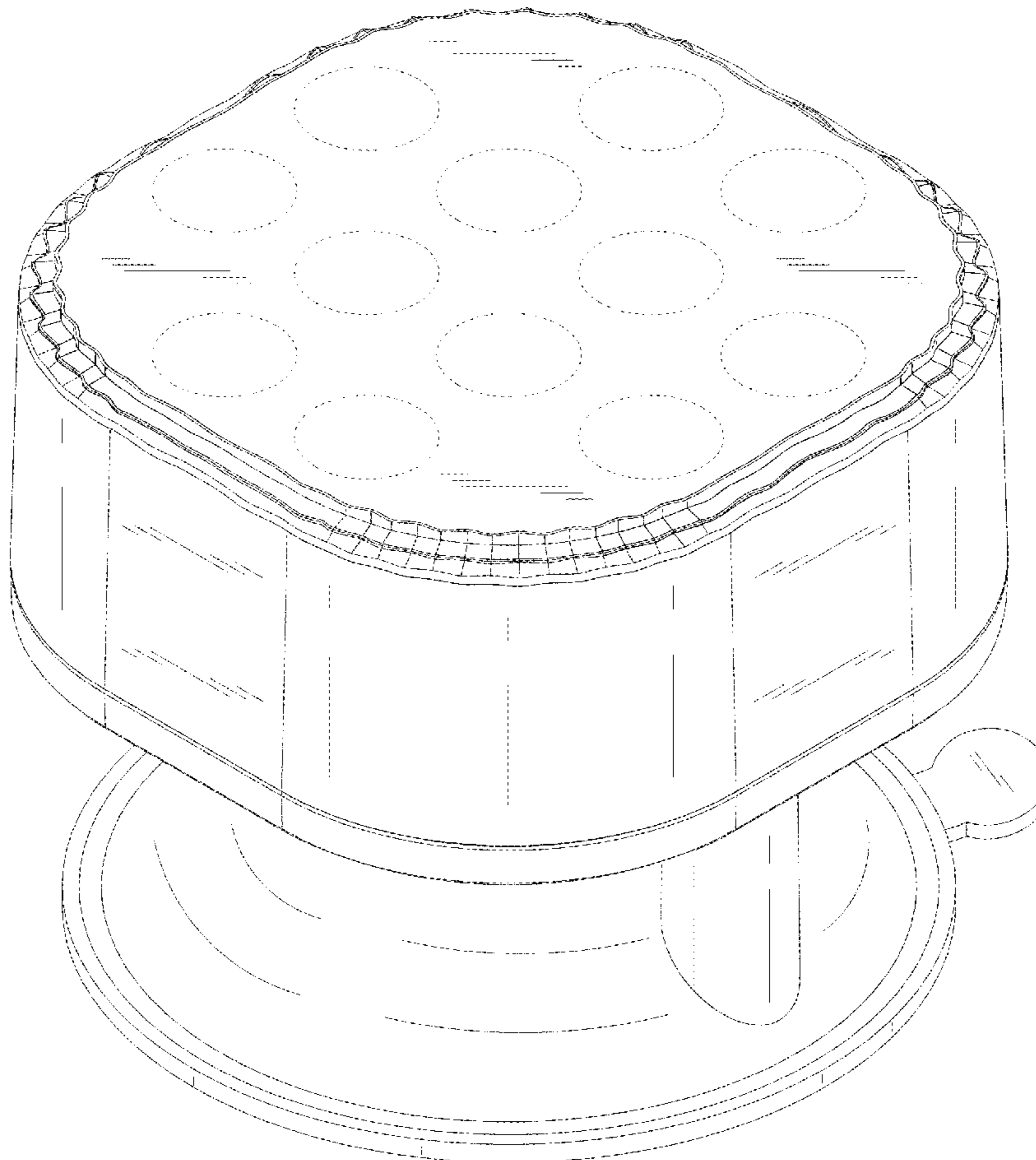
(57) **CLAIM**

I claim the ornamental design for a pool lights, as shown and described.

DESCRIPTION

FIG. 1 is a Perspective view of a pool lights showing my new design;
FIG. 2 is a Front view thereof;
FIG. 3 is a Back view thereof;
FIG. 4 is a Right-side view thereof;
FIG. 5 is a Left-side view thereof;
FIG. 6 is a Top view thereof; and,
FIG. 7 is a Bottom view thereof.
The broken lines are for the purpose of illustrating portions of the article that form no part of the claim.

1 Claim, 7 Drawing Sheets



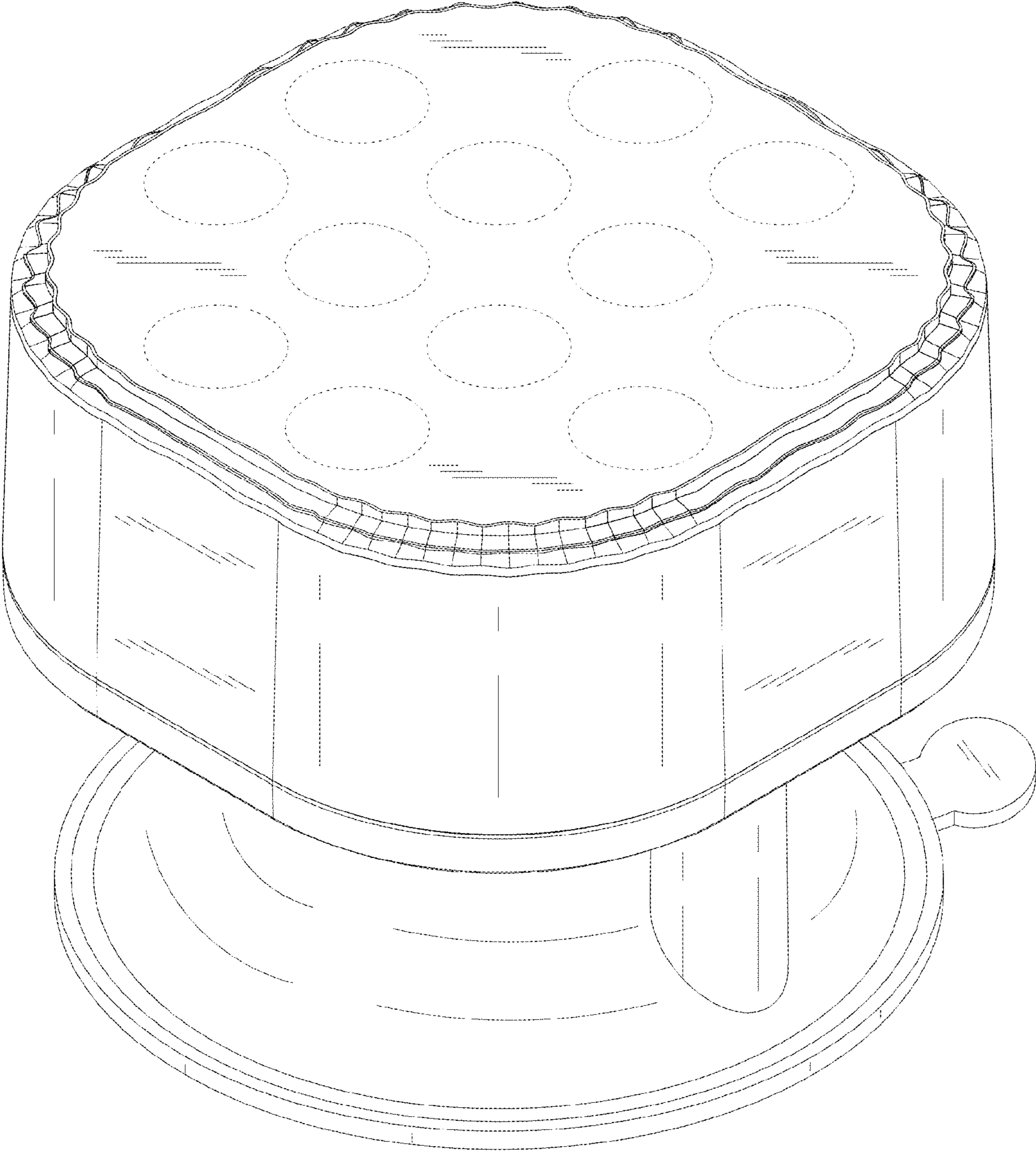


FIG. 1

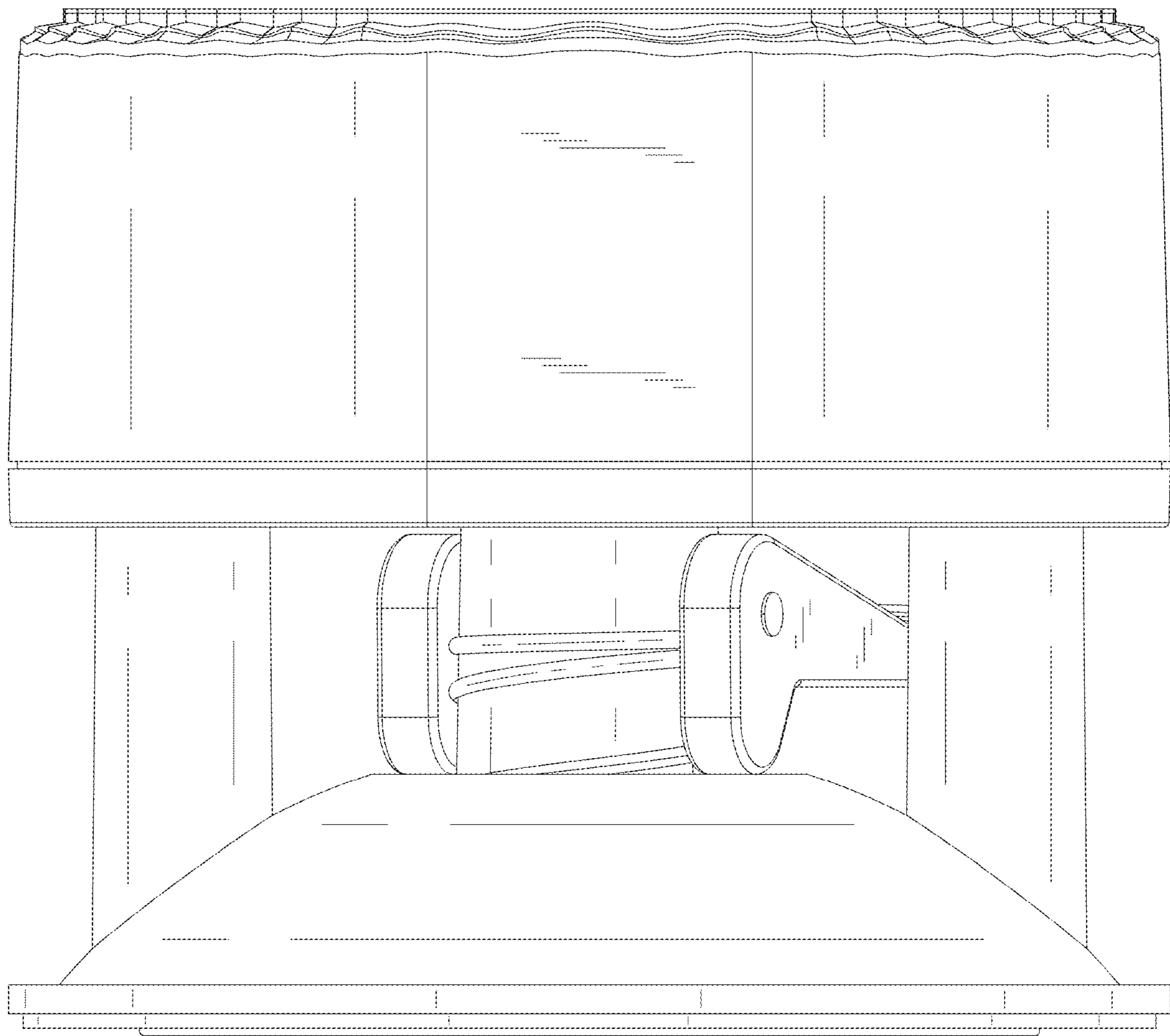


FIG. 2

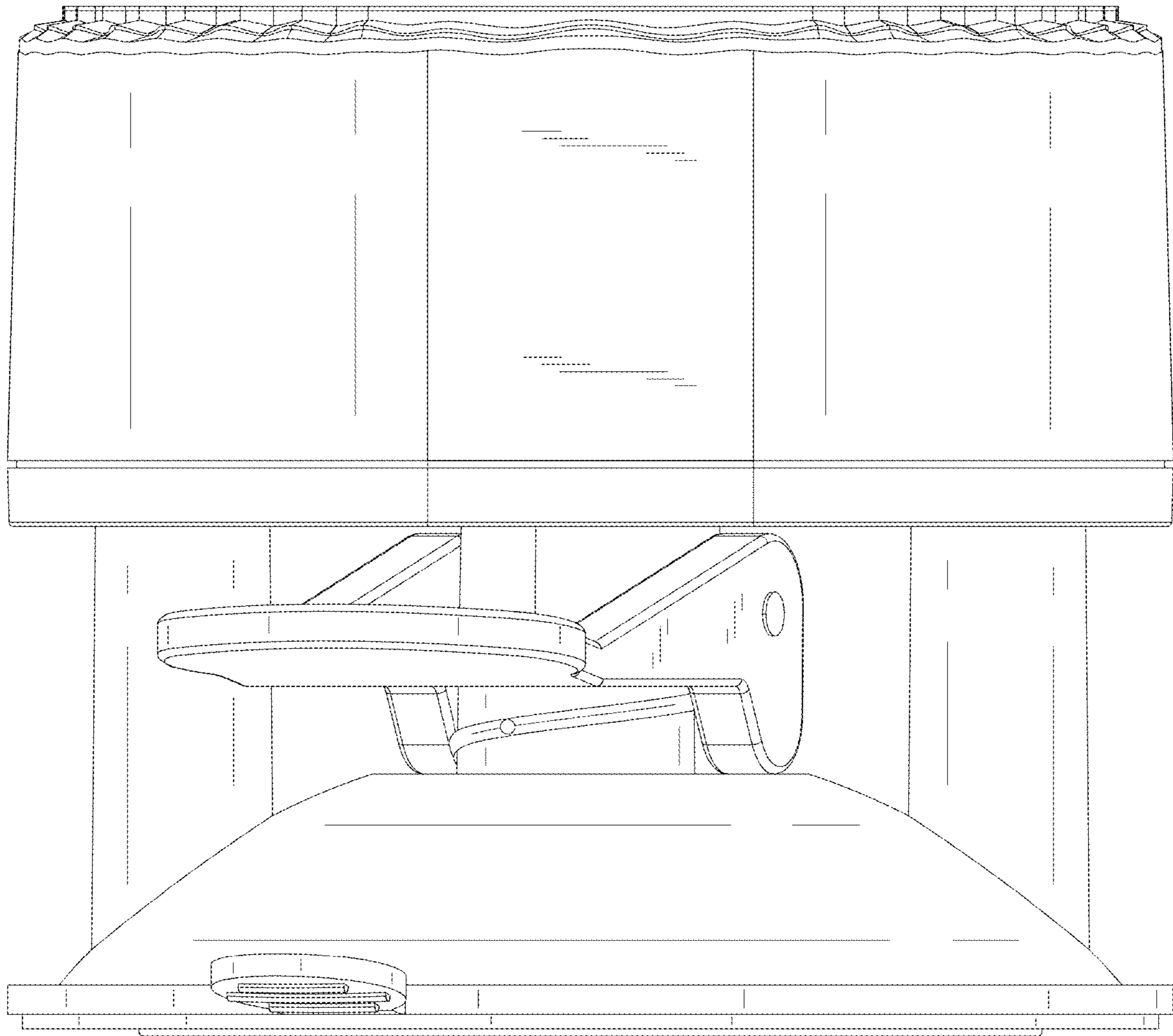


FIG. 3

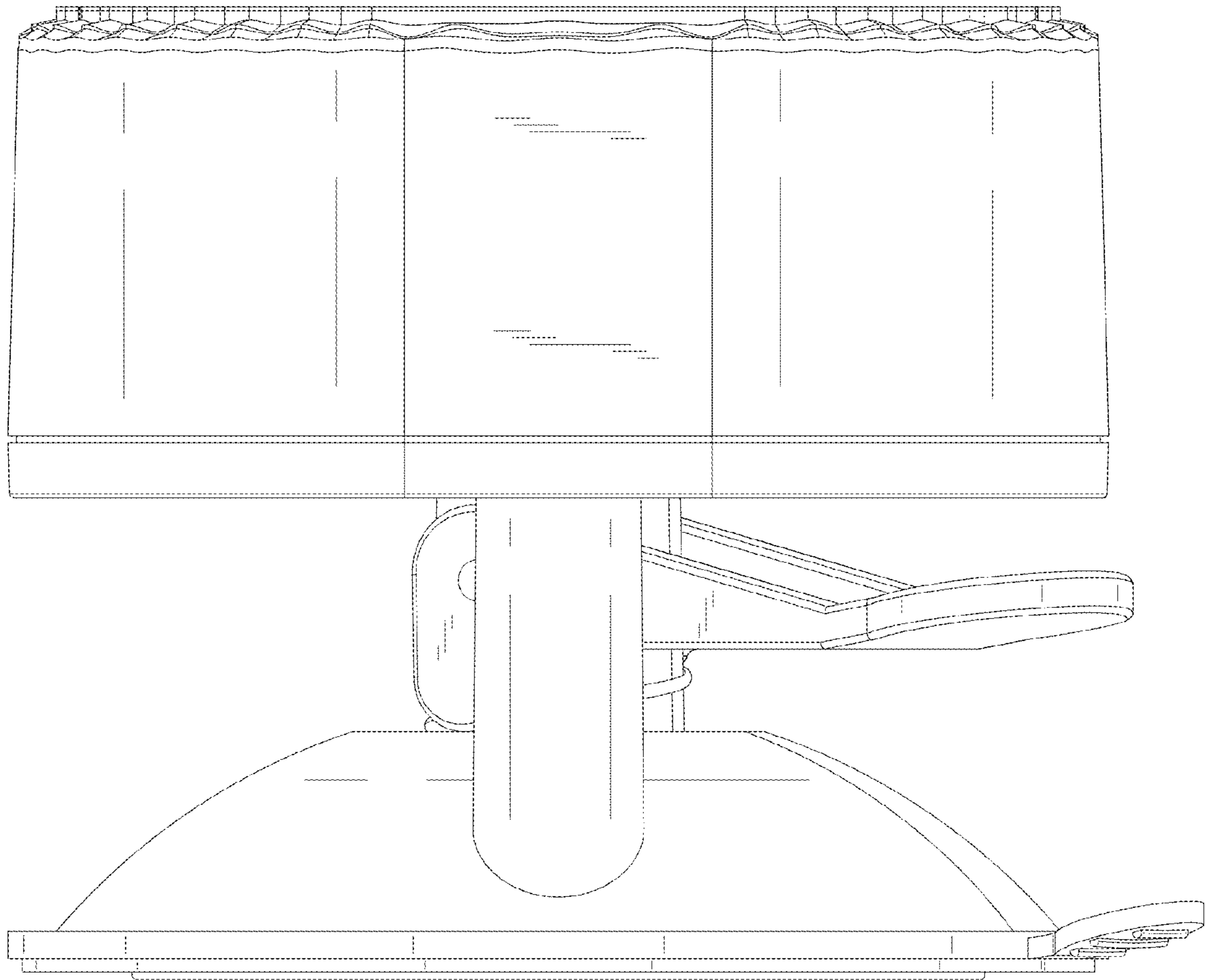


FIG. 4

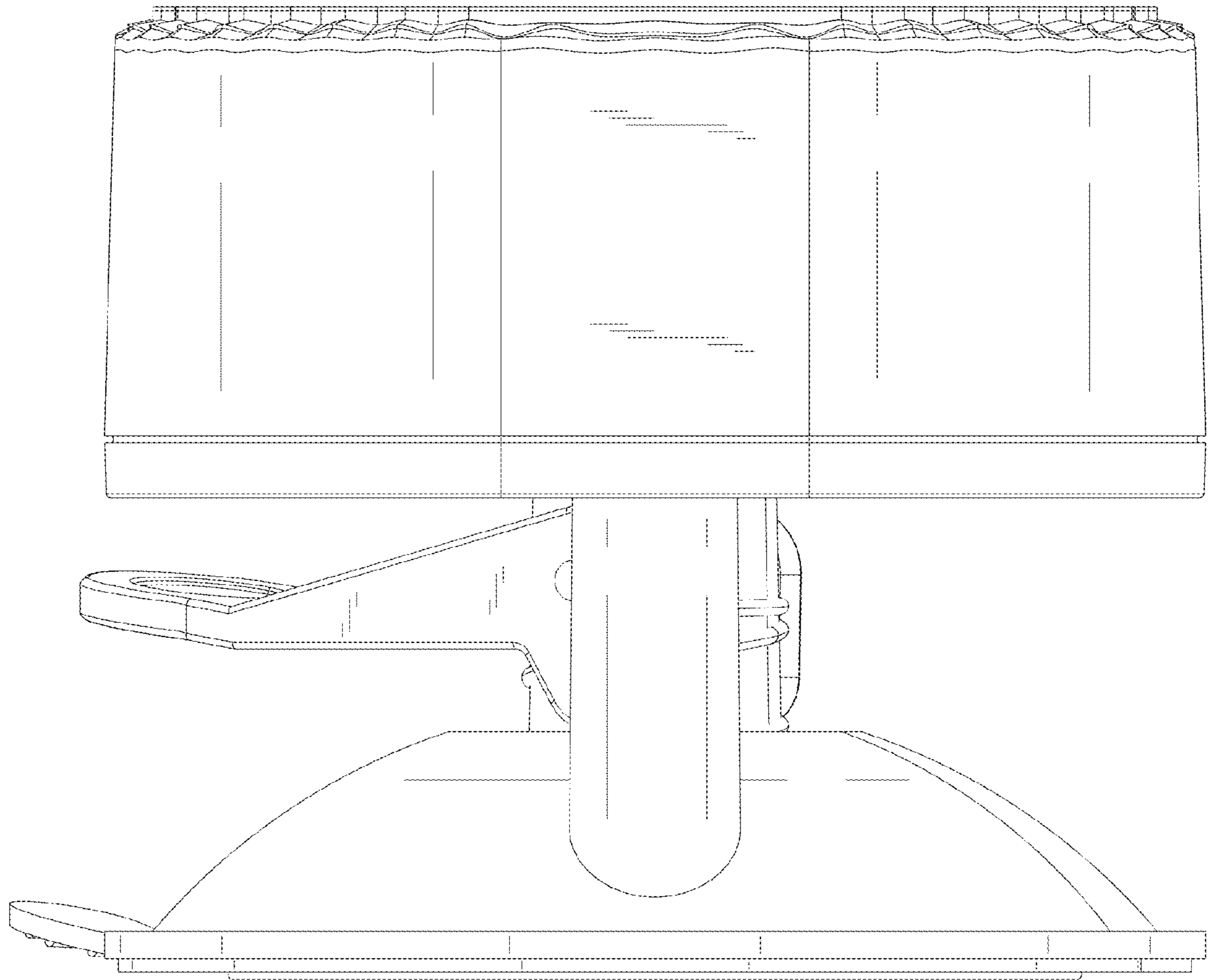


FIG. 5

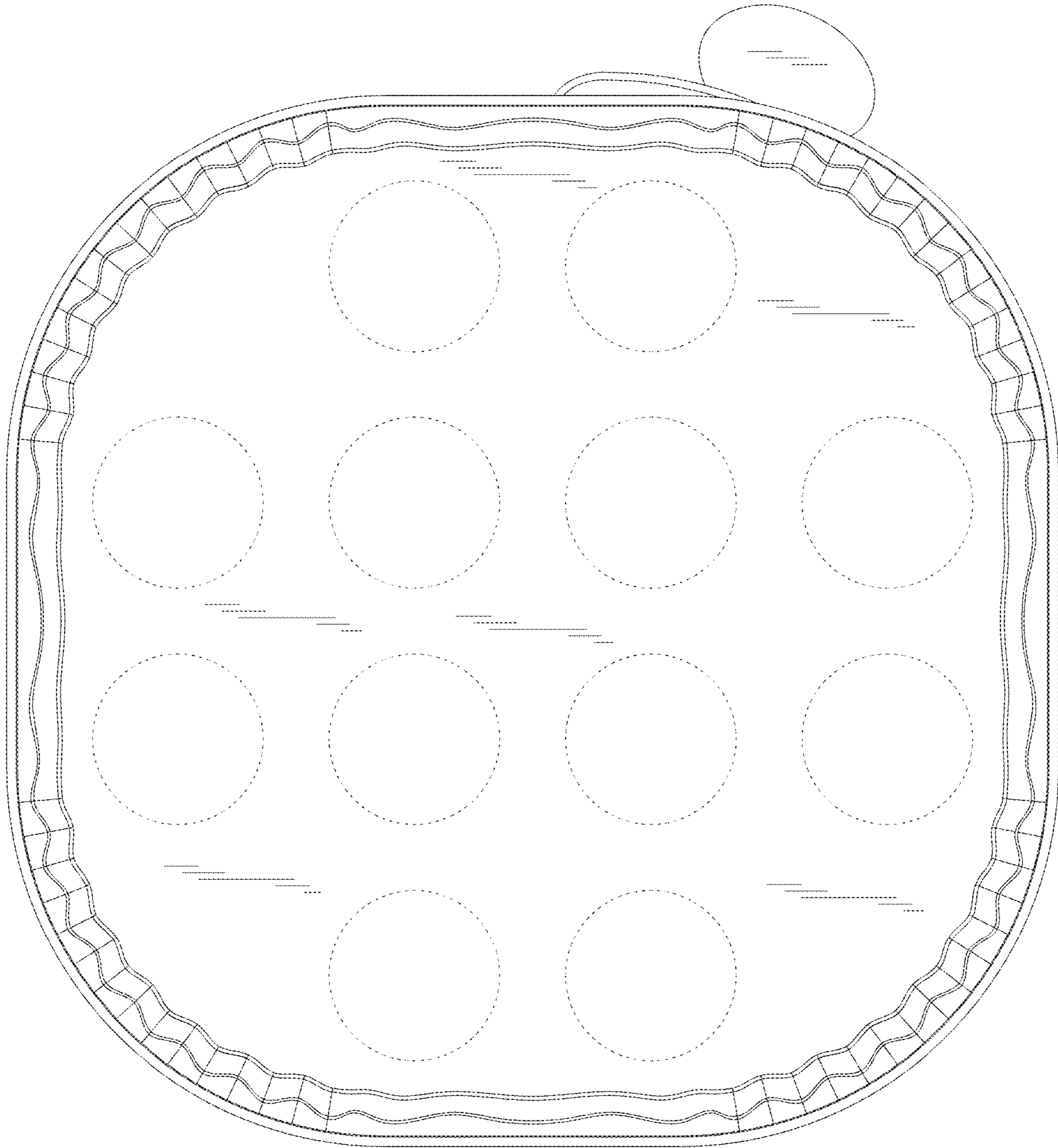


FIG. 6

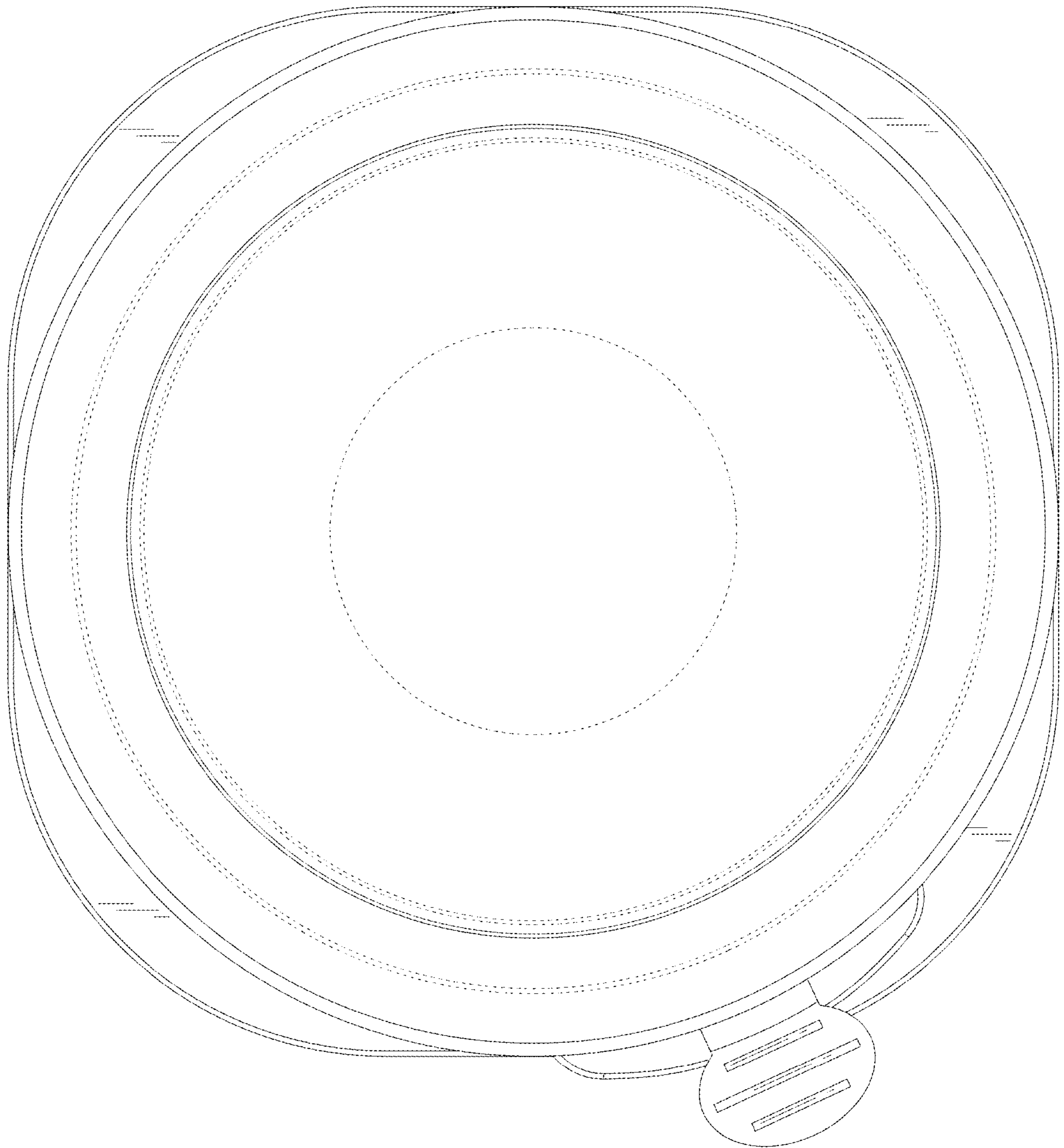


FIG. 7