

US00D949446S

(12) **United States Design Patent** (10) **Patent No.:** **US D949,446 S**
Saboo (45) **Date of Patent:** **** Apr. 19, 2022**

(54) **PEN LIGHT** 8,382,312 B2 * 2/2013 Crawford B29C 70/32
362/203
(71) Applicant: **West Coast Imports, Inc.**, Commerce, CA (US) D691,691 S * 10/2013 Sheikh D22/117
D710,526 S * 8/2014 Lee D26/49
(Continued)

(72) Inventor: **Vinay Saboo**, Commerce, CA (US)

(73) Assignee: **WEST COAST IMPORTS, INC.**, Commerce, CA (US)

(**) Term: **15 Years**

(21) Appl. No.: **29/813,250**

(22) Filed: **Oct. 27, 2021**

Related U.S. Application Data

(62) Division of application No. 29/748,183, filed on Aug. 27, 2020, now Pat. No. Des. 937,461.

(51) **LOC (13) Cl.** **26-02**

(52) **U.S. Cl.**
USPC **D26/49; D26/37**

(58) **Field of Classification Search**
USPC D26/37-44, 46-52; D10/109.1, 111-115;
D19/115, 116, 123, 130
CPC F21V 21/145; F21V 23/0414; F21V 5/006;
F21L 4/005; F21L 4/045; F41B 15/022;
Y10S 362/80

See application file for complete search history.

(56) **References Cited**

U.S. PATENT DOCUMENTS

2,466,414 A * 4/1949 Gits H01H 9/04
200/60
D308,258 S * 5/1990 Kung-kit D26/49
D601,737 S * 10/2009 Swan B29C 70/32
D26/49
D603,541 S * 11/2009 Shiu D26/38
D649,275 S * 11/2011 Crawford F21V 15/01
D26/49

FOREIGN PATENT DOCUMENTS

CN 303693957 * 6/2016
CN 303971599 * 12/2016

(Continued)

OTHER PUBLICATIONS

“Coast—21517,” May 23, 2016, amazon.com, site visited Jul. 14, 2021, URL: <https://www.amazon.com/Rechargeable-Focusing-Penlight-Accessories-Included/dp/B01FVZ2KLA/> (Year: 2016).*

(Continued)

Primary Examiner — Eric L Goodman

Assistant Examiner — Sarah L Smith

(74) *Attorney, Agent, or Firm* — Tarter Krinsky & Drogin LLP

(57) **CLAIM**

The ornamental design for a pen light, as shown and described.

DESCRIPTION

FIG. 1 is a perspective view of a pen light;

FIG. 2 is a front view thereof;

FIG. 3 is a rear view thereof;

FIG. 4 is a first side view thereof;

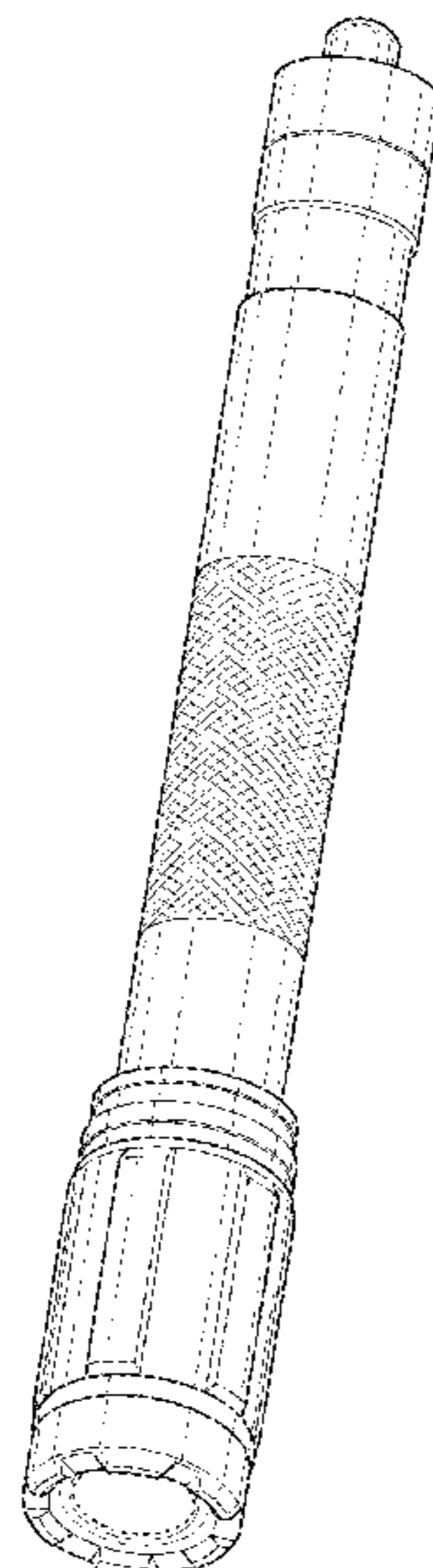
FIG. 5 is a second side view thereof;

FIG. 6 is a bottom view thereof; and,

FIG. 7 is a top view thereof.

The broken lines shown in the drawings represent portions of the pen light that form no part of the claimed design.

1 Claim, 4 Drawing Sheets



(56)

References Cited

U.S. PATENT DOCUMENTS

D769,494 S * 10/2016 Bertken F21L 4/00
 D26/49
 D861,215 S * 9/2019 Sharrah H01H 9/04
 D26/49
 D937,461 S * 11/2021 Saboo D26/49
 2009/0190339 A1 * 7/2009 Galli F21L 4/00
 362/205
 2012/0068624 A1 * 3/2012 Matthews F21L 4/005
 315/307
 2016/0033090 A1 * 2/2016 Sharrah F21L 4/00
 2016/0033091 A1 * 2/2016 Sharrah F21V 15/01
 362/202
 2021/0278657 A1 * 9/2021 Root F21L 4/005
 D26/49

FOREIGN PATENT DOCUMENTS

CN 304769014 * 8/2018
 WO WO-2009157936 A1 * 12/2009 F21L 4/027

OTHER PUBLICATIONS

“Titanium AAx2 Extreme Inspection Light,” Oct. 4, 2017, youtube.com, site visited Jul. 14, 2021, URL: <https://www.youtube.com/watch?v=H29ToTT86xA> (Year: 2017).*

“Insignia™—LED Penlight,” 2018 (Q&A), bestbuy.com, site visited Jul. 14, 2021, URL: <https://www.bestbuy.com/site/insignia-led-penlight/4976403.p?skuId=4976403> (Year: 2018).*

“NEBO Inspector,” Aug. 22, 2018, amazon.com, site visited Jul. 14, 2021, URL: https://www.amazon.com/NEBO-INSPECTOR-Everyday-Flashlight-Batteries/dp/B07MHD6LLZ/ref=sr_1_16?dchild=1&keywords=everyday+carry+flashlight&qid=1626280785&sr=8-16 (Year: 2018).*

* cited by examiner

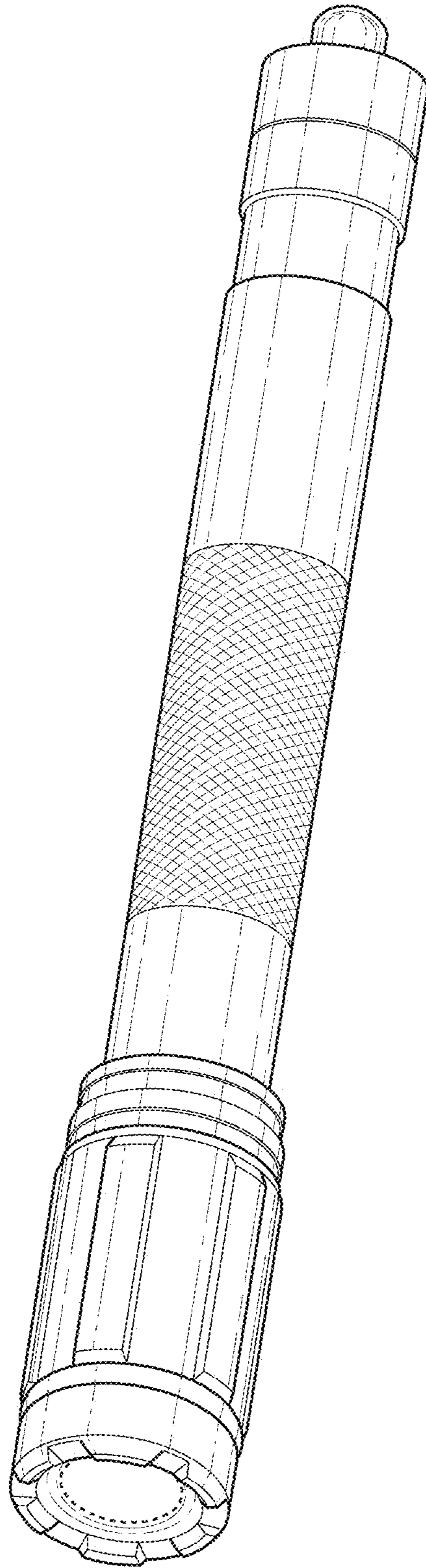


FIG. 1

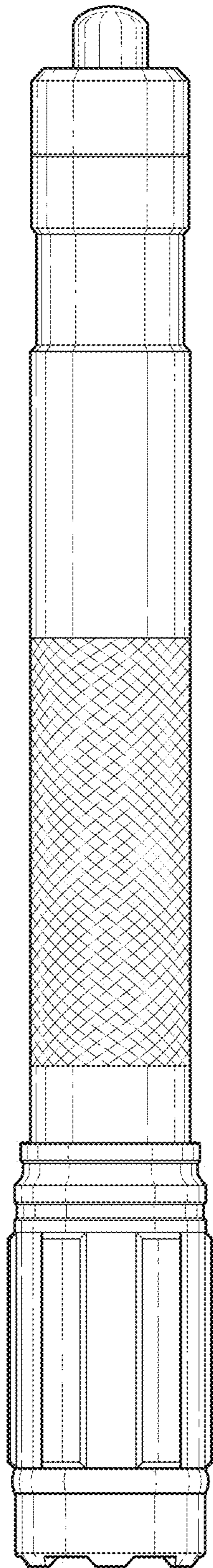


FIG. 2

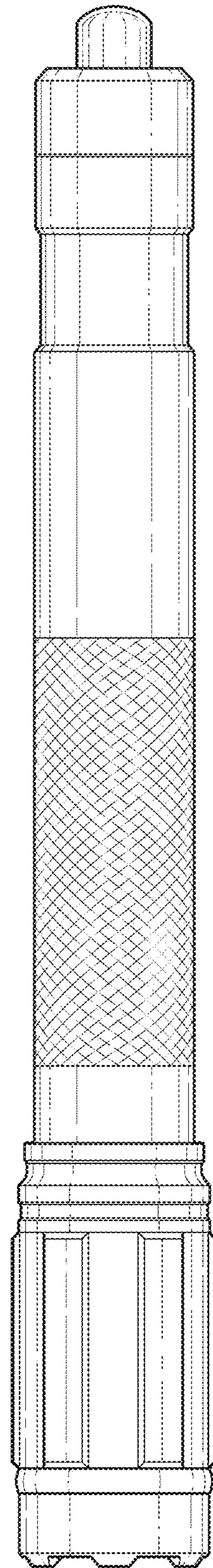


FIG. 3

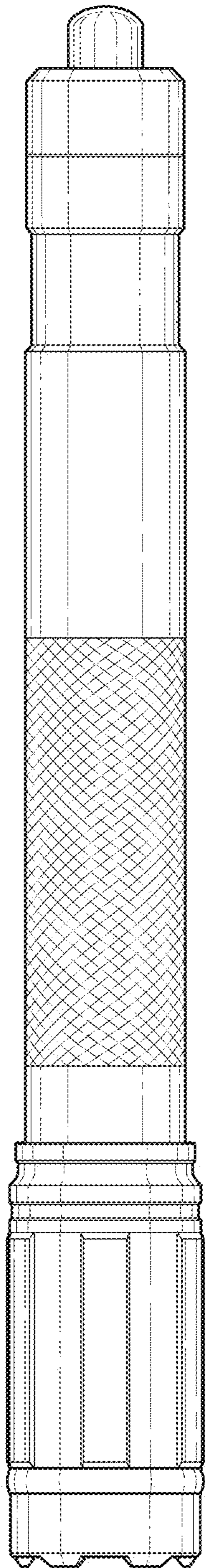


FIG. 4

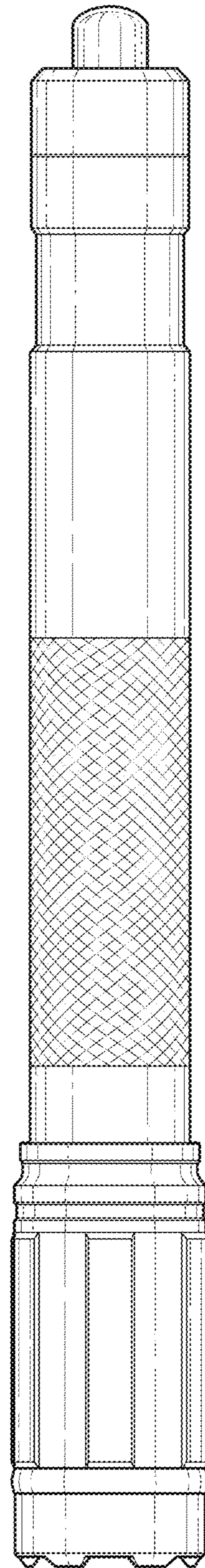


FIG. 5

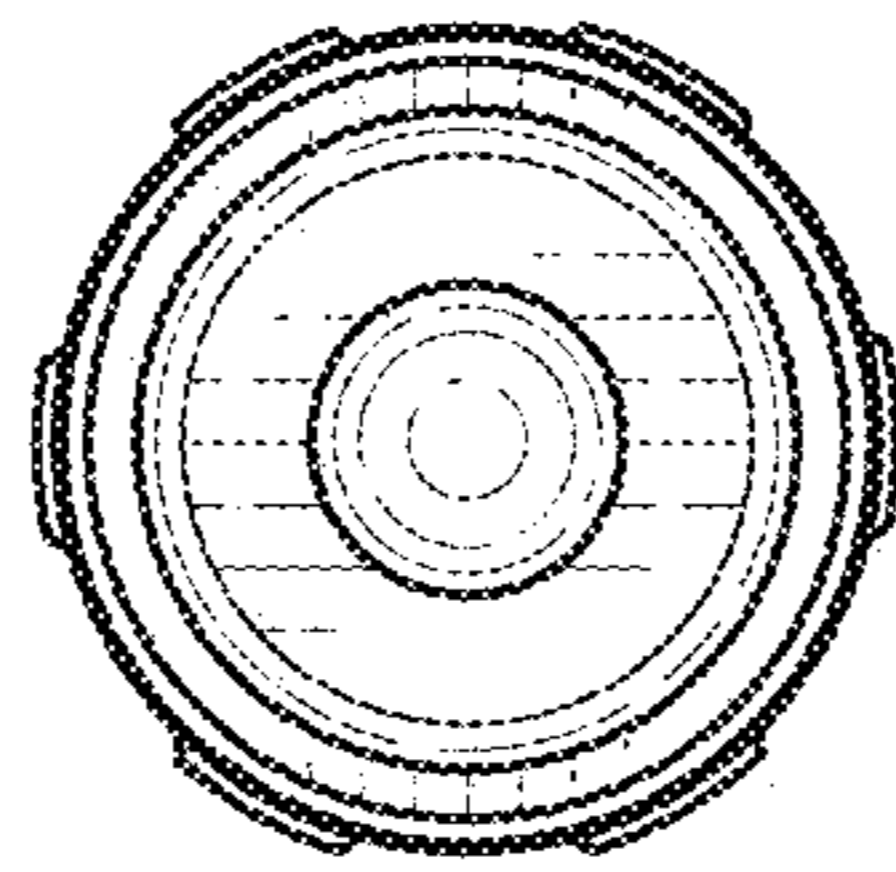


FIG. 6

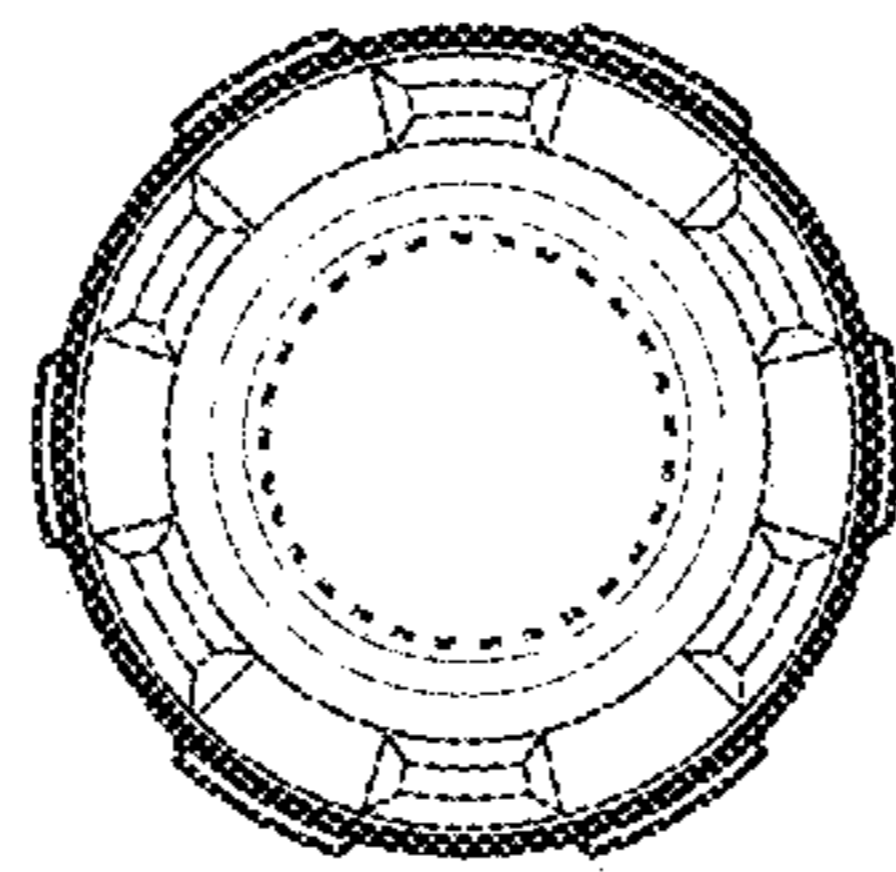


FIG. 7