



US00D949445S

(12) **United States Design Patent**
Zhang

(10) **Patent No.:** **US D949,445 S**

(45) **Date of Patent:** **** Apr. 19, 2022**

- (54) **LED BULB FOR A VEHICLE**
- (71) Applicant: **Qing Zhang**, Guangzhou (CN)
- (72) Inventor: **Qing Zhang**, Guangzhou (CN)
- (**) Term: **15 Years**
- (21) Appl. No.: **29/782,523**
- (22) Filed: **May 7, 2021**
- (51) **LOC (13) Cl.** **26-06**
- (52) **U.S. Cl.**
USPC **D26/28**
- (58) **Field of Classification Search**
USPC D26/28-36, 139
CPC F21S 48/00; F21S 48/10; F21S 48/115;
F21S 48/225; F21S 48/1233; F21S
48/1266; F21S 48/1388; F21S 48/2268;
F21V 5/00; F21V 21/04; F21V 29/004;
B60Q 9/13; B60Q 9/135; B60Q 9/1375
See application file for complete search history.

- D824,052 S 7/2018 Conte et al.
- D827,880 S 9/2018 Chen et al.
- D841,205 S * 2/2019 Dai D26/28
- D846,775 S * 4/2019 Yan D26/28
- D883,530 S 5/2020 Huang
- D894,449 S 8/2020 Wang

* cited by examiner

Primary Examiner — Marcus A Jackson
(74) *Attorney, Agent, or Firm* — Runit Ranjit Kanakia

(57) **CLAIM**

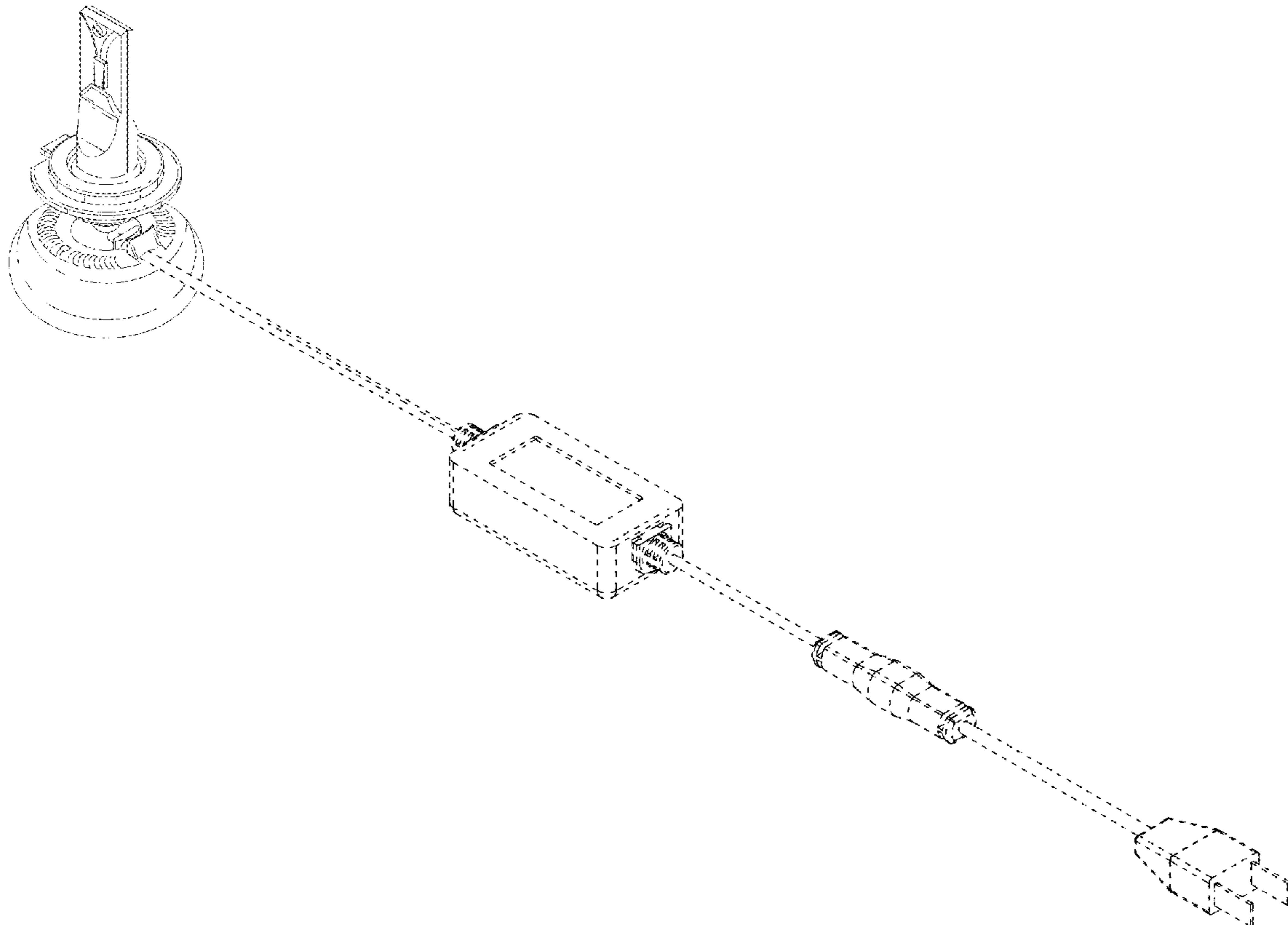
I claim the ornamental design for a LED bulb for a vehicle, as shown and described.

DESCRIPTION

FIG. 1 is a Perspective view of a LED bulb for a vehicle showing my new design;
FIG. 2 is Front view thereof;
FIG. 3 is a Back view thereof;
FIG. 4 is a Left-side view thereof;
FIG. 5 is a Right-side view thereof;
FIG. 6 is a Top view thereof;
FIG. 7 is a Bottom view thereof; and,
FIG. 8 is a Bottom Perspective thereof.
The broken lines in the drawings depict portions of the LED bulb for a vehicle that form no part of the claimed design.

1 Claim, 5 Drawing Sheets

- (56) **References Cited**
U.S. PATENT DOCUMENTS
D710,042 S * 7/2014 Georgitsis D26/28
D713,570 S * 9/2014 Yoshida D26/28
D765,288 S * 8/2016 Ueda D26/28
D769,490 S * 10/2016 Ma D26/28
D772,446 S * 11/2016 Largent D26/28
D777,961 S * 1/2017 Wu D26/28



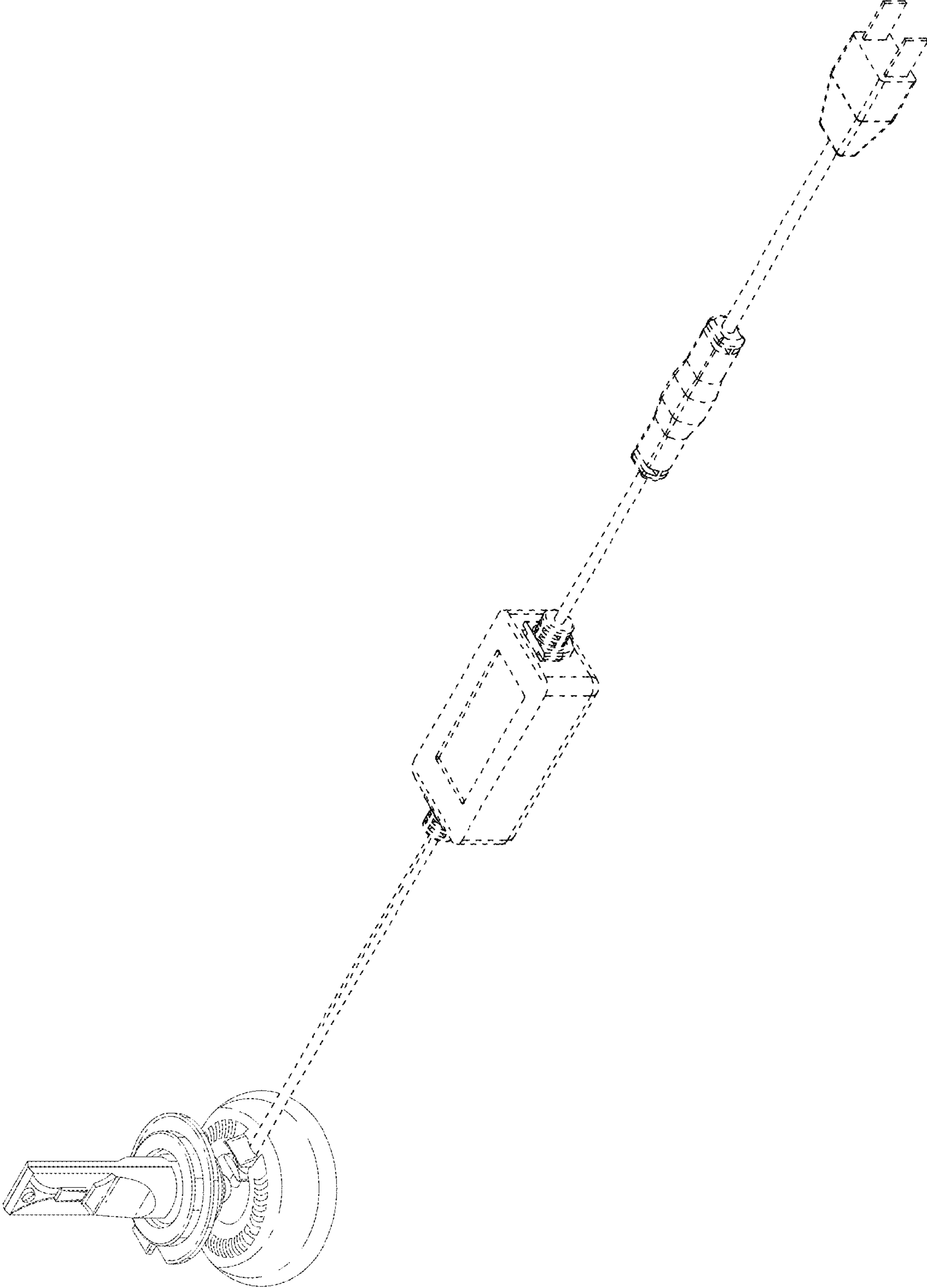


FIG. 1

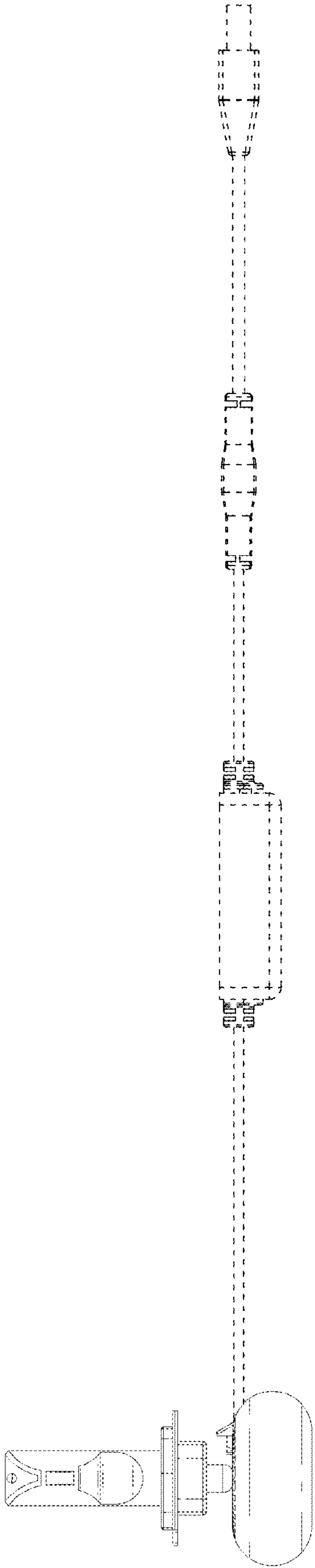


FIG. 2

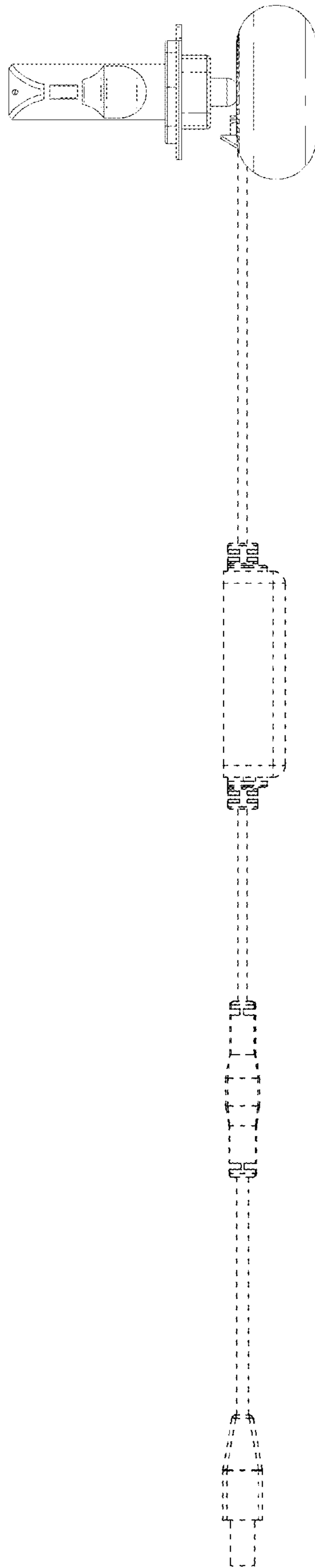


FIG. 3

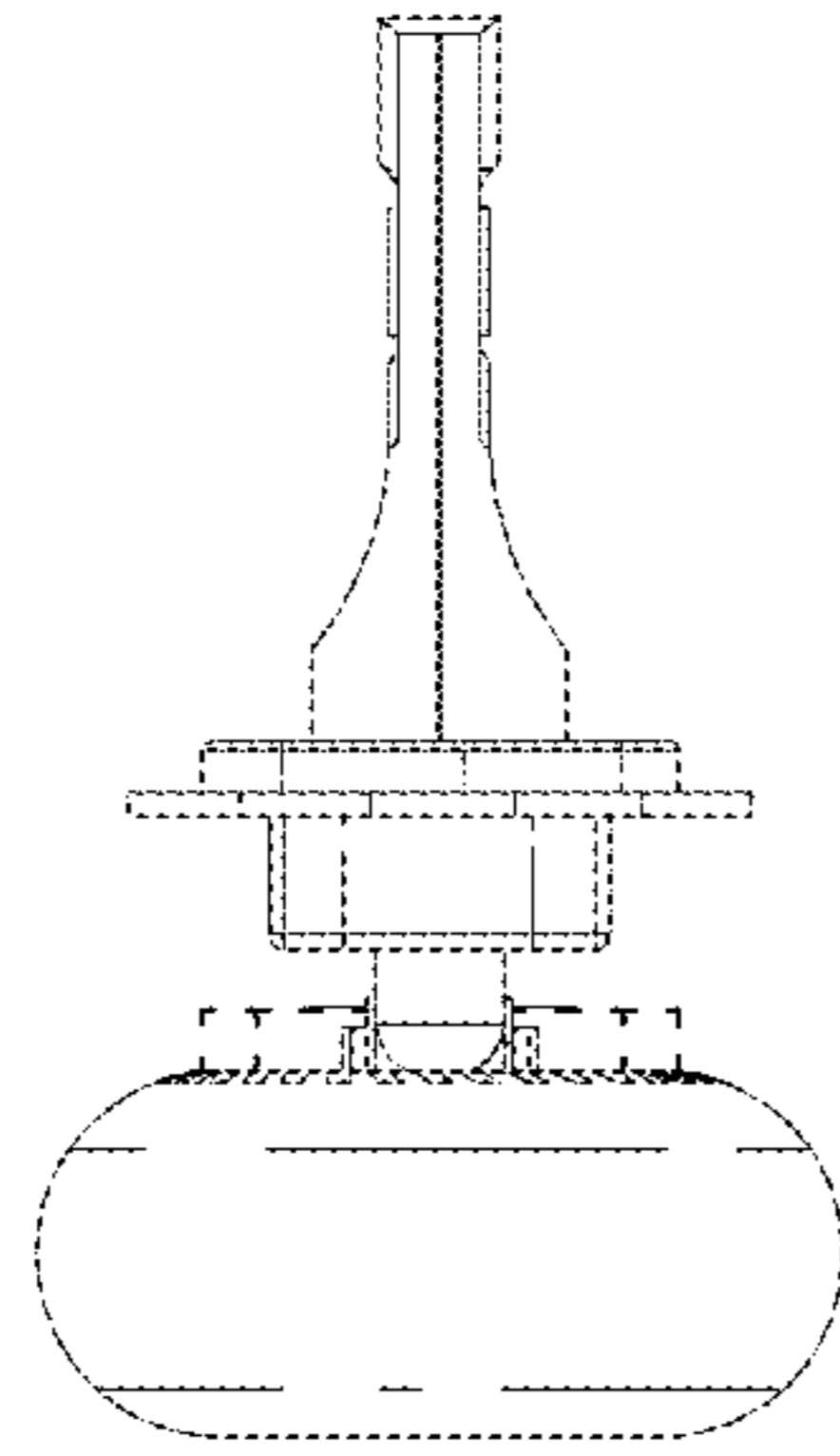


FIG. 4

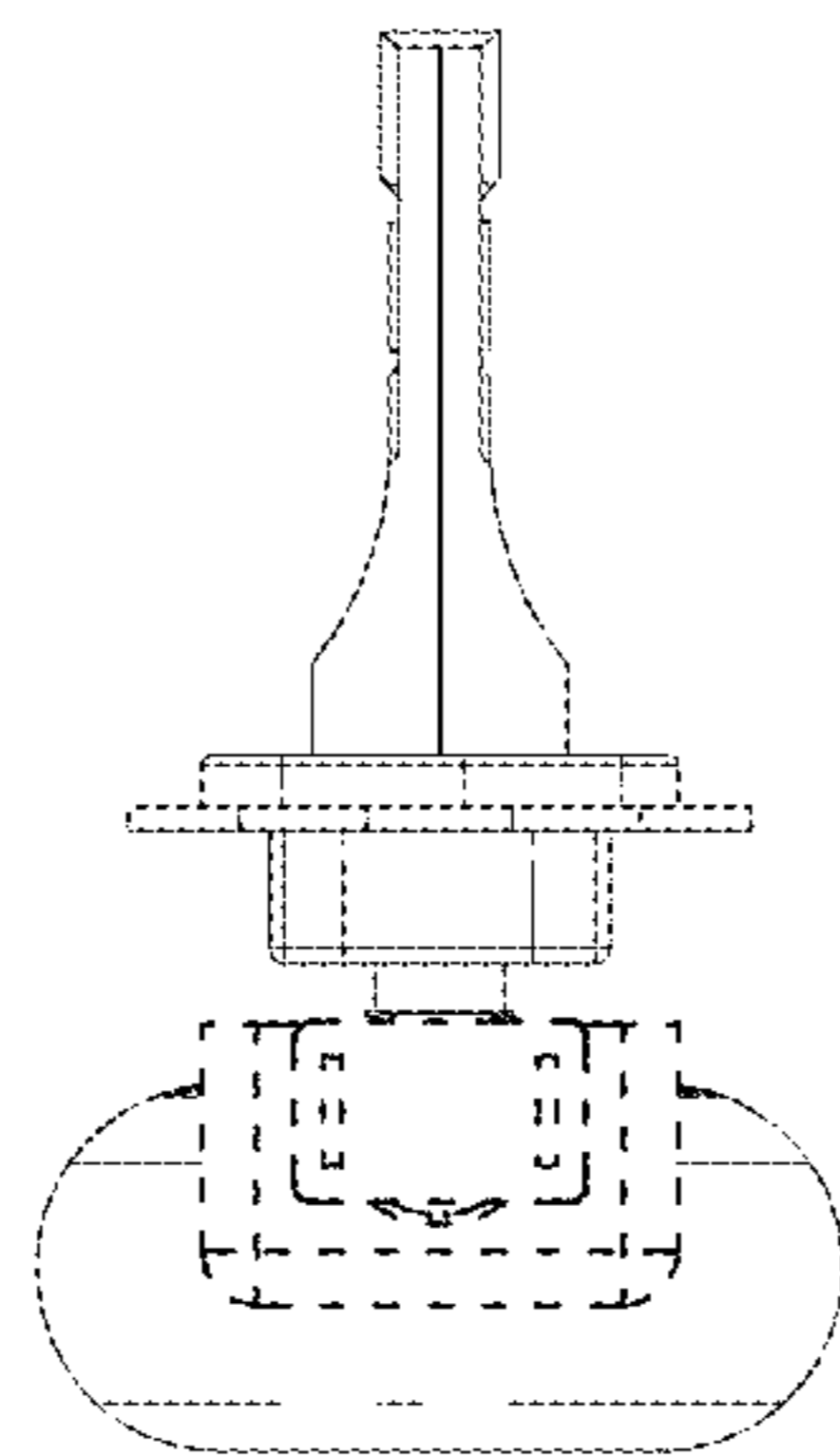


FIG. 5

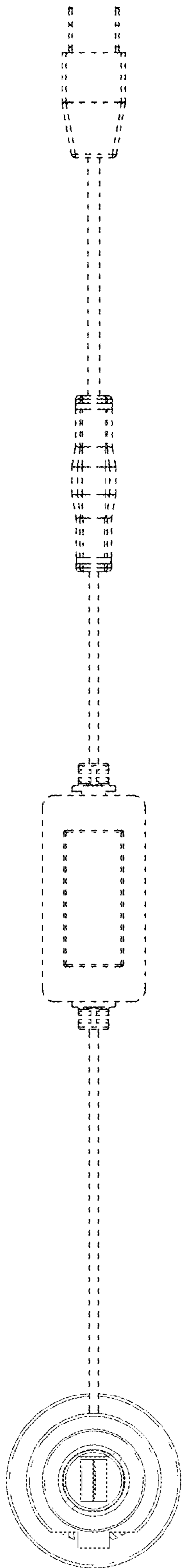


FIG. 6

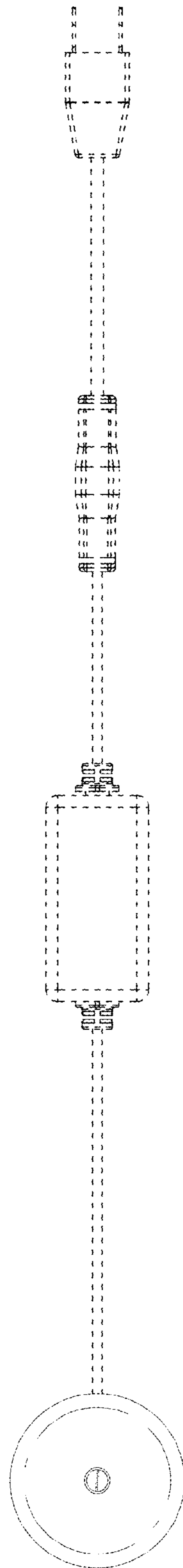


FIG. 7

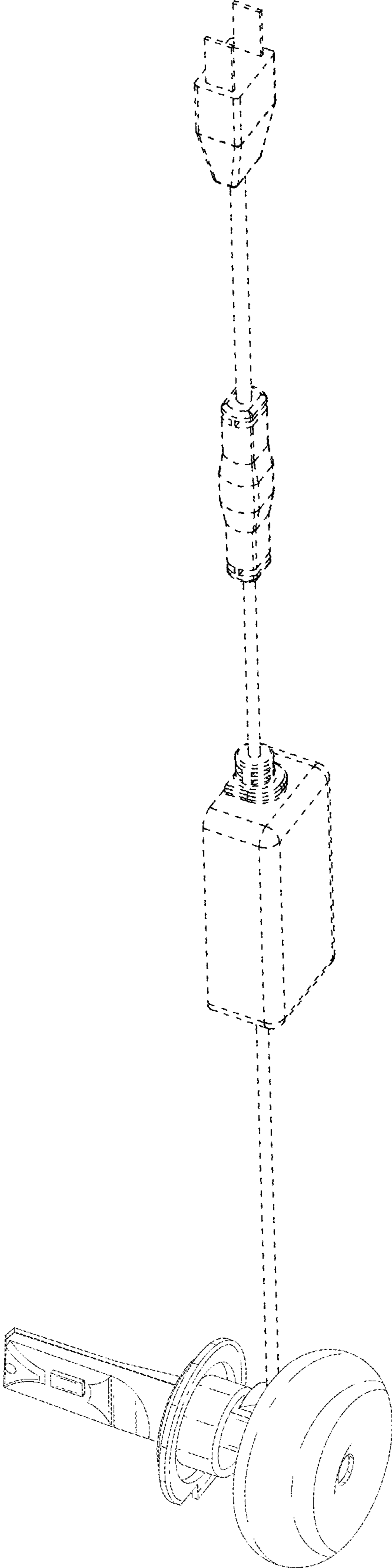


FIG. 8