



US00D949444S

(12) **United States Design Patent**
Shirota

(10) **Patent No.:** **US D949,444 S**
(45) **Date of Patent:** **** Apr. 19, 2022**

(54) **TAILLIGHT FOR BICYCLE**

FOREIGN PATENT DOCUMENTS

- (71) Applicant: **Cateye Co., Ltd.**, Osaka (JP)
- (72) Inventor: **Ryuya Shirota**, Osaka (JP)
- (73) Assignee: **Cateye Co., Ltd.**, Osaka (JP)
- (**) Term: **15 Years**

JP	D1463383 S	3/2013
JP	D1589818 S	11/2017
JP	D1590218 S	11/2017

(21) Appl. No.: **29/738,378**

(22) Filed: **Jun. 17, 2020**

(30) **Foreign Application Priority Data**

Dec. 20, 2019 (JP) 2019-028316

(51) **LOC (13) Cl.** **26-06**

(52) **U.S. Cl.**
USPC **D26/28**

(58) **Field of Classification Search**
USPC D26/28, 29, 30, 31, 32, 33, 34, 35, 36;
D12/111, 114; D21/663, 694, 432
CPC B62J 3/00; B62J 6/04; B62J 6/005; B62J
6/015; F21Y 2101/00; F21V 14/01
See application file for complete search history.

(56) **References Cited**

U.S. PATENT DOCUMENTS

D532,330 S	*	11/2006	Nakade	D10/111
D663,452 S	*	7/2012	Okuda	D26/28
D752,787 S	*	3/2016	Kawakami	D26/28
D901,730 S	*	11/2020	Chen	D26/28

OTHER PUBLICATIONS

EFORCAR Bike Tail Light, Eforcar, Jul. 20, 2018, Published by Amazon, Visited on Oct. 19, 2021 via URL: <<https://www.amazon.com/EFORCAR-Rechargeable-Lighting-Multipurpose-Waterproof/dp/B07FQGVXTF/>> (Year: 2018).
Notice of Allowance issued in counterpart Taiwanese Design Application No. 109303327 dated Dec. 15, 2020.

* cited by examiner

Primary Examiner — Marissa J Cash
Assistant Examiner — Nishaad Sebastian Lorengo
(74) *Attorney, Agent, or Firm* — Morgan, Lewis & Bockius LLP

(57) **CLAIM**

The ornamental design for a taillight for a bicycle, as shown.

DESCRIPTION

FIG. 1 is a perspective view of a taillight for a bicycle showing my new design;
FIG. 2 is a front elevational view thereof;
FIG. 3 is a rear elevational view thereof;
FIG. 4 is a right side view thereof;
FIG. 5 is a left side view thereof;
FIG. 6 is a top plan view thereof; and,
FIG. 7 is a bottom plan view thereof.

1 Claim, 4 Drawing Sheets

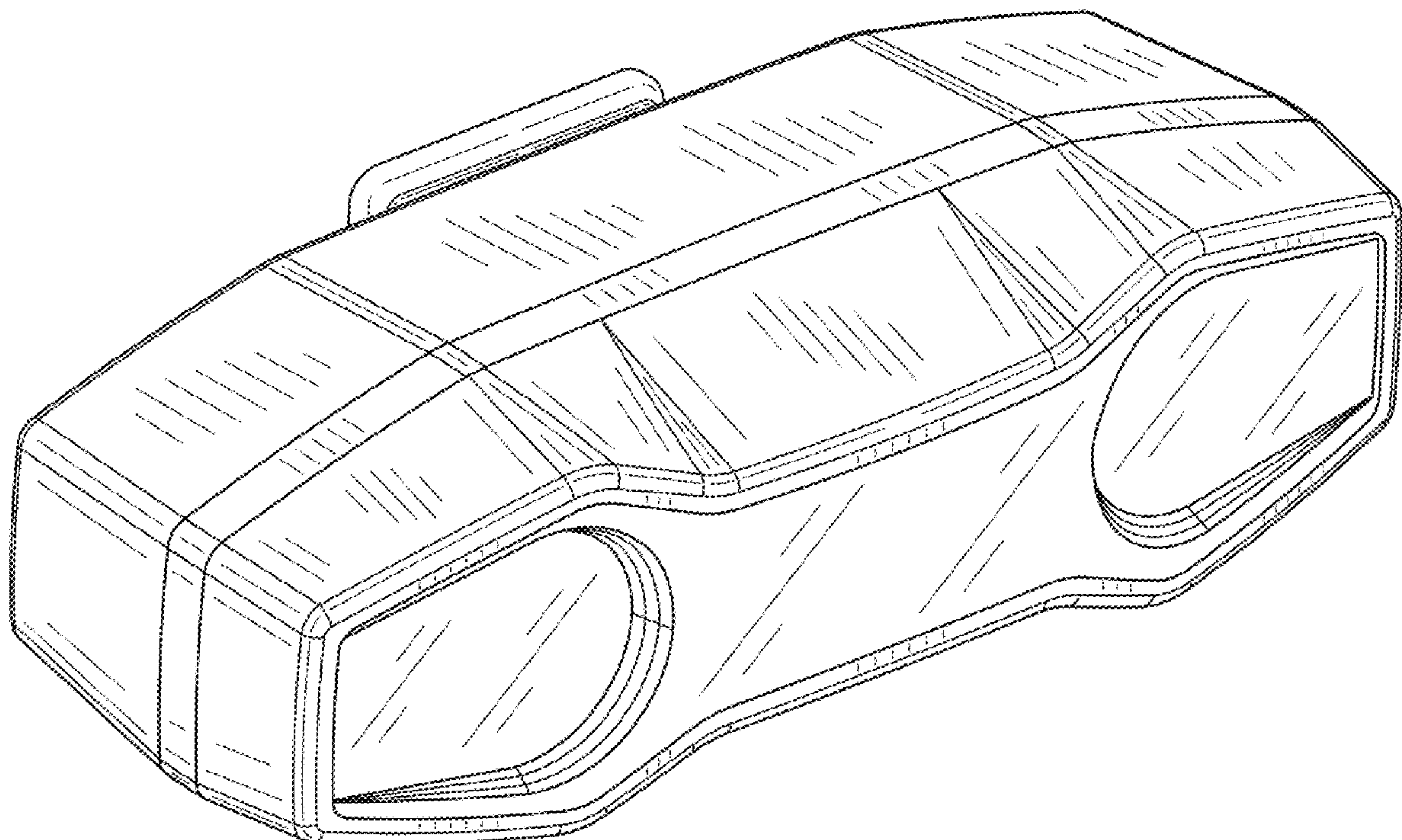


FIG.1

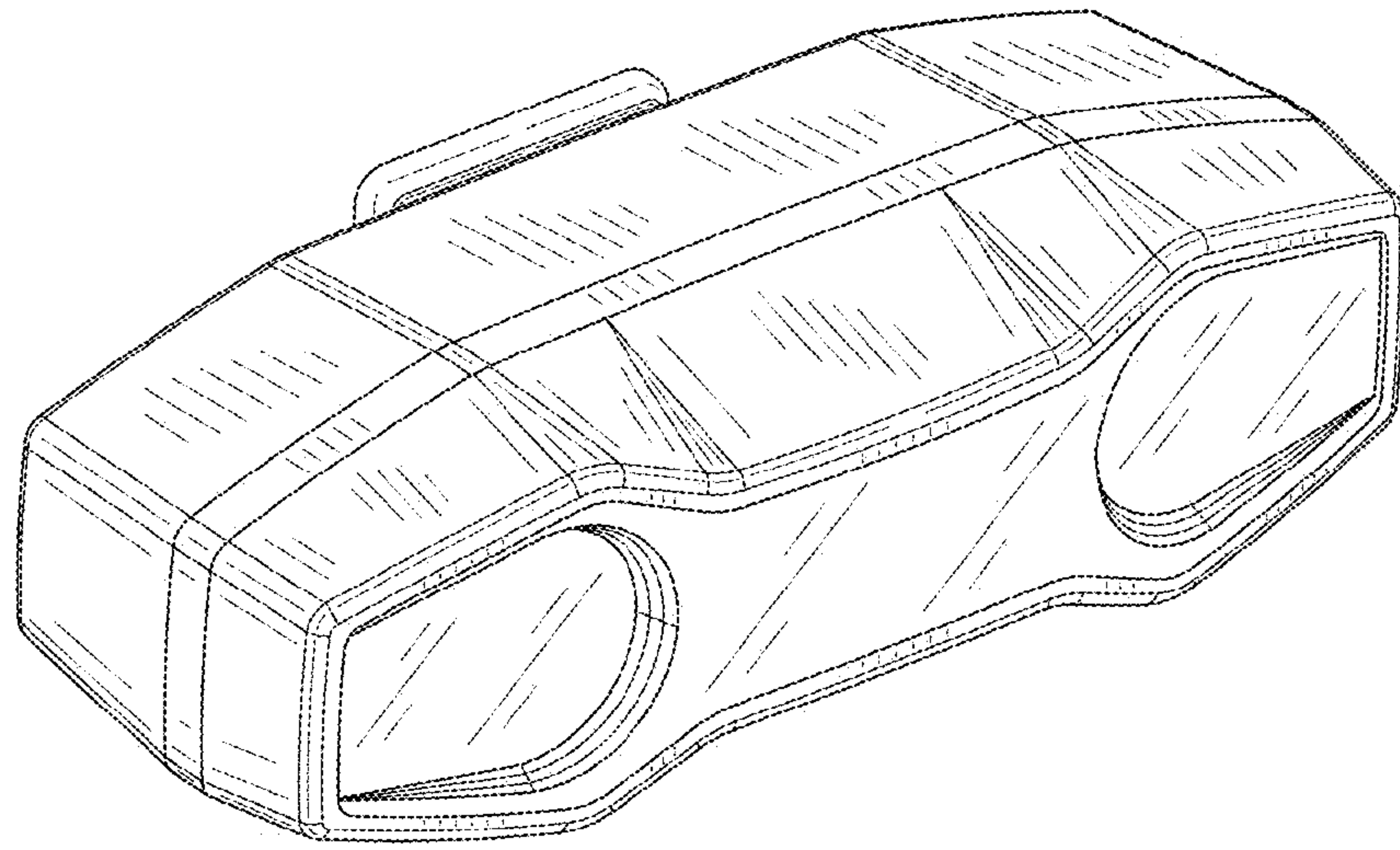


FIG.2

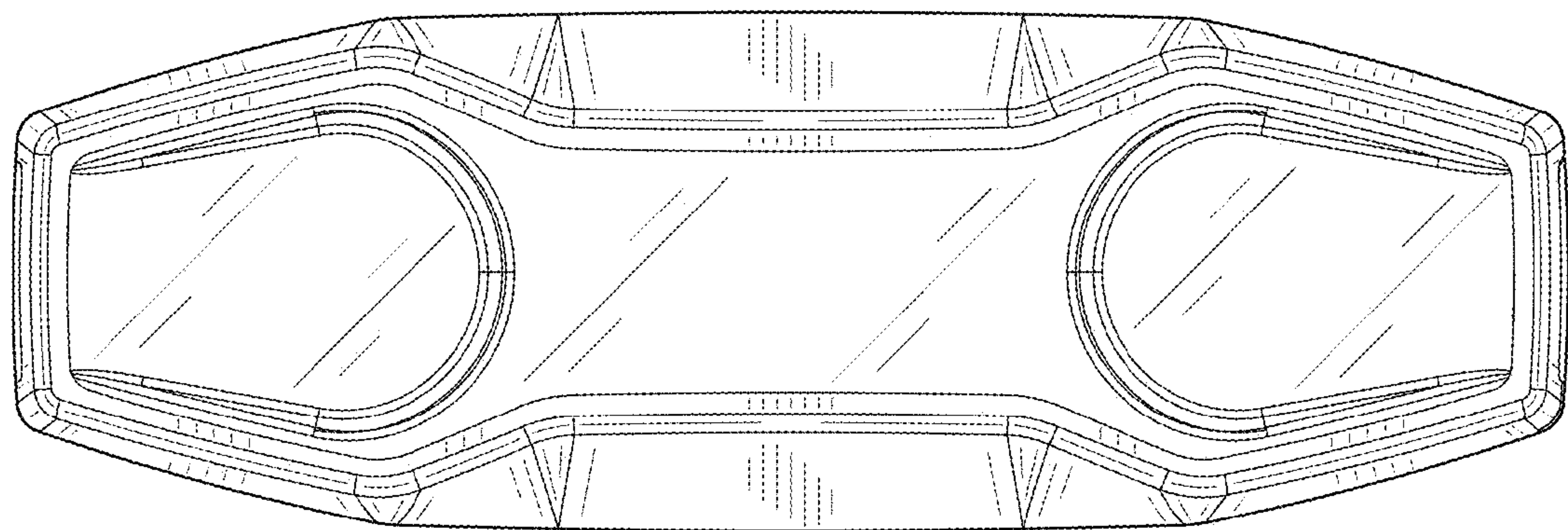


FIG.3

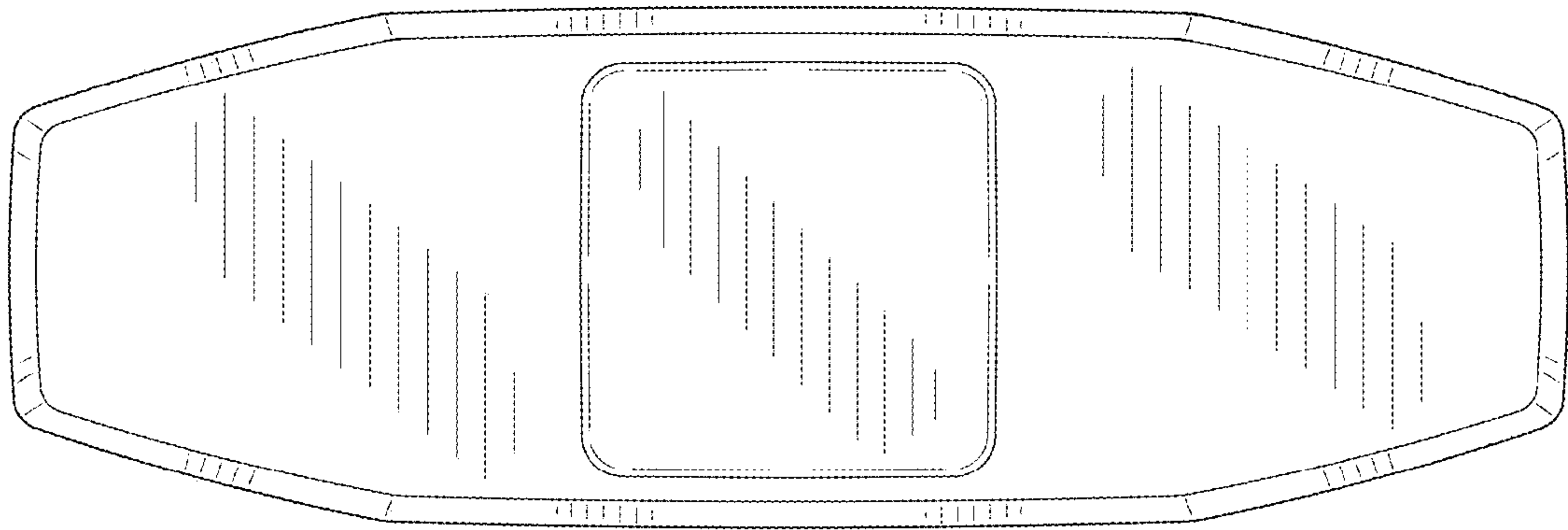


FIG.4

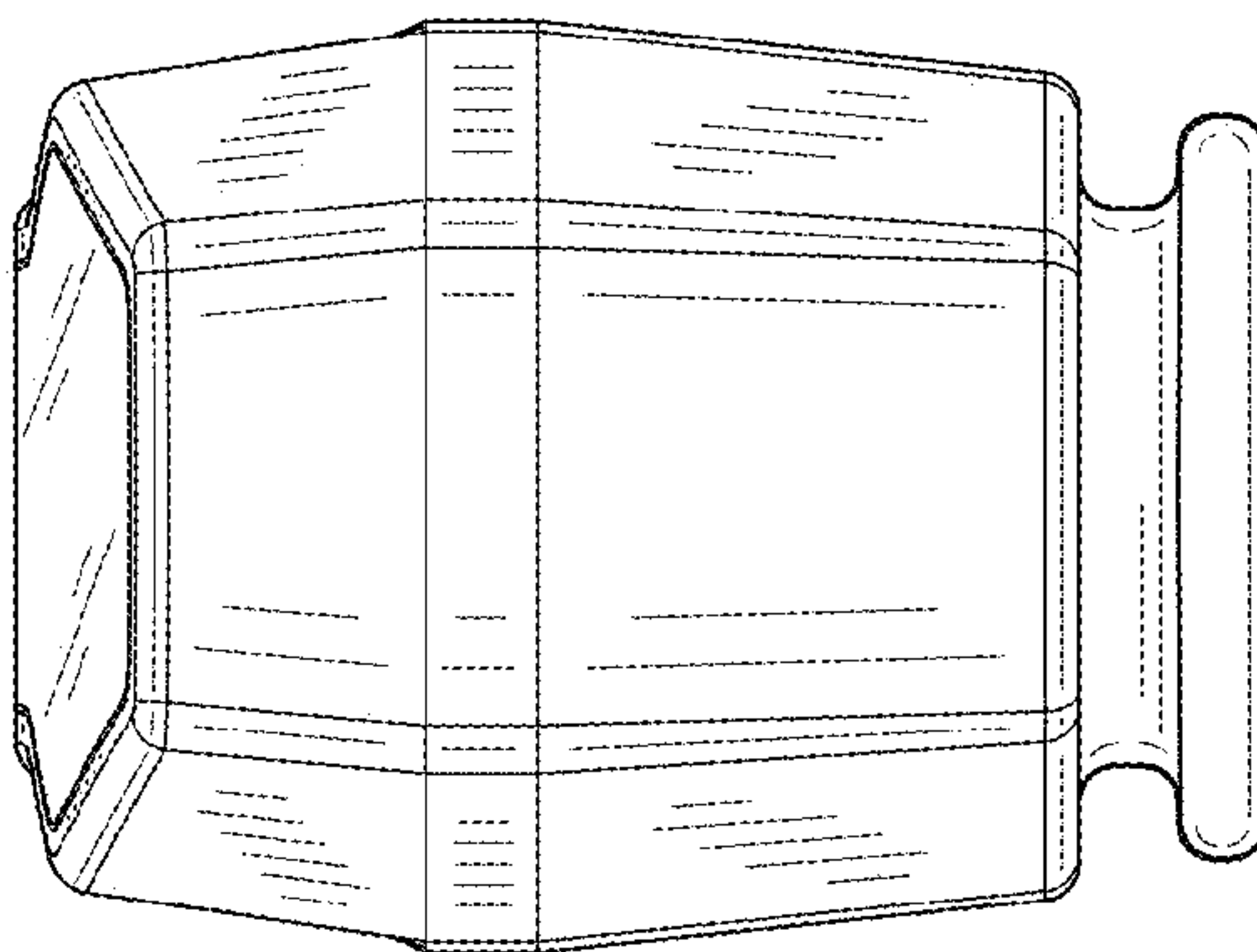


FIG.5

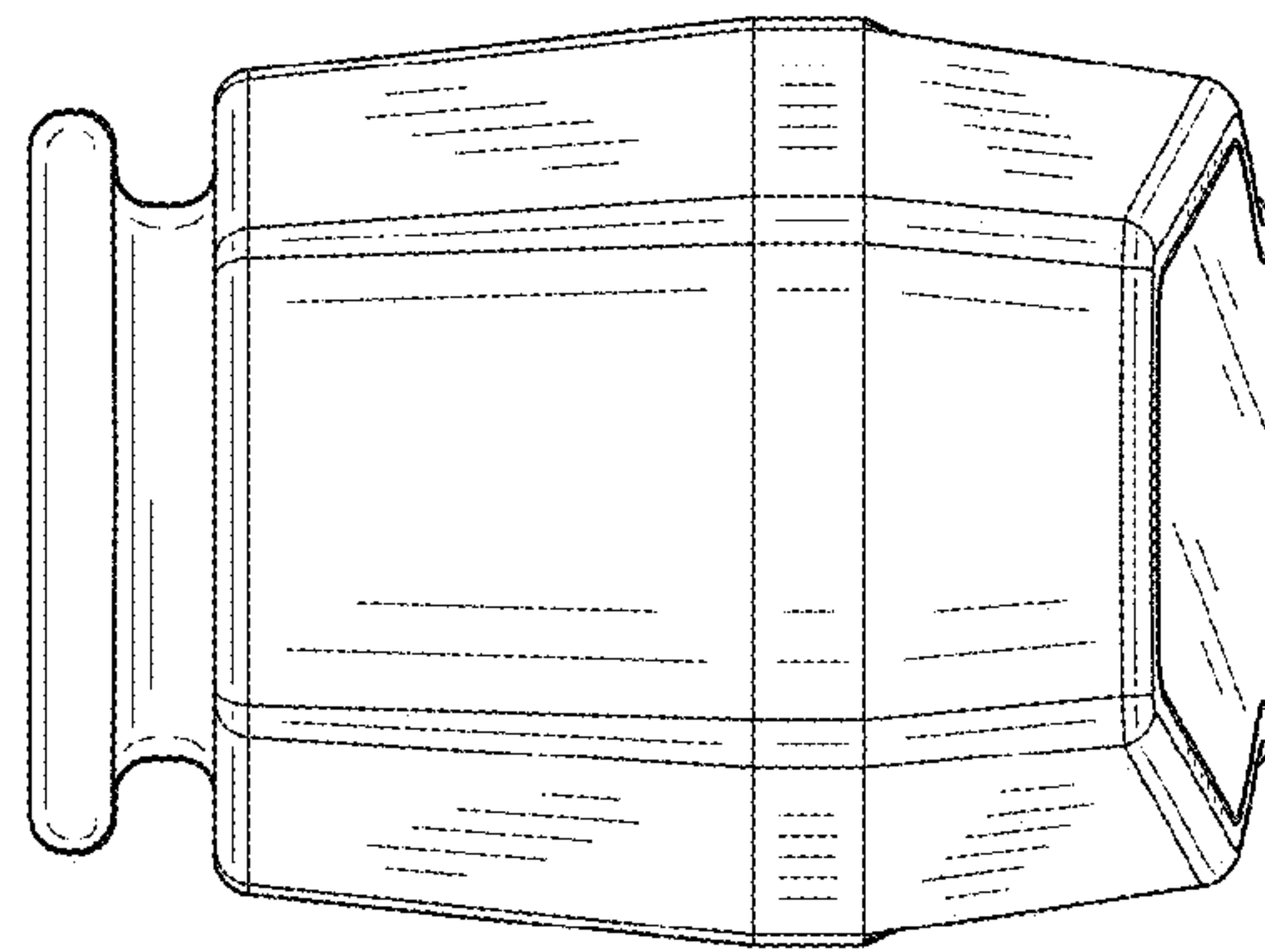


FIG.6

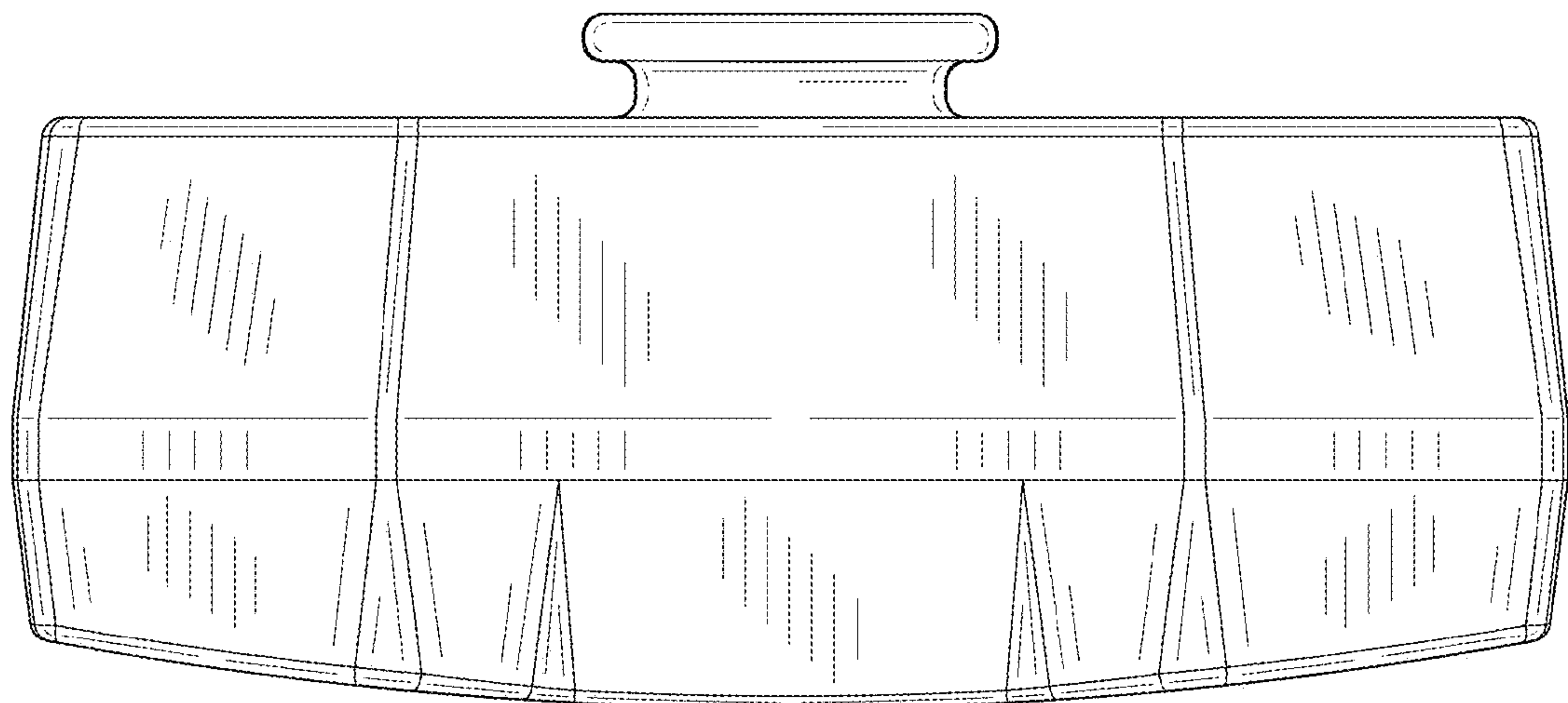


FIG. 7

