



US00D949442S

(12) **United States Design Patent**  
**Ryan**

(10) **Patent No.:** **US D949,442 S**

(45) **Date of Patent:** **\*\* \*Apr. 19, 2022**

(54) **ROOFING DECK**

(71) Applicant: **Epic Metals Corporation**, Rankin, PA (US)

(72) Inventor: **Thomas G. Ryan**, Ligonier, PA (US)

(73) Assignee: **Epic Metals Corporation**, Rankin, PA (US)

(\*) Notice: This patent is subject to a terminal disclaimer.

(\*\*) Term: **15 Years**

(21) Appl. No.: **29/712,677**

(22) Filed: **Nov. 11, 2019**

(51) **LOC (13) Cl.** ..... **25-01**

(52) **U.S. Cl.**  
USPC ..... **D25/143; D25/120**

(58) **Field of Classification Search**  
USPC ..... D25/119-125, 138, 139, 141-144, 158, D25/159

CPC ..... E04B 9/0435; E04B 9/0464; E04C 2/08; E04C 2/32; E04C 2/322; E04D 3/30; E04D 3/36; E04F 15/06

See application file for complete search history.

(56) **References Cited**

**U.S. PATENT DOCUMENTS**

3,707,088 A \* 12/1972 King ..... B21D 13/045 72/178

4,133,158 A \* 1/1979 Ting ..... E04C 2/322 52/478

D256,620 S \* 8/1980 Madsen ..... D25/119 (Continued)

**OTHER PUBLICATIONS**

Epicore ER5 & ER6.5 Roof Deck Ceiling Systems Catalog (2010); Epic Metals Corporation, Rankin, Pennsylvania, USA, pp. 1-12.

*Primary Examiner* — Llorelys Martinez

(74) *Attorney, Agent, or Firm* — The Webb Law Firm

(57) **CLAIM**

The ornamental design for a roofing deck, as shown and described.

**DESCRIPTION**

FIG. 1 is a front view of a roofing deck showing my new design in accordance with a first embodiment of the present invention;

FIG. 2 is a rear view thereof;

FIG. 3 is a right side view thereof;

FIG. 4 is a left side view thereof;

FIG. 5 is a bottom view thereof;

FIG. 6 is a top view thereof;

FIG. 7 is a lower right front perspective view thereof;

FIG. 8 is another lower right front perspective view of the roofing deck of FIG. 1, shown in an alternate configuration;

FIG. 9 is a front view of a roofing deck showing my new design in accordance with a second embodiment of the present invention;

FIG. 10 is a rear view thereof;

FIG. 11 is a right side view thereof;

FIG. 12 is a left side view thereof;

FIG. 13 is a bottom view thereof;

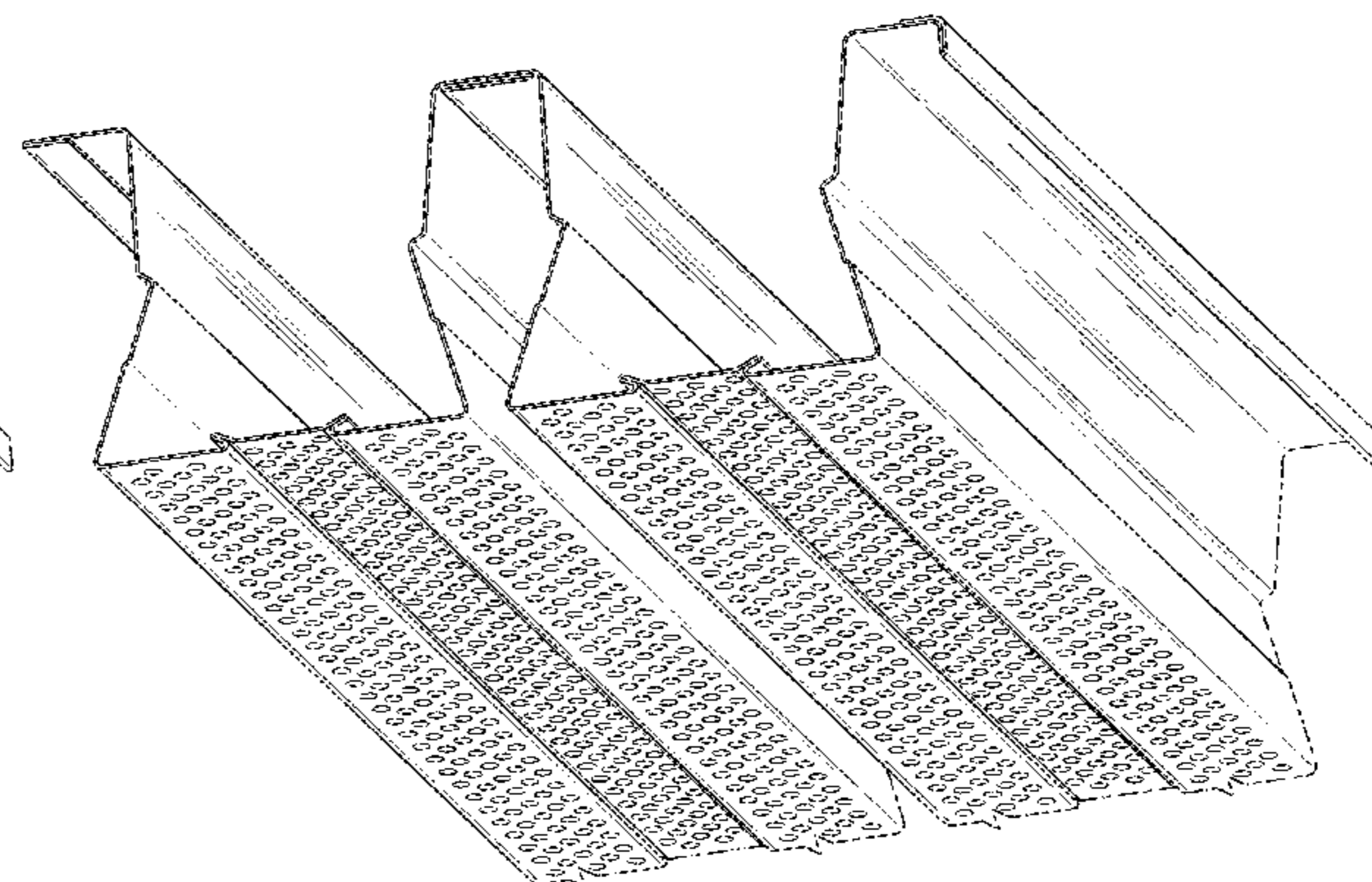
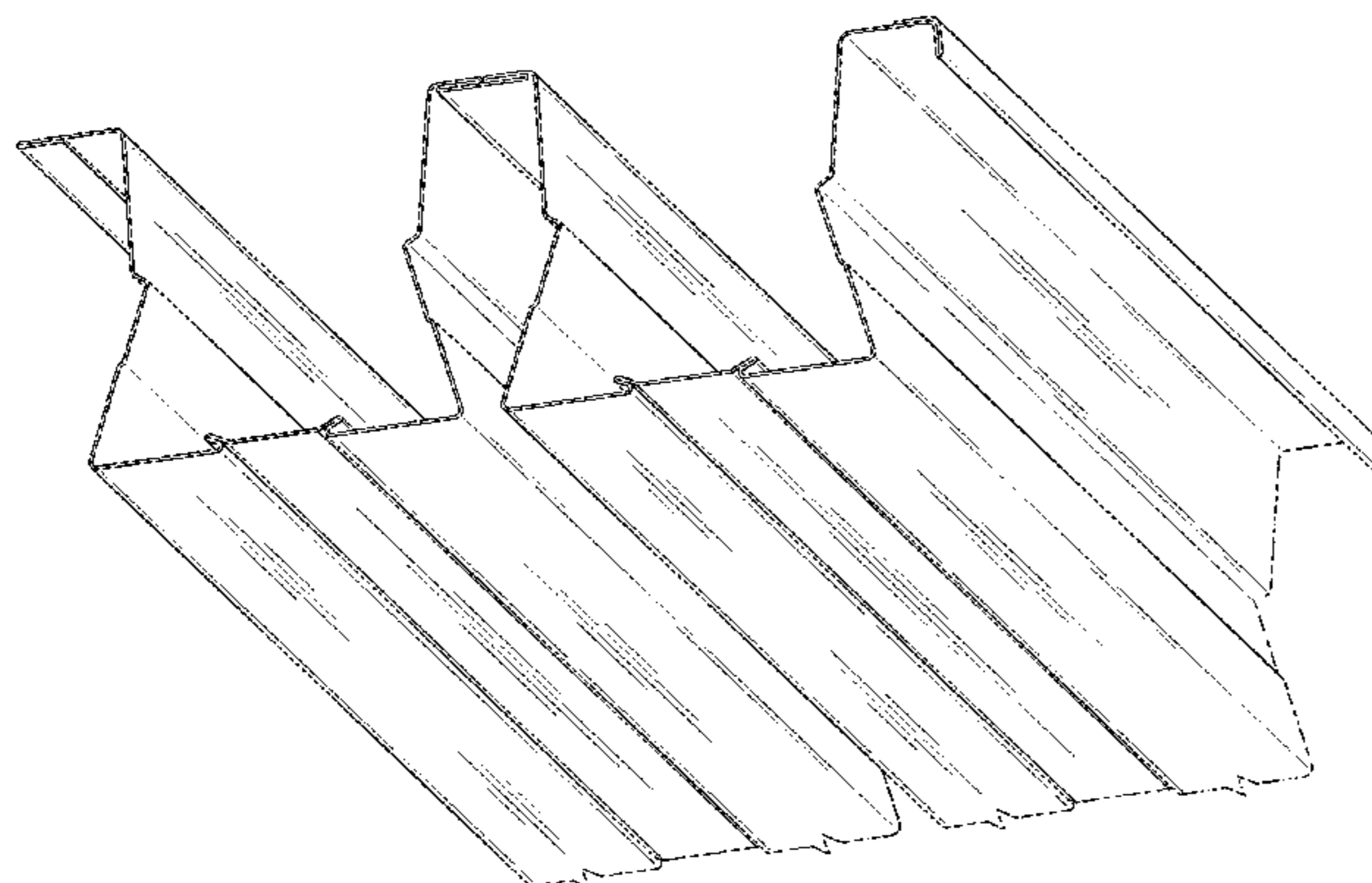
FIG. 14 is a top view thereof;

FIG. 15 is a lower right front perspective view thereof; and, FIG. 16 is another lower right front perspective view of the roofing deck of FIG. 9, shown in an alternate configuration.

The broken lines in FIGS. 8 and 16 showing a roofing deck assembly represent environmental subject matter only and form no part of the claimed design.

In FIGS. 3-8, 11-16, the roofing deck is shown with a symbolic break in its length, the appearance of any portion of the roofing deck extending beyond the symbolic break forms no part of the claimed design.

**1 Claim, 14 Drawing Sheets**



(56)

**References Cited**

U.S. PATENT DOCUMENTS

4,454,692	A *	6/1984	Ault .....	E04B 5/40 174/486
4,507,900	A	4/1985	Landis	
D337,169	S *	7/1993	Schipp .....	D25/153
5,393,173	A *	2/1995	Morello .....	E04C 2/08 405/151
D443,368	S *	6/2001	Eaton .....	D25/121
6,415,581	B1 *	7/2002	Shipman .....	E04C 2/322 428/593
D507,665	S	7/2005	Ryan et al.	
D511,580	S	11/2005	Ryan et al.	
D608,464	S	1/2010	Ryan	
D622,417	S	8/2010	Ryan	
D623,773	S *	9/2010	Ryan .....	D25/153
D648,445	S *	11/2011	Ryan .....	D25/121
D655,022	S *	2/2012	Ryan .....	D25/121
D663,045	S *	7/2012	Ryan .....	D25/125
D713,554	S	9/2014	Ryan	
D785,209	S	4/2017	Ryan	
D817,519	S	5/2018	Ryan	
D831,234	S *	10/2018	Clayton .....	D25/141
2004/0231272	A1 *	11/2004	Patrick .....	E04C 2/322 52/508
2016/0333584	A1 *	11/2016	Bogh .....	E04C 2/32
2020/0340247	A1 *	10/2020	Ryan .....	E04C 2/324
2020/0354972	A1 *	11/2020	Bogh .....	E04F 15/06

\* cited by examiner

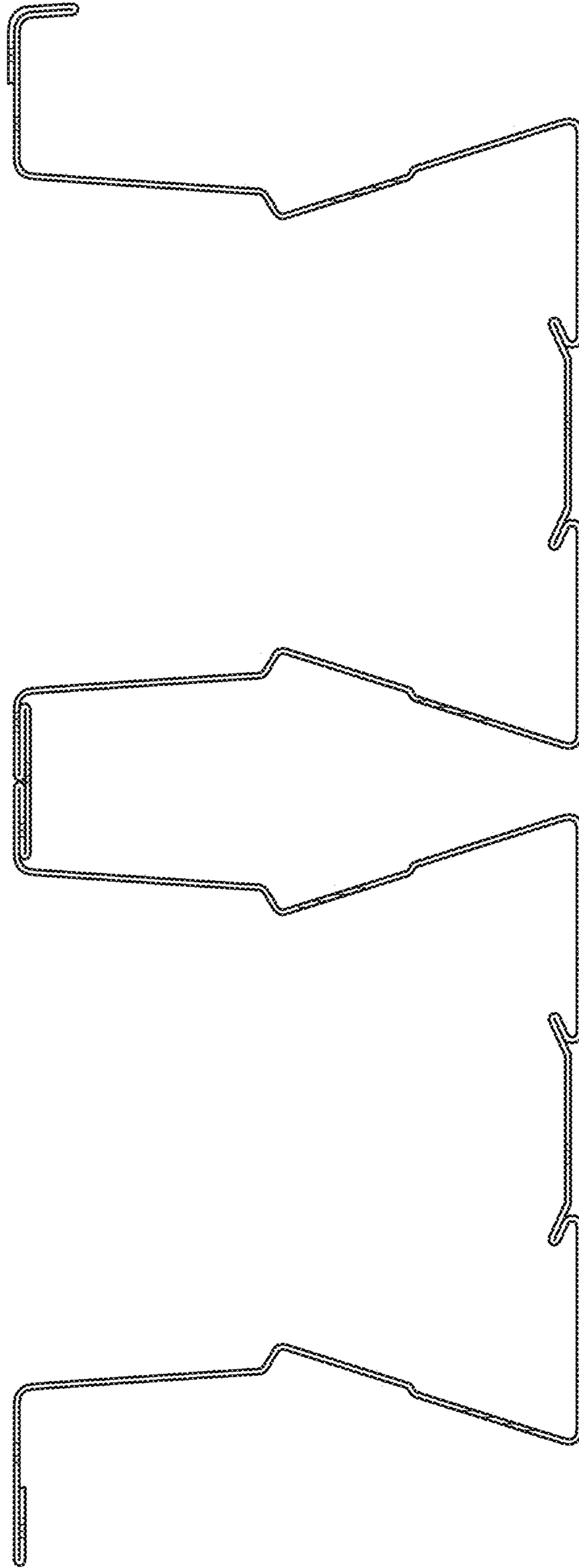


FIG. 1

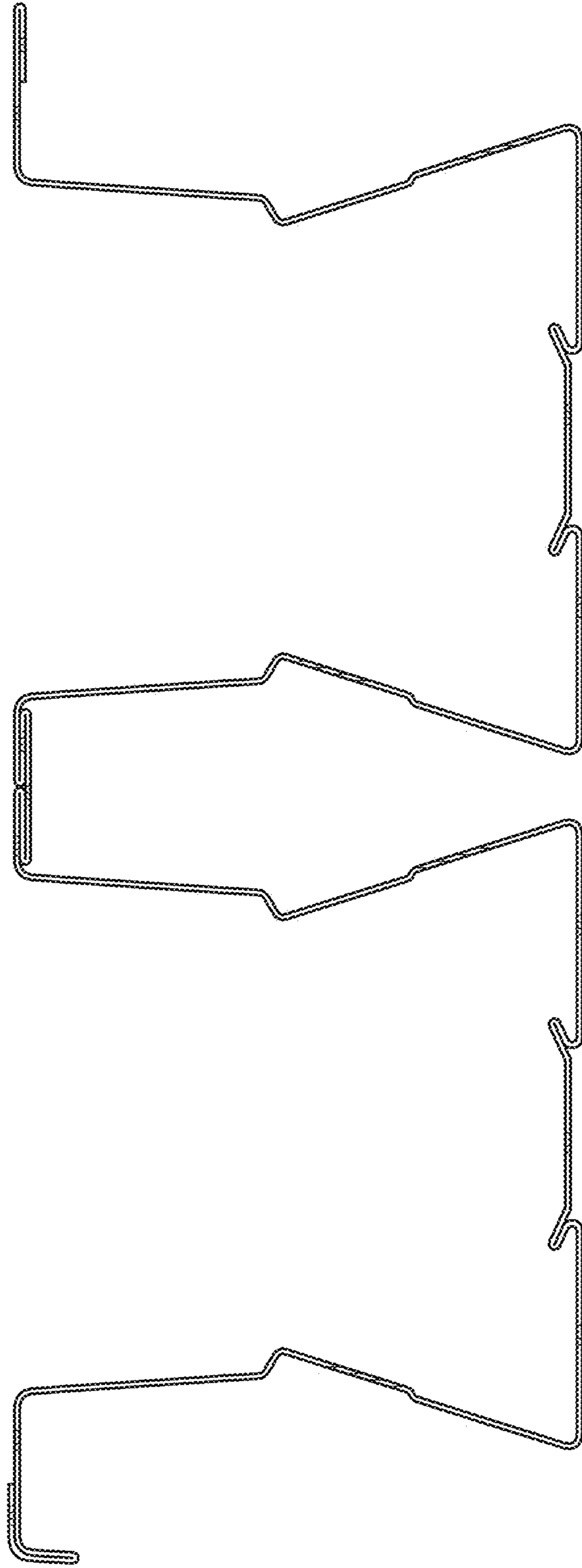


FIG. 2



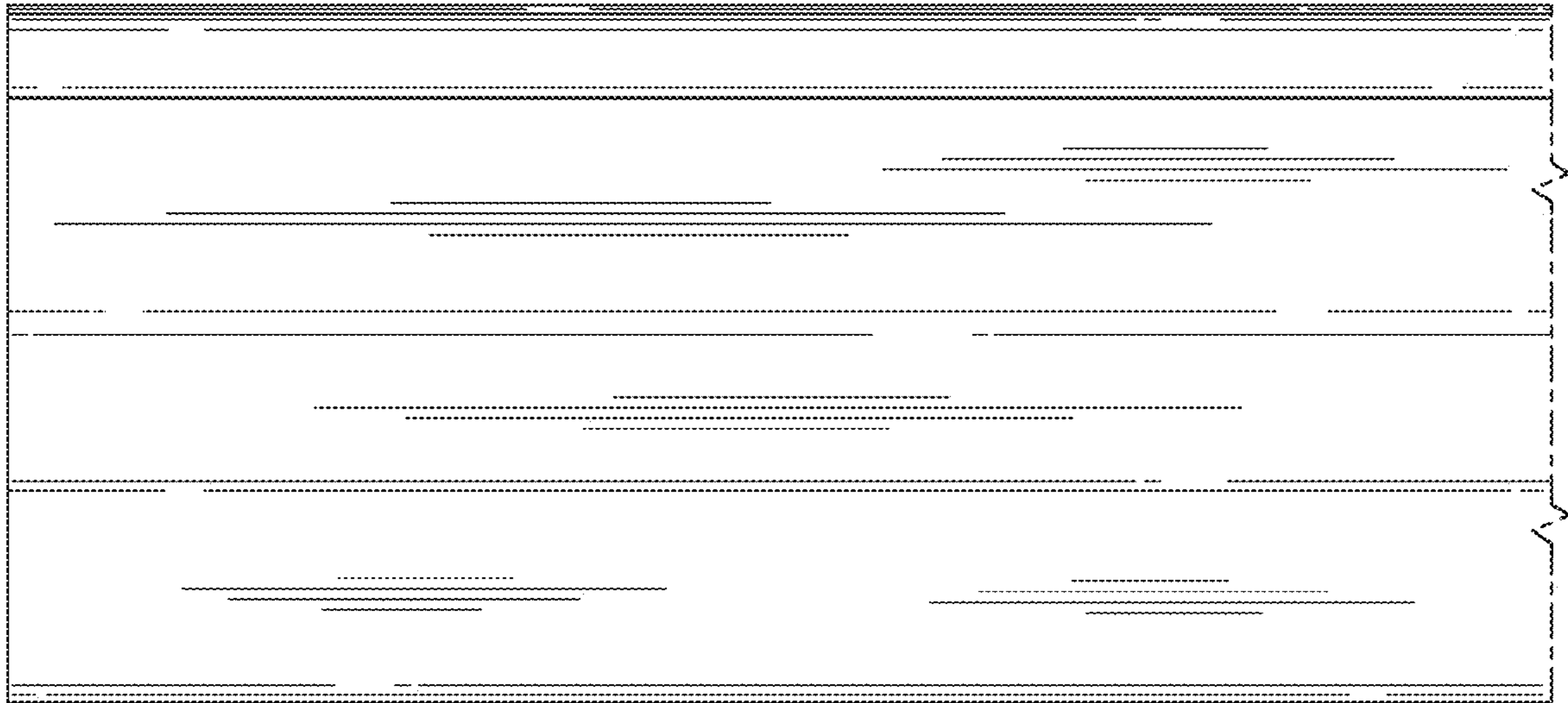


FIG. 3

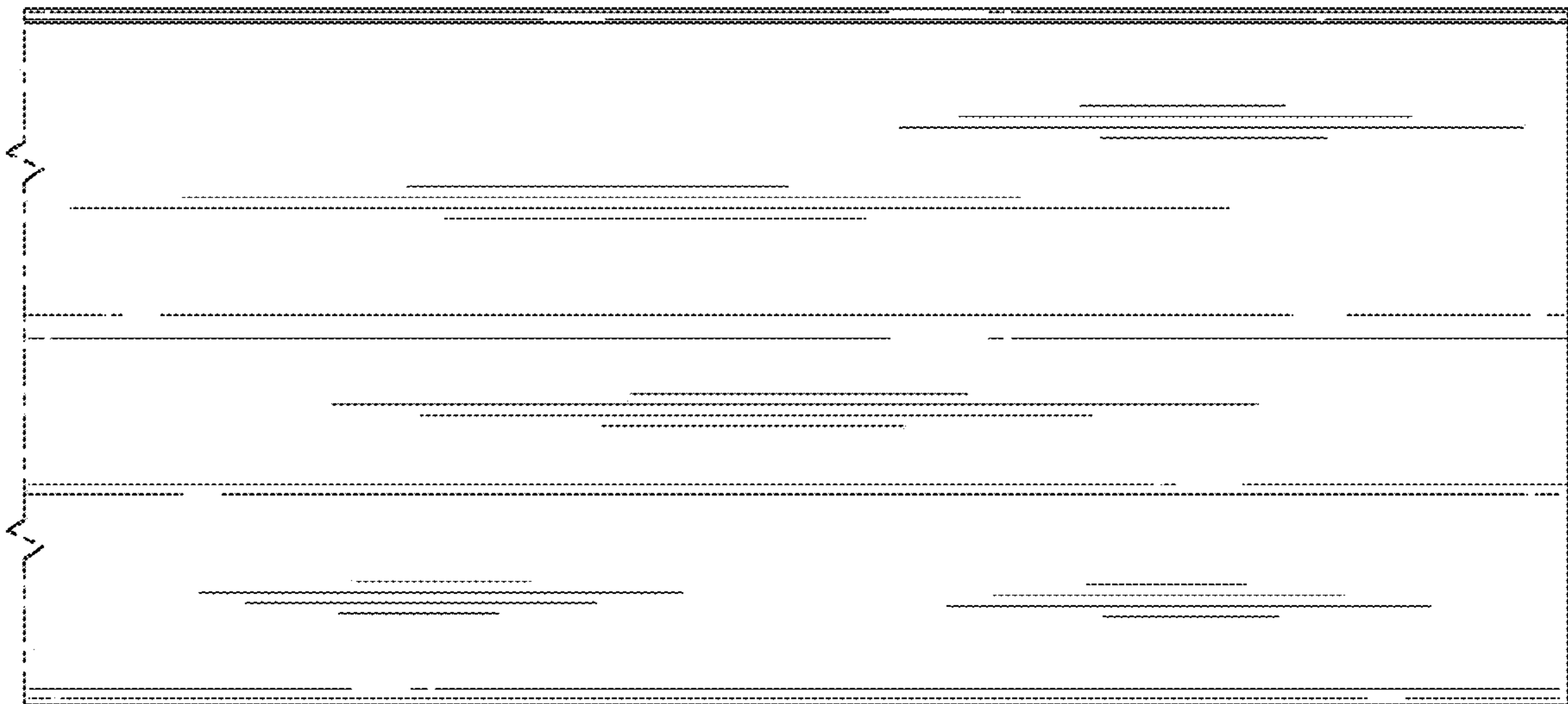


FIG. 4



FIG. 5



FIG. 6

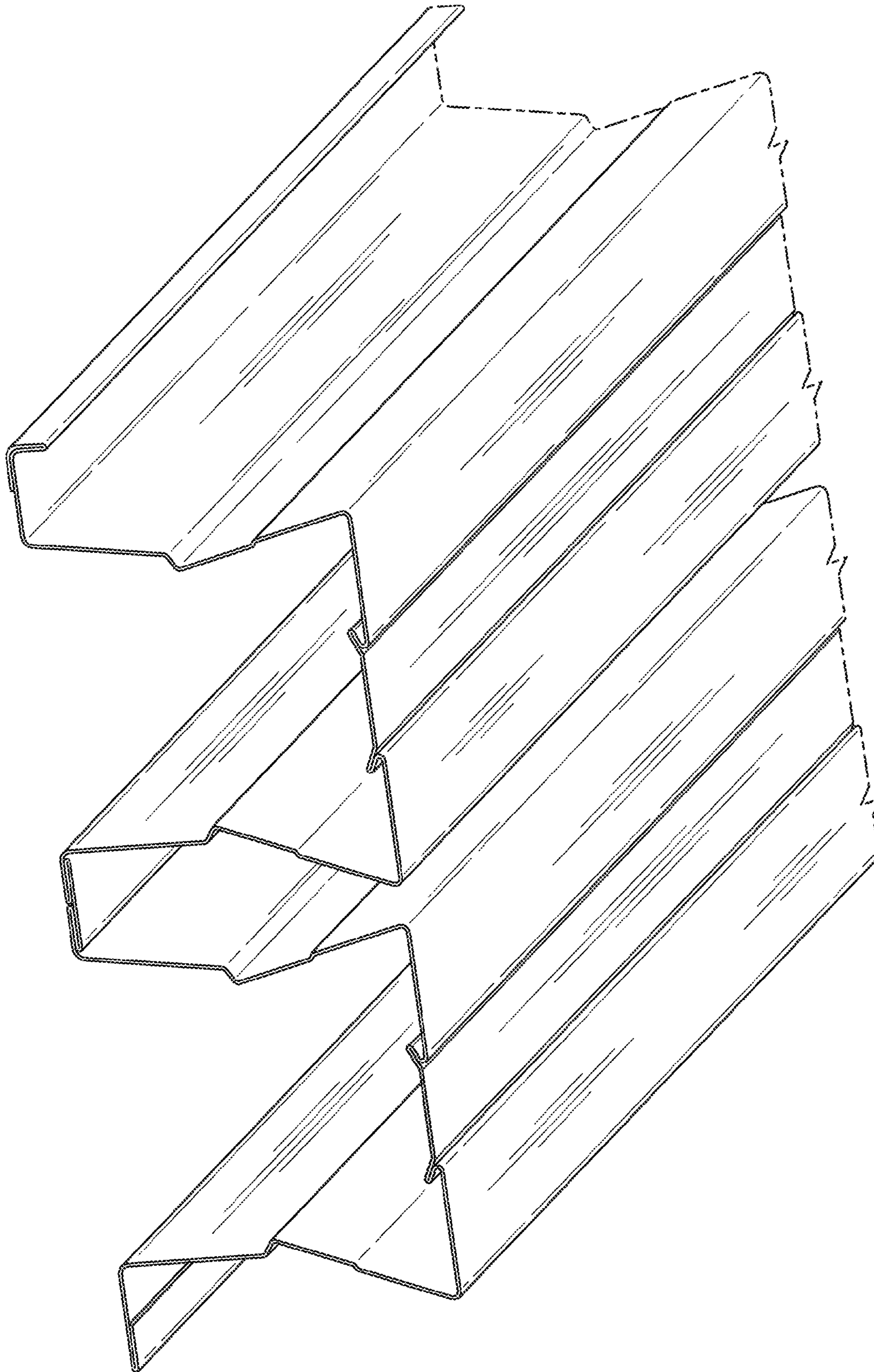


FIG. 7



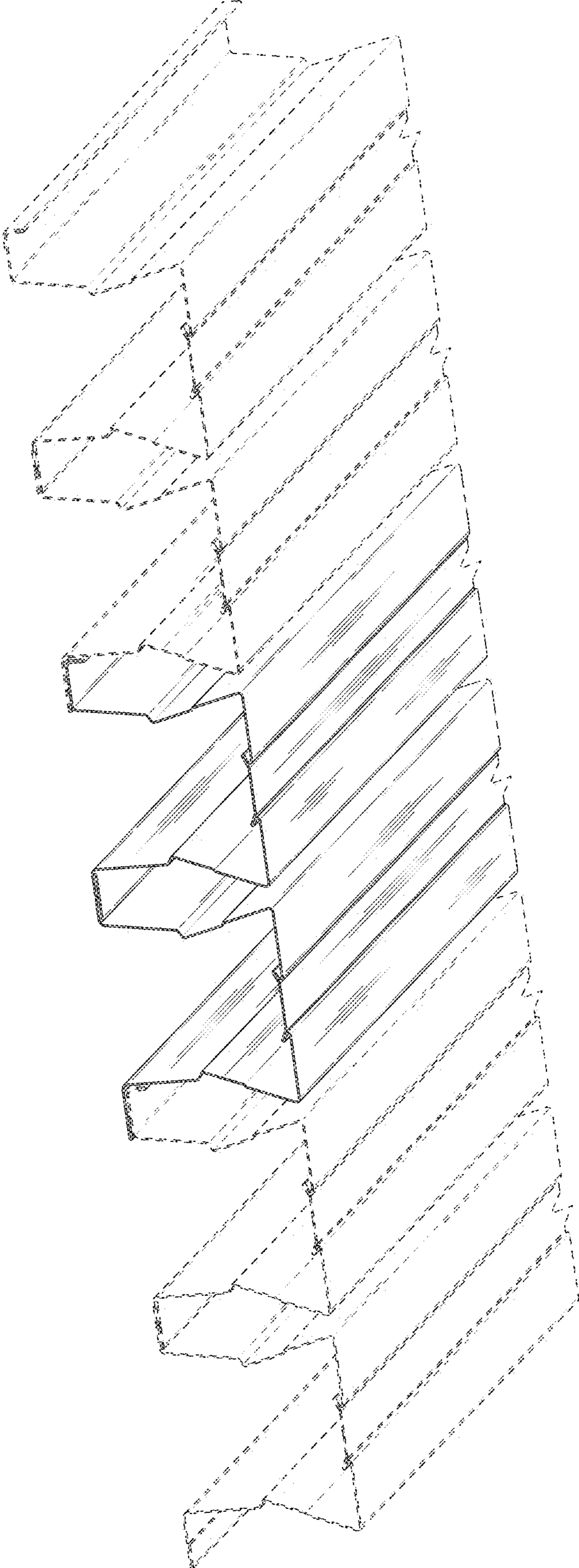


FIG. 8

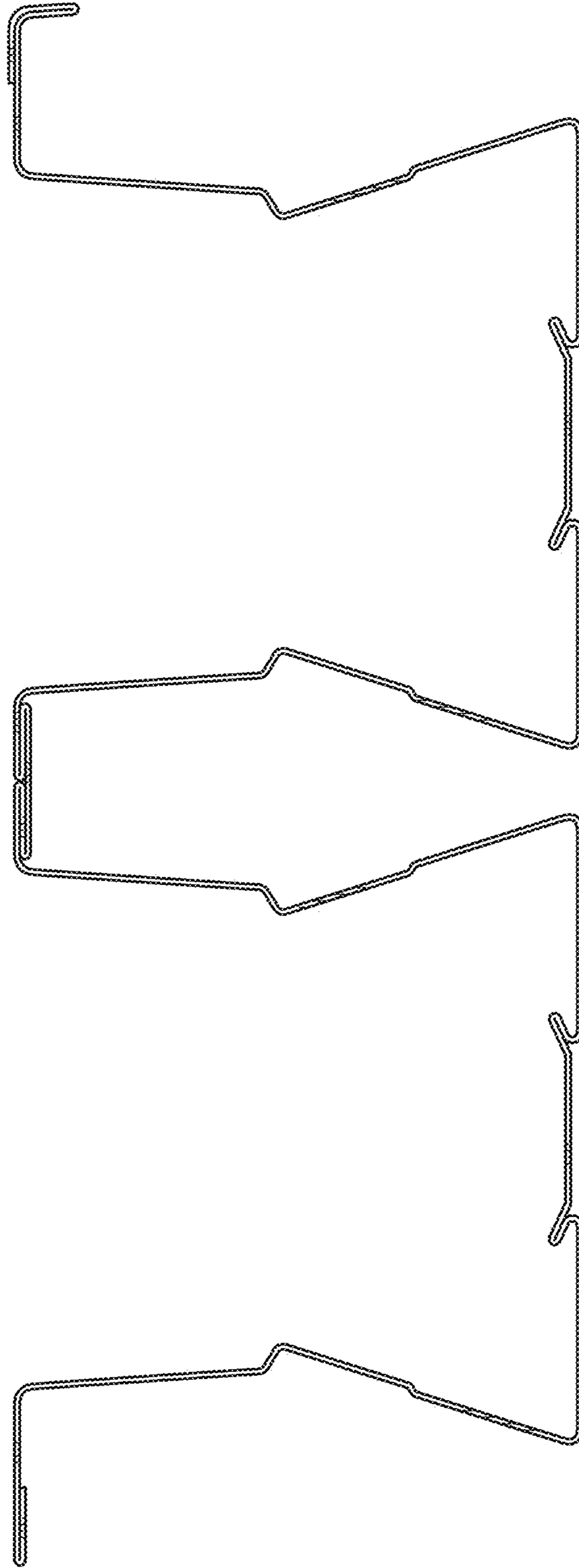


FIG. 9

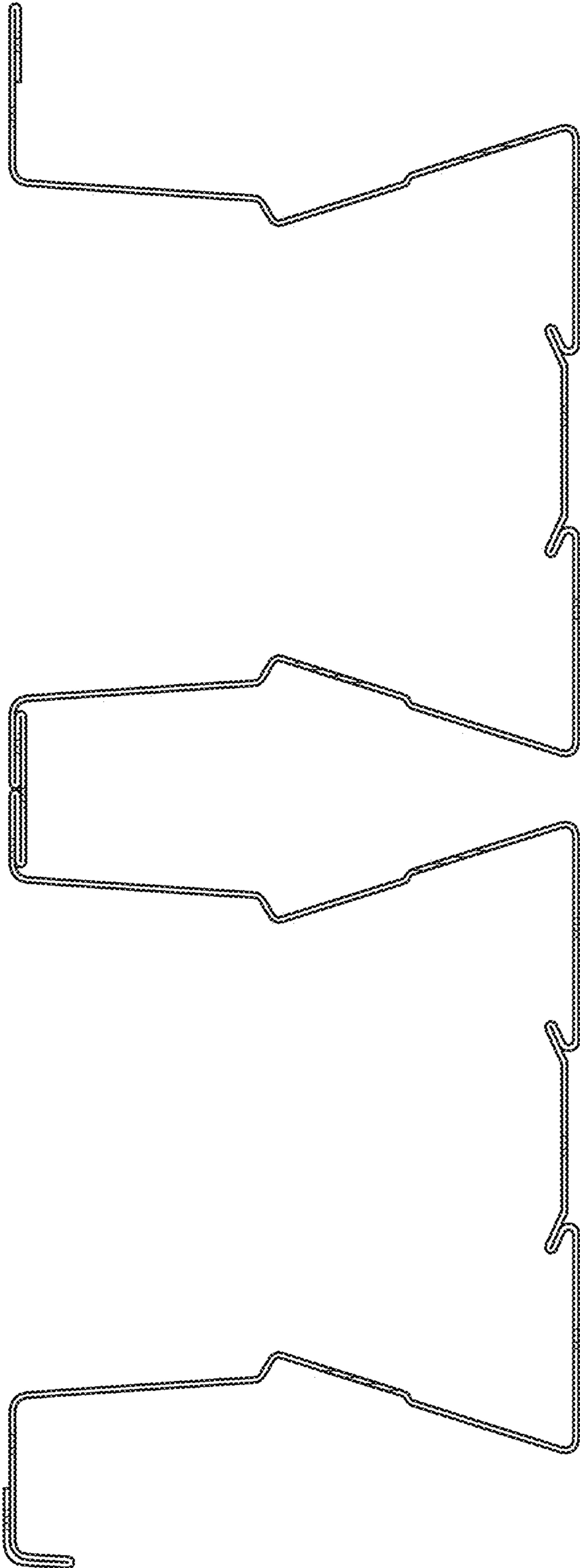


FIG. 10

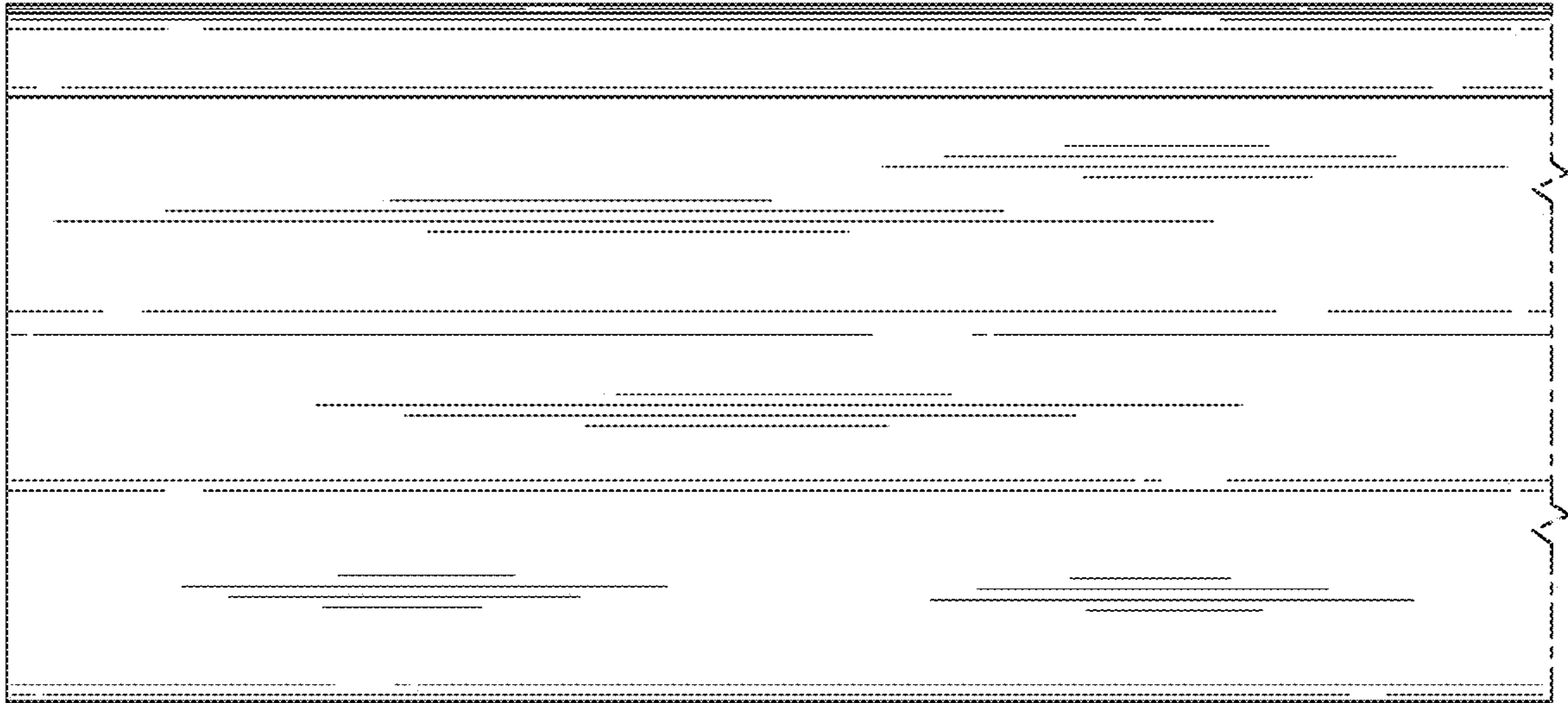


FIG. 11

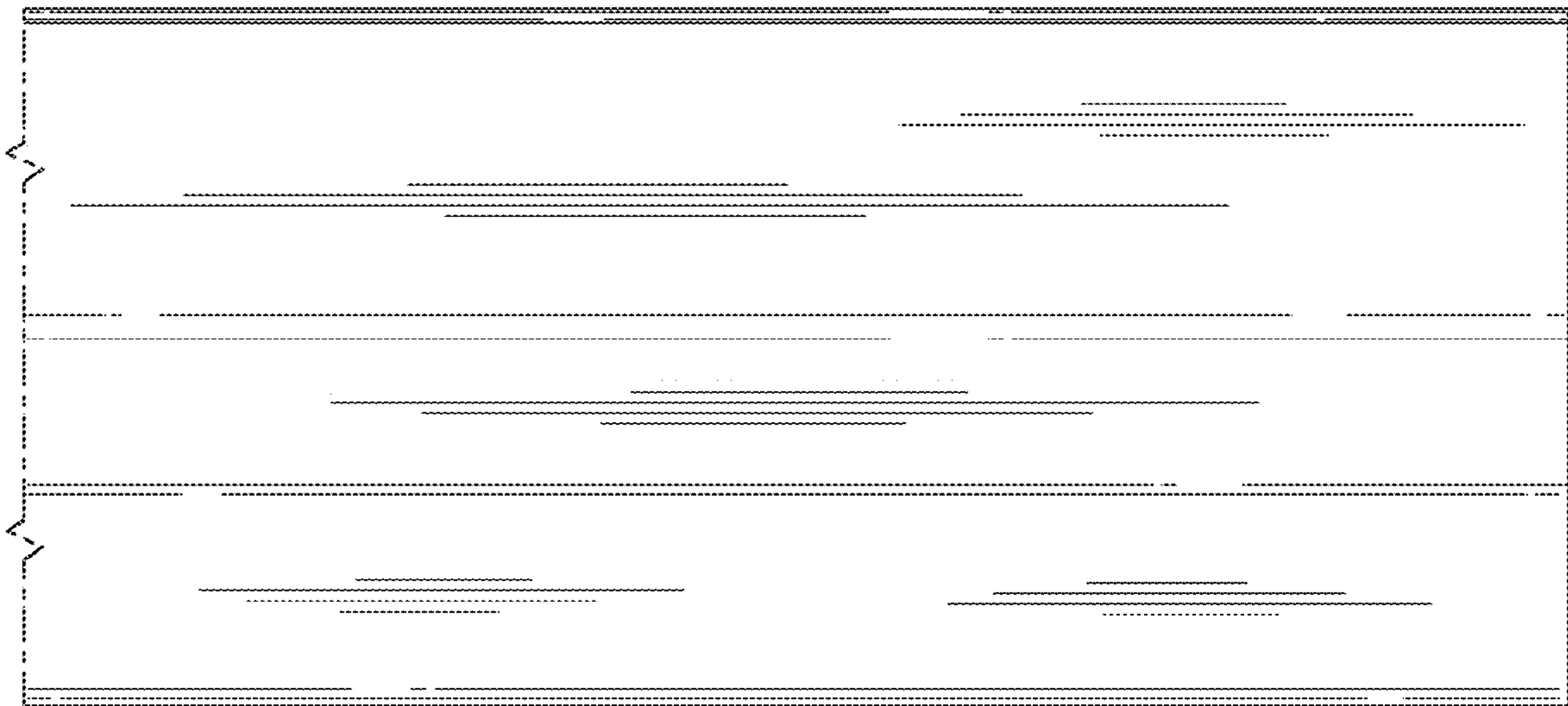


FIG. 12



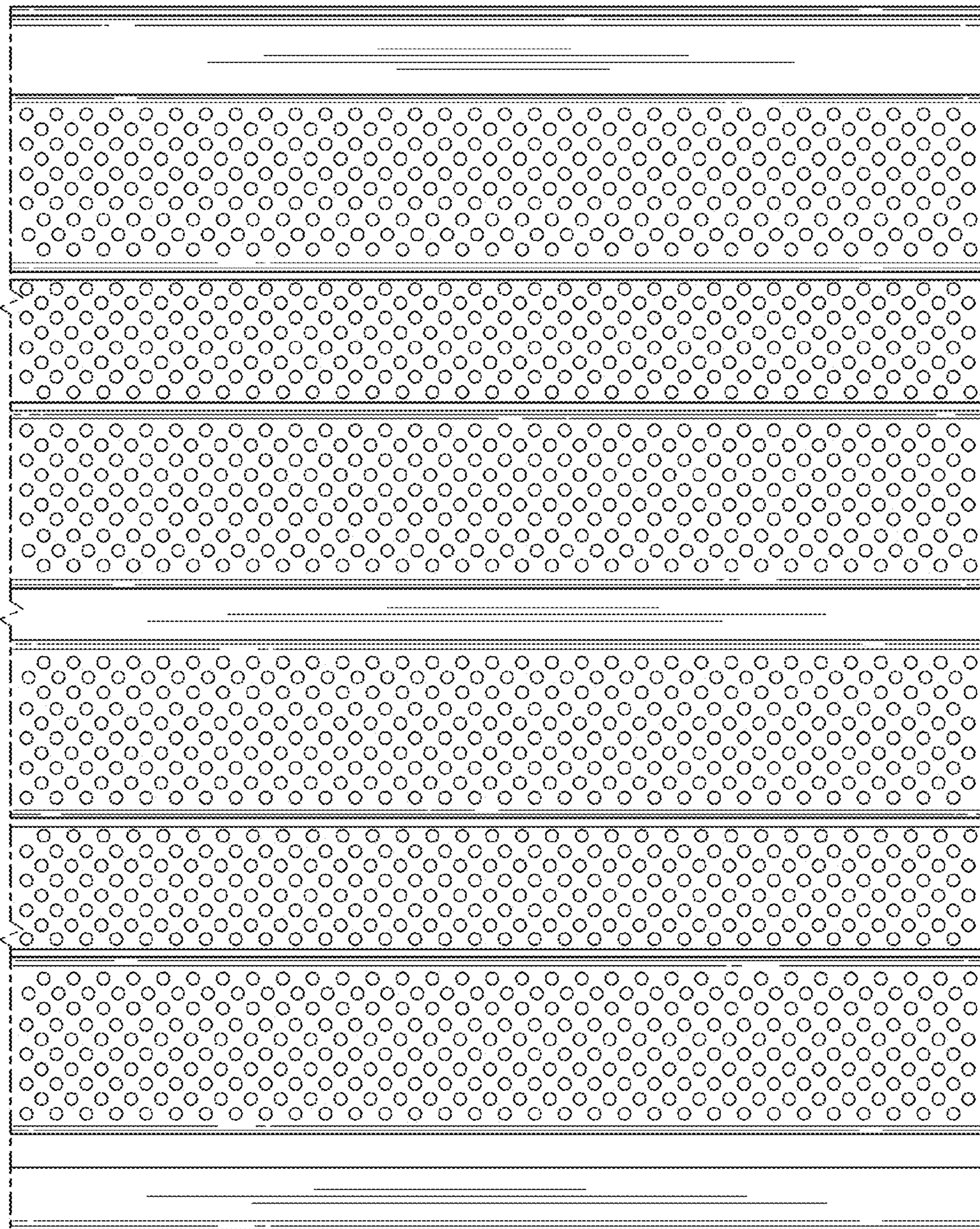


FIG. 13



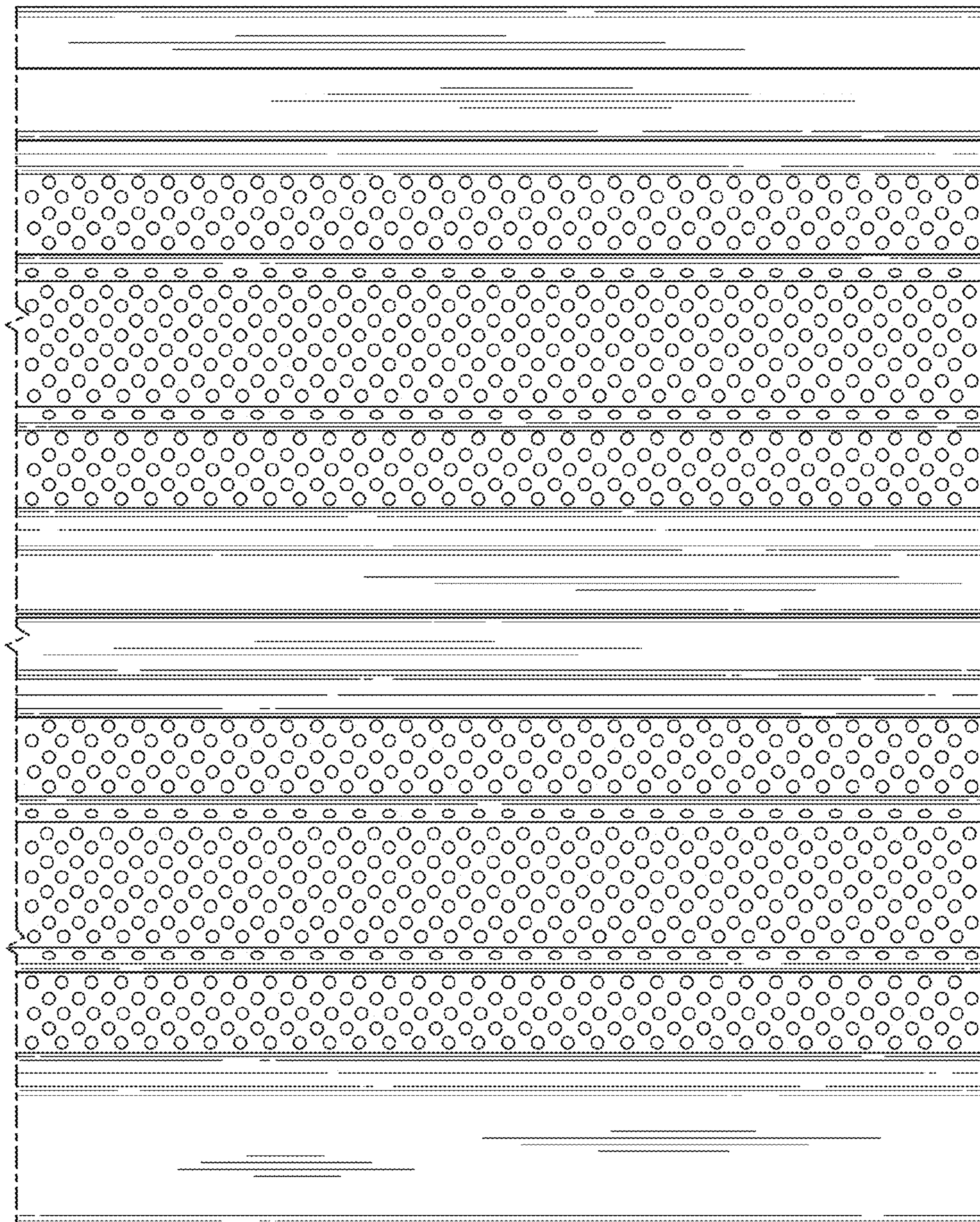


FIG. 14



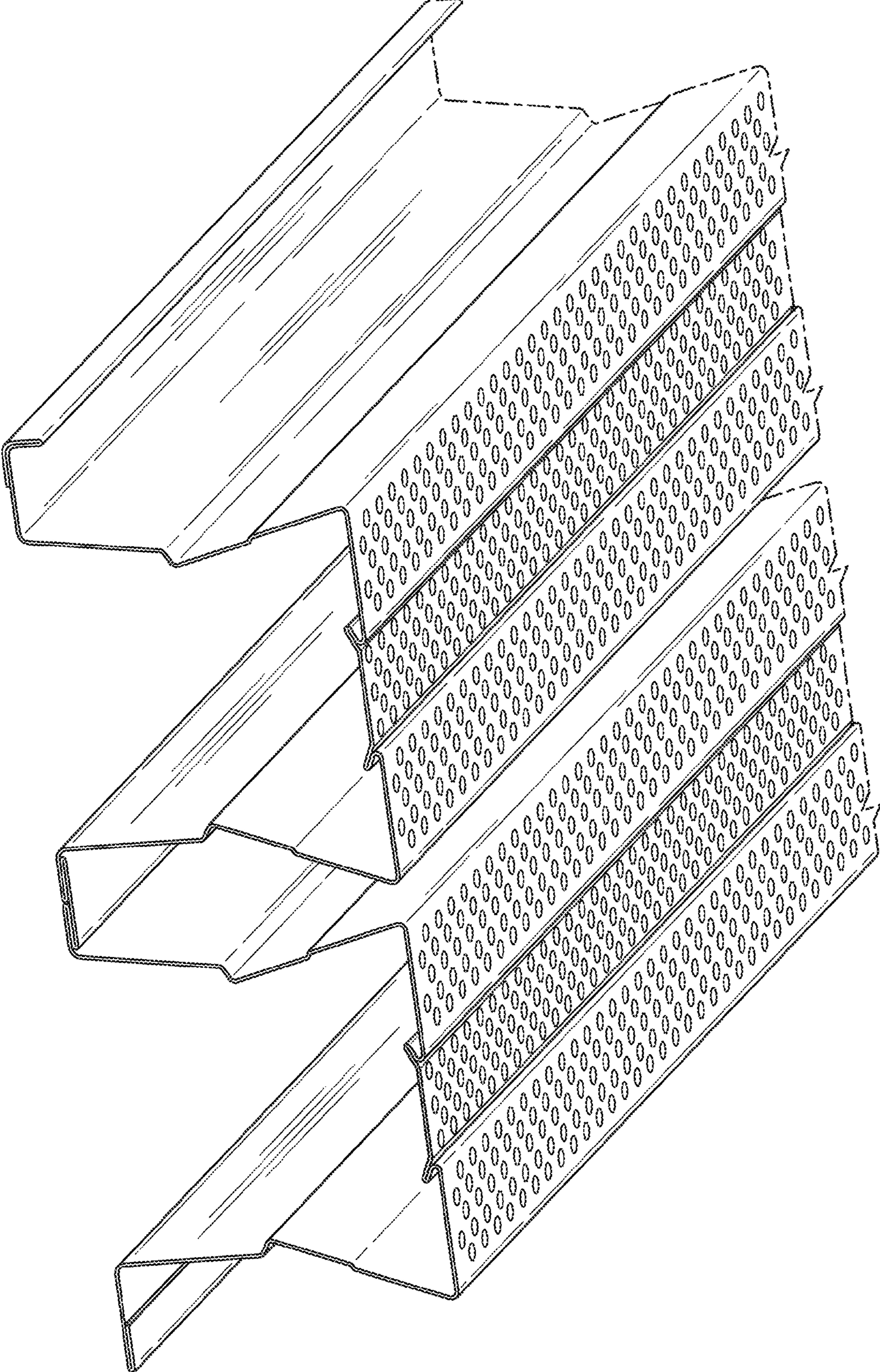


FIG. 15



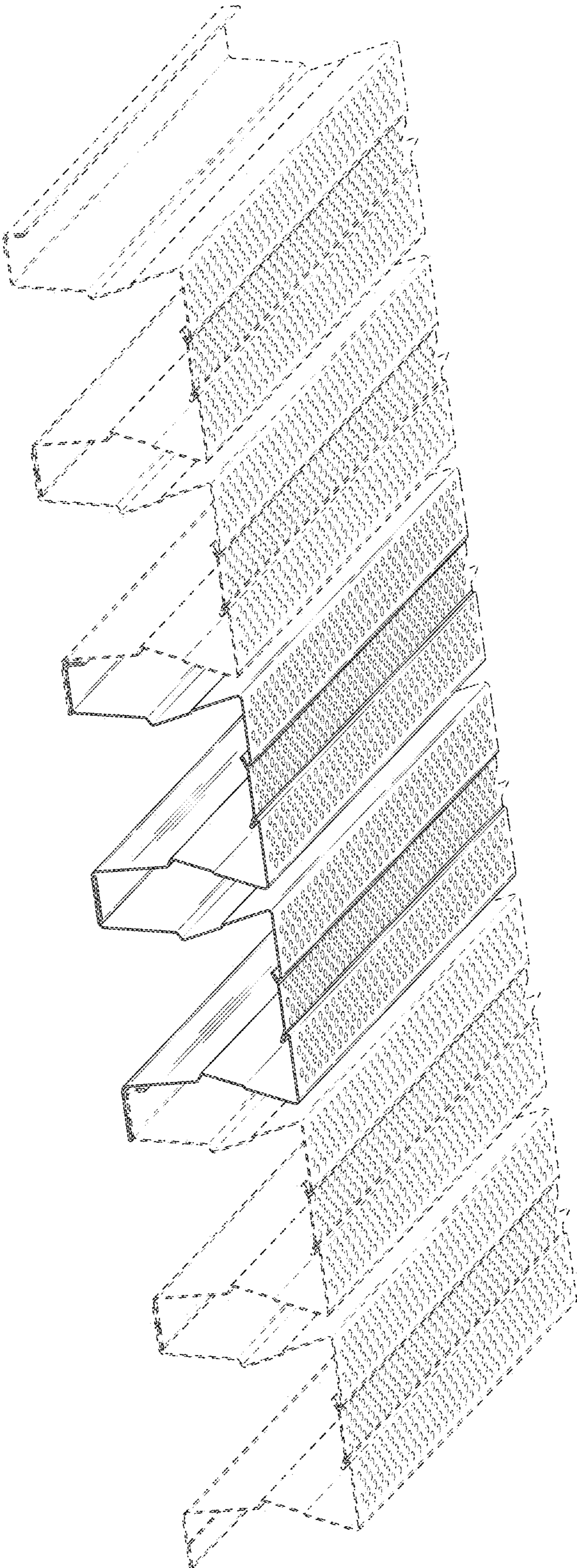


FIG. 16