



US00D949441S

(12) **United States Design Patent**
Ryan

(10) **Patent No.:** **US D949,441 S**
(45) **Date of Patent:** **** Apr. 19, 2022**

- (54) **ROOFING DECK**
- (71) Applicant: **Epic Metals Corporation**, Rankin, PA (US)
- (72) Inventor: **Thomas G. Ryan**, Ligonier, PA (US)
- (73) Assignee: **Epic Metals Corporation**, Rankin, PA (US)
- (**) Term: **15 Years**
- (21) Appl. No.: **29/688,605**
- (22) Filed: **Apr. 23, 2019**
- (51) **LOC (13) Cl.** **25-01**
- (52) **U.S. Cl.**
USPC **D25/143; D25/120**
- (58) **Field of Classification Search**
USPC **D25/119-125, 138, 139, 141-144, 158, D25/159**

(Continued)

(56) **References Cited**

U.S. PATENT DOCUMENTS

- 3,707,088 A * 12/1972 King B21D 13/045
72/178
- 4,133,158 A * 1/1979 Ting E04C 2/322
52/478

(Continued)

OTHER PUBLICATIONS

Epic Metals Corporation, *Toris Roof and Floor Deck Ceiling Systems*, pp. 1-20, 2009, Rankin, PA.

Primary Examiner — Llorelys Martinez
(74) *Attorney, Agent, or Firm* — The Webb Law Firm

(57) **CLAIM**

The ornamental design for a roofing deck, as shown and described.

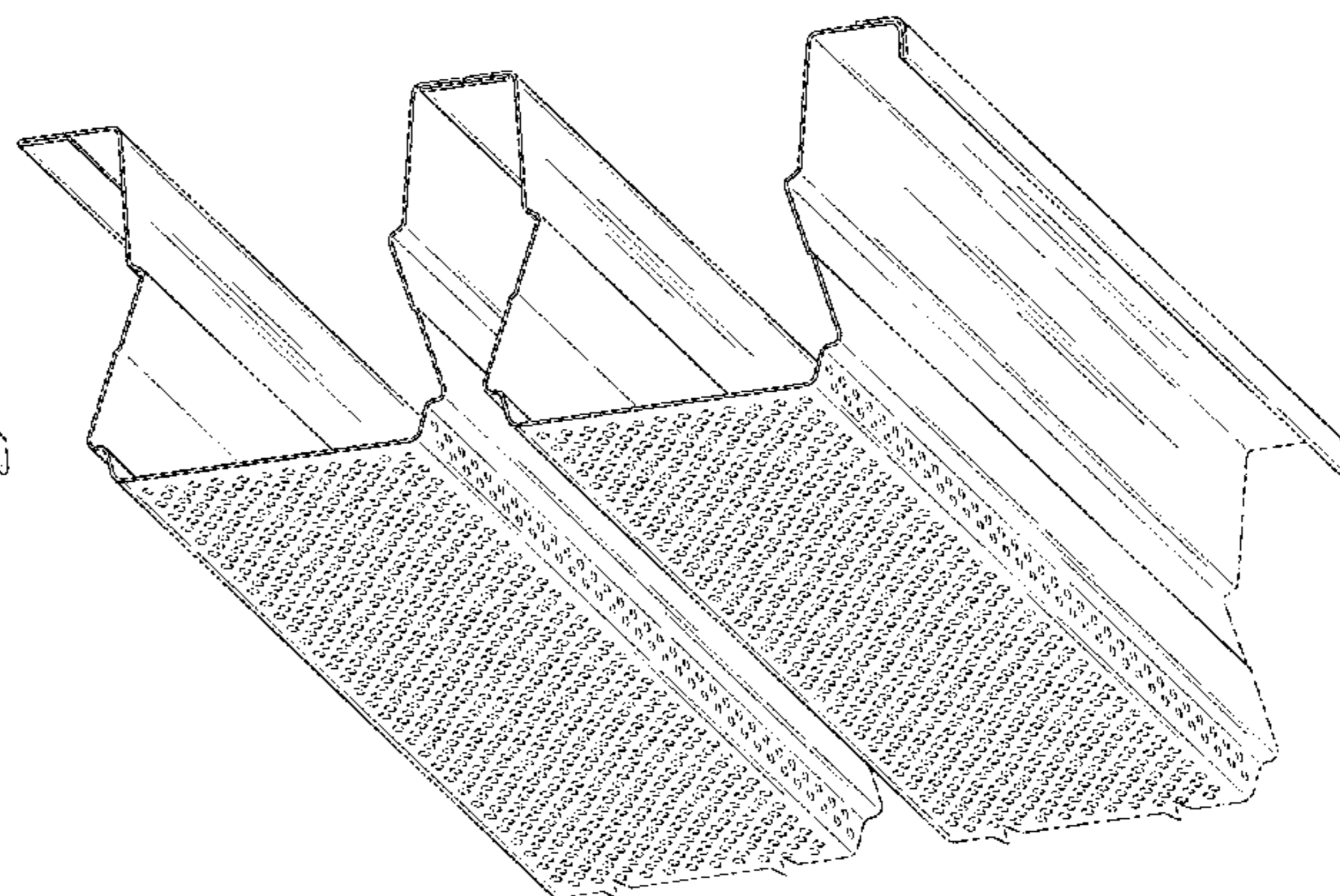
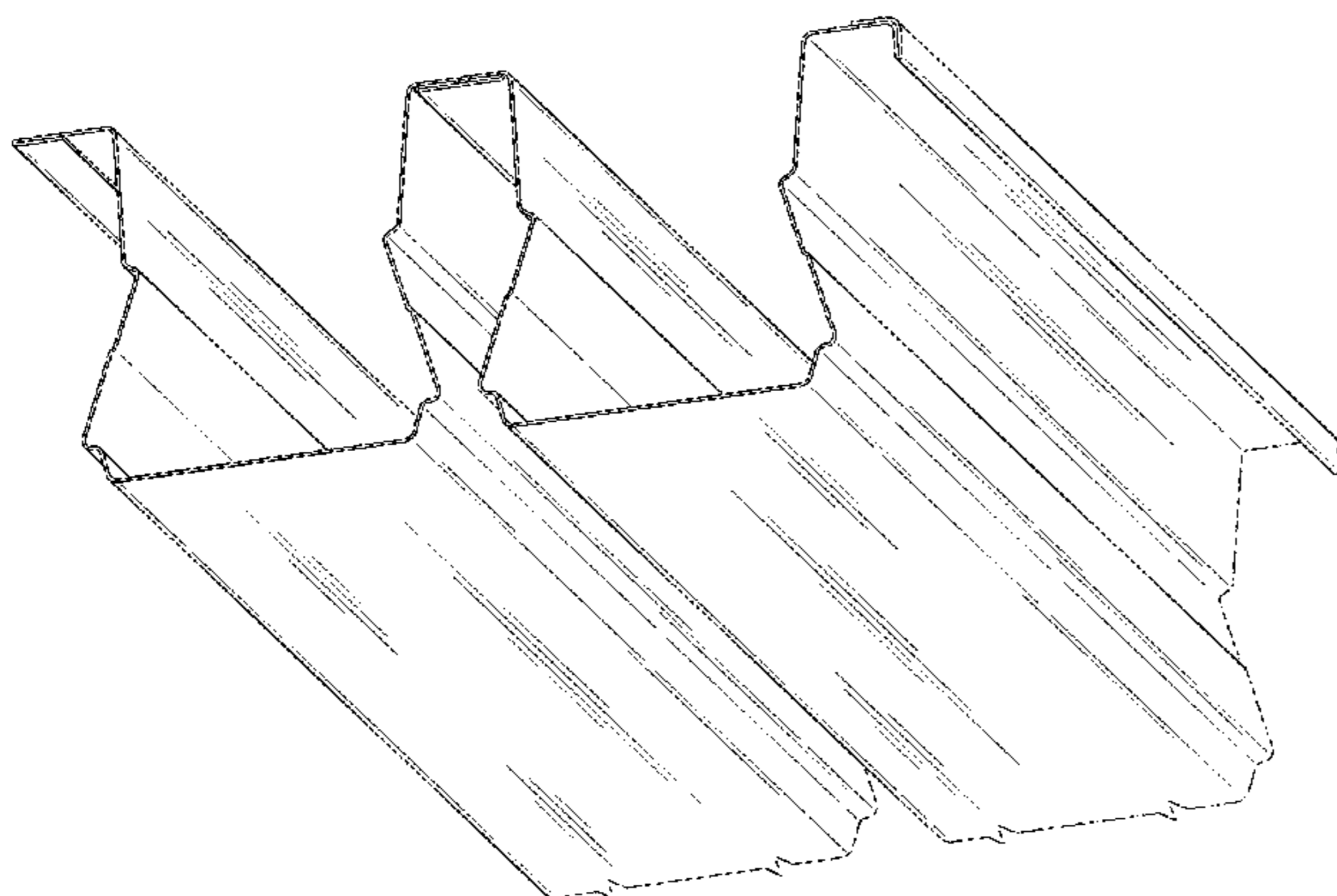
DESCRIPTION

FIG. 1 is a front view of a roofing deck showing my new design in accordance with a first embodiment of the present invention;

FIG. 2 is a rear view thereof;
 FIG. 3 is a right side view thereof;
 FIG. 4 is a left side view thereof;
 FIG. 5 is a bottom view thereof;
 FIG. 6 is a top view thereof;
 FIG. 7 is a lower right front perspective view thereof;
 FIG. 8 is a lower right front perspective view of the roofing deck of FIG. 1, shown in an alternate configuration;
 FIG. 9 is a front view of a roofing deck showing my new design in accordance with a second embodiment of the present invention;
 FIG. 10 is a rear view thereof;
 FIG. 11 is a right side view thereof;
 FIG. 12 is a left side view thereof;
 FIG. 13 is a bottom view thereof;
 FIG. 14 is a top view thereof; and
 FIG. 15 is a lower right front perspective view thereof;
 FIG. 16 is a front view of a roofing deck showing my new design in accordance with a third embodiment of the present invention;
 FIG. 17 is a rear view thereof;
 FIG. 18 is a right side view thereof;
 FIG. 19 is a left side view thereof;
 FIG. 20 is a bottom view thereof;
 FIG. 21 is a top view thereof;
 FIG. 22 is a lower right front perspective view thereof;
 FIG. 23 is a lower right front perspective view of the roofing deck of FIG. 16, shown in an alternate configuration;
 FIG. 24 is a front view of a roofing deck showing my new design in accordance with a fourth embodiment of the present invention;
 FIG. 25 is a rear view thereof;
 FIG. 26 is a right side view thereof;
 FIG. 27 is a left side view thereof;
 FIG. 28 is a bottom view thereof;
 FIG. 29 is a top view thereof; and
 FIG. 30 is a lower right front perspective view thereof.

The broken line showings of FIGS. 9-15 and 24-30 are environmental only and not part of the claimed design. In

(Continued)



FIGS. 3-8, 11-15, 18-23, and 26-30, the roofing deck is shown with a symbolic break in its length, the appearance of any portion of the roofing deck extending beyond the symbolic break forming no part of the claimed design. The broken lines in FIGS. 9-15 and 24-30 represent portions of the roofing deck that form no part of the claimed design. The broken lines in FIGS. 8 and 23 showing a roofing deck assembly represent environmental subject matter only and form no part of the claimed design.

1 Claim, 26 Drawing Sheets

(58) **Field of Classification Search**

CPC E04B 9/0435; E04B 9/0464; E04C 2/08;
E04C 2/32; E04C 2/322; E04D 3/30;
E04D 3/36; E04F 15/06

See application file for complete search history.

(56) **References Cited**

U.S. PATENT DOCUMENTS

D256,620 S * 8/1980 Madsen D25/119

4,454,692 A * 6/1984 Ault E04B 5/40
174/486
D337,169 S * 7/1993 Schipp D25/153
5,393,173 A * 2/1995 Morello E04C 2/08
405/151
D443,368 S * 6/2001 Eaton D25/121
6,415,581 B1 * 7/2002 Shipman E04C 2/322
428/593
D623,773 S 9/2010 Ryan
D648,445 S 11/2011 Ryan
D655,022 S 2/2012 Ryan
D663,045 S 7/2012 Ryan
D713,554 S 9/2014 Ryan
D721,826 S 1/2015 Ryan
D742,549 S 11/2015 Ryan
D785,209 S 4/2017 Ryan
D795,455 S 8/2017 Ryan
9,932,736 B2 4/2018 Ryan et al.
D831,234 S * 10/2018 Clayton D25/141
2004/0231272 A1 * 11/2004 Patrick E04C 2/322
52/508
2016/0333584 A1 * 11/2016 Bogh E04C 2/32
2020/0340247 A1 * 10/2020 Ryan E04C 2/322
2020/0354972 A1 * 11/2020 Bogh E04F 15/06

* cited by examiner

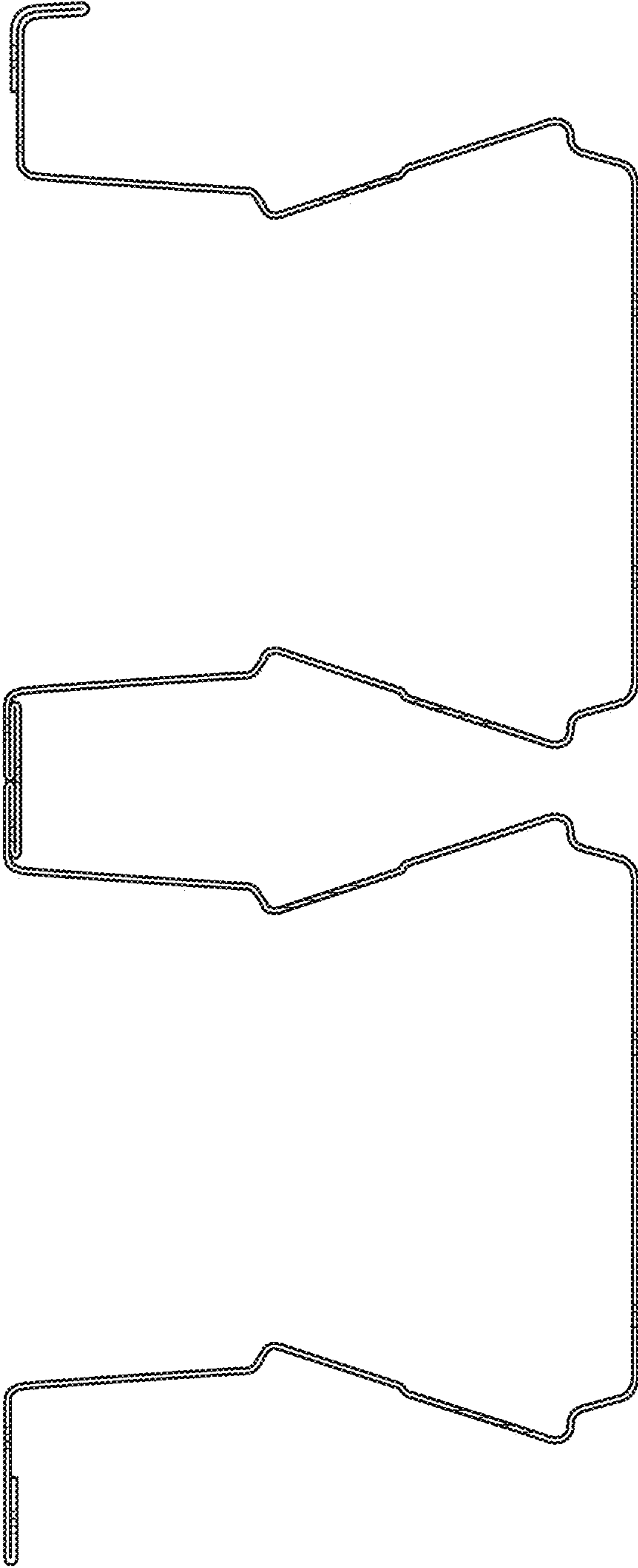


FIG. 1

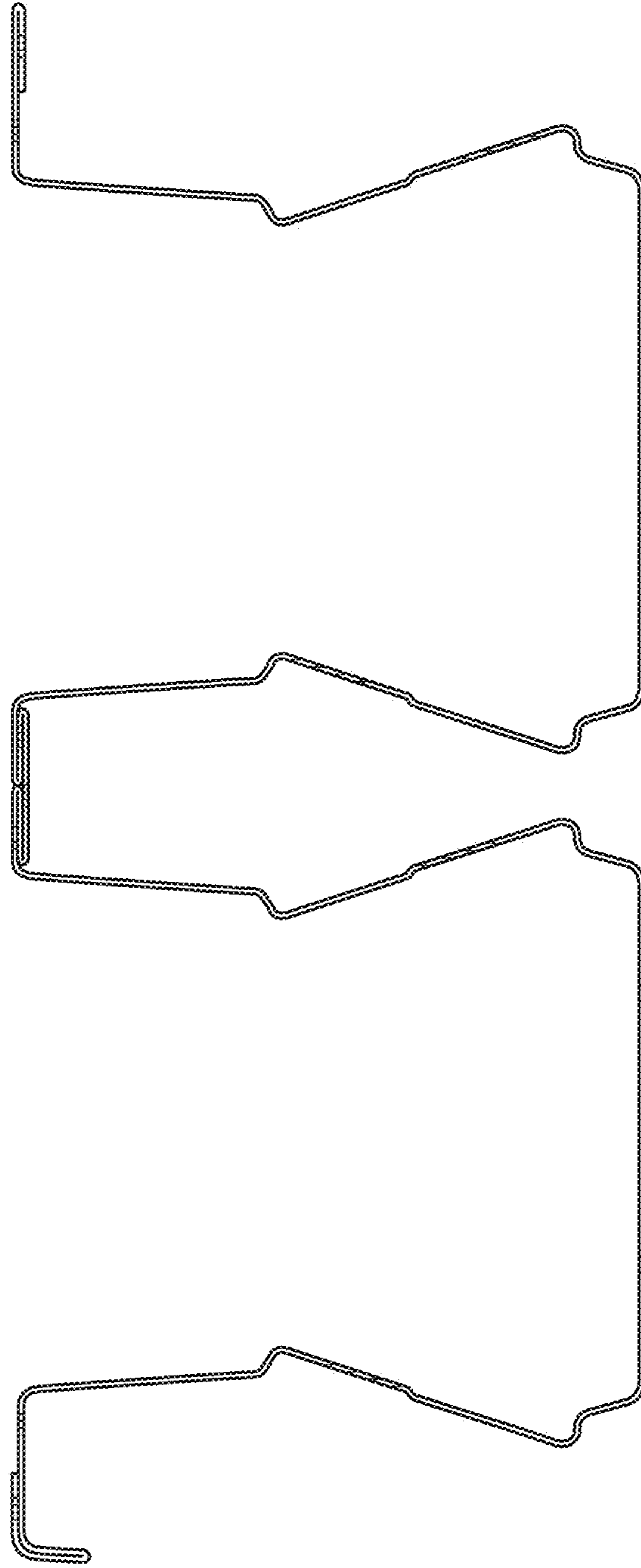


FIG. 2



FIG. 3

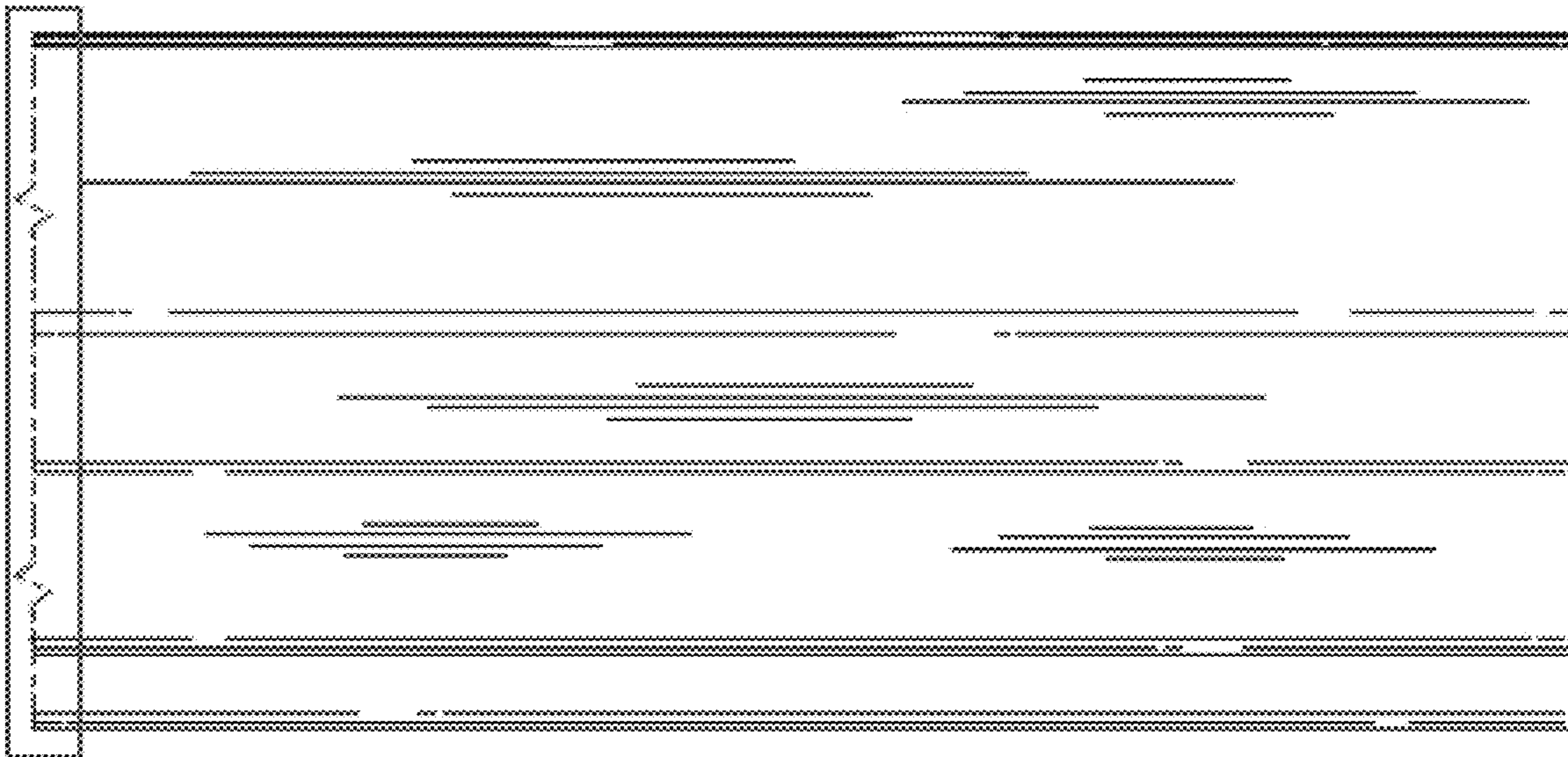


FIG. 4

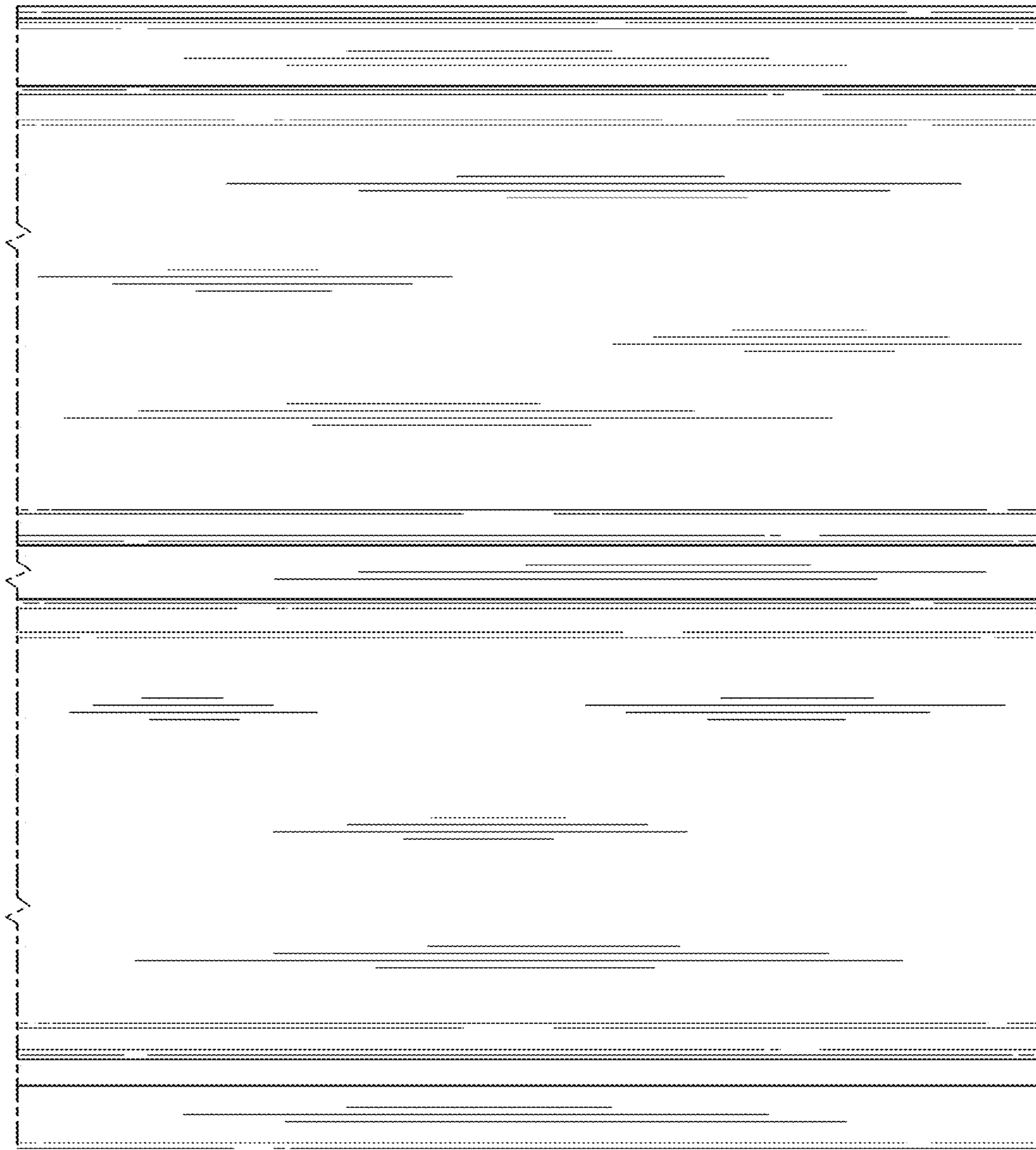


FIG. 5

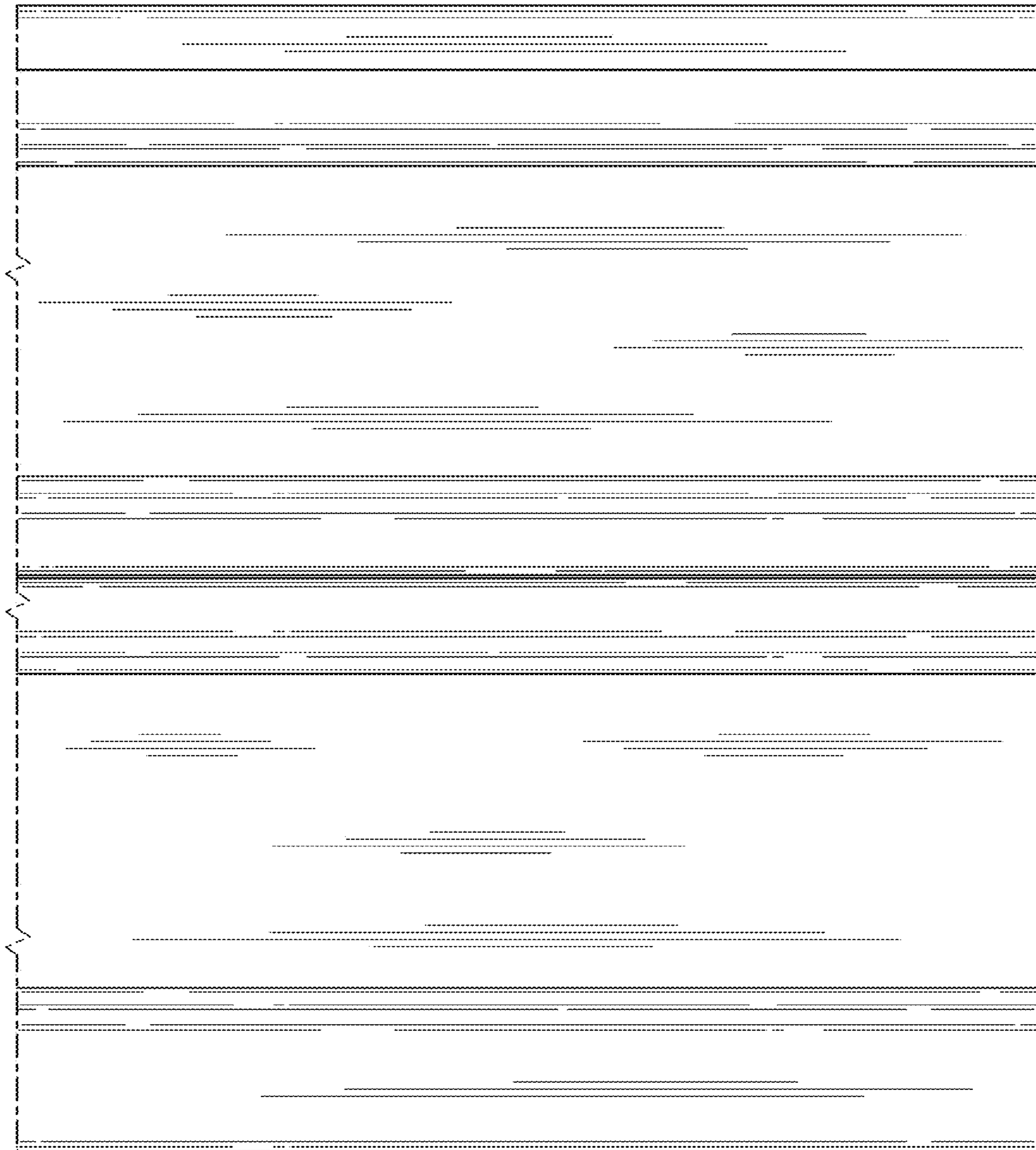


FIG. 6

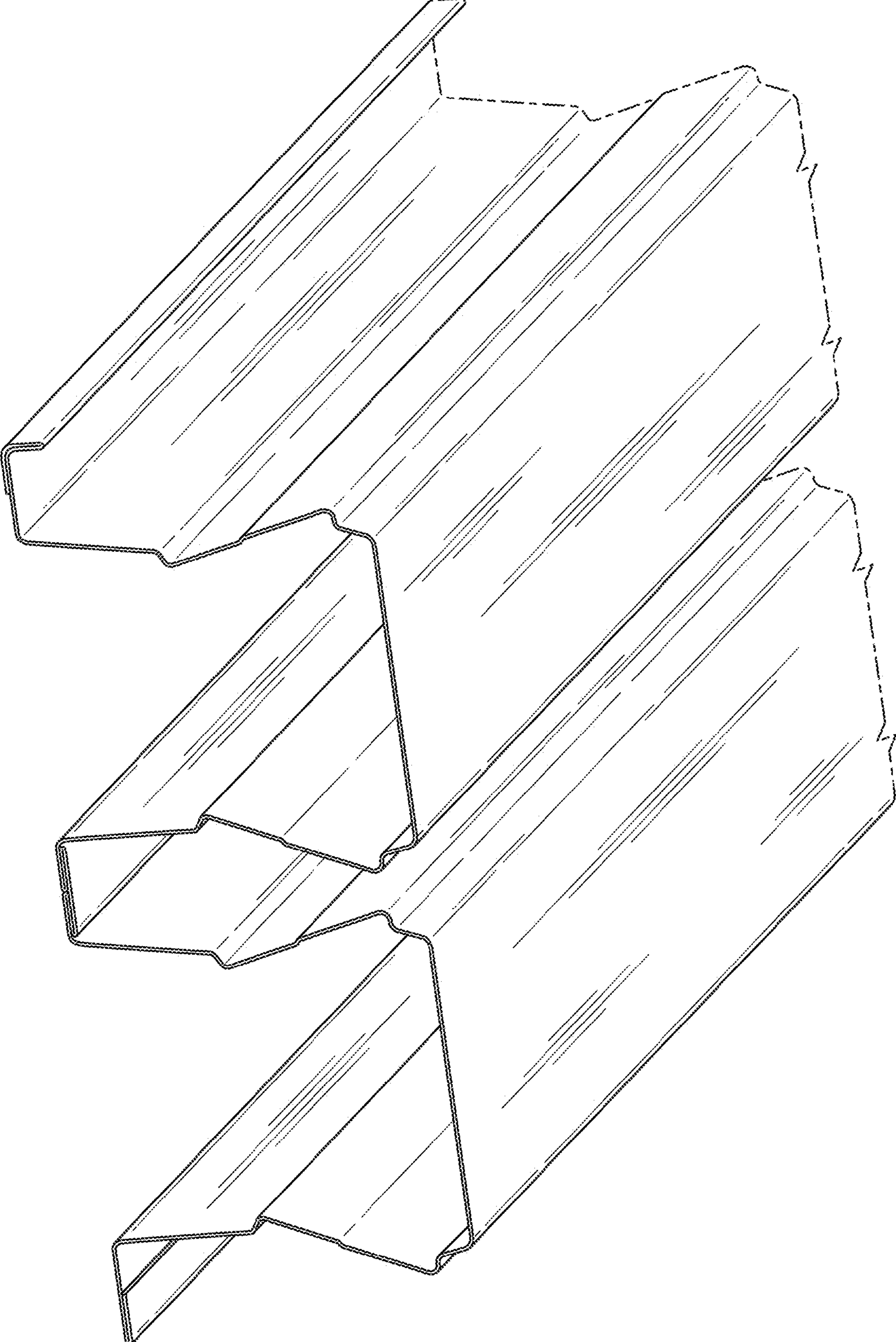


FIG. 7

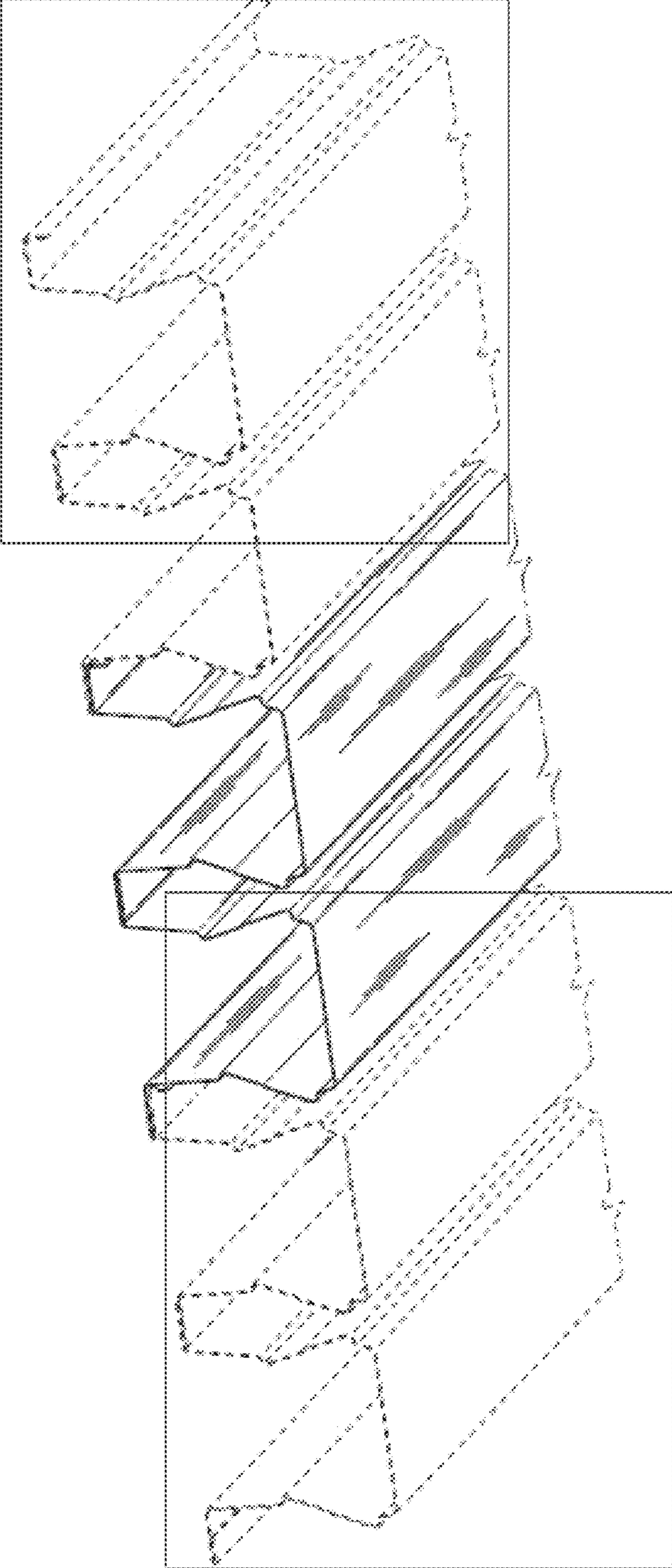


FIG. 8

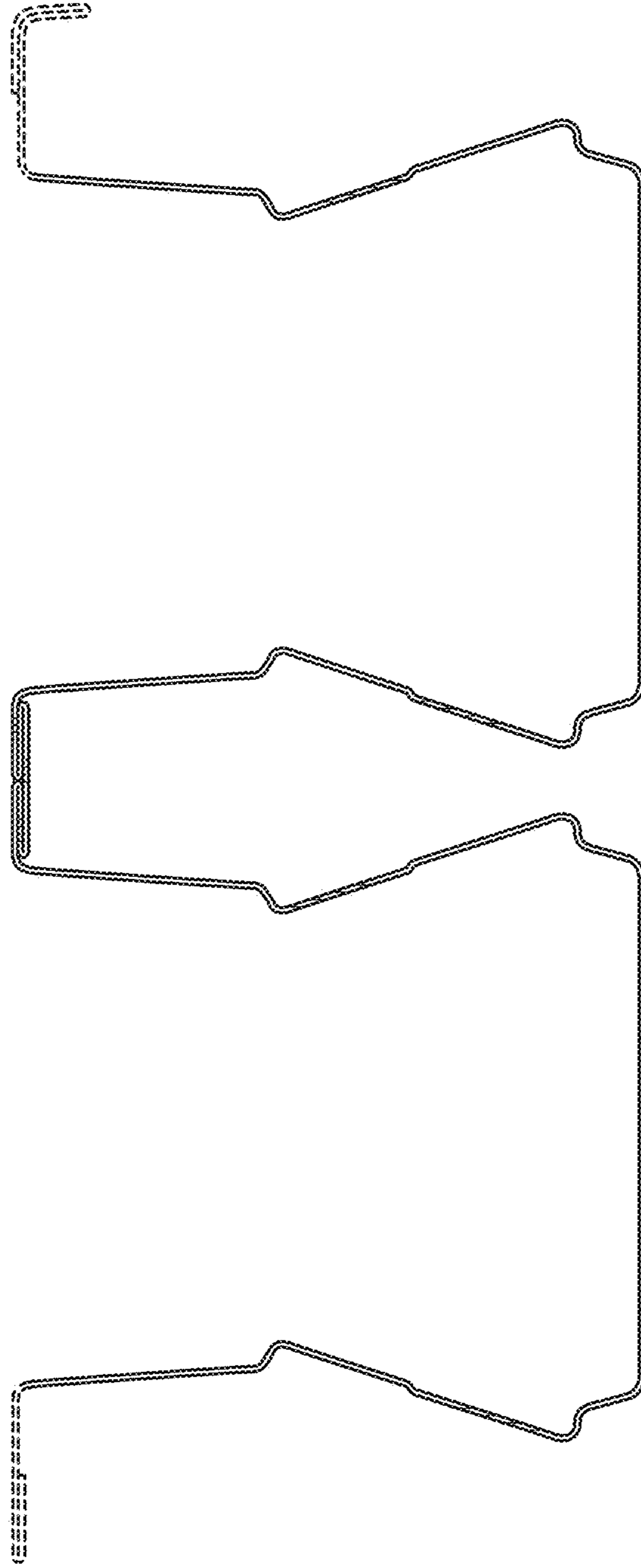


FIG. 9

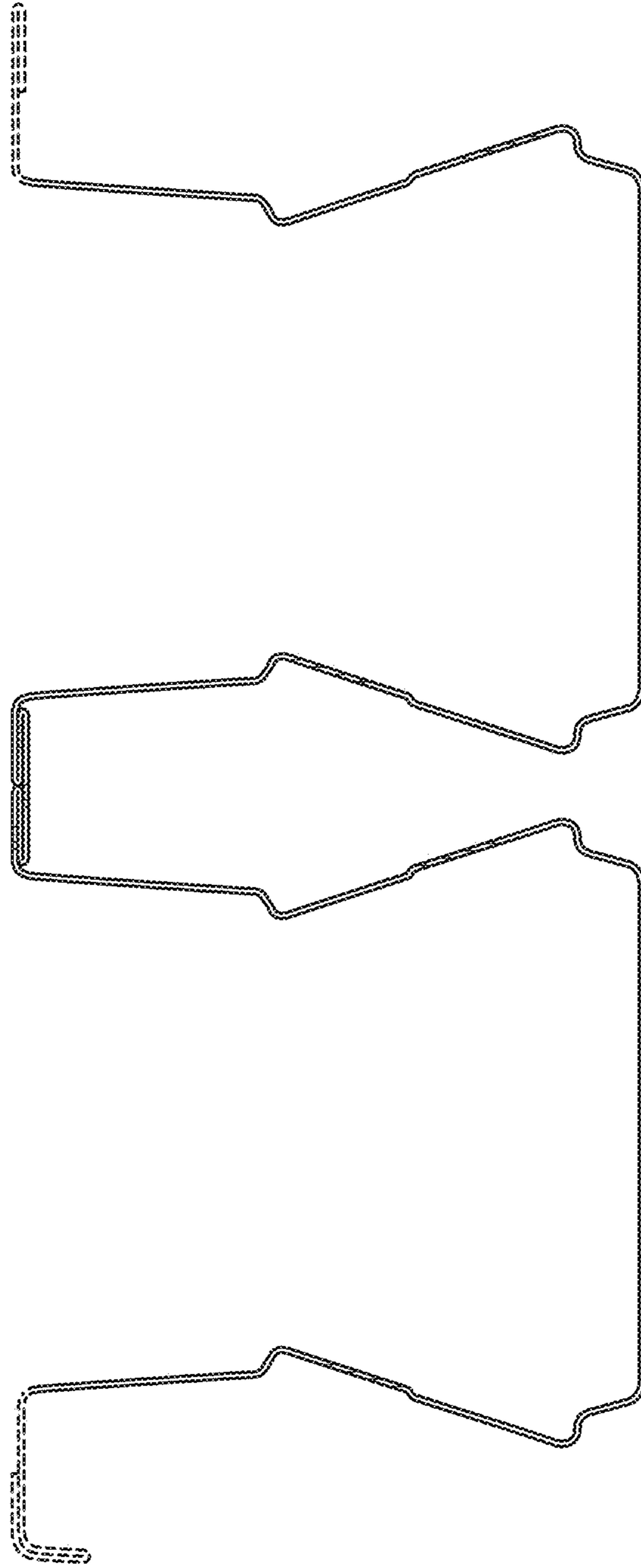


FIG. 10

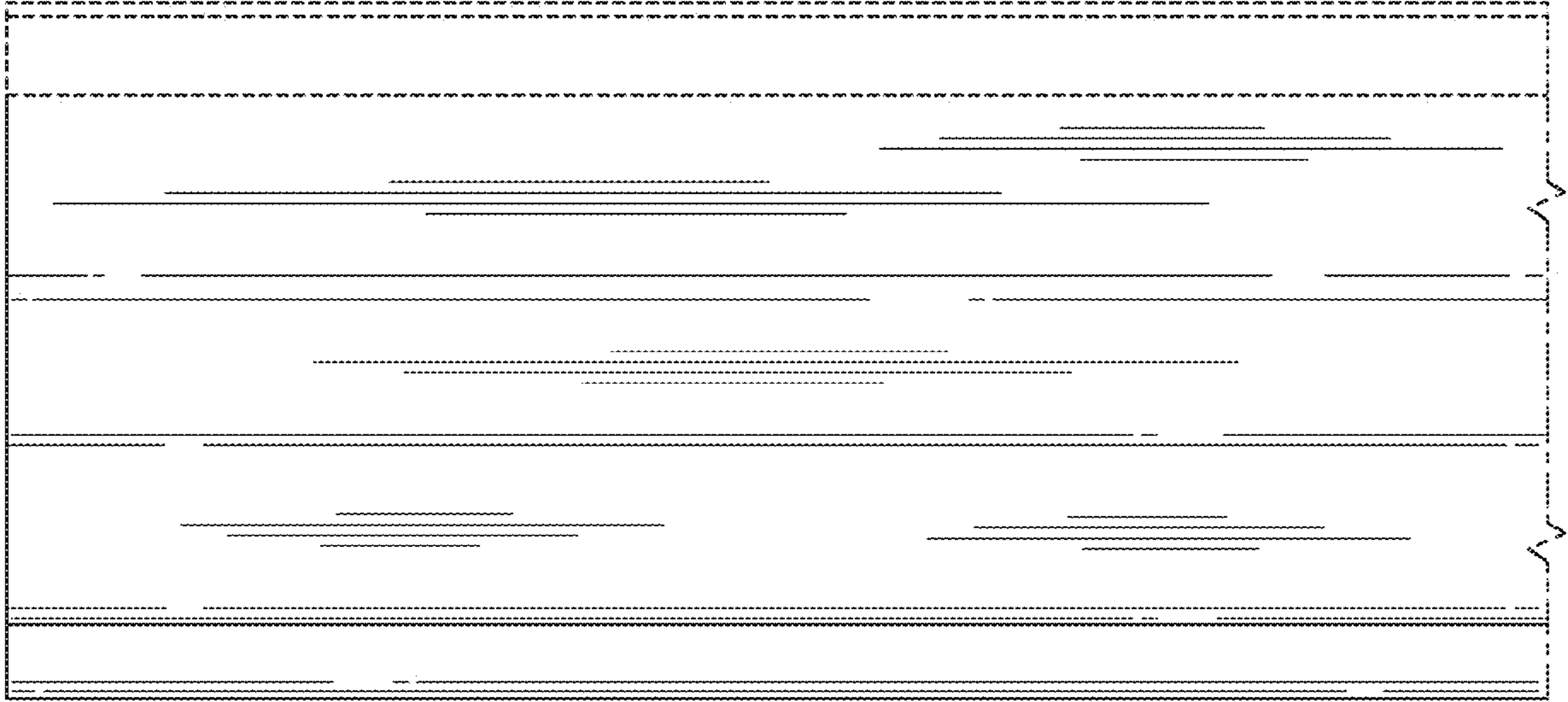


FIG. 11

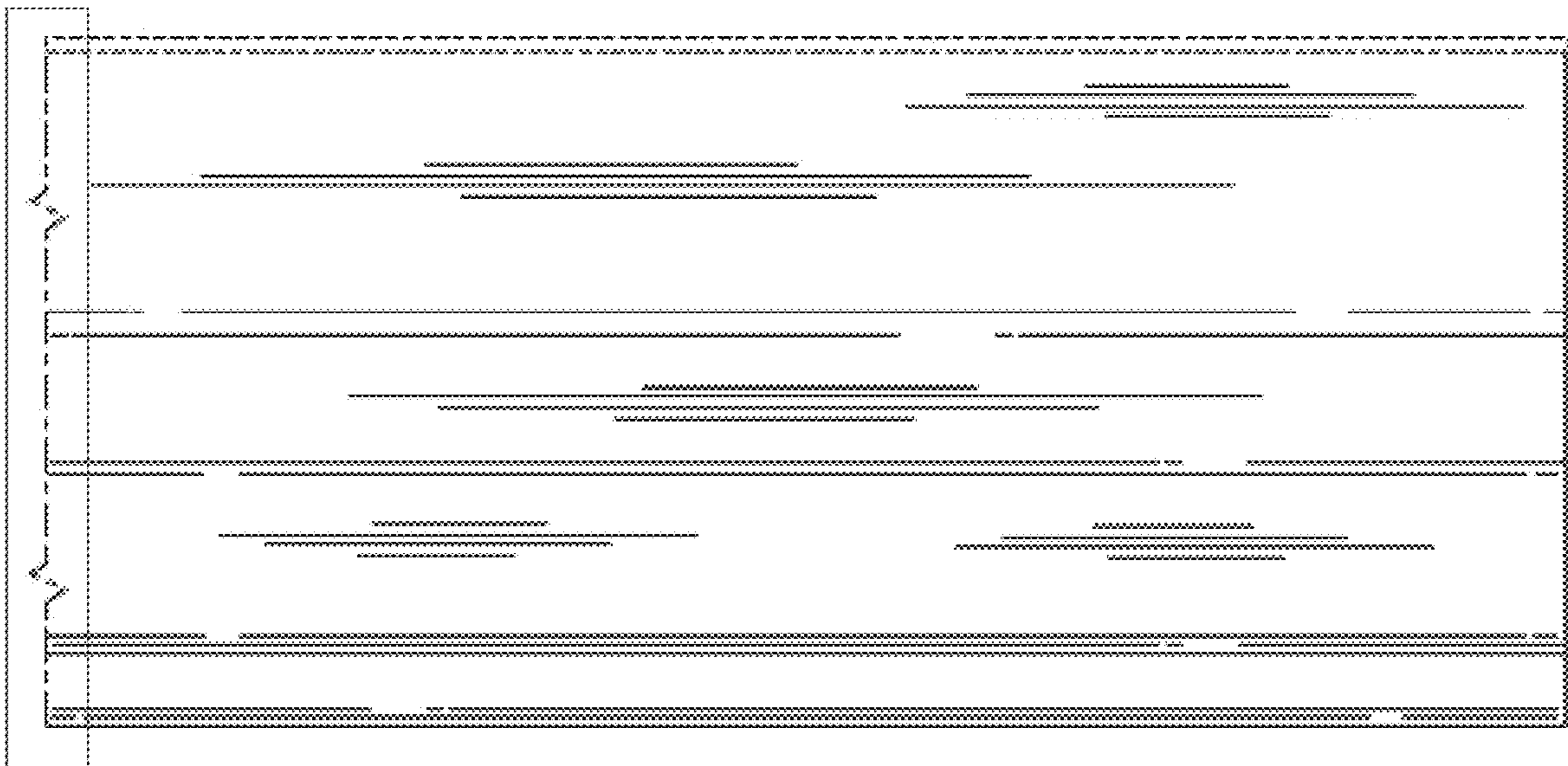


FIG. 12

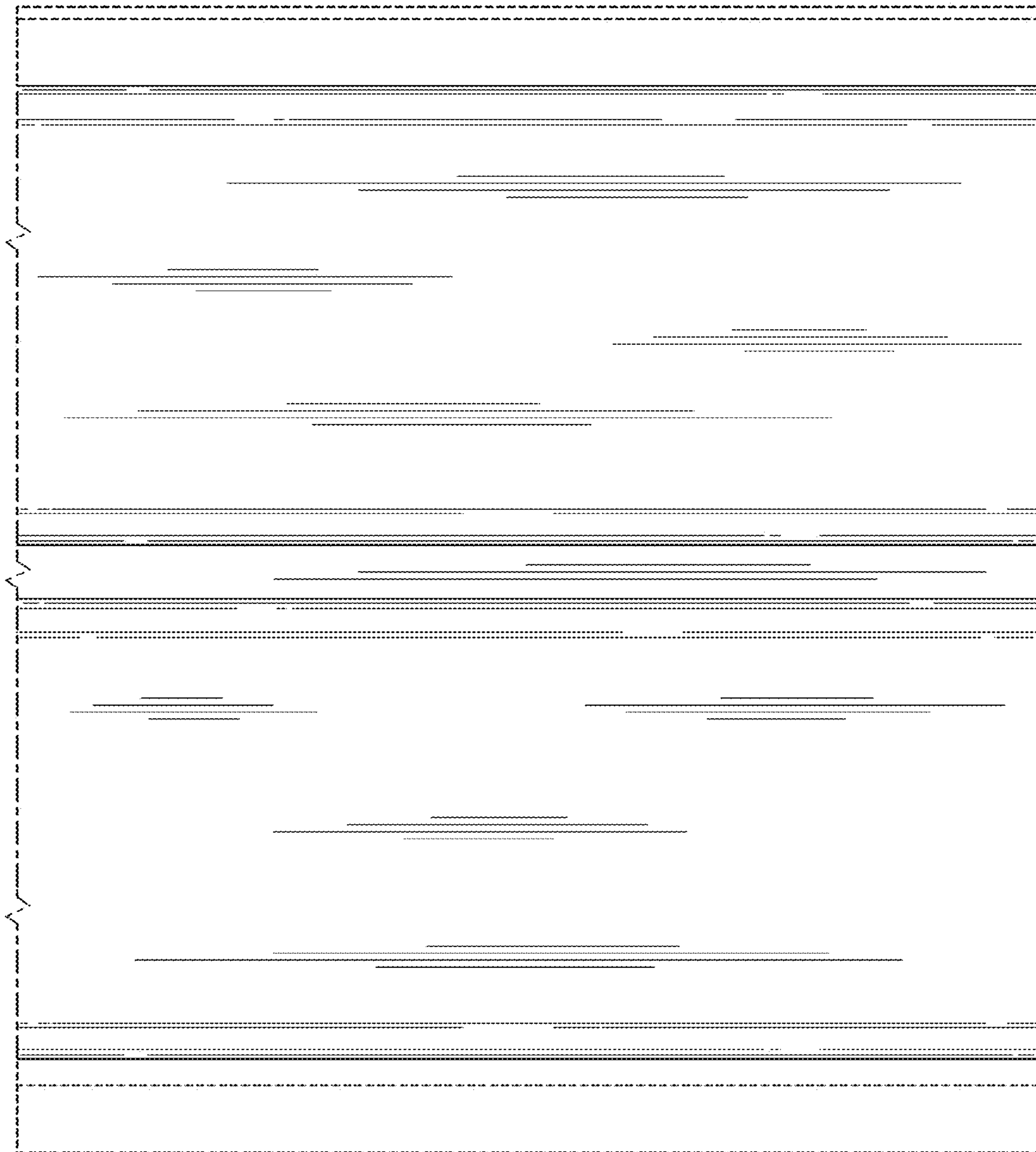


FIG. 13

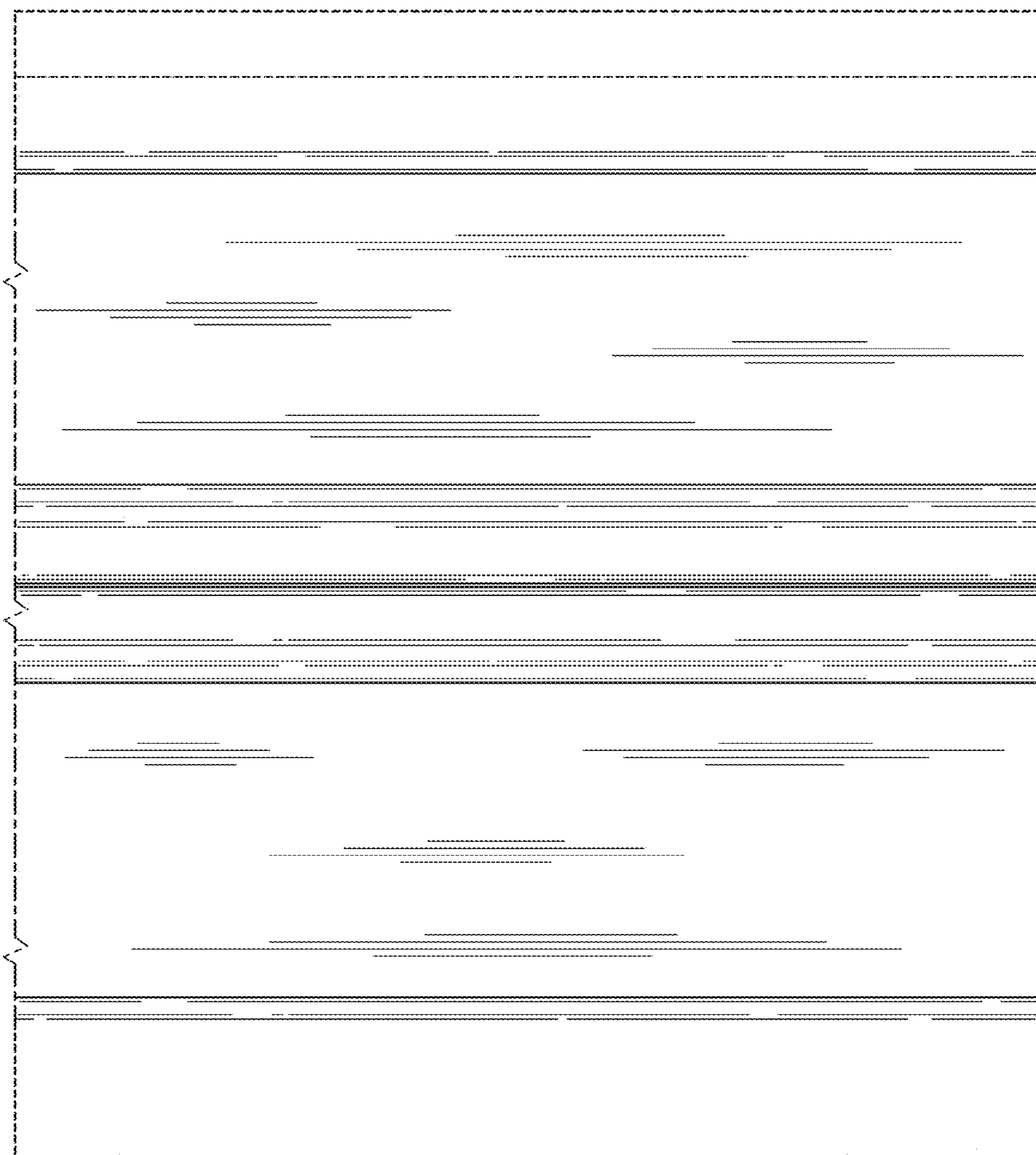


FIG. 14

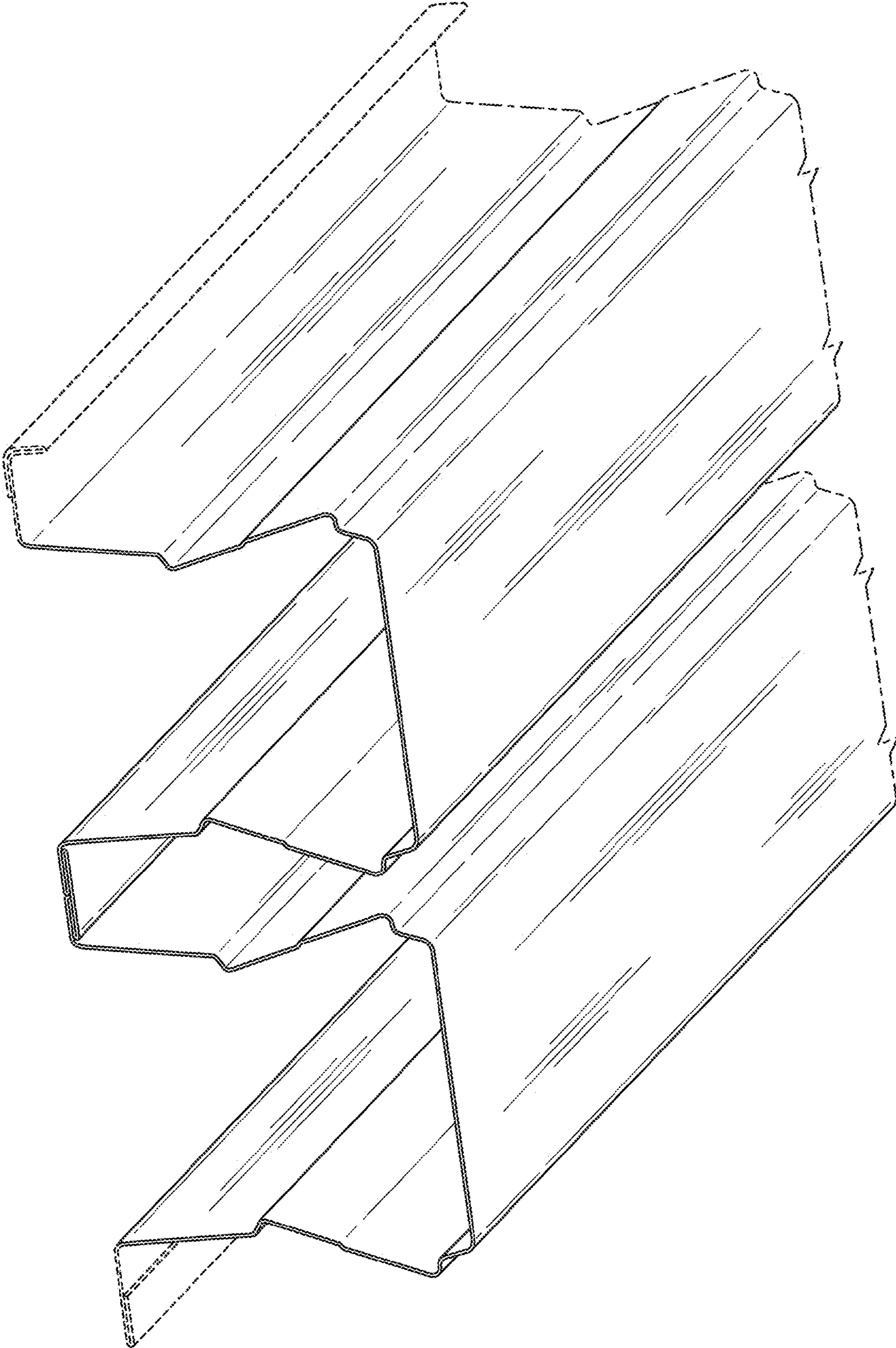


FIG. 15

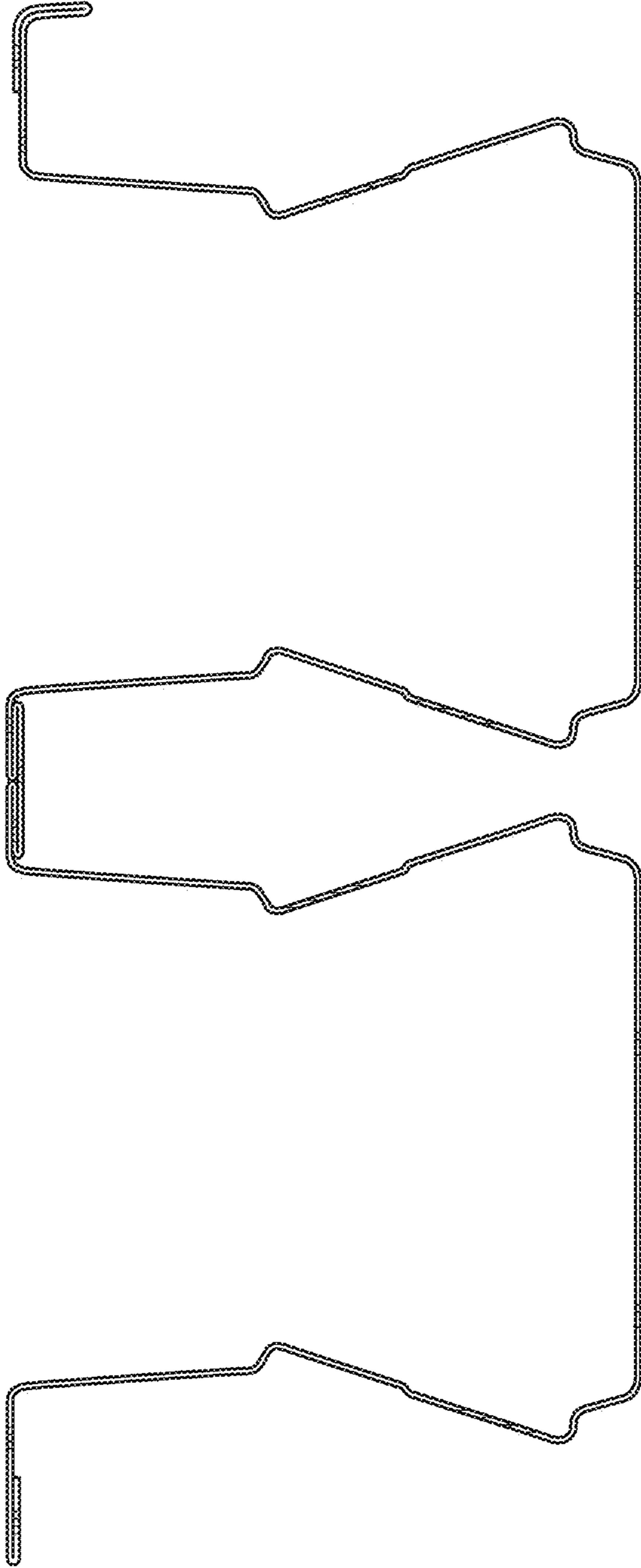


FIG. 16

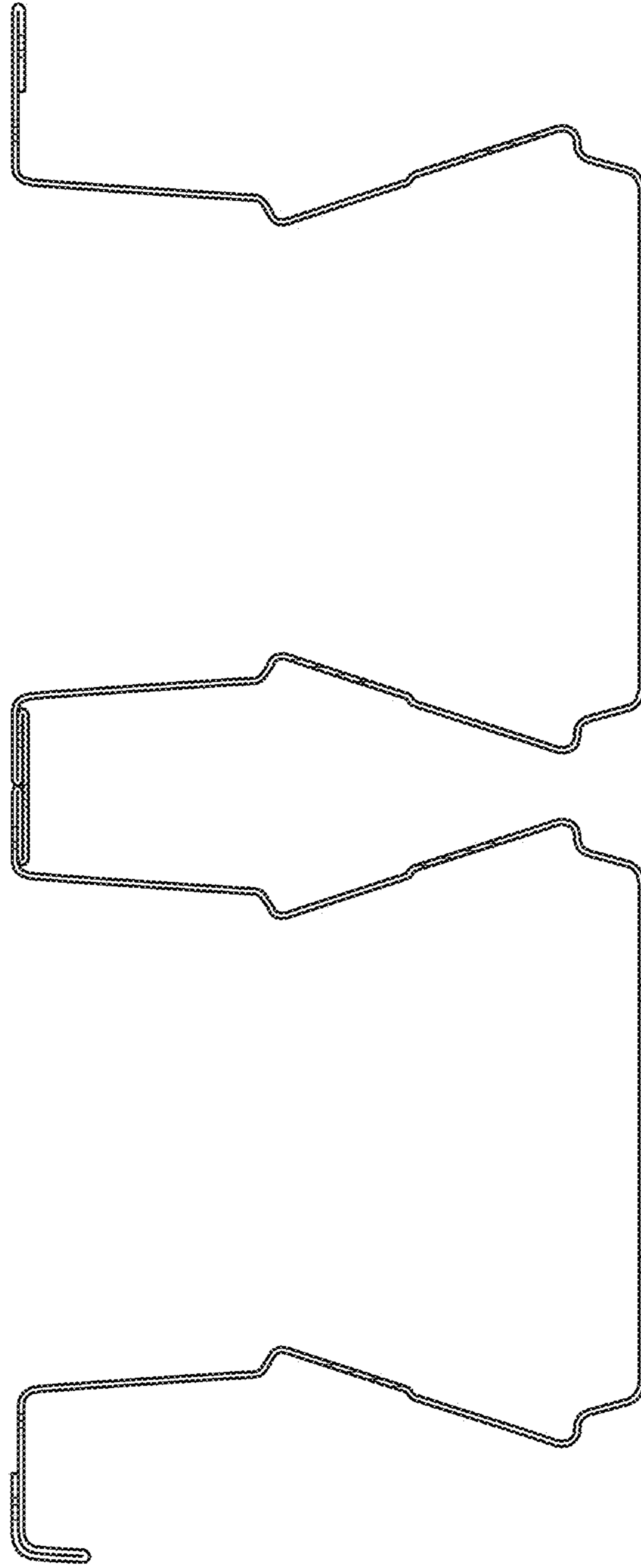


FIG. 17

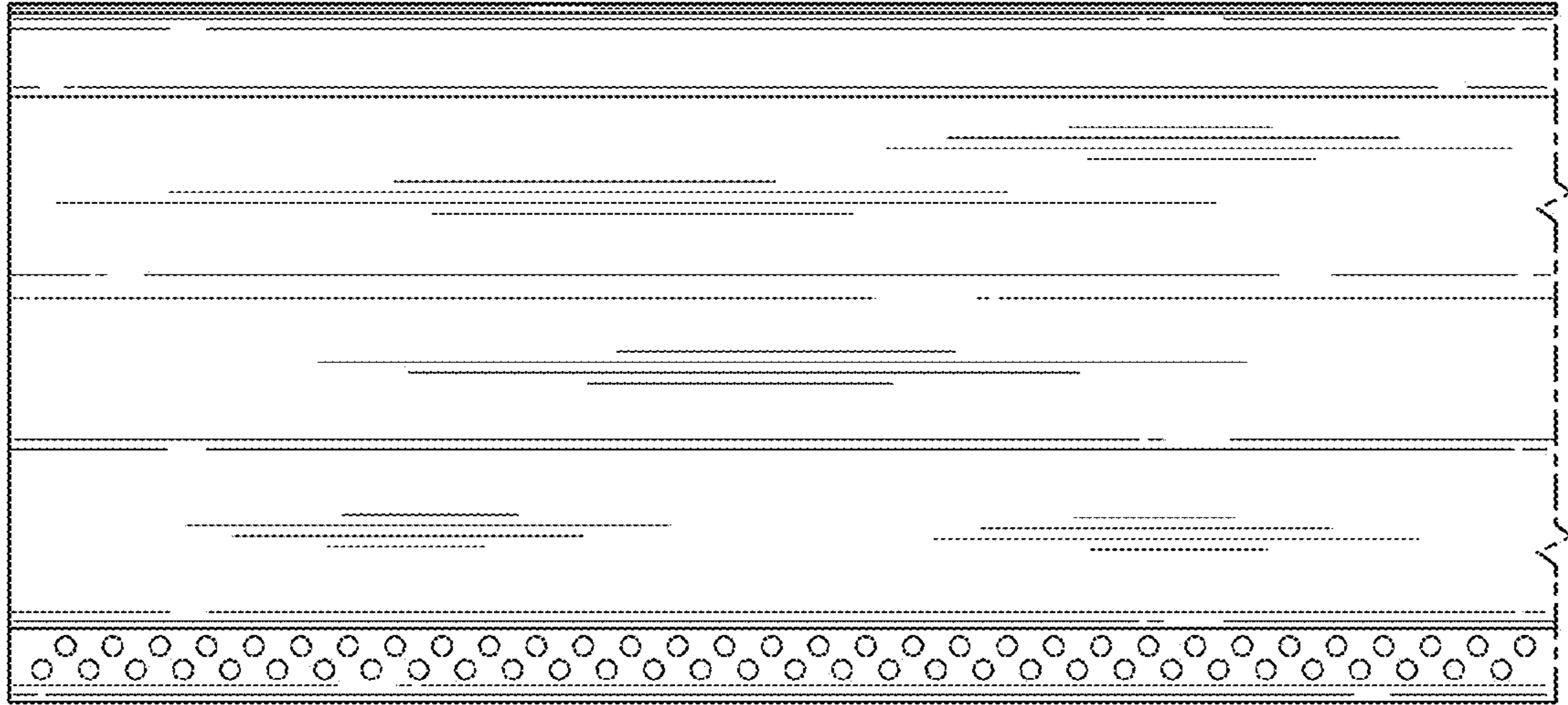


FIG. 18

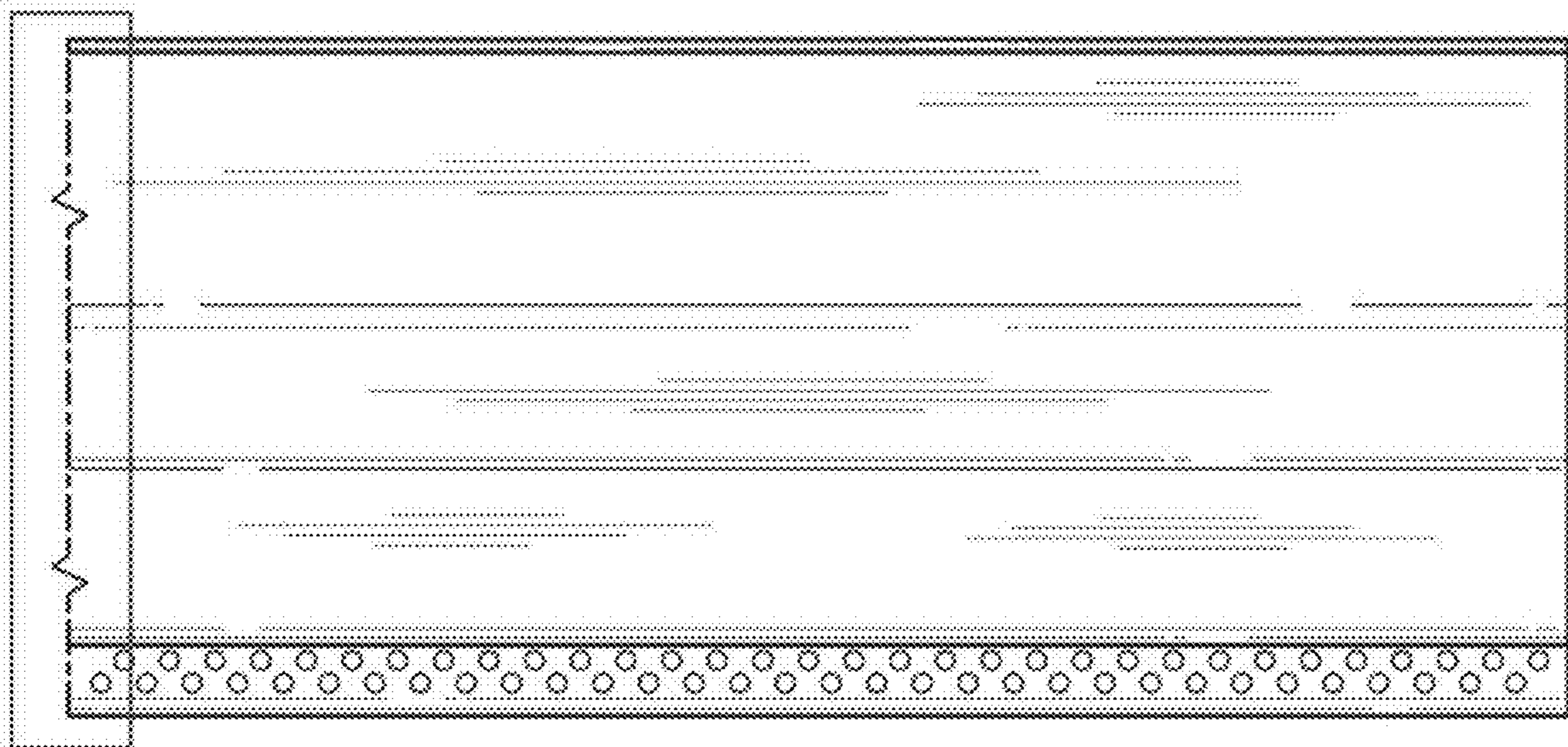


FIG. 19

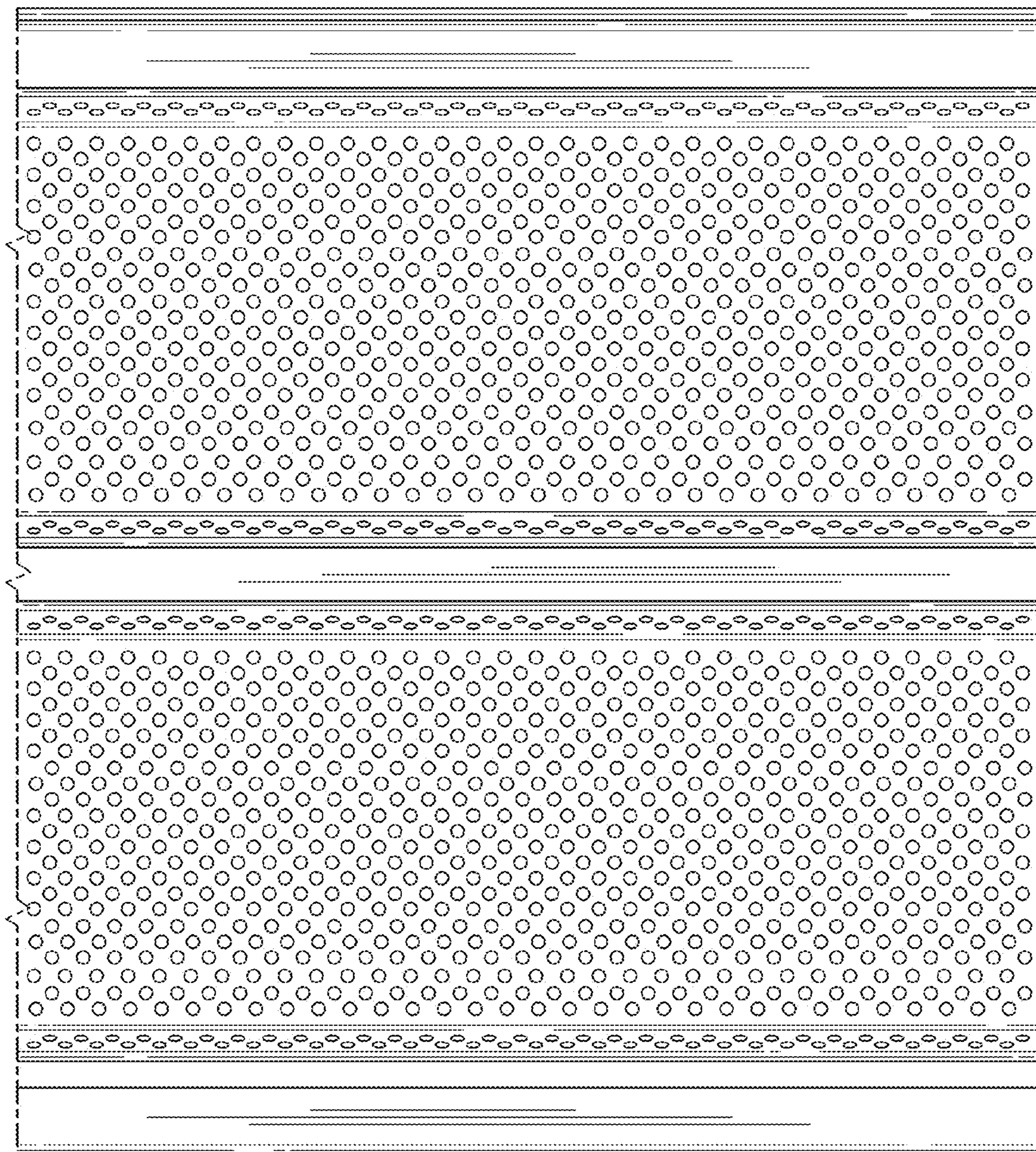


FIG. 20

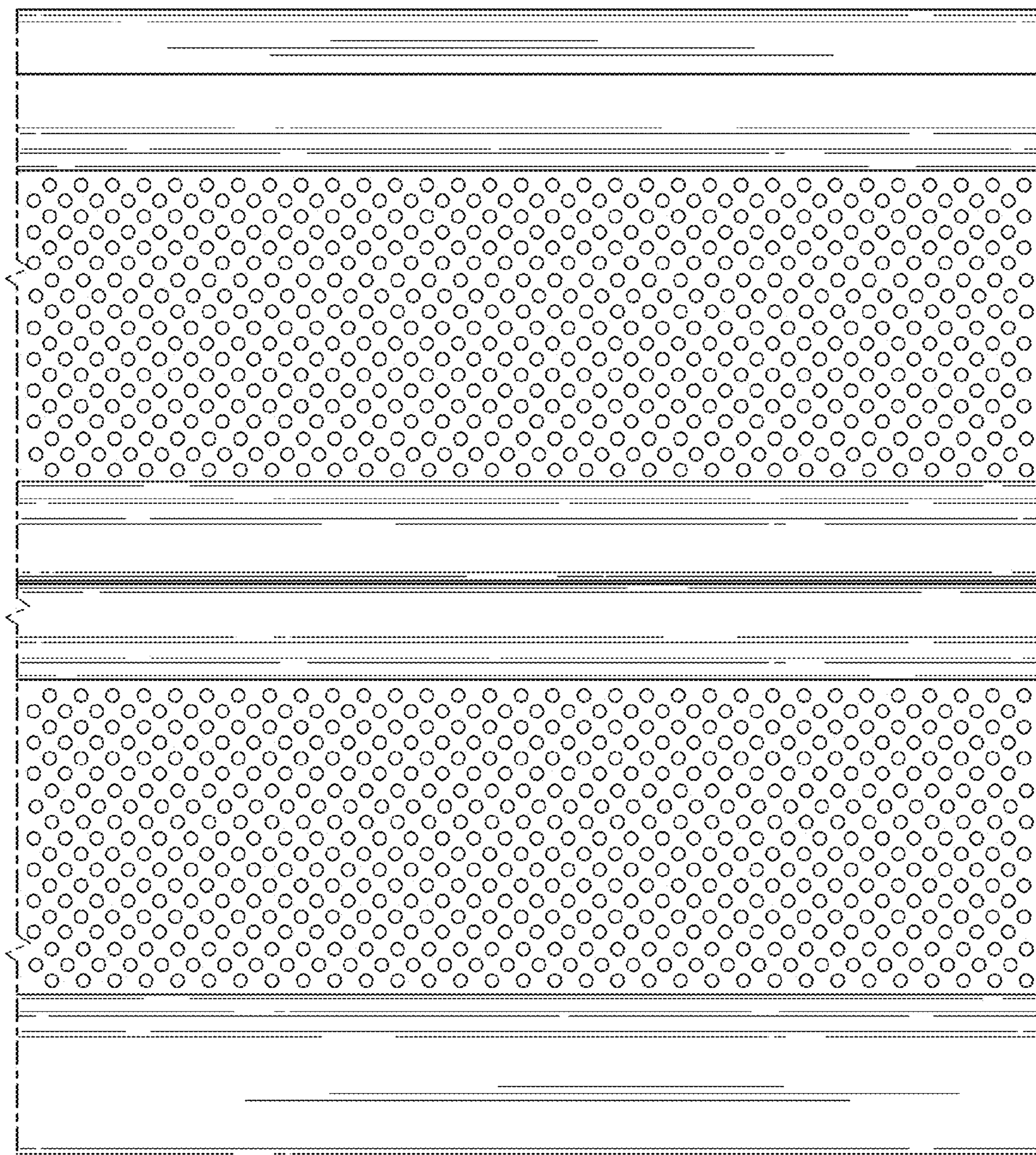


FIG. 21

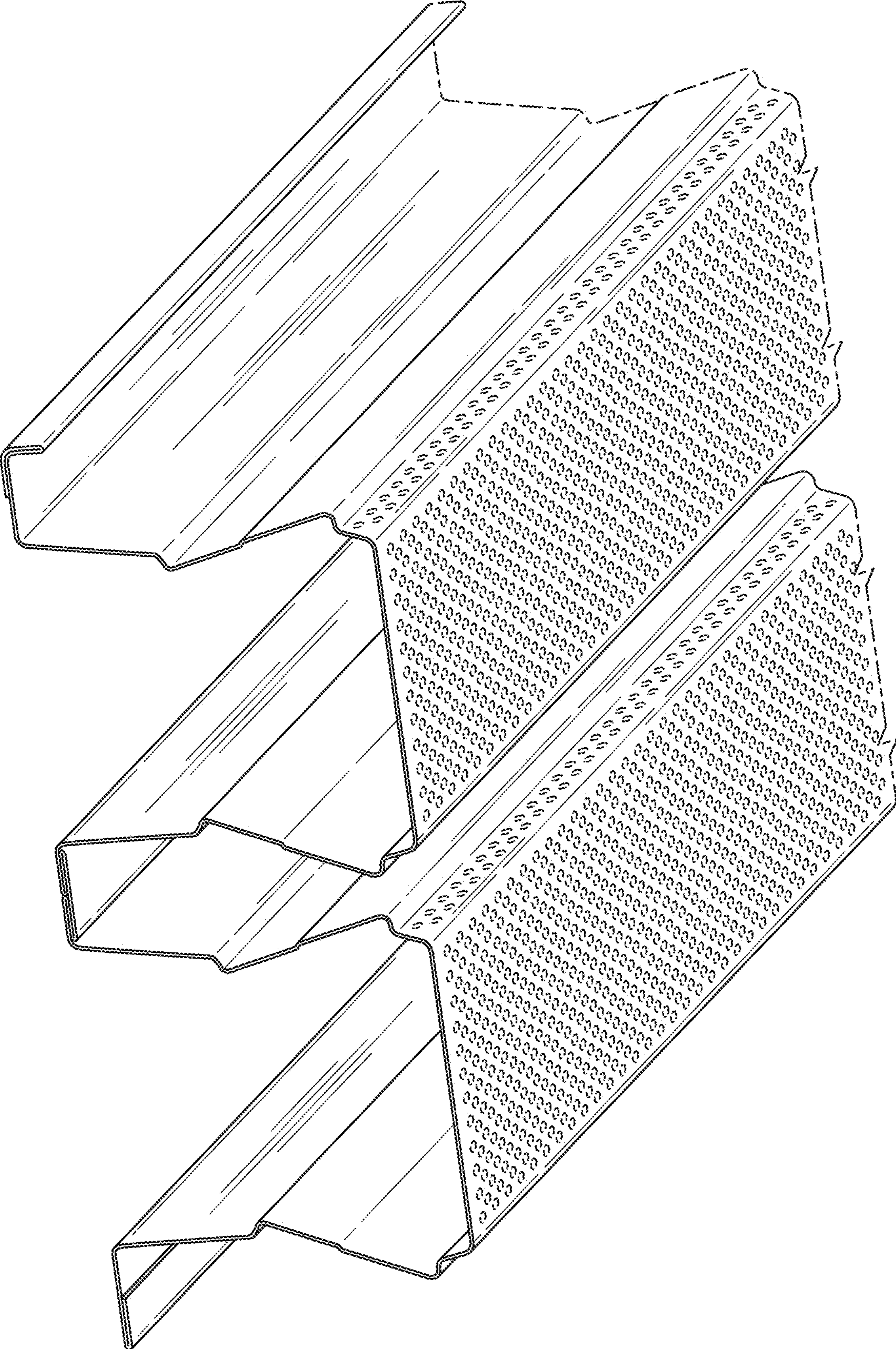


FIG. 22

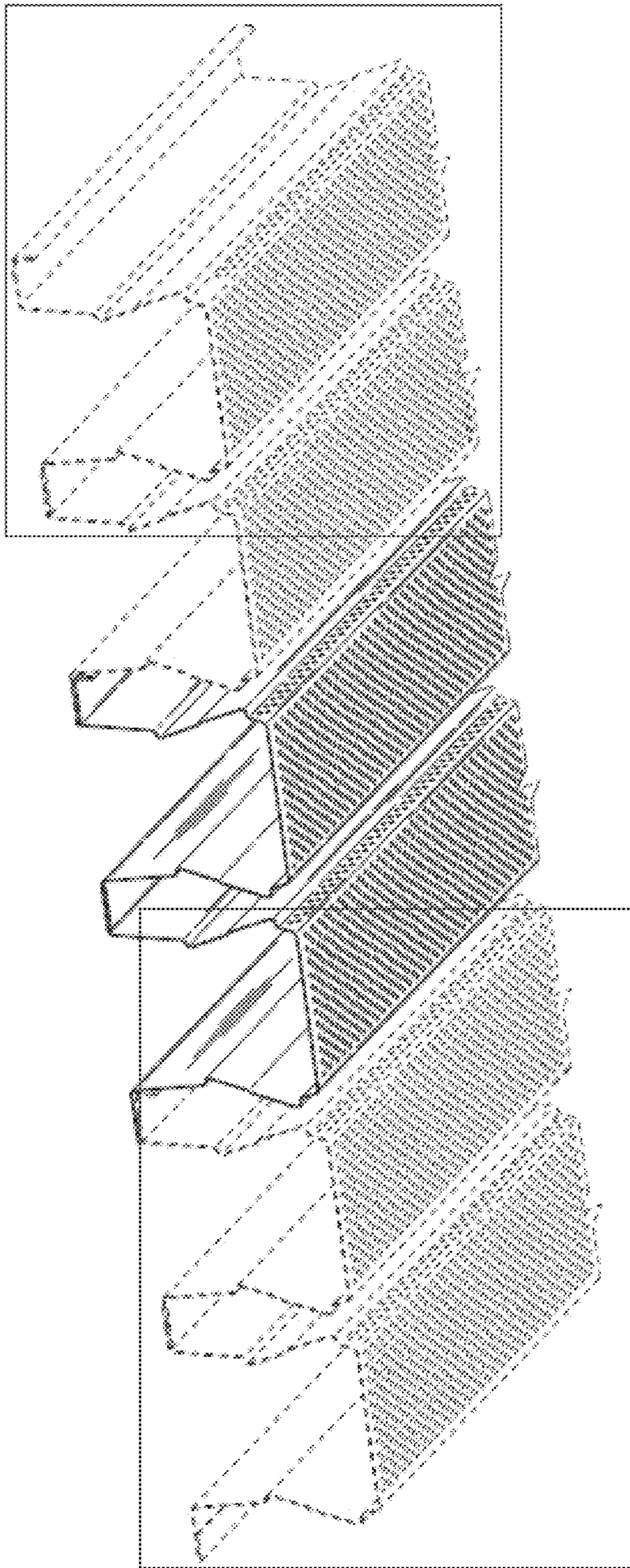


FIG. 23

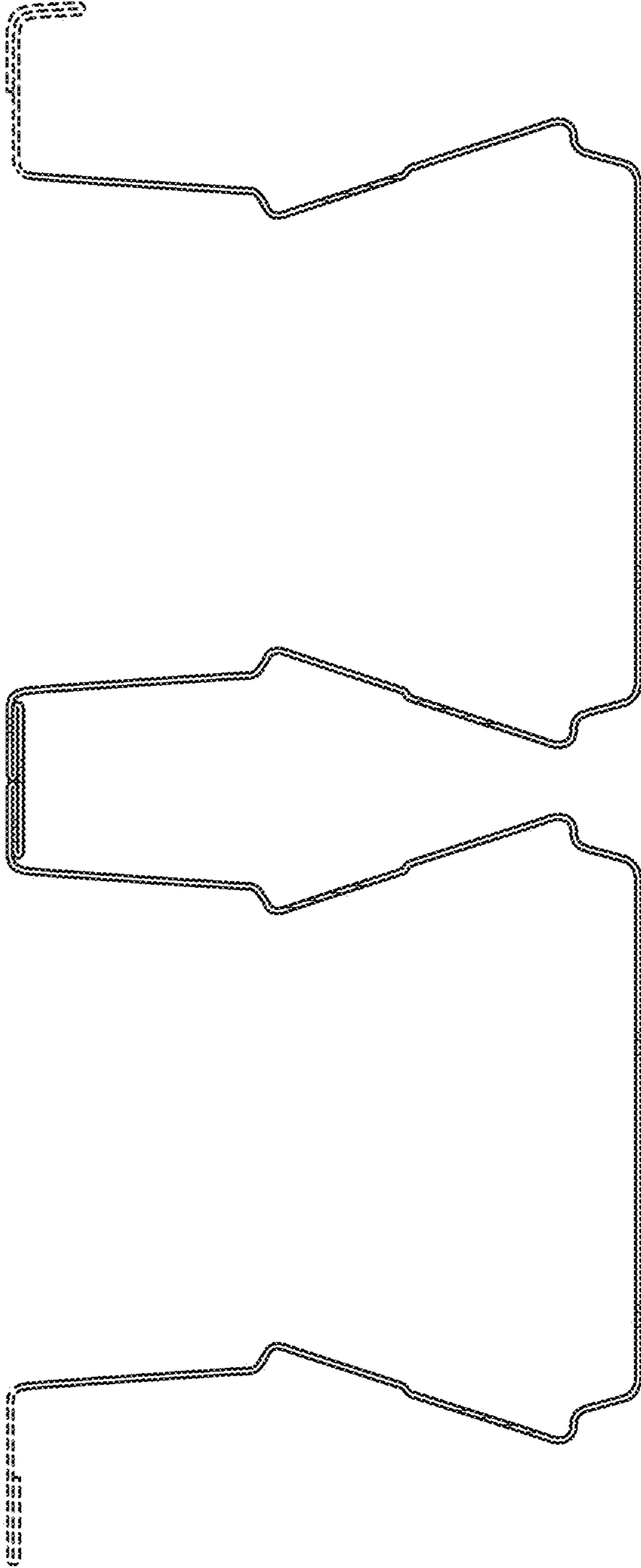


FIG. 24

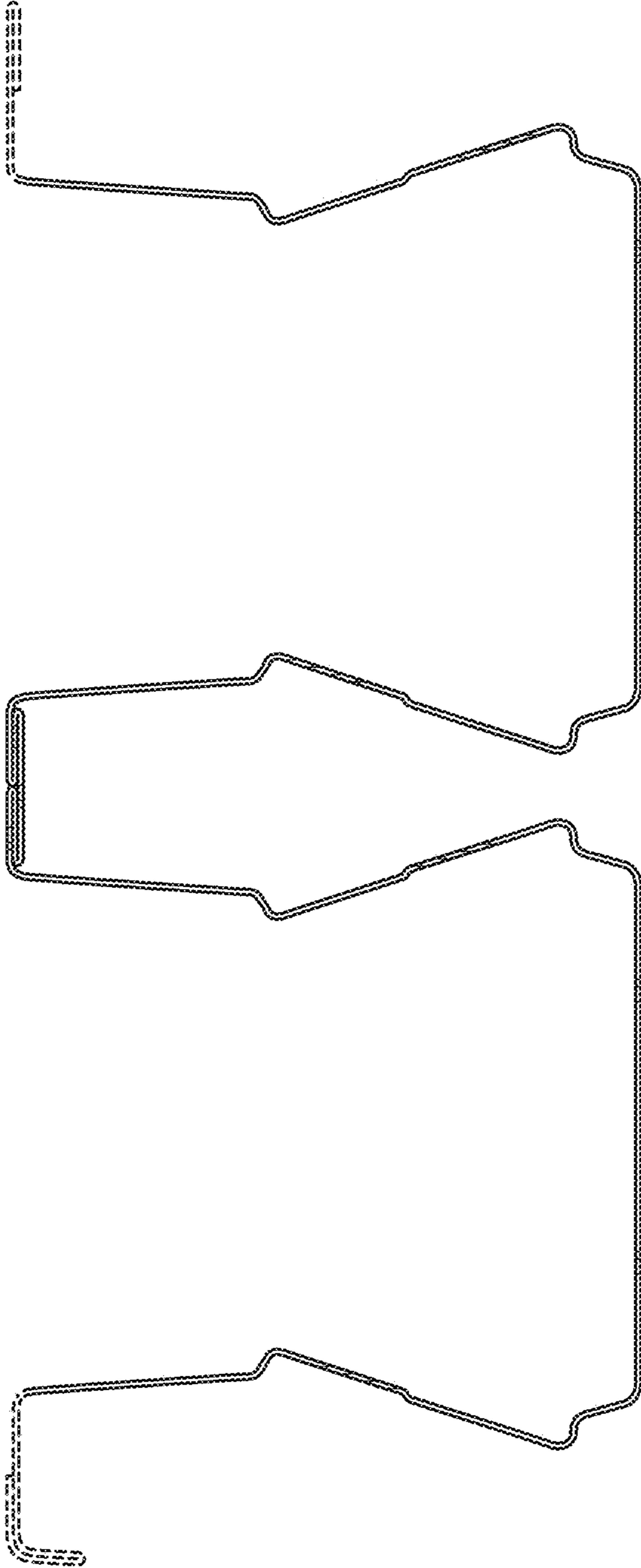


FIG. 25

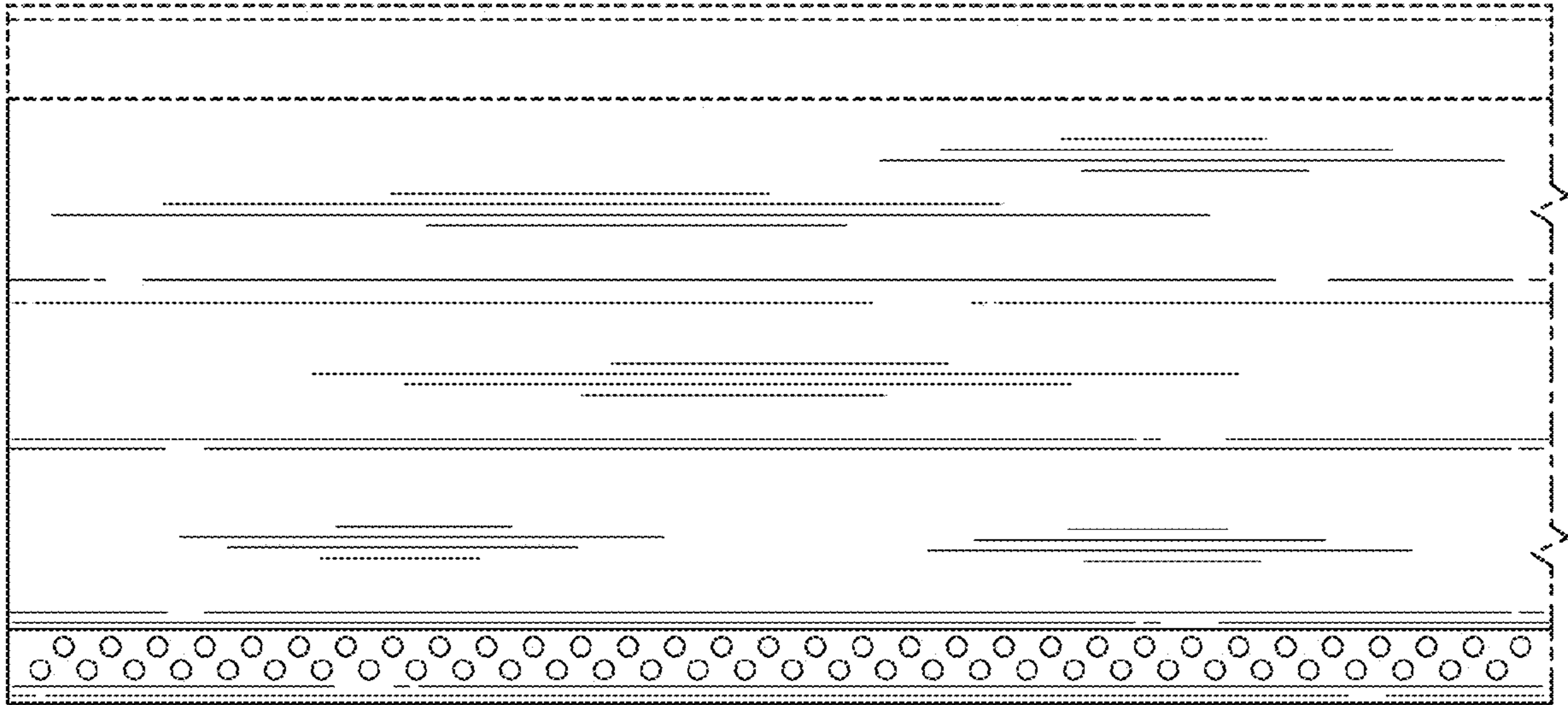


FIG. 26

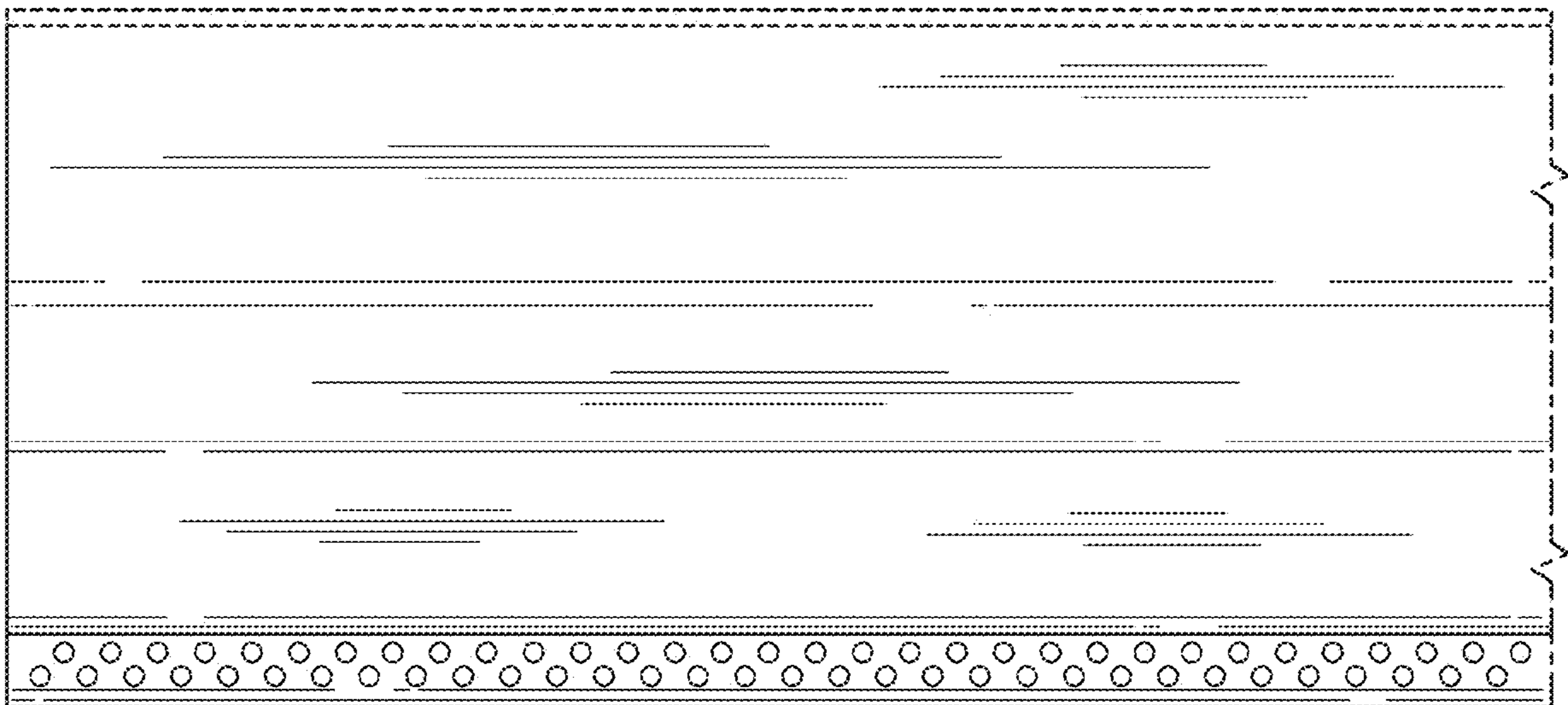


FIG. 27

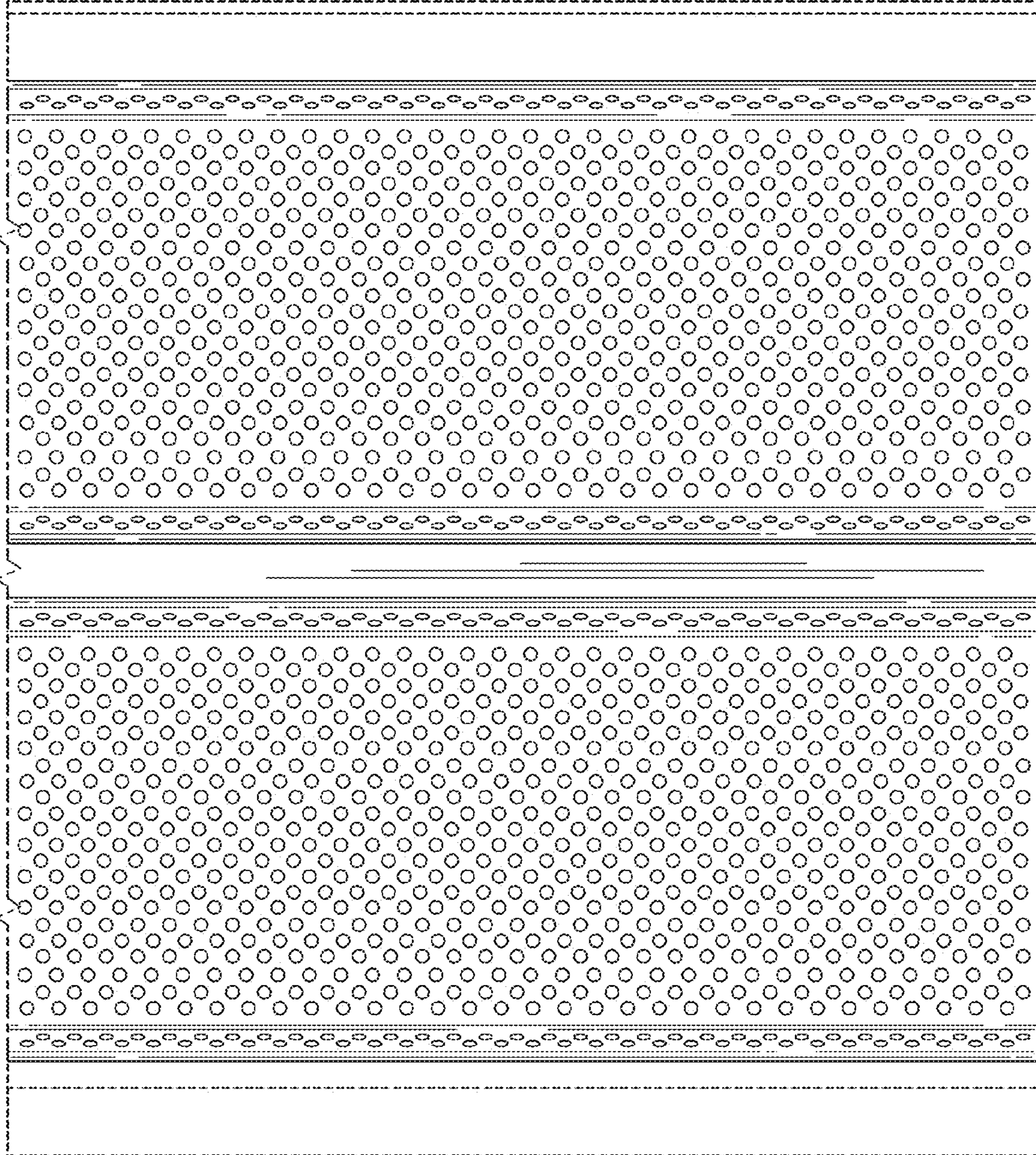


FIG. 28

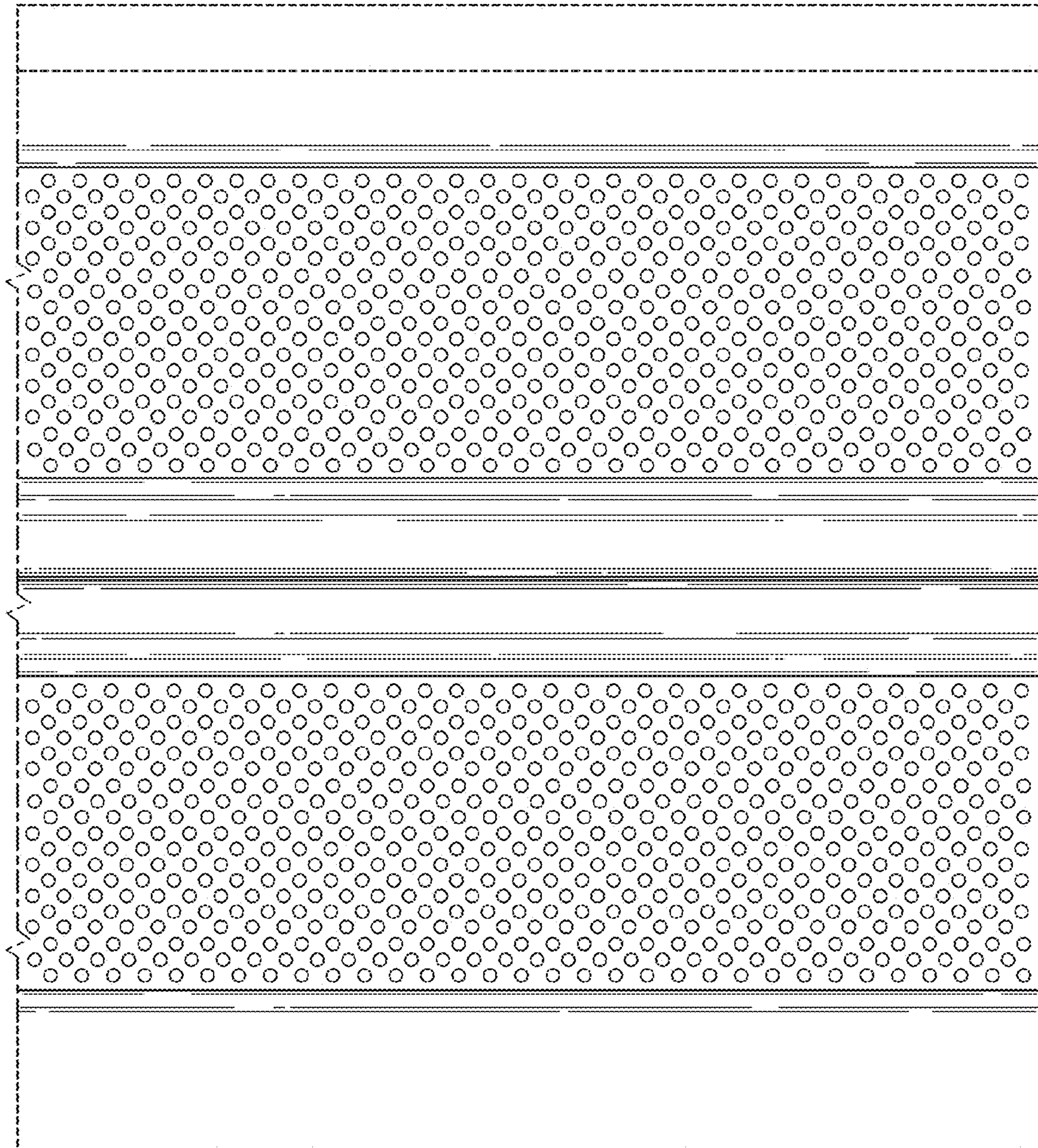


FIG. 29

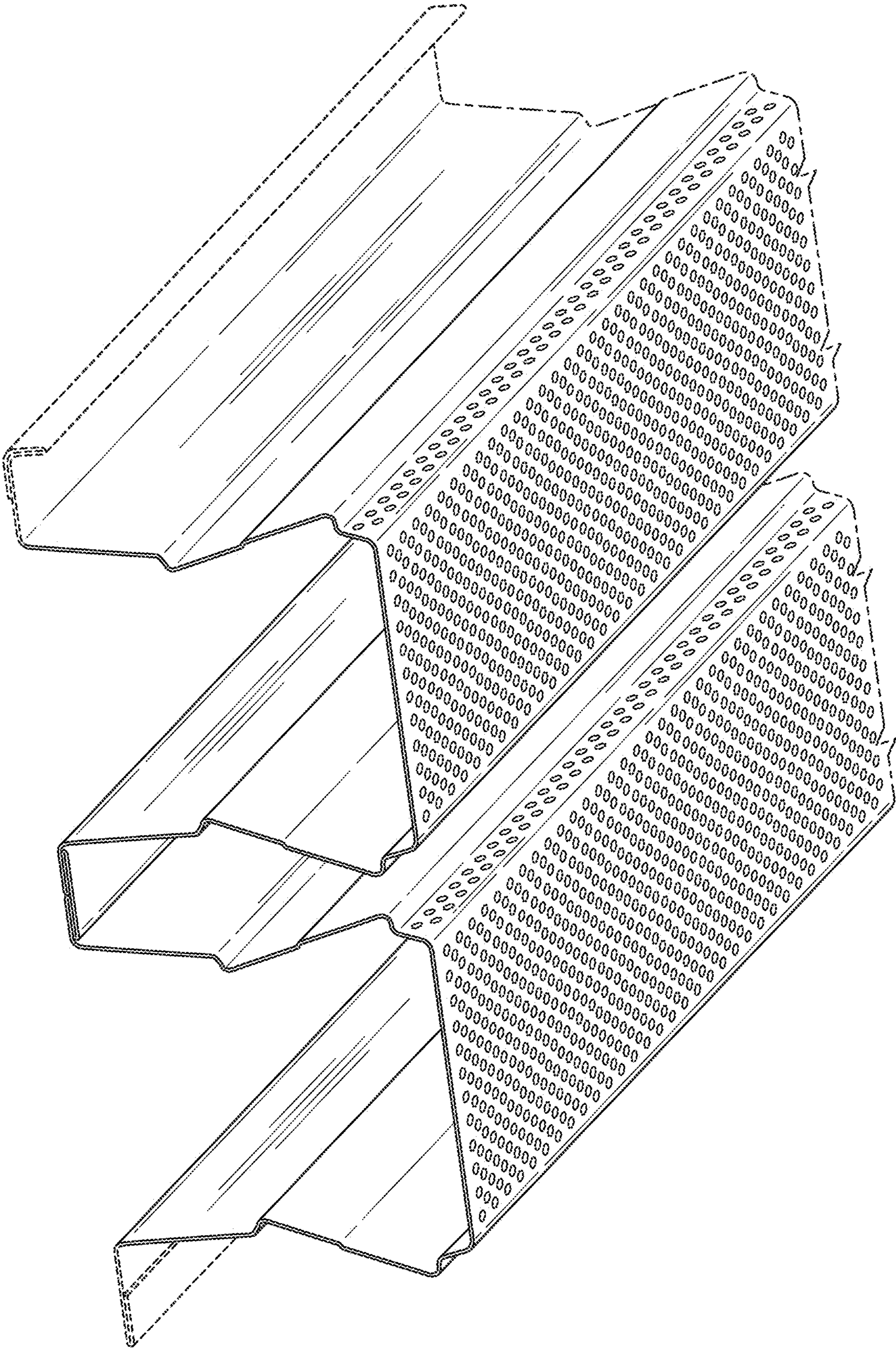


FIG. 30

UNITED STATES PATENT AND TRADEMARK OFFICE
CERTIFICATE OF CORRECTION

PATENT NO. : D949,441 S
APPLICATION NO. : 29/688605
DATED : April 19, 2022
INVENTOR(S) : Thomas G. Ryan

Page 1 of 1

It is certified that error appears in the above-identified patent and that said Letters Patent is hereby corrected as shown below:

On the Title Page

Column 2, Description, Line 7, delete "a" and insert -- another --

Column 2, Description, Line 27, delete "a" and insert -- another --

Signed and Sealed this
Twenty-second Day of November, 2022



Katherine Kelly Vidal
Director of the United States Patent and Trademark Office