



US00D949439S

(12) **United States Design Patent** (10) **Patent No.:** **US D949,439 S**  
**Thomas** (45) **Date of Patent:** **\*\* \*Apr. 19, 2022**

(54) **POST**  
(71) Applicant: **NZ Tube Mills Limited**, Lower Hutt (NZ)  
(72) Inventor: **Malcolm Thomas**, Upper Hutt (NZ)  
(73) Assignee: **NZ TUBE MILLS LIMITED**, Lower Hutt (NZ)  
(\* ) Notice: This patent is subject to a terminal disclaimer.  
(\*\*) Term: **15 Years**  
(21) Appl. No.: **29/722,105**  
(22) Filed: **Jan. 27, 2020**  
(30) **Foreign Application Priority Data**  
Aug. 5, 2019 (NZ) ..... 426306  
(51) **LOC (13) Cl.** ..... **25-01**  
(52) **U.S. Cl.**  
USPC ..... **D25/126**  
(58) **Field of Classification Search**  
USPC ..... D25/119, 125, 126, 127, 128, 129, 130, D25/131, 132, 133, 134, 135, 136, 61, D25/164; D8/45, 71, 394-396, 349, 354, D8/355; D15/135, 136, 138  
CPC ..... E04B 9/068; E04B 1/19; E04B 1/1903; E04B 1/24; E04B 1/2403; E04B 1/40; E04B 2001/2415; E04B 2001/2421; E04B 2001/2451; E04B 1/161; E04B 2002/8694; E04B 2/845; E04B 2001/2472; E04B 2001/249; E04B 1/486; E04B 1/26; E04C 3/07; E04C 2003/046; E04C 3/04; E04C 3/06; E04C 2/34; E04C 2003/0486; E04C 2003/0491; E04H 12/2269; E04H 12/24; E04H 15/34; E04H 17/1421; E04H 12/00; B60K 25/08; C21D 1/42; C21D 1/667; C21D 9/0062;

C21D 9/40; F16D 11/14; F16D 15/00; F16D 1/101; F16D 1/12; H05B 6/101; H05B 6/109; H05B 6/36; H05B 6/42; H05B 6/44; Y02P 10/25; H01Q 1/42  
See application file for complete search history.

(56) **References Cited**

U.S. PATENT DOCUMENTS

D546,973	S	*	7/2007	Halderman	.....	D25/119
D587,548	S	*	3/2009	O'Toole	.....	D8/14
D587,819	S	*	3/2009	Ryan	.....	D25/119
D621,249	S	*	8/2010	Heindl	.....	D8/382
D650,095	S	*	12/2011	Smolinski	.....	D25/133
D664,668	S	*	7/2012	Hewitt	.....	D25/38.1
D687,170	S	*	7/2013	Kovalchick	.....	D25/126
D723,186	S	*	2/2015	Taylor	.....	D25/119
D723,187	S	*	2/2015	Taylor	.....	D25/119
D725,296	S	*	3/2015	Taylor	.....	D25/126
D725,297	S	*	3/2015	Taylor	.....	D25/126
9,662,694	B2	*	5/2017	Olsson	.....	B21B 1/08
D789,513	S	*	6/2017	Nilssen	.....	D23/415
D817,918	S	*	5/2018	Sabatino	.....	D14/188

\* cited by examiner

*Primary Examiner* — Samantha Q Lawrence  
(74) *Attorney, Agent, or Firm* — Grogan, Tuccillo & Vanderleeden, LLP

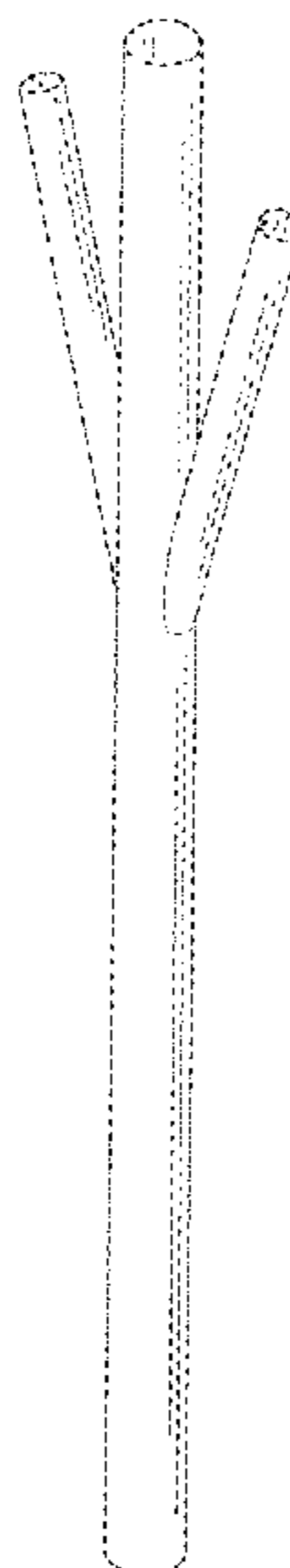
(57) **CLAIM**

The ornamental design for a a post, as shown and described.

**DESCRIPTION**

FIG. 1 is a perspective view of a post;  
FIG. 2 is a front view of the post thereof;  
FIG. 3 is a back view of the post thereof;  
FIG. 4 is a top view of the post thereof;  
FIG. 5 is a bottom view of the post thereof;  
FIG. 6 is a left side view of the post thereof; and,  
FIG. 7 is a right side view of the post thereof.

**1 Claim, 7 Drawing Sheets**



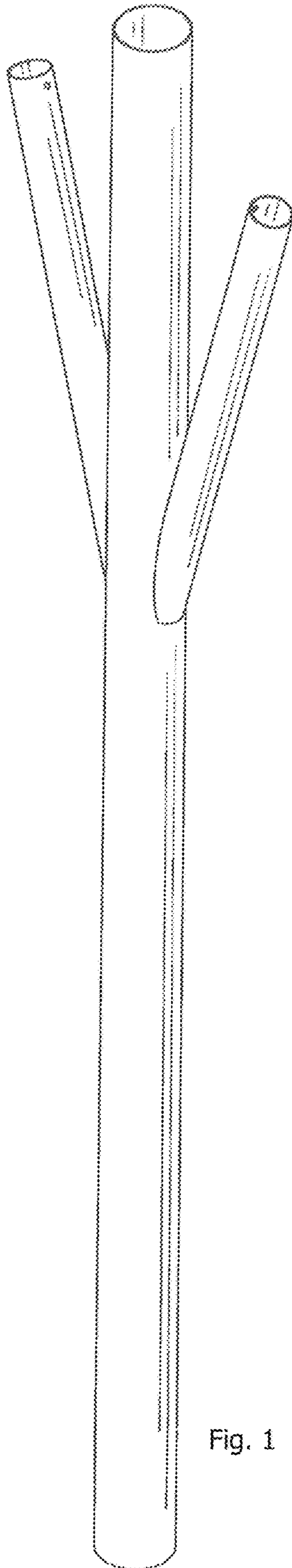


Fig. 1

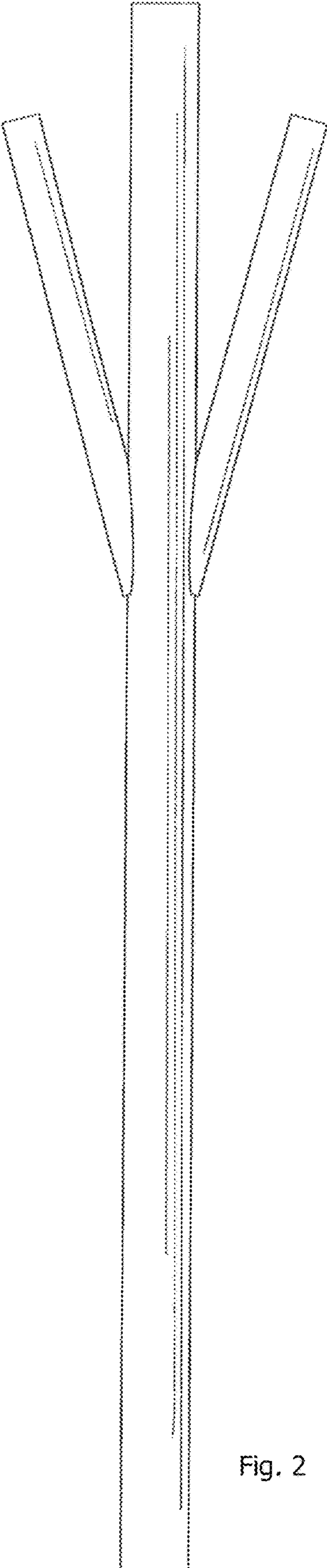


Fig. 2

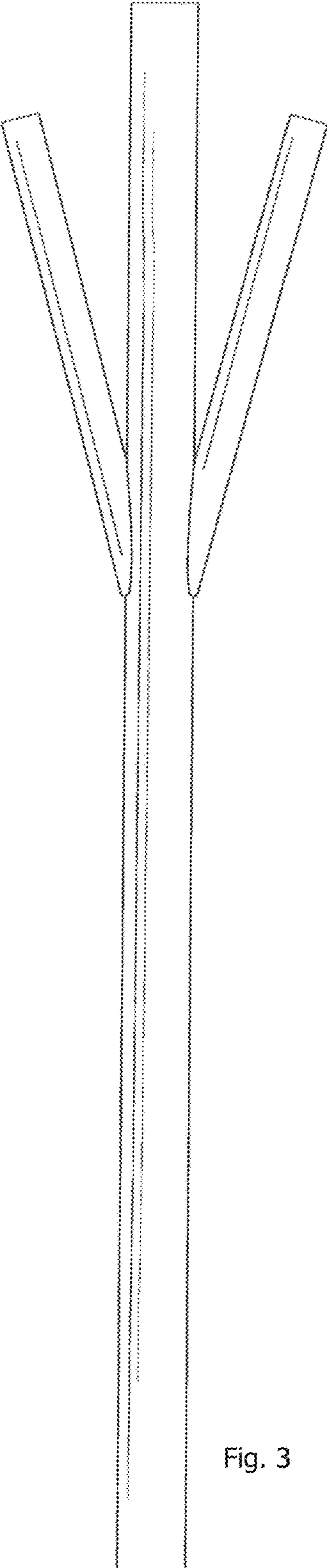


Fig. 3

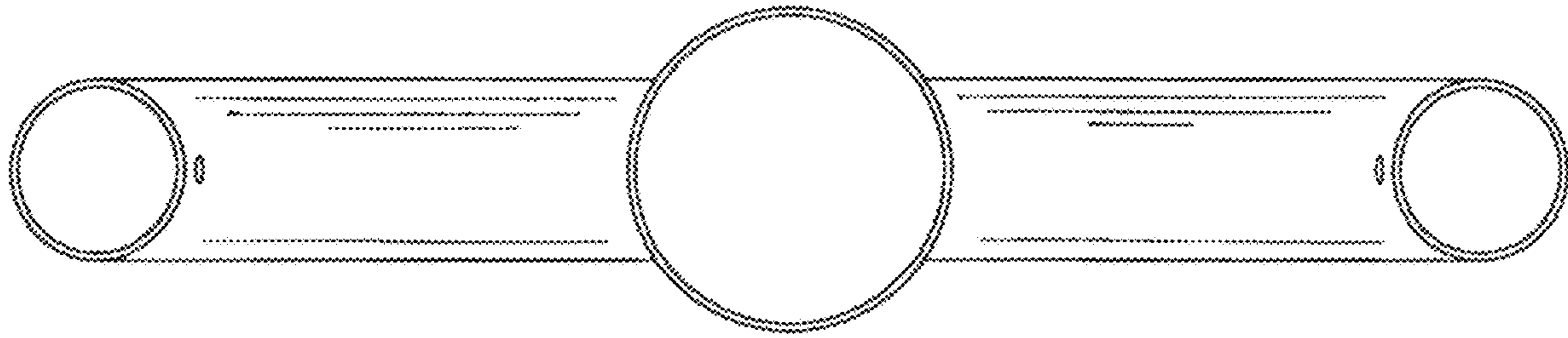


Fig. 4

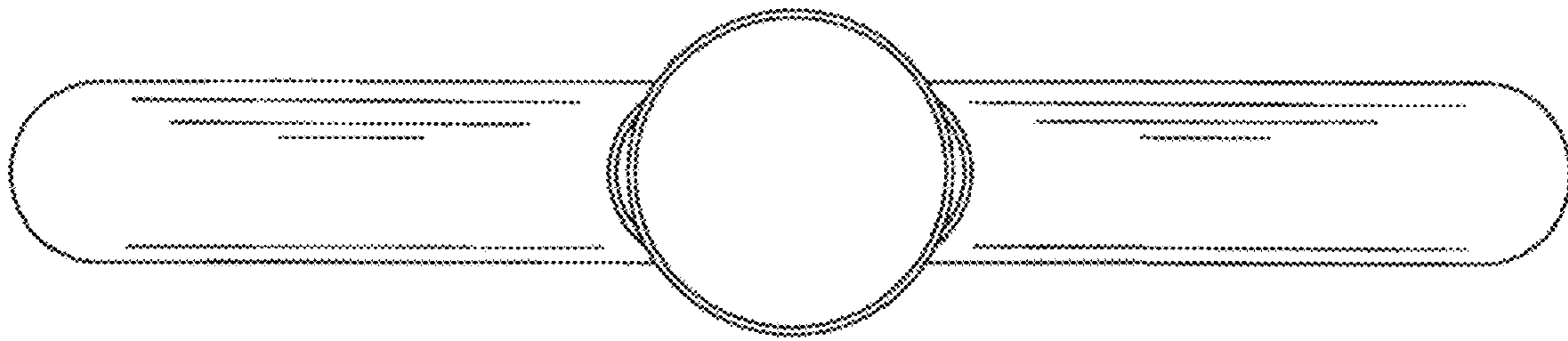


Fig. 5

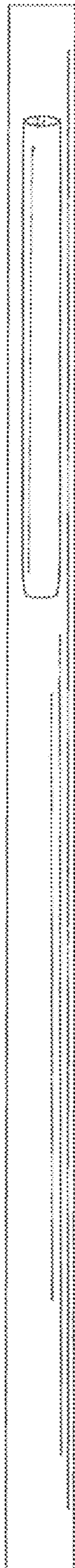


Fig. 6



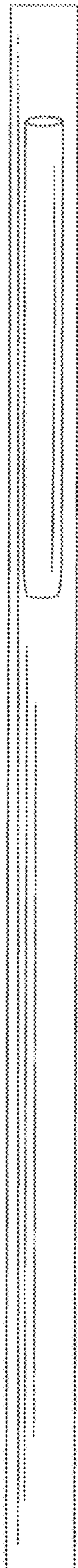


Fig. 7