



US00D949438S

(12) **United States Design Patent**
Yin et al.

(10) **Patent No.:** **US D949,438 S**
(45) **Date of Patent:** **** Apr. 19, 2022**

- (54) **LADDER**
- (71) Applicant: **Aukey Technology Co., Ltd**, Shenzhen (CN)
- (72) Inventors: **Xiaowei Yin**, Shenzhen (CN); **Bingkun Duan**, Shenzhen (CN); **Huiyue Ze**, Shenzhen (CN)
- (73) Assignee: **Aukey Technology Co., Ltd**, Shenzhen (CN)
- (**) Term: **15 Years**
- (21) Appl. No.: **29/721,249**
- (22) Filed: **Jan. 19, 2020**
- (51) **LOC (13) Cl.** **25-04**
- (52) **U.S. Cl.**
USPC **D25/64**
- (58) **Field of Classification Search**
USPC D25/62-65, 68, 69; 182/156, 162, 97, 182/95, 194, 21, 86, 91
CPC . E06C 1/32; E06C 1/383; E06C 1/393; E06C 1/22
See application file for complete search history.

- 6,220,389 B1 * 4/2001 Krause E06C 1/22 182/163
- 7,364,017 B2 * 4/2008 Moss E06C 1/22 182/163
- 10,801,261 B2 * 10/2020 Peterson E06C 1/32
- D908,924 S * 1/2021 Melton D25/64
- D914,912 S * 3/2021 Barker D25/65
- 2017/0356244 A1 * 12/2017 Peterson E06C 1/10

* cited by examiner

Primary Examiner — Gino Colan

(74) *Attorney, Agent, or Firm* — Westbridge IP LLC

(57) **CLAIM**

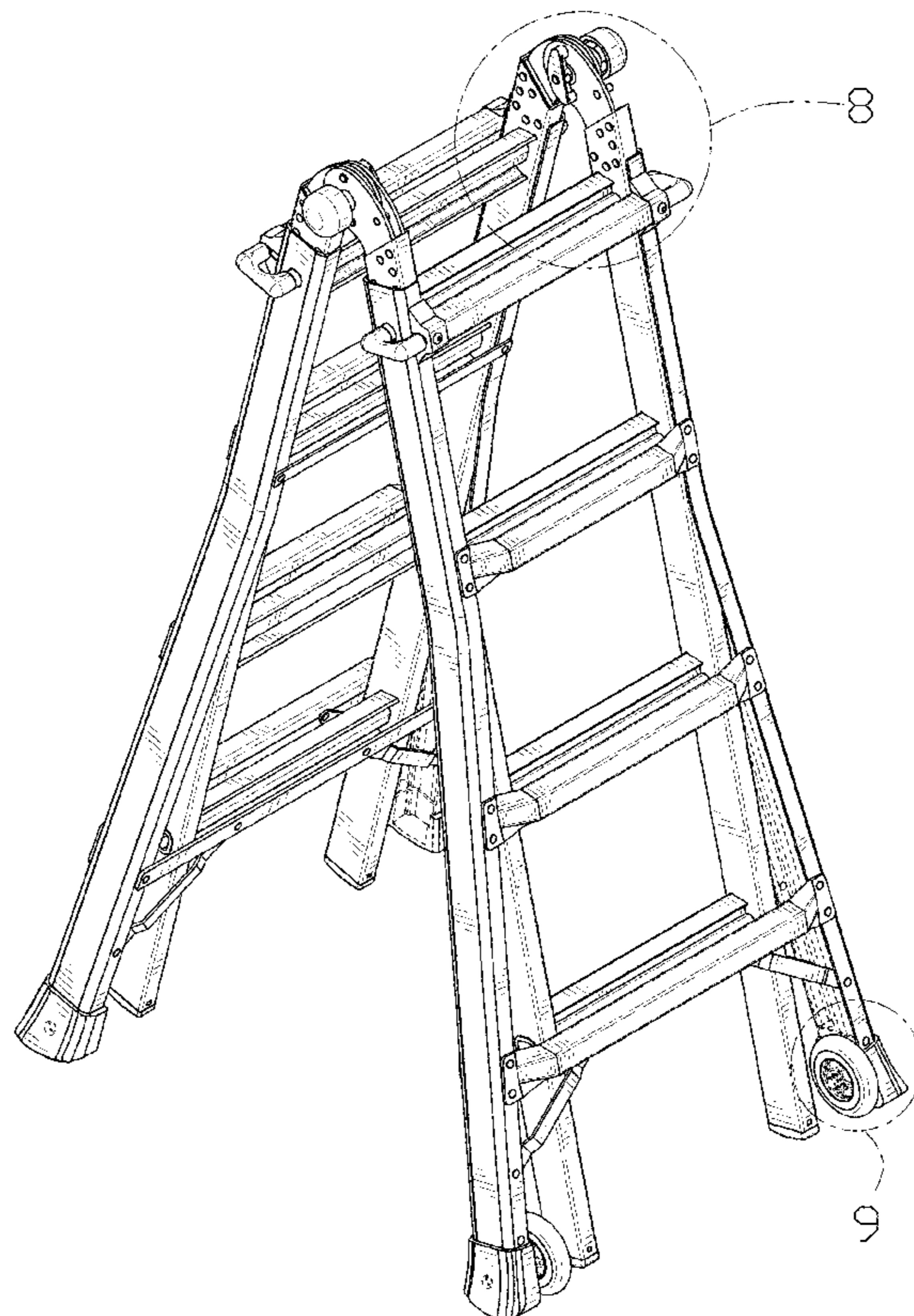
The ornamental design for a ladder, as shown and described.

DESCRIPTION

FIG. 1 is a perspective view of a ladder showing our new design;
 FIG. 2 is a front elevational view thereof;
 FIG. 3 is a rear elevational view thereof;
 FIG. 4 is a left side view thereof;
 FIG. 5 is a right side view thereof;
 FIG. 6 is a top plan view thereof;
 FIG. 7 is a bottom plan view thereof;
 FIG. 8 is an enlarged view of portion 8 of FIG. 1; and,
 FIG. 9 is an enlarged view of portion 9 of FIG. 1.
 The broken lines in the drawings illustrate the portions of the ladder which form no part of the claimed design.

1 Claim, 9 Drawing Sheets

- (56) **References Cited**
U.S. PATENT DOCUMENTS
- 4,182,431 A * 1/1980 Wing E06C 1/32 182/228.1
- 4,376,470 A * 3/1983 Ashton E06C 7/08 182/228.2



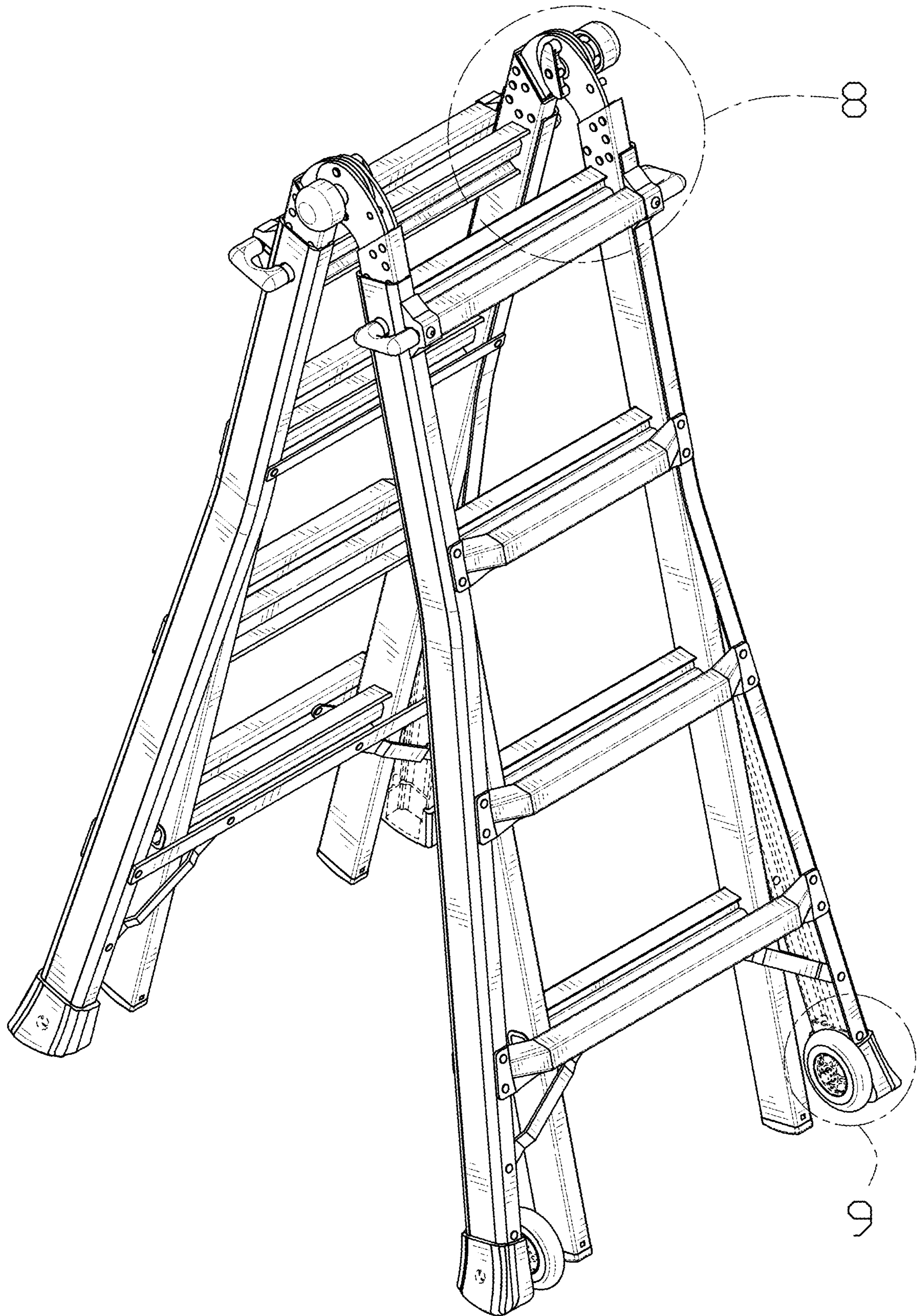


FIG. 1

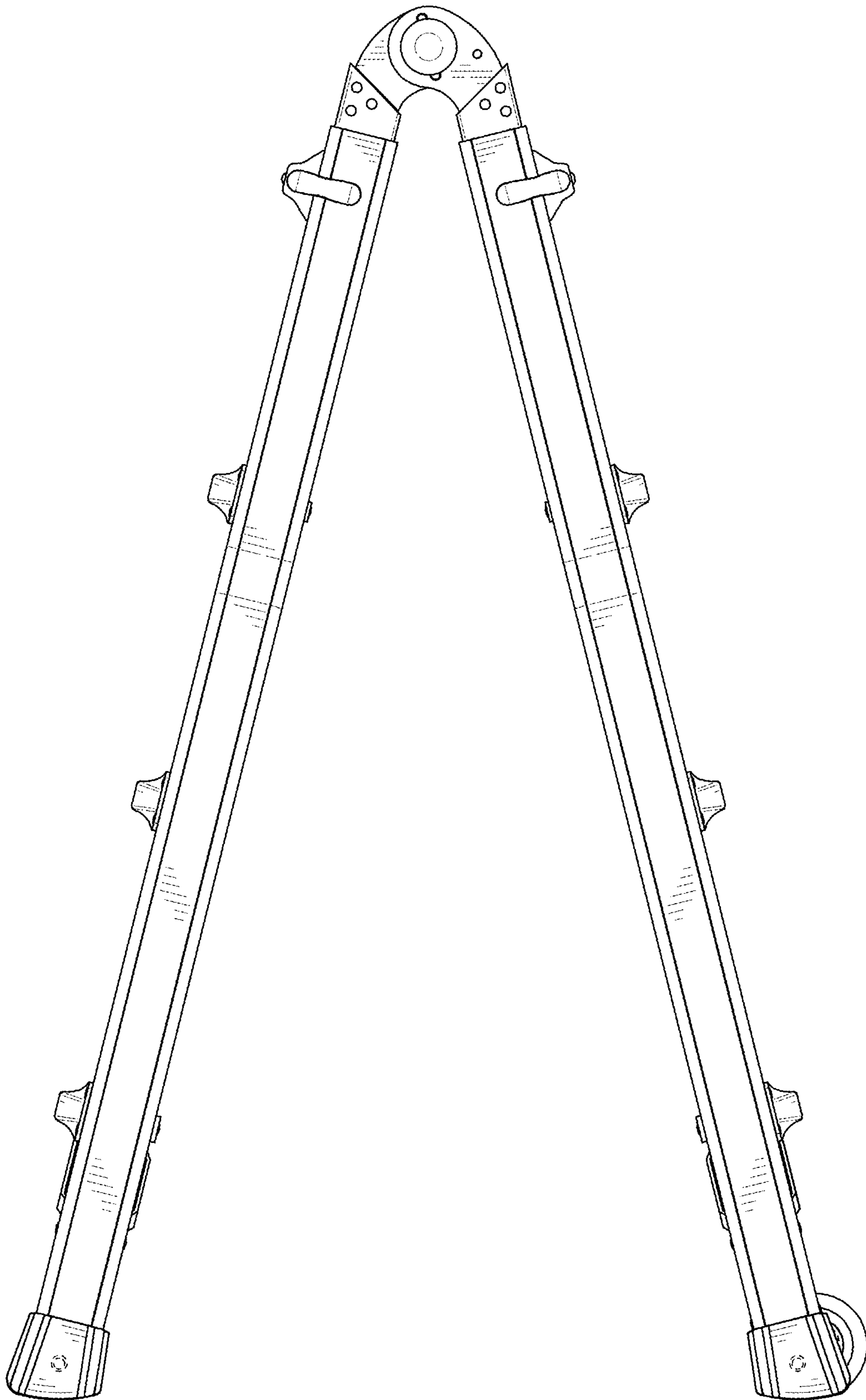


FIG. 2

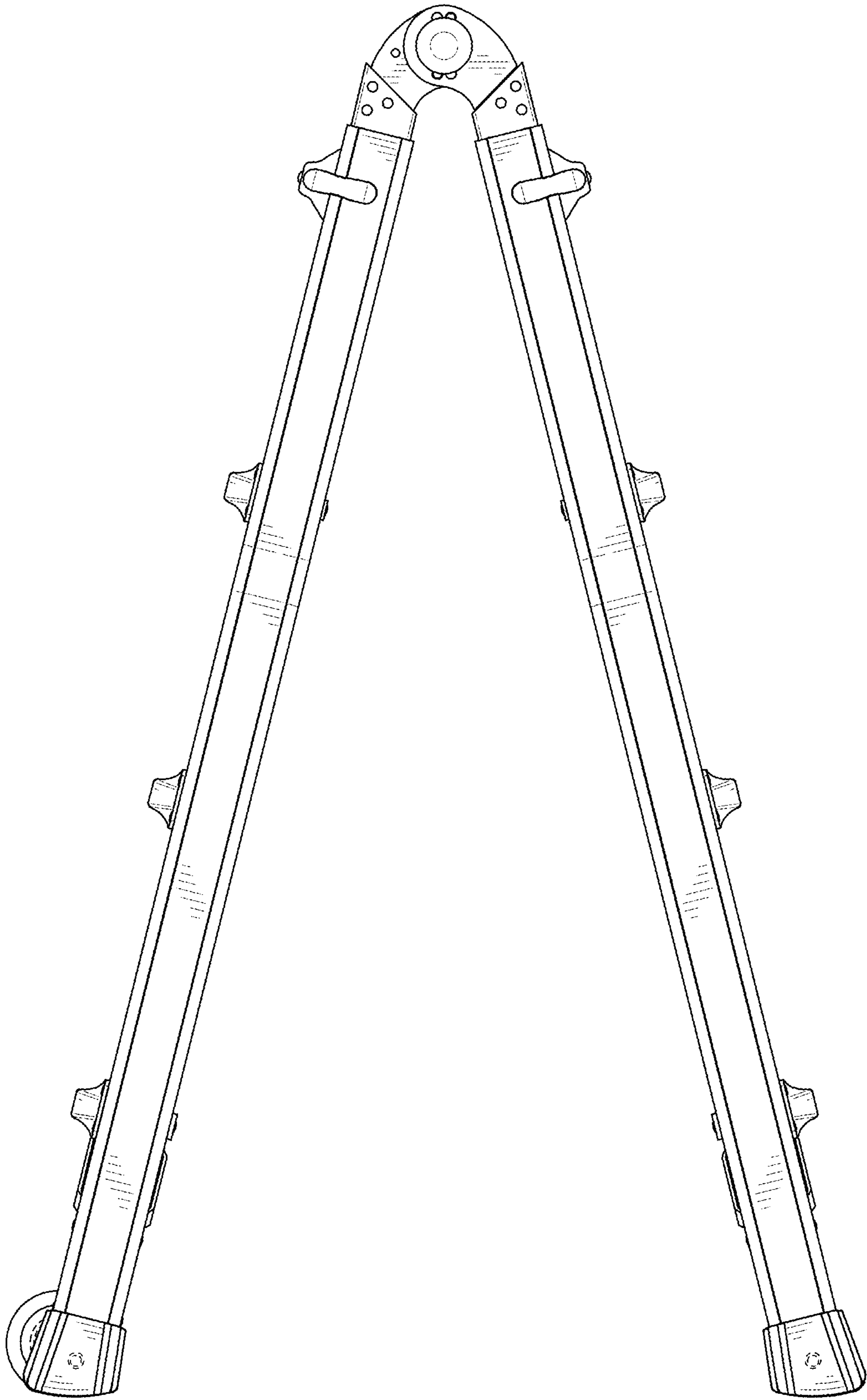


FIG. 3

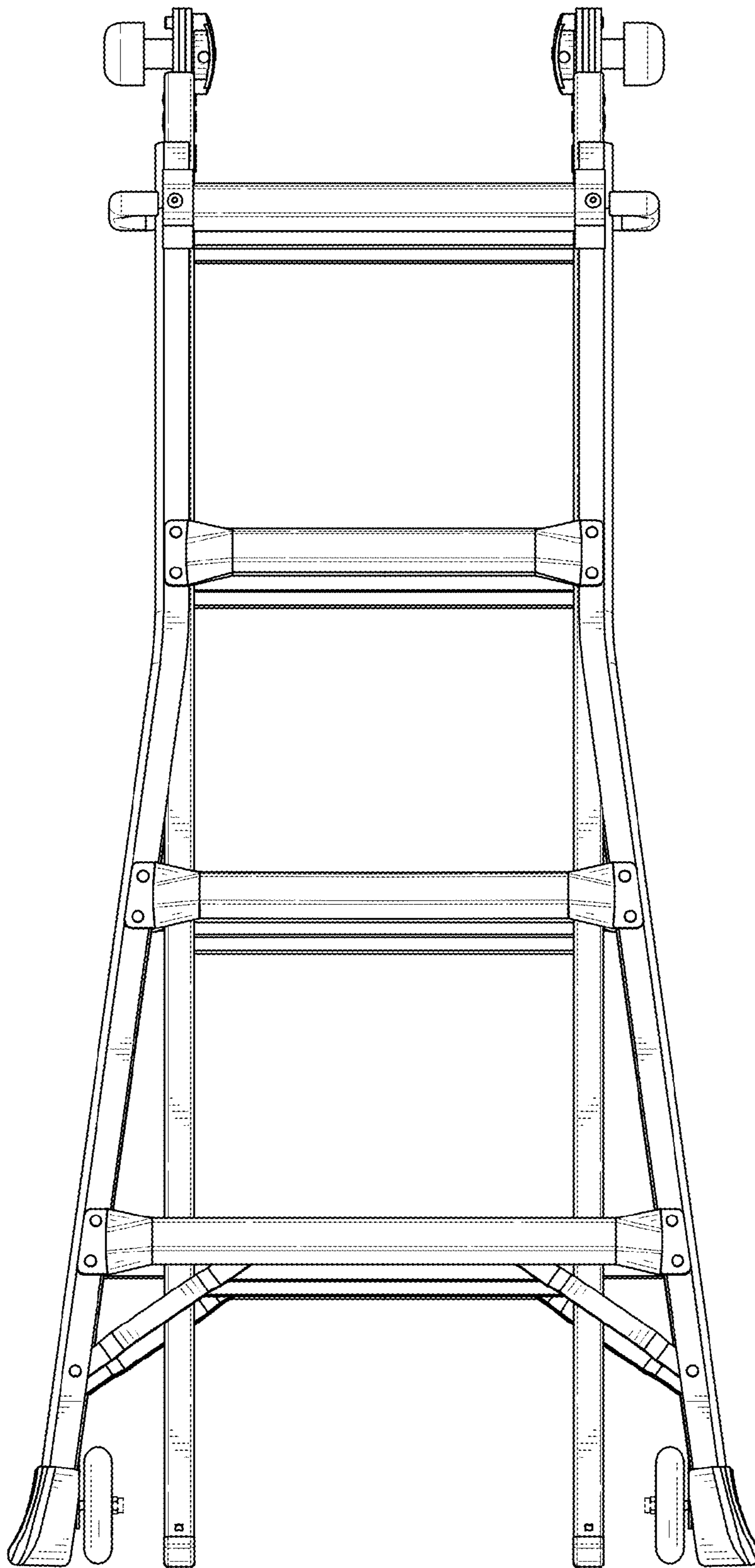


FIG. 4

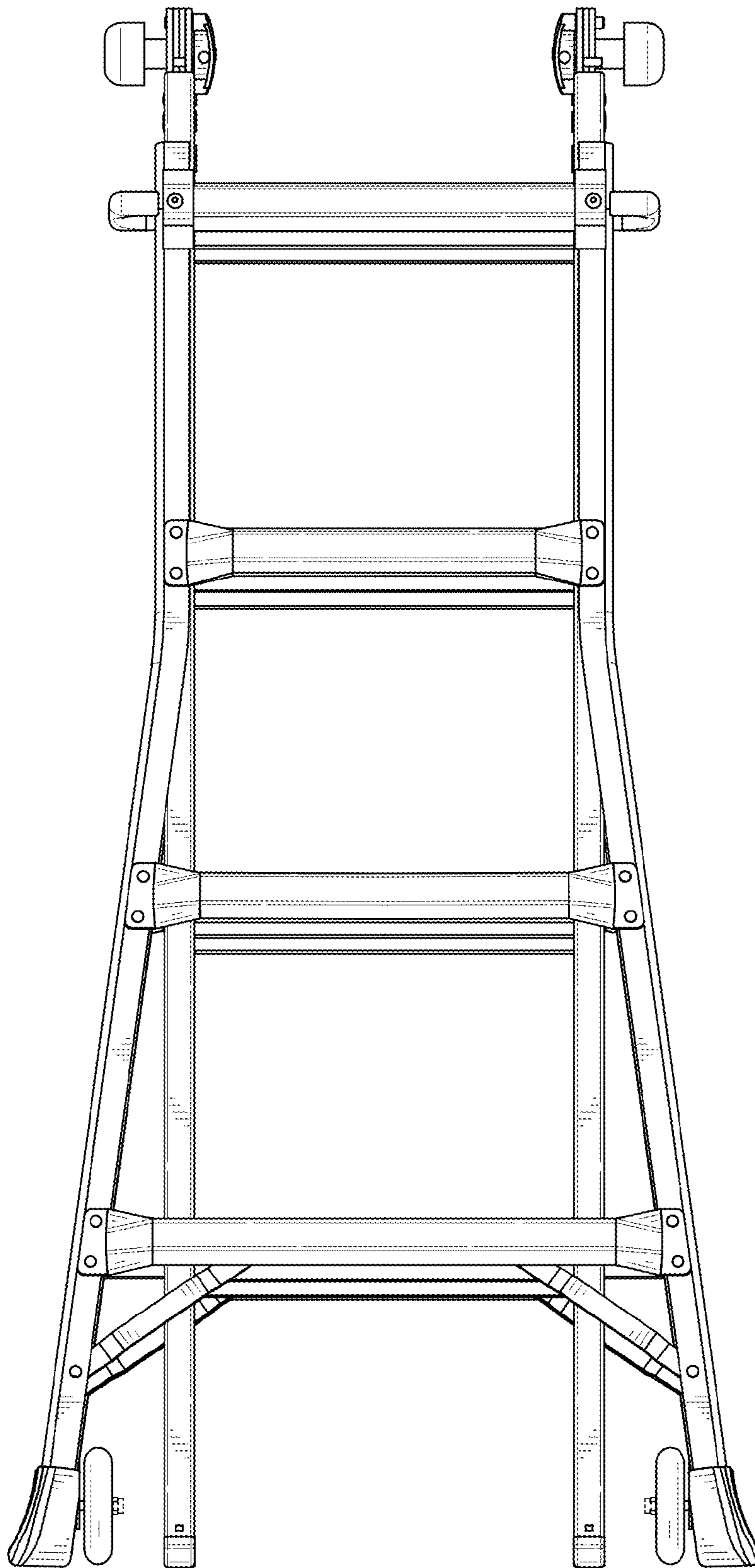


FIG. 5

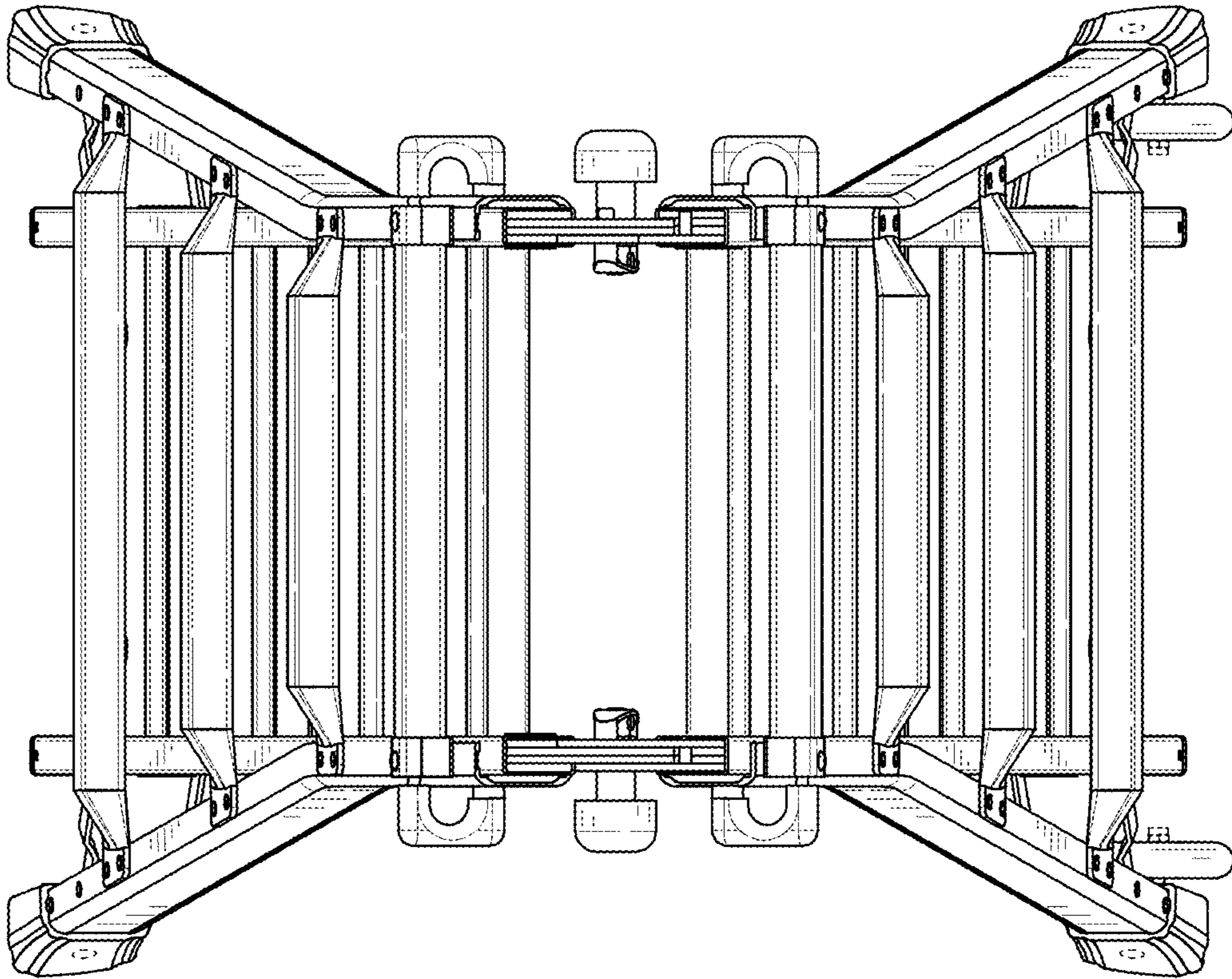


FIG. 6

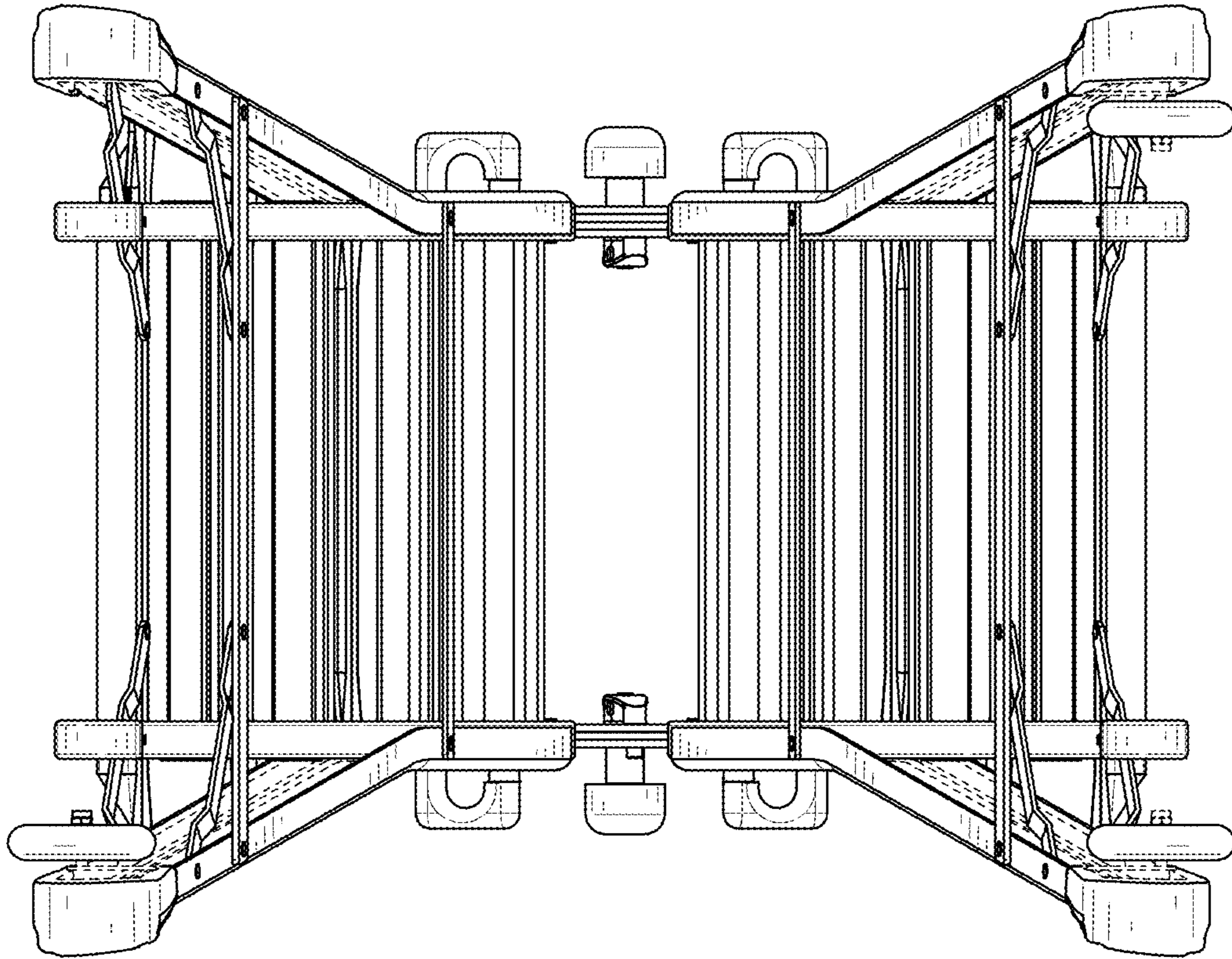


FIG. 7

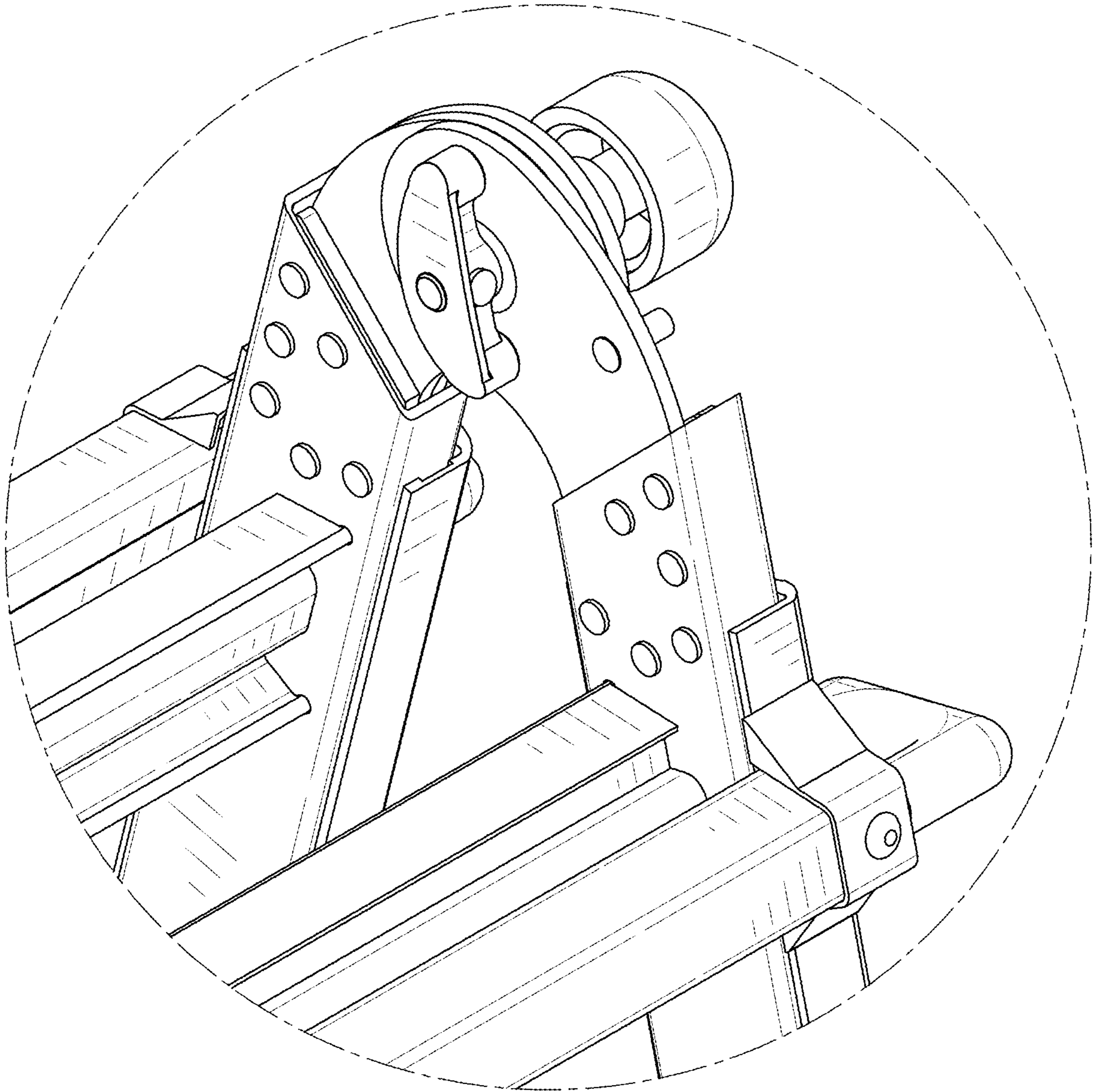


FIG. 8

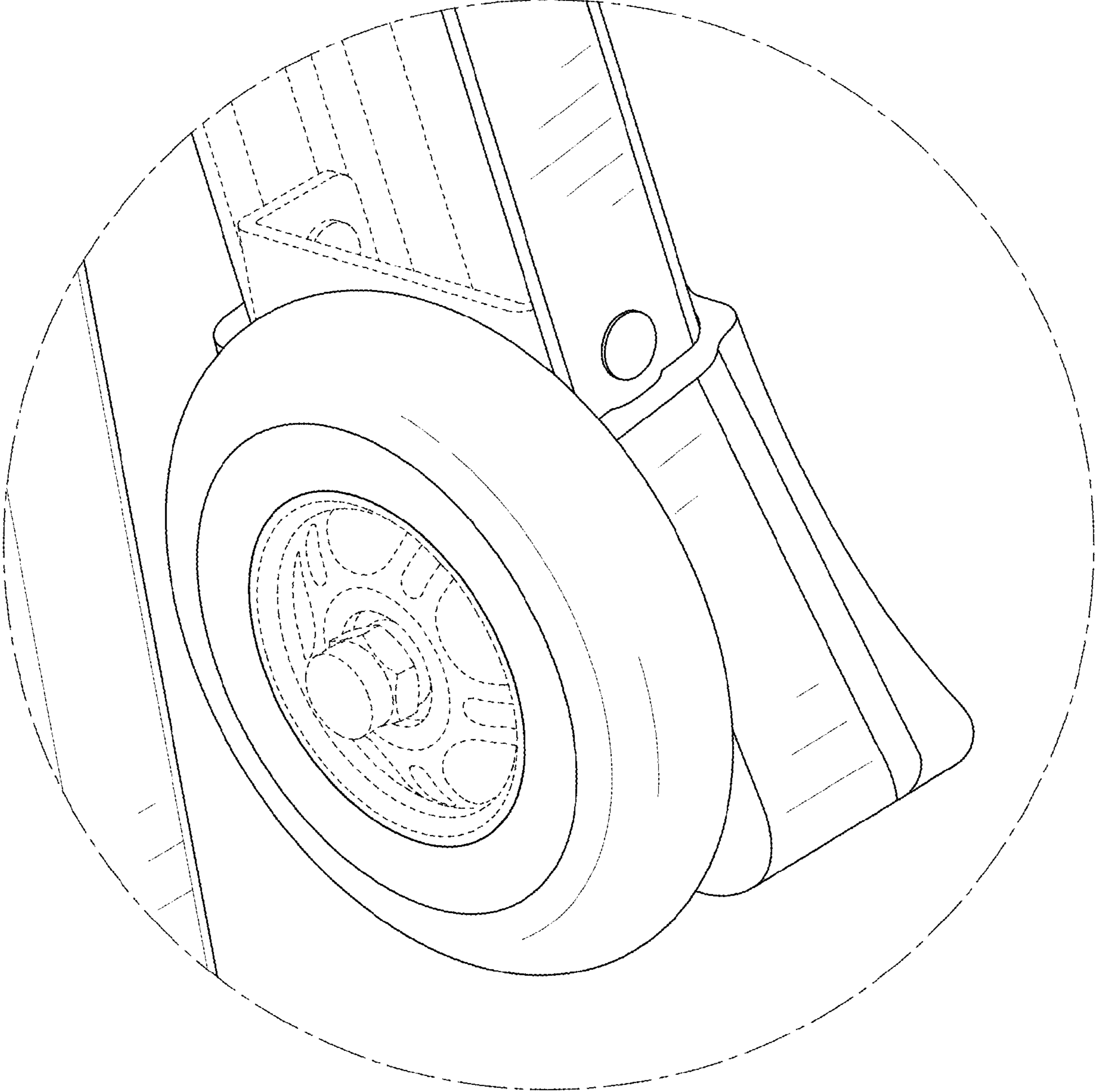


FIG. 9