



US00D949435S

(12) **United States Design Patent**
Zhu

(10) **Patent No.:** **US D949,435 S**
(45) **Date of Patent:** **** Apr. 19, 2022**

(54) **BOOTH**

(71) Applicant: **3DS ENGINEERING
PROCUREMENT CONSTRUCTION
SUZHOU CO., LTD., Suzhou (CN)**

(72) Inventor: **Weiwei Zhu, Kunshan (CN)**

(73) Assignee: **3DS ENGINEERING
PROCUREMENT CONSTRUCTION
SUZHOU CO., LTD., Suzhou (CN)**

(**) Term: **15 Years**

(21) Appl. No.: **29/681,393**

(22) Filed: **Feb. 25, 2019**

(30) **Foreign Application Priority Data**

Sep. 21, 2018 (CN) 201830533566.X

(51) **LOC (13) Cl.** **25-03**

(52) **U.S. Cl.**
USPC **D25/16**

(58) **Field of Classification Search**
USPC D25/1, 3, 4, 7-11, 16, 18-21, 31-35;
D12/101-105; D6/332, 337, 640-644;
D16/215; D24/209, 210
CPC E04H 1/00-1277; E04H 1/14; E04H
2001/1283-1294

See application file for complete search history.

(56) **References Cited**

U.S. PATENT DOCUMENTS

D245,706 S * 9/1977 McAllister D25/16
D638,551 S * 5/2011 Gann D25/16
D664,667 S * 7/2012 Krymov D25/16
D731,077 S * 6/2015 Lehmann D25/16
D732,691 S * 6/2015 Hallfors D25/16
D732,692 S * 6/2015 Hallfors D25/16
D734,491 S * 7/2015 Krymov D25/16

D736,950 S * 8/2015 Dar D25/16
D764,667 S * 8/2016 Shiue D24/158
D768,874 S * 10/2016 Walter D25/16
D787,704 S * 5/2017 Walter D25/16
D788,318 S * 5/2017 Jennings D25/16
D844,810 S * 4/2019 Hallfors D25/16
D844,812 S * 4/2019 Zhu D25/16
D844,819 S * 4/2019 Zhu D25/16
D846,147 S * 4/2019 Zhu D25/16
D855,827 S * 8/2019 Zhu D25/16
D856,529 S * 8/2019 Mikolajczyk D25/16
D857,233 S * 8/2019 Zhu D25/16
D870,316 S * 12/2019 Haveri D25/16
D895,148 S * 9/2020 Wallinmaa D25/18
2008/0005974 A1 * 1/2008 Delgado Vazquez ... E04H 1/125
52/36.1

(Continued)

OTHER PUBLICATIONS

Casala Palau Home Phonebooth Duo, 2016 (manufacture year), archiproducts, https://www.archiproducts.com/en/products/casala/acoustic-phone-booth-palau-home-phonebooth-duo_253579 (Year: 2016).*

Primary Examiner — Brett Miller
(74) *Attorney, Agent, or Firm* — SZDC Law P.C.

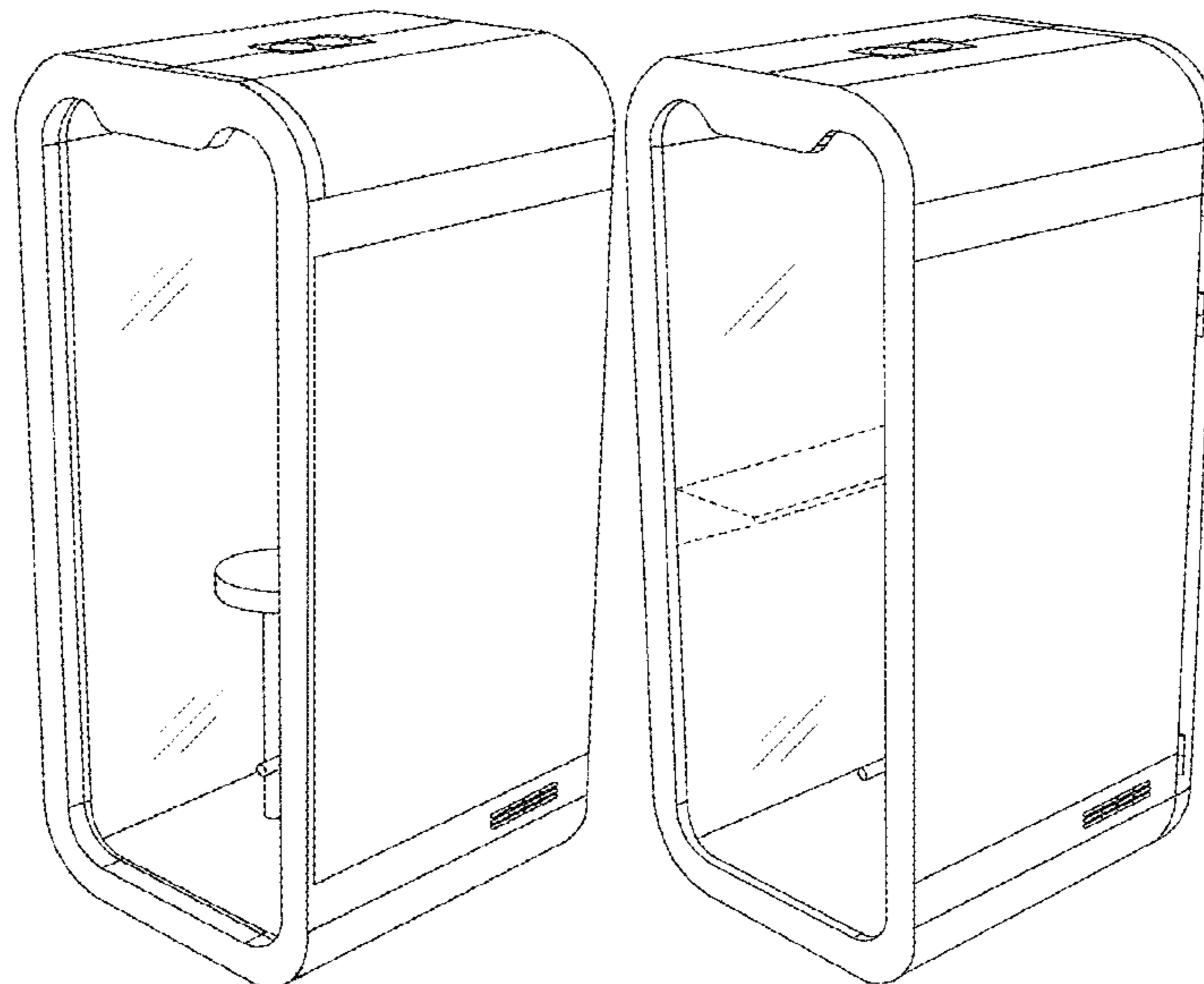
(57) **CLAIM**

The ornamental design for a booth, as shown and described.

DESCRIPTION

FIG. 1 is a front perspective view of the booth;
FIG. 2 is a back perspective view thereof;
FIG. 3 is a front view thereof;
FIG. 4 is a back view thereof;
FIG. 5 is a left view thereof;
FIG. 6 is a right view thereof; and,
FIG. 7 is a top view thereof.
The broken lines depict portions of the booth that form no part of the claim.

1 Claim, 7 Drawing Sheets



(56)

References Cited

U.S. PATENT DOCUMENTS

2020/0324515 A1* 10/2020 Halfors B32B 7/12

* cited by examiner

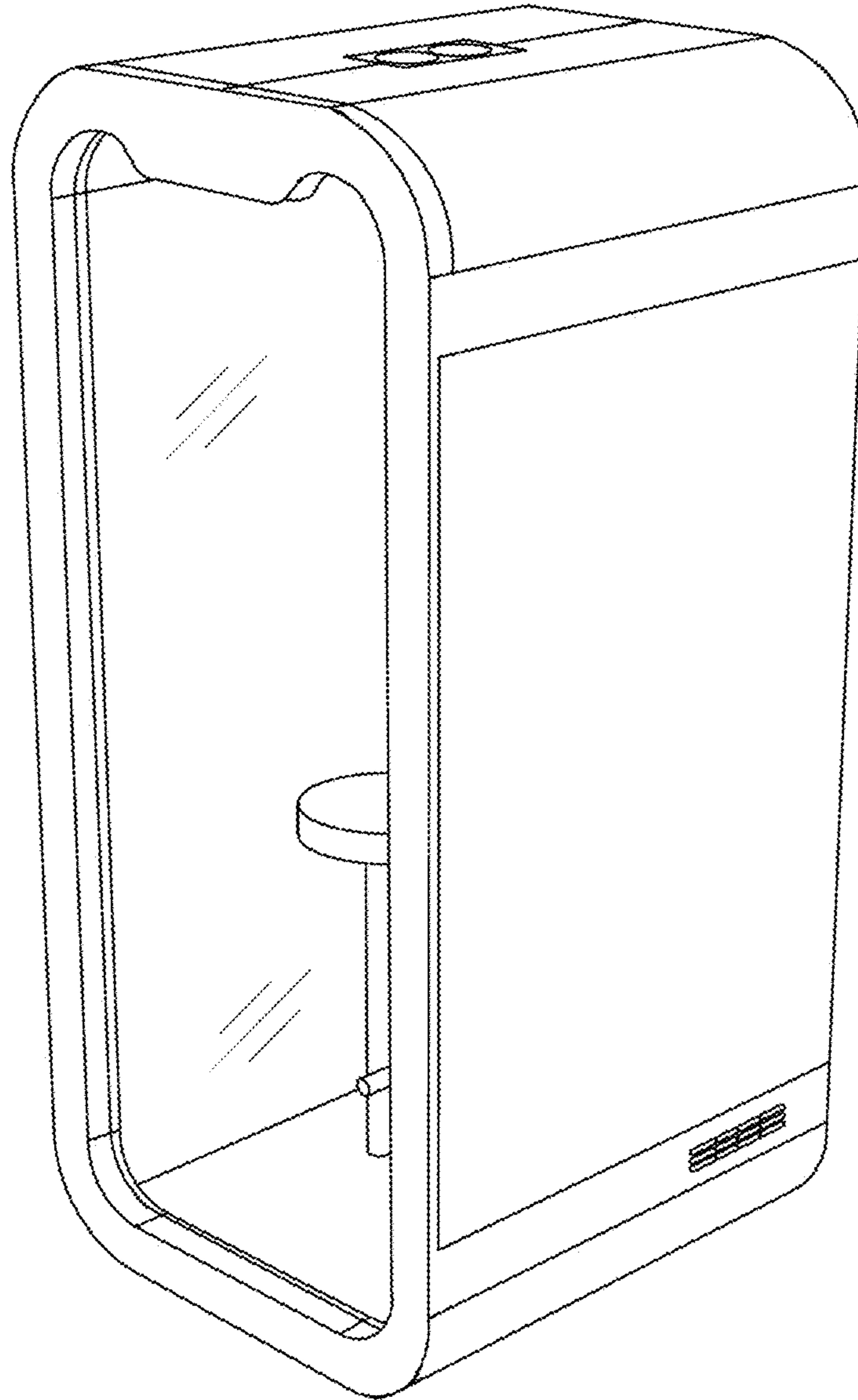


FIG. 1

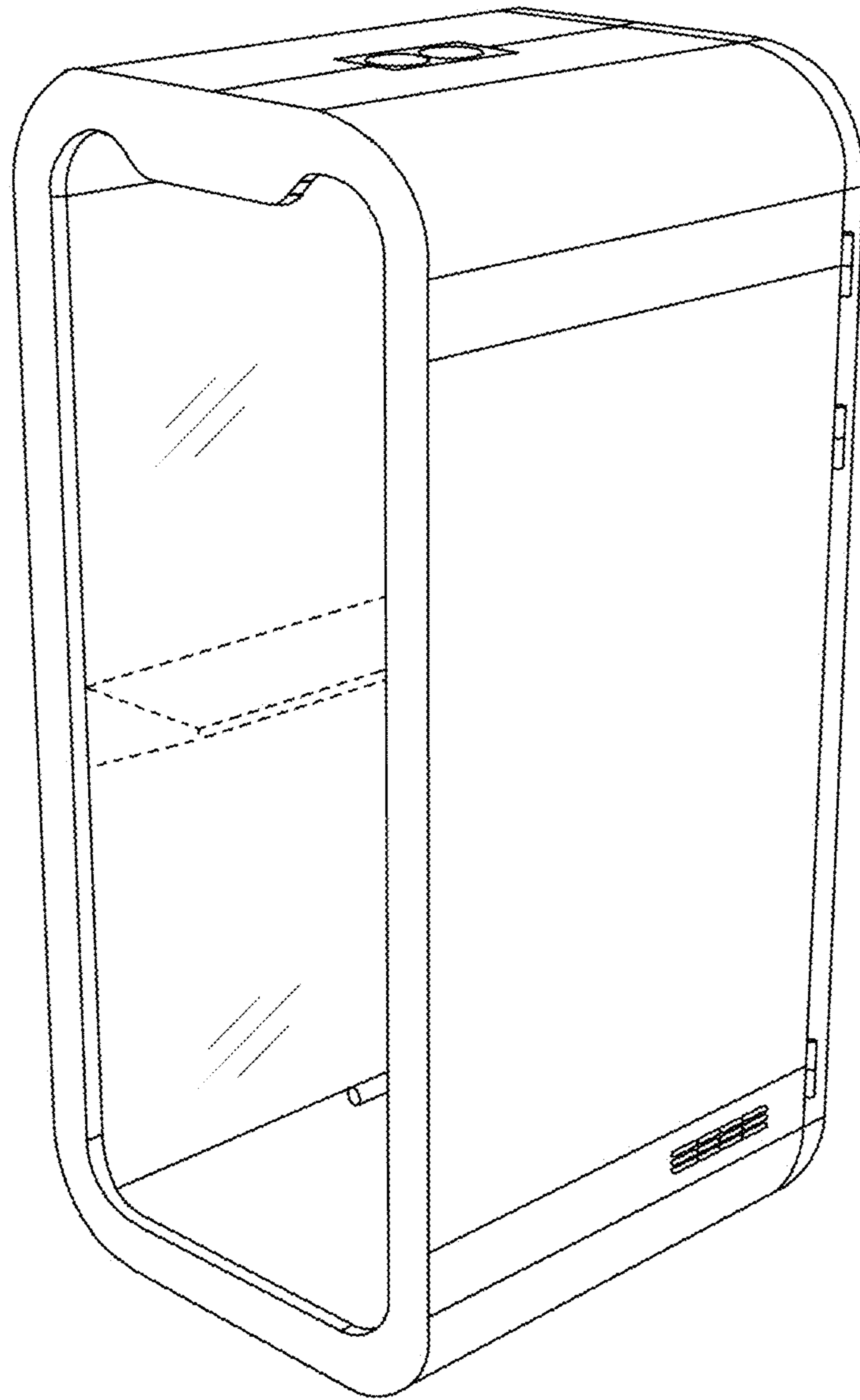


FIG. 2

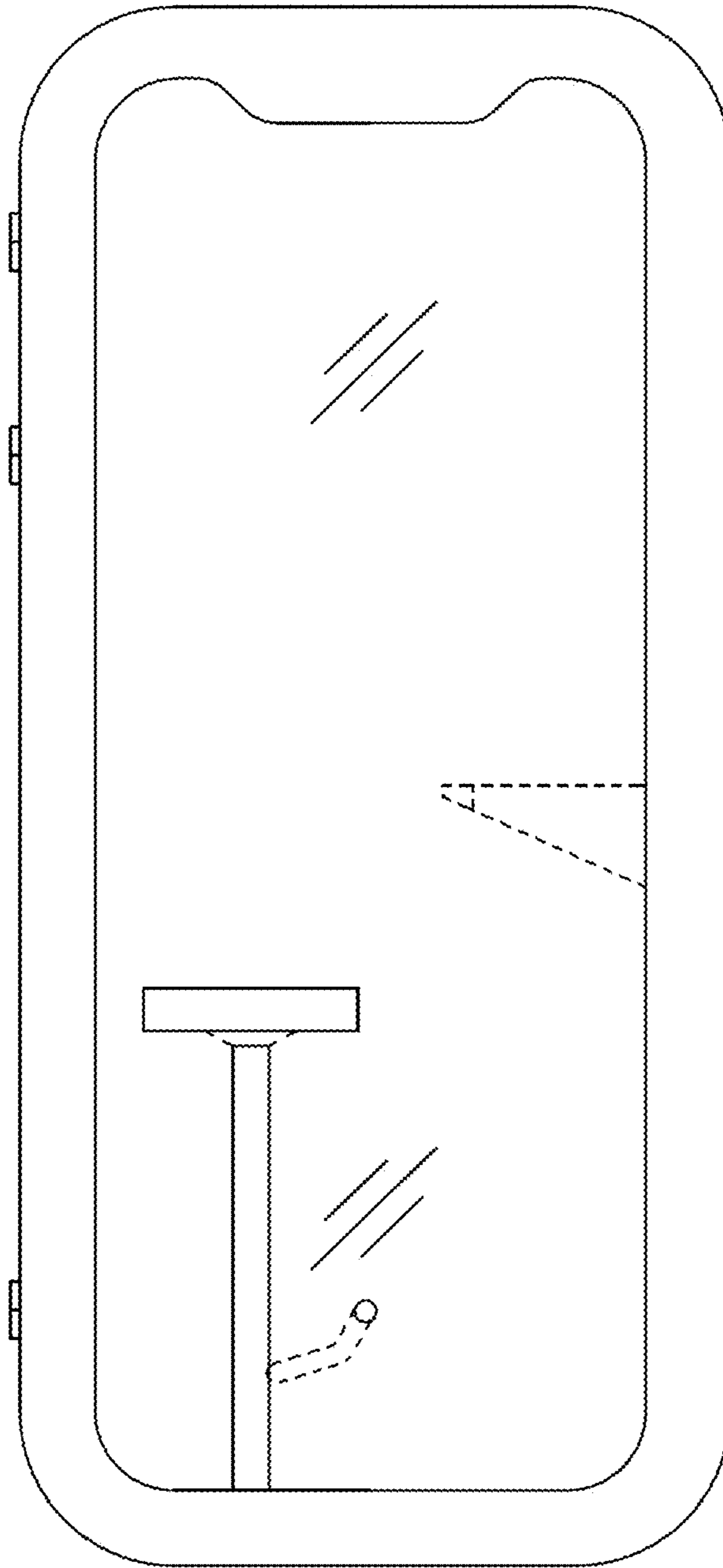


FIG. 3

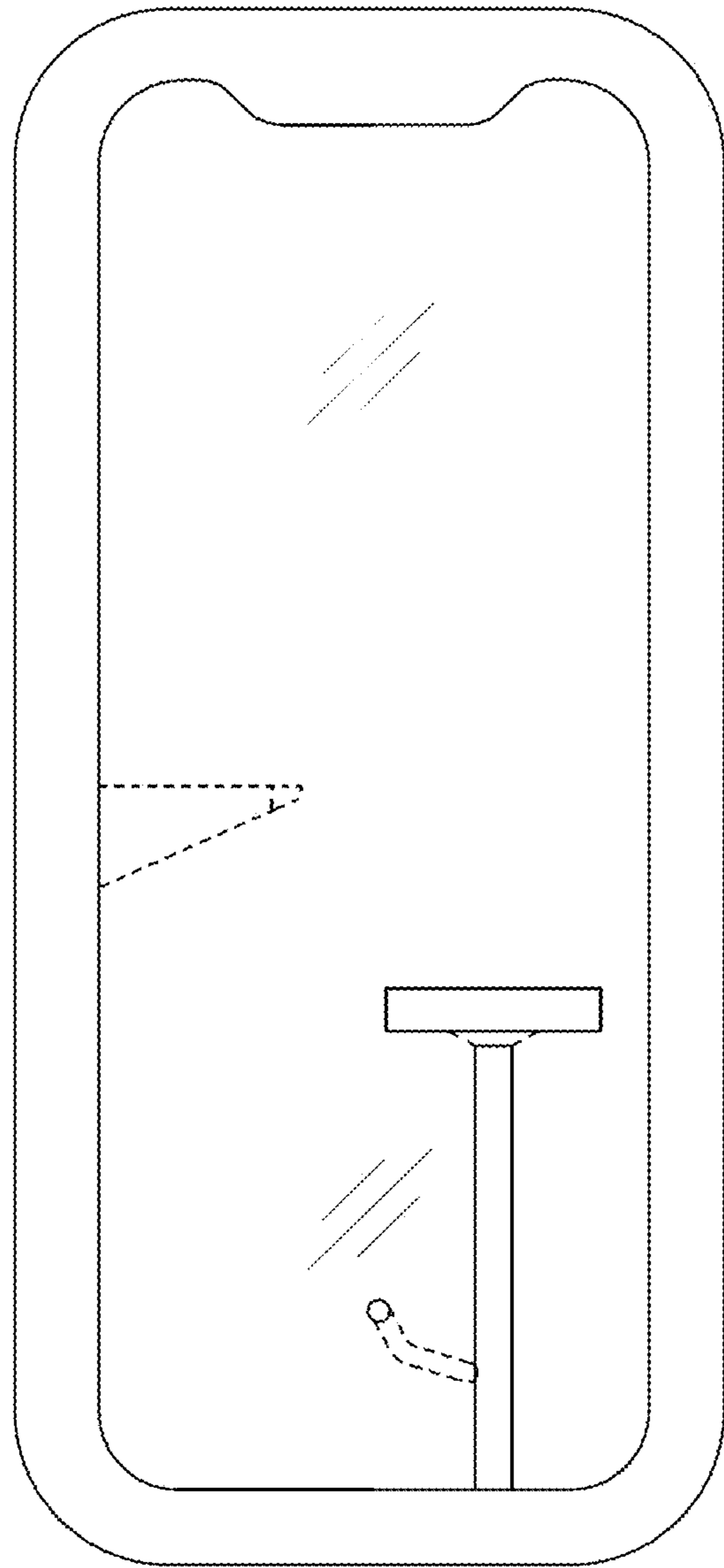


FIG. 4

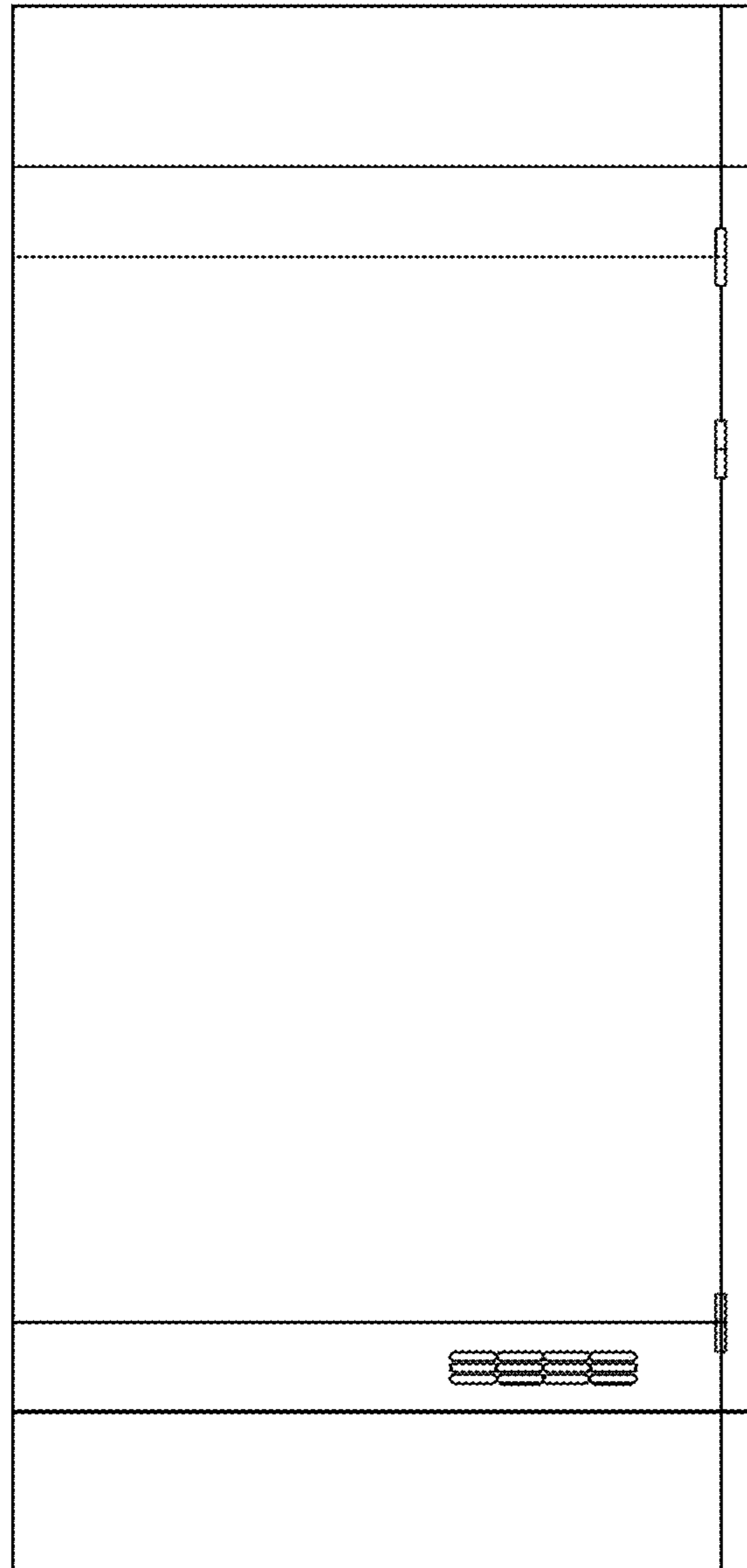


FIG. 5

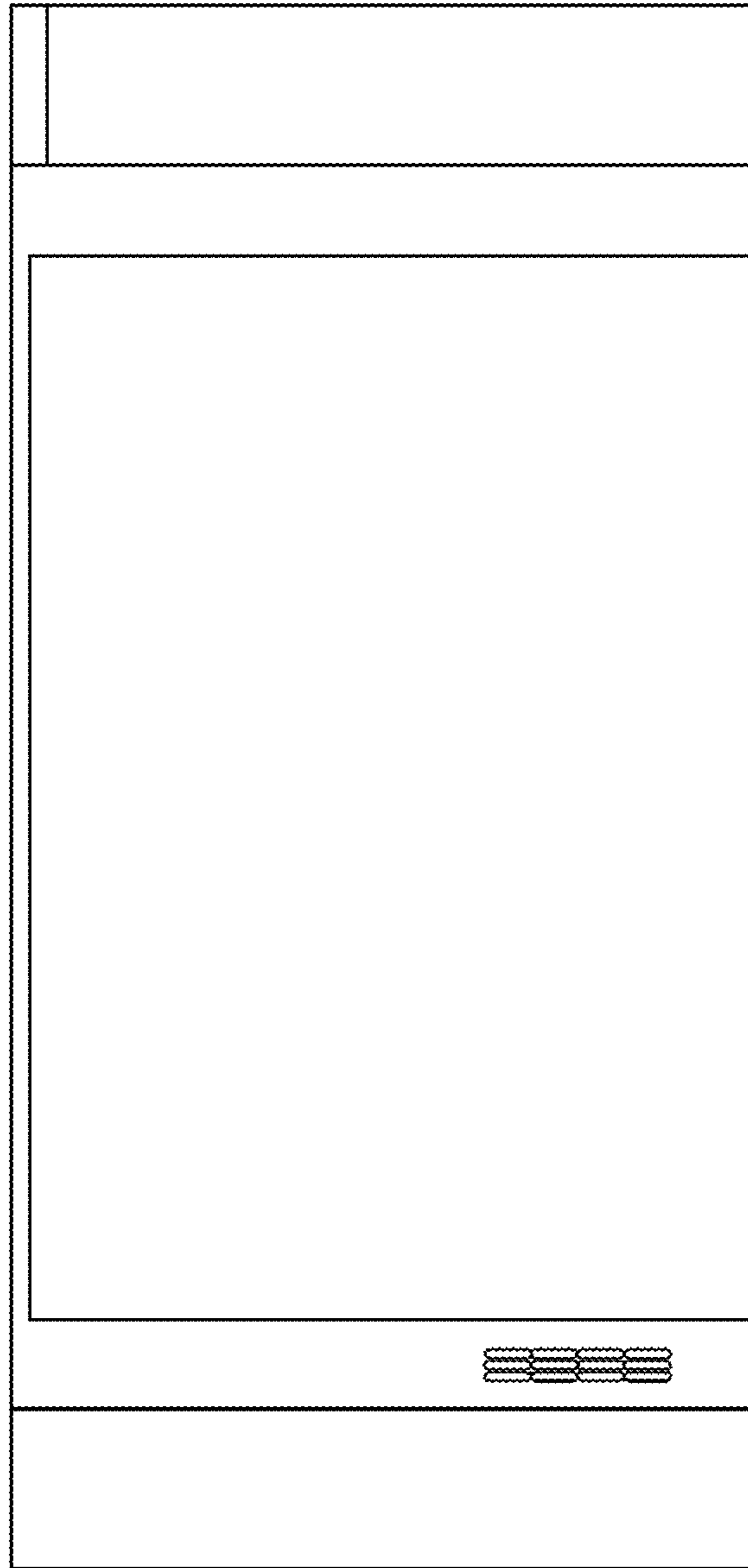


FIG. 6

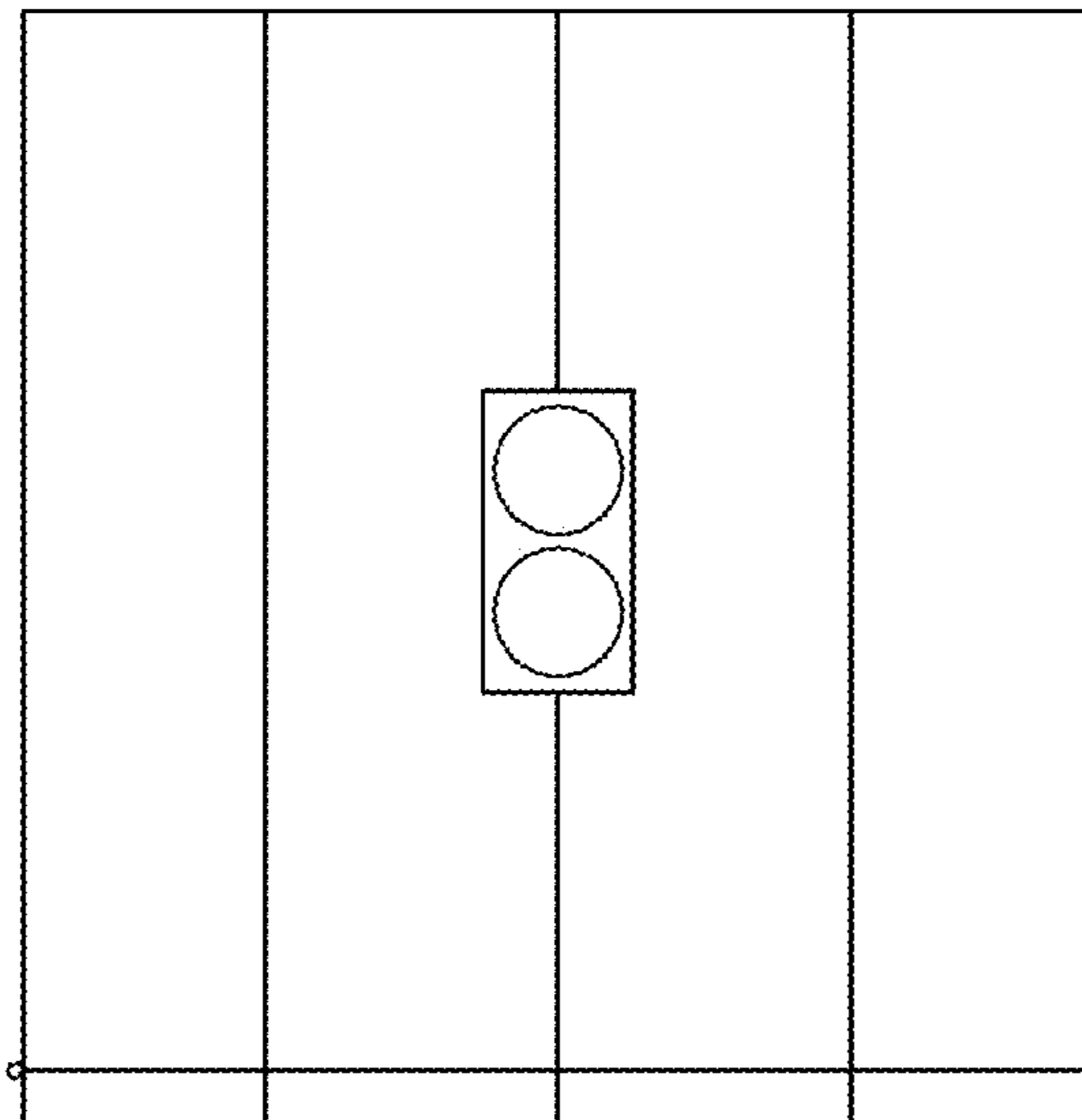


FIG. 7