



US00D949434S

(12) **United States Design Patent**
Hacker

(10) **Patent No.:** **US D949,434 S**

(45) **Date of Patent:** **** Apr. 19, 2022**

(54) **SPECIMEN BOTTLE**

(71) Applicant: **Nano 2.0 Business Press, LLC**, Delray Beach, FL (US)

(72) Inventor: **Steven M. Hacker**, Delray Beach, FL (US)

(73) Assignee: **Nano 2.0 Business Press, LLC**, Delray Beach, FL (US)

(**) Term: **15 Years**

(21) Appl. No.: **29/687,602**

(22) Filed: **Apr. 14, 2019**

(51) **LOC (13) Cl.** **24-02**

(52) **U.S. Cl.**
USPC **D24/224**

(58) **Field of Classification Search**
USPC D24/121-123, 207, 216, 224, 226, 227,
D24/229, 230; D7/700, 510, 511, 523;
D9/503, 504, 529, 537, 539, 540, 547,
D9/549
CPC A61B 10/007; A61B 2010/0009; A61J
1/1412; G01N 33/558
See application file for complete search history.

(56) **References Cited**

U.S. PATENT DOCUMENTS

D3,827 S * 2/1870 Clarks D24/123
D307,053 S * 4/1990 Muller D24/223
5,119,830 A * 6/1992 Davis B01L 3/502
422/568
5,672,321 A * 9/1997 Daykin A61J 1/1412
215/252
D420,744 S * 2/2000 Ostgaard D24/224
7,300,633 B2 * 11/2007 Hudak B01L 3/502
422/537
D610,700 S * 2/2010 Khoury D24/224
D613,874 S * 4/2010 Lafond D24/226
D631,169 S * 1/2011 Cheeley D24/224

D674,241 S * 1/2013 Bickert D7/510
D688,523 S * 8/2013 Lees D7/510
D690,826 S * 10/2013 Kuroda D24/224

(Continued)

FOREIGN PATENT DOCUMENTS

JP D2012-24886 * 10/2012

OTHER PUBLICATIONS

Tamper-Proof Collection Bottle. Online, published date unknown. Retrieved on Sep. 16, 2020 from URL: <https://www.alcopro.com/product/tamper-proof-specimen-collection-bottle/>.*

Primary Examiner — Omeed Agilee

(74) *Attorney, Agent, or Firm* — Nancy J. Flint, Attorney At Law, P.A.; Nancy J. Flint, Esq.

(57) **CLAIM**

The ornamental design for a specimen bottle, as shown and described.

DESCRIPTION

FIG. 1 is a perspective view of a first embodiment of a specimen bottle showing my new design;
FIG. 2 is an exploded perspective view thereof;
FIG. 3 is a top view of the specimen bottle in an assembled configuration;
FIG. 4 is a front view thereof;
FIG. 5 is a cross-sectional view thereof taken along line 5-5 in FIG. 3;
FIG. 6 is a bottom view thereof;
FIG. 7 is a perspective view of a second embodiment of a specimen bottle;
FIG. 8 is an exploded perspective view thereof;
FIG. 9 is a top view of the specimen bottle in an assembled configuration;
FIG. 10 is a front view thereof;
FIG. 11 is a cross-sectional view thereof taken along line 11-11 in FIG. 9; and,
FIG. 12 is a bottom view thereof.

1 Claim, 8 Drawing Sheets



(56)

References Cited

U.S. PATENT DOCUMENTS

D719,829 S * 12/2014 Ferber D9/503
D731,064 S * 6/2015 Seto D24/156
9,075,039 B2 * 7/2015 Hansen B65D 41/005
9,091,682 B1 7/2015 Hacker
D805,634 S * 12/2017 Mangiafico D24/121
D805,847 S * 12/2017 Sandoval D7/510
D842,494 S * 3/2019 Lee D24/224
10,222,371 B1 3/2019 Hacker
10,493,447 B2 * 12/2019 Mangiafico B01L 3/561
D894,419 S * 8/2020 Nemeth D24/224
D895,139 S * 9/2020 Hong D24/224
2003/0022392 A1 * 1/2003 Hudak B01L 3/502
436/518
2017/0239651 A1 * 8/2017 Higgins B01L 3/508
2019/0240654 A1 * 8/2019 Stephens B01L 1/52

* cited by examiner

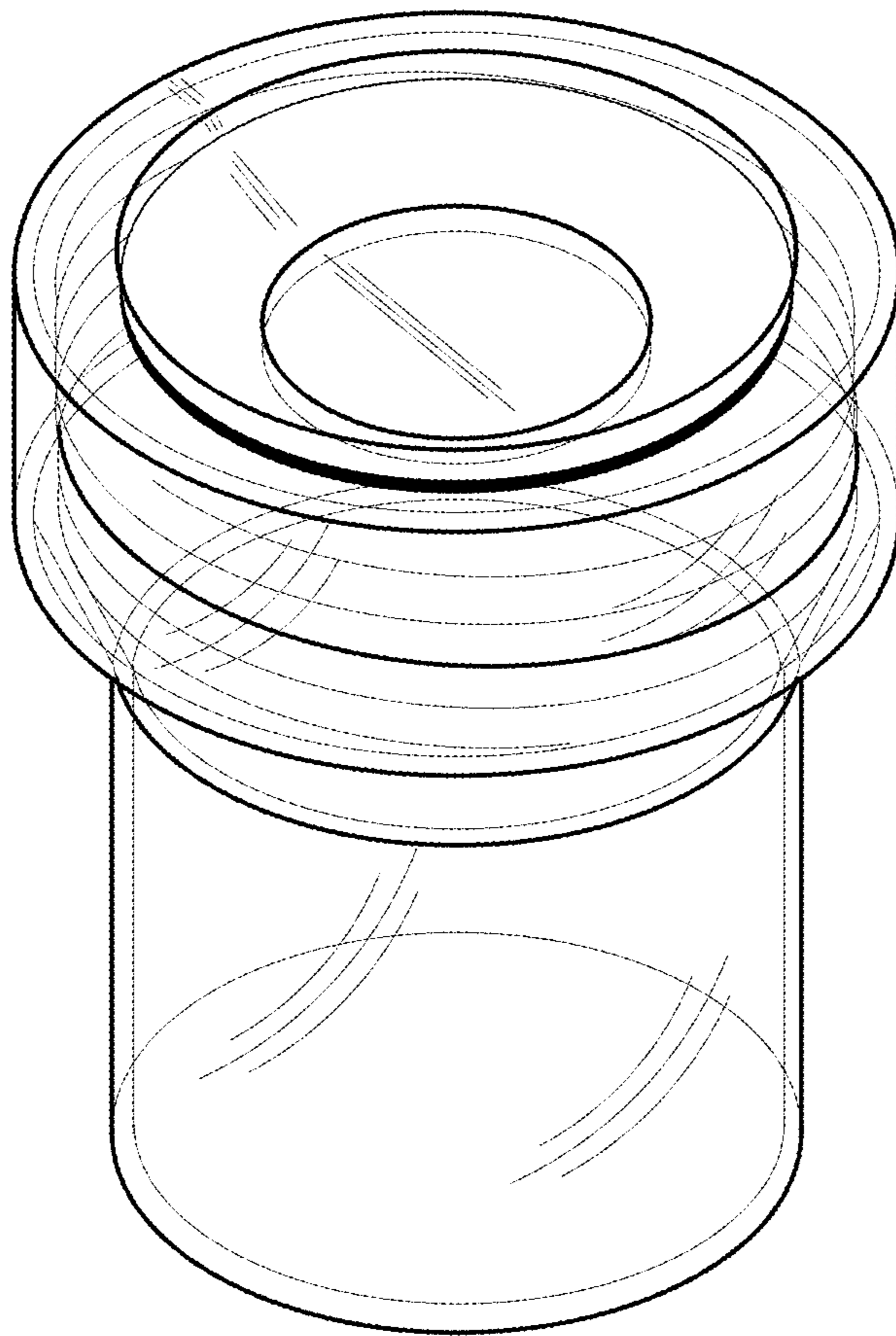


Fig. 1

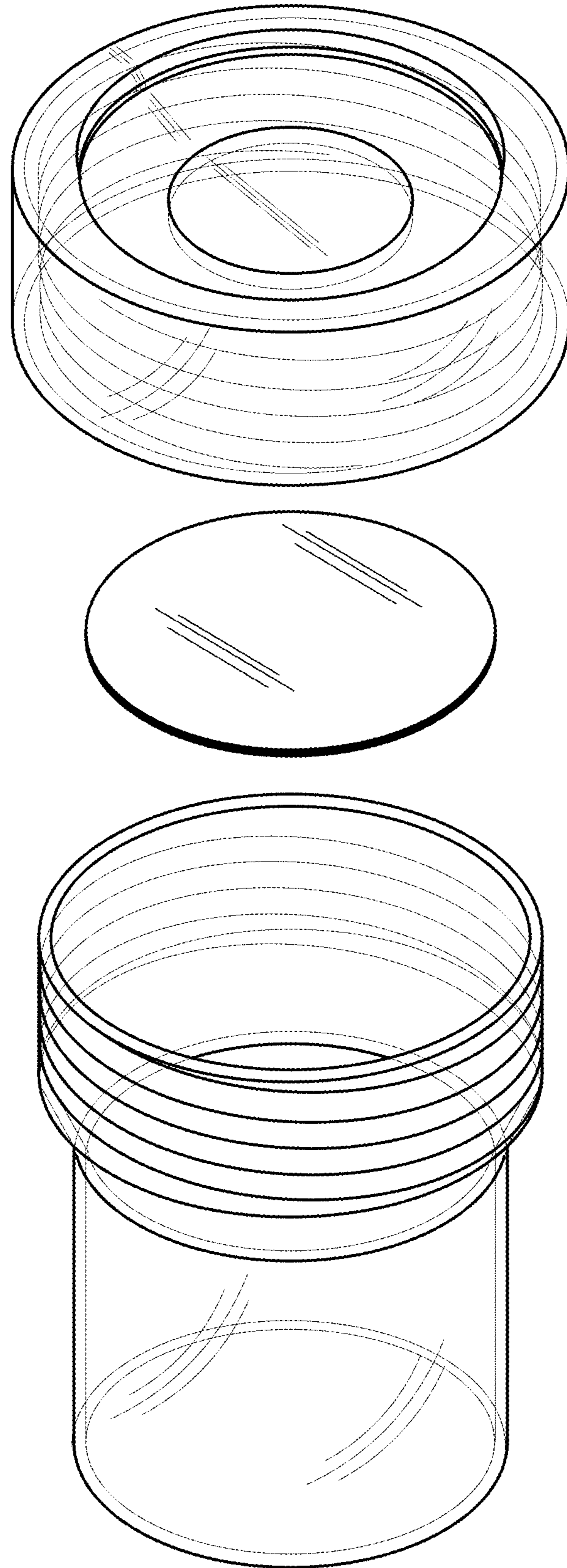


Fig. 2

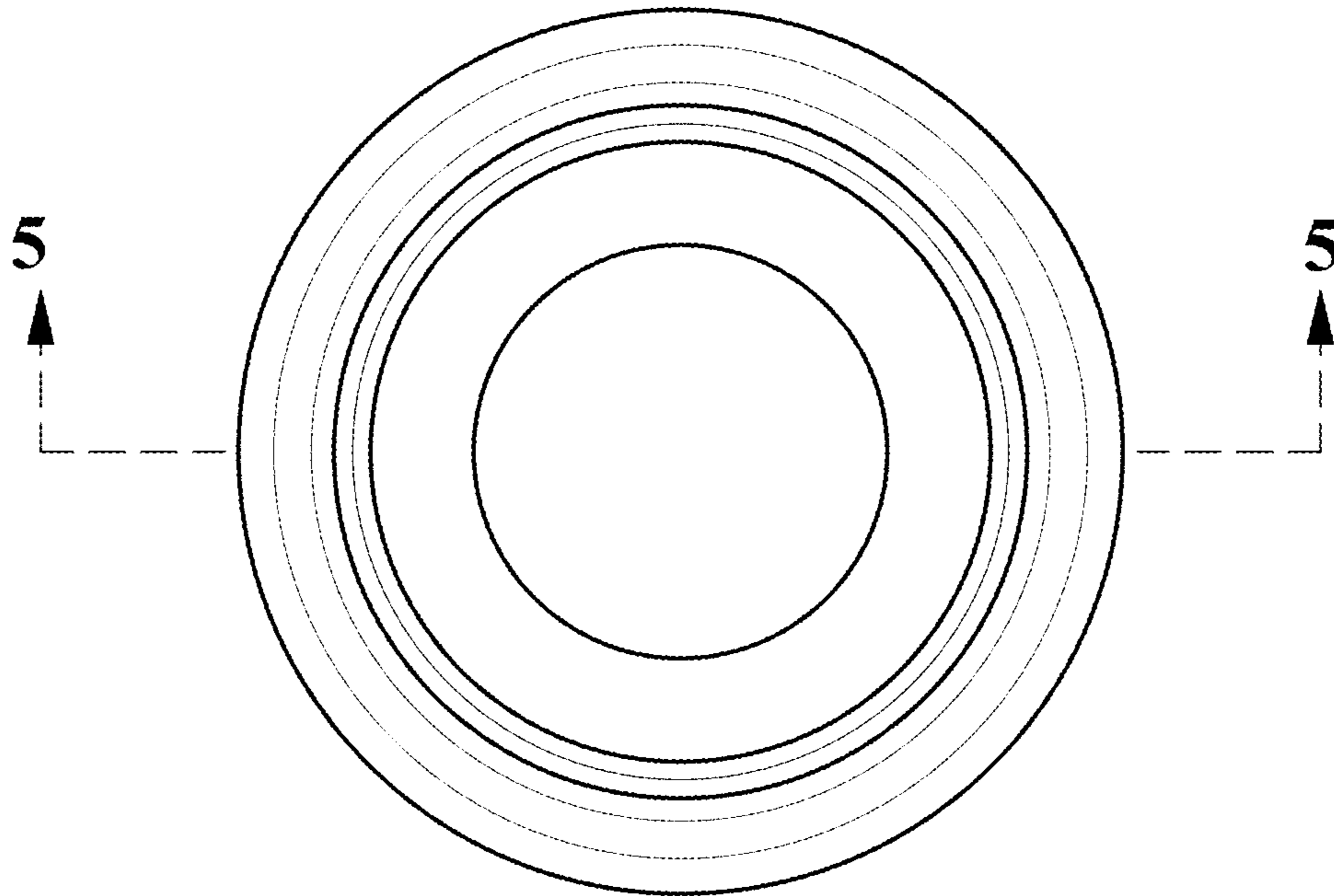


Fig. 3

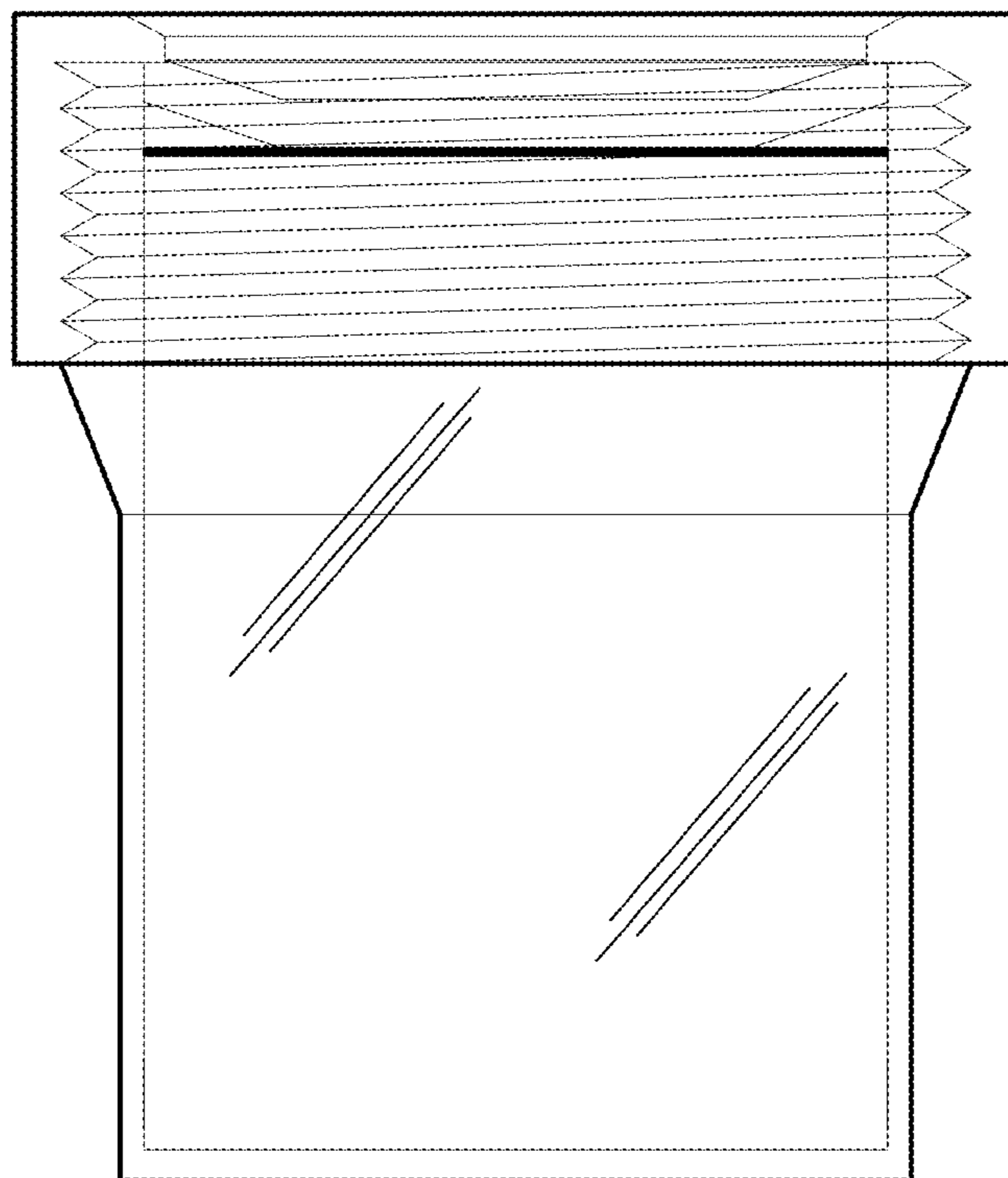


Fig. 4

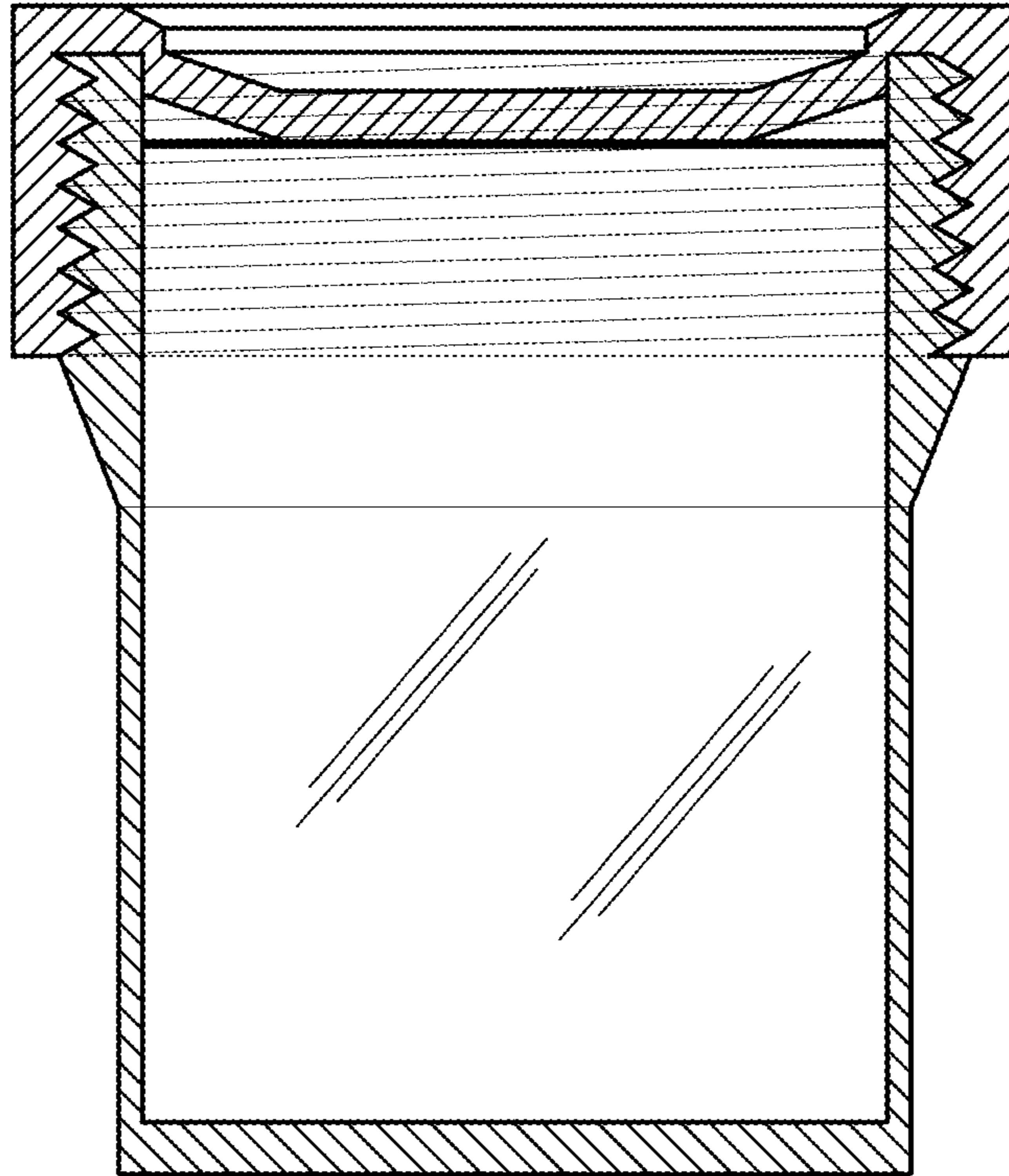


Fig. 5

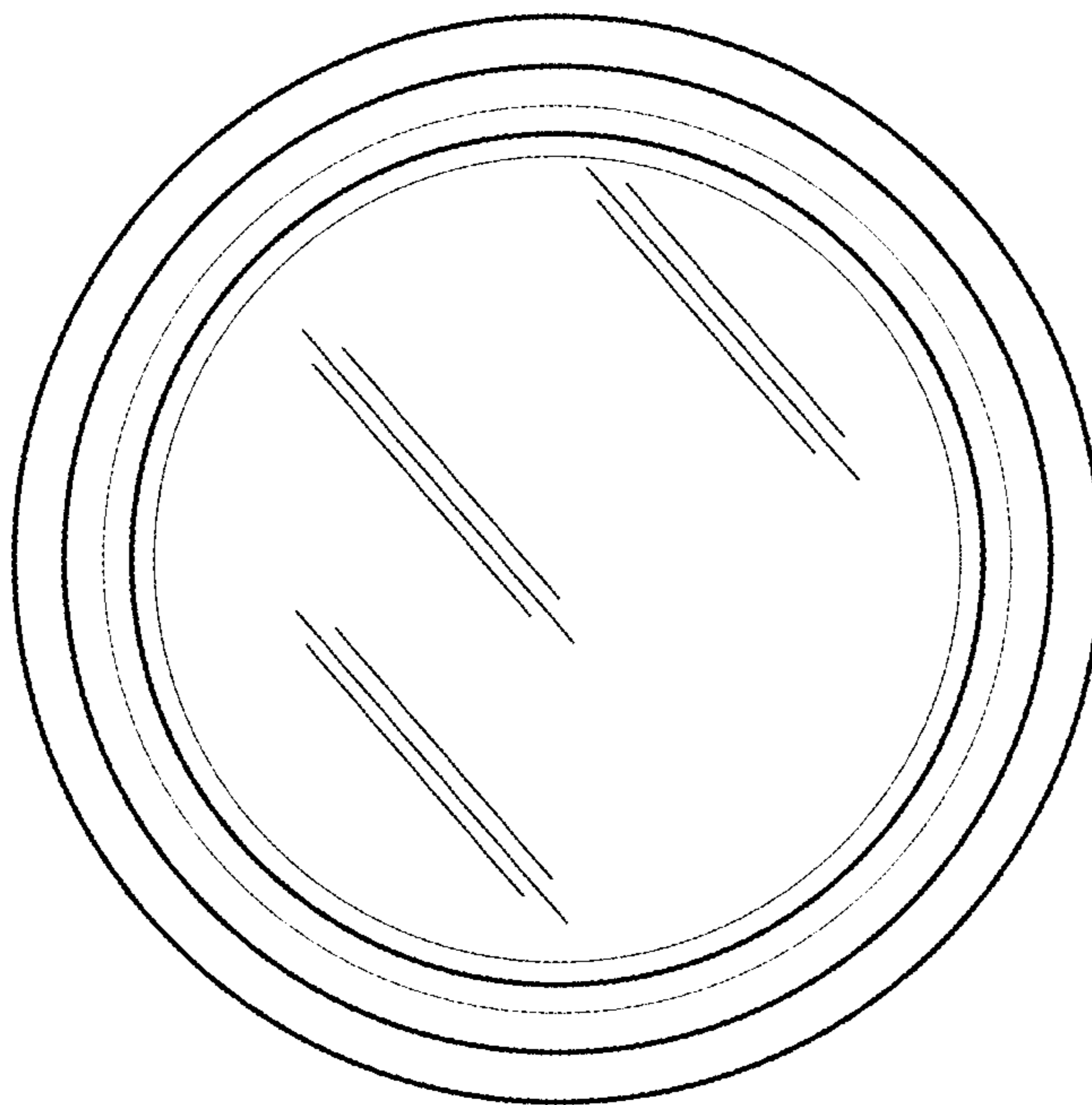


Fig. 6

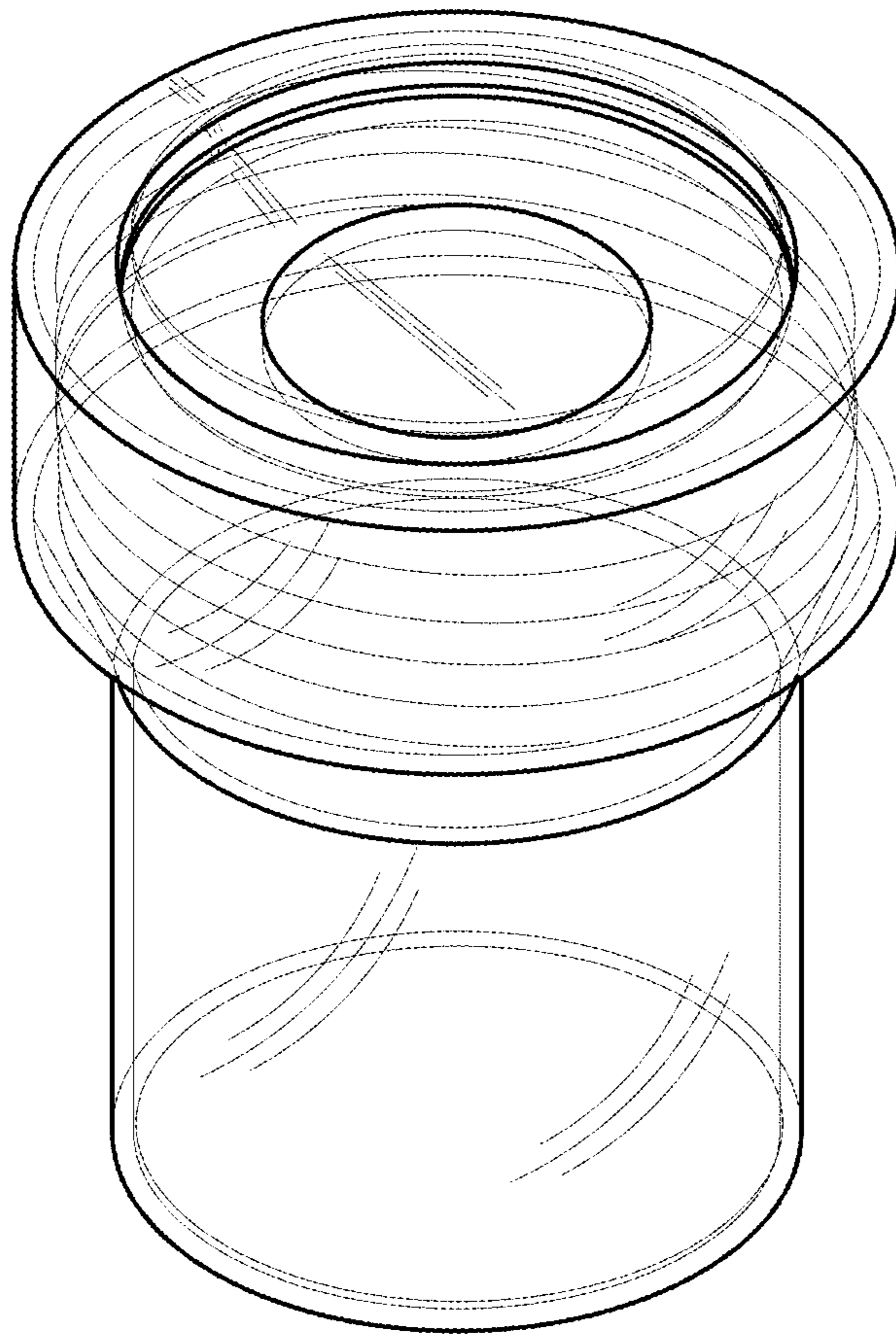


Fig. 7

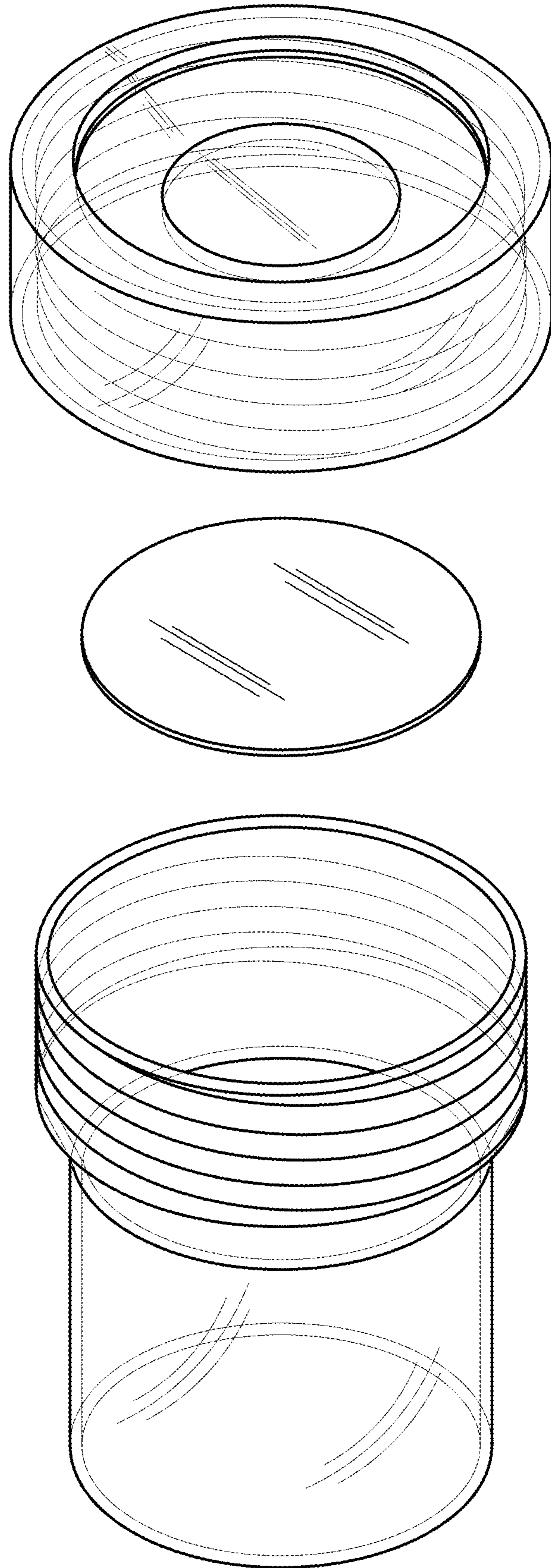


Fig. 8

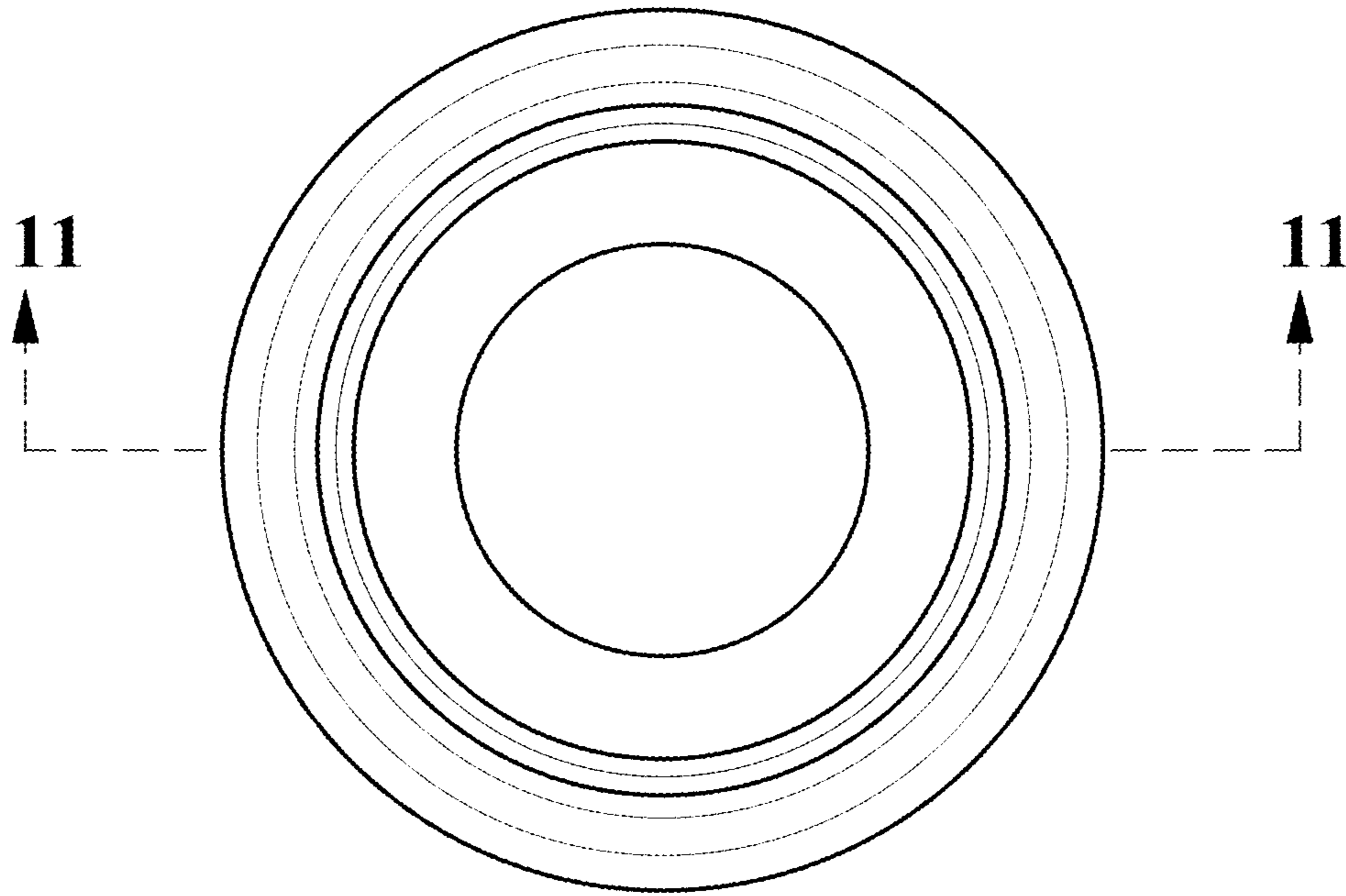


Fig. 9

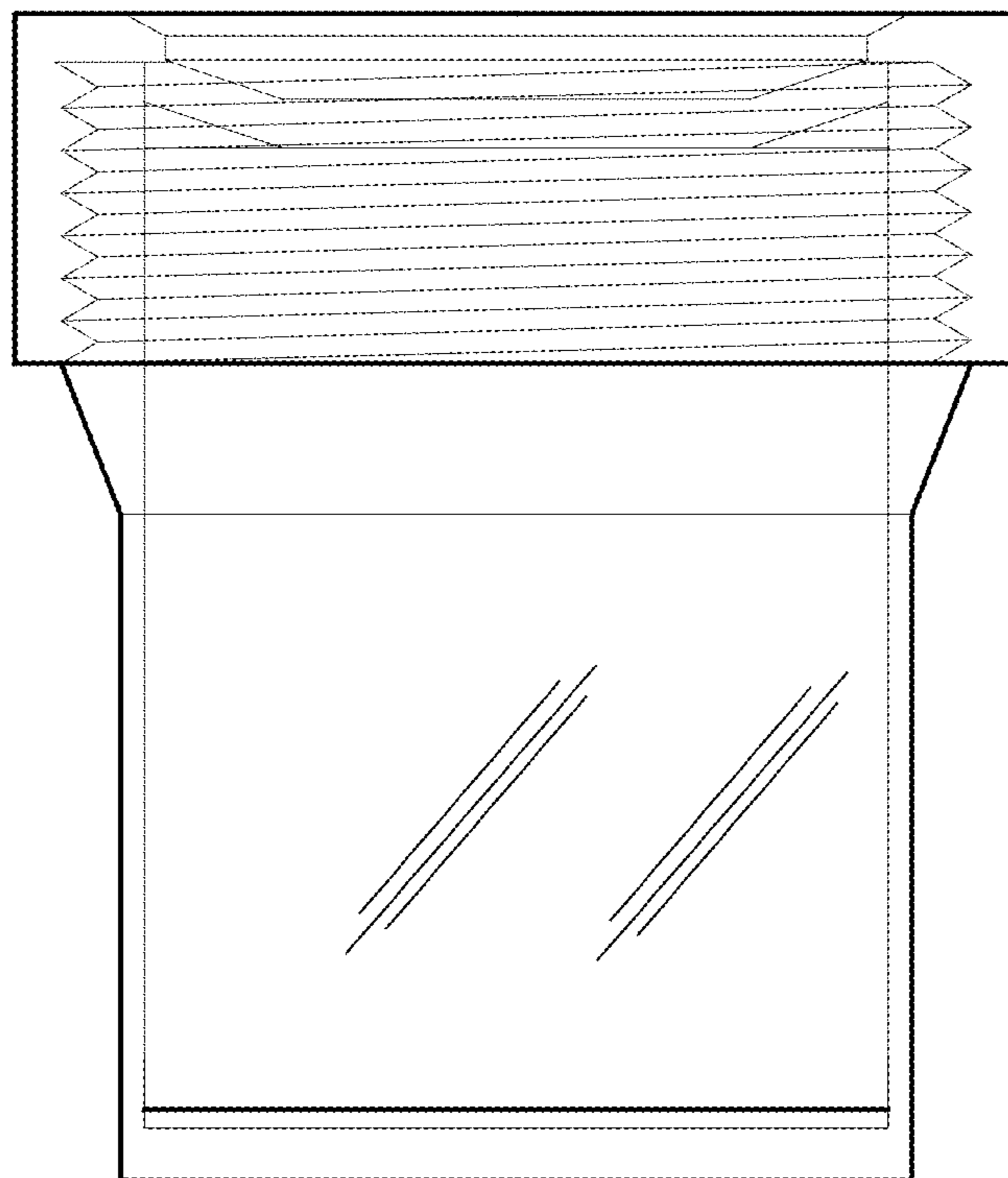


Fig. 10

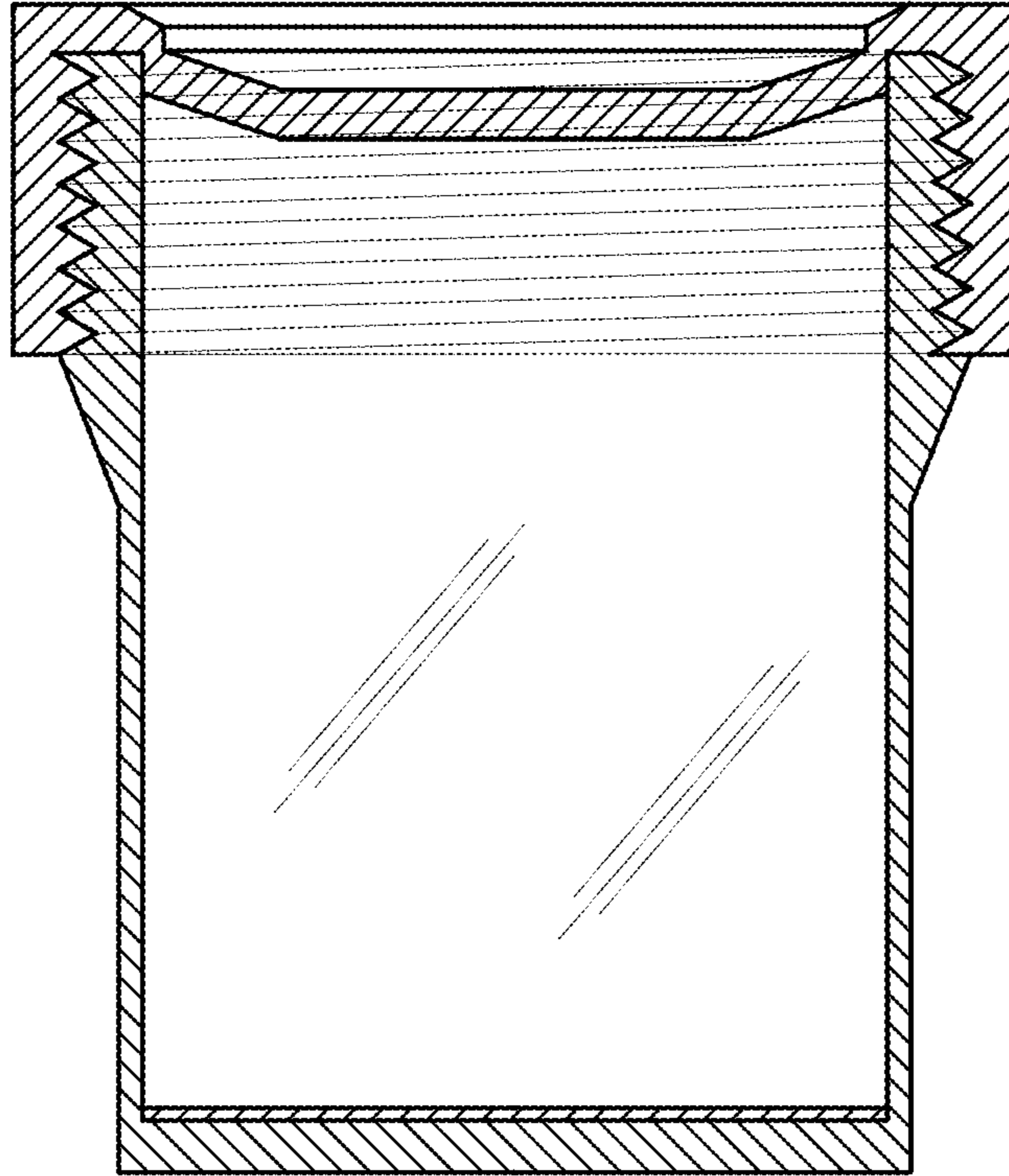


Fig. 11

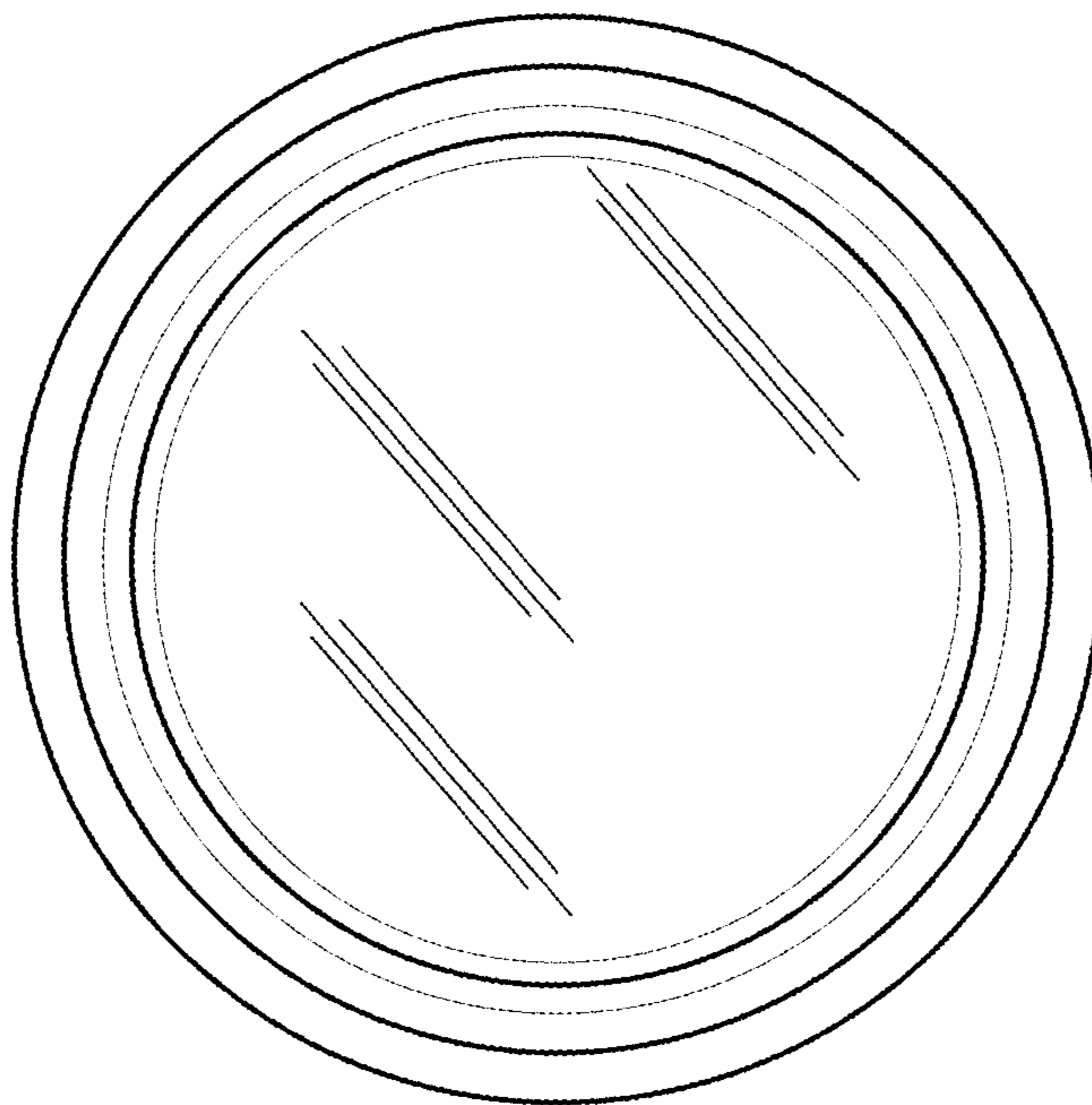


Fig. 12