



US00D949432S

(12) **United States Design Patent** (10) **Patent No.:** **US D949,432 S**  
**Osmus et al.** (45) **Date of Patent:** **\*\* Apr. 19, 2022**

(54) **REAGENT CARTRIDGE**

(71) Applicant: **Illumina, Inc.**, San Diego, CA (US)

(72) Inventors: **James Osmus**, San Diego, CA (US);  
**Erik Allegoren**, San Diego, CA (US);  
**James Blake**, San Diego, CA (US);  
**Philip Paik**, San Diego, CA (US); **Jay Taylor**, San Diego, CA (US); **Jack Godfrey-Wood**, San Diego, CA (US)

(73) Assignee: **Illumina, Inc.**, San Diego, CA (US)

(\*\*) Term: **15 Years**

(21) Appl. No.: **29/714,653**

(22) Filed: **Nov. 25, 2019**

(51) **LOC (13) Cl.** ..... **24-01**

(52) **U.S. Cl.**  
USPC ..... **D24/216**

(58) **Field of Classification Search**  
USPC ..... D24/107, 186, 216, 219, 220, 221,  
D24/223–227, 231, 232; D10/81  
(Continued)

(56) **References Cited**

**U.S. PATENT DOCUMENTS**

D333,630 S 3/1993 Marks  
D351,913 S 10/1994 Hieb et al.  
(Continued)

**FOREIGN PATENT DOCUMENTS**

CN 304787602 S 8/2018  
JP D1628115 S 4/2019

**OTHER PUBLICATIONS**

Osmus et al., "Reagent Cartridge", U.S. Appl. No. 29/714,705, filed Nov. 25, 2019.

(Continued)

*Primary Examiner* — Anhdao Doan

(74) *Attorney, Agent, or Firm* — Heslin Rothenberg Farley & Mesiti, P.C.

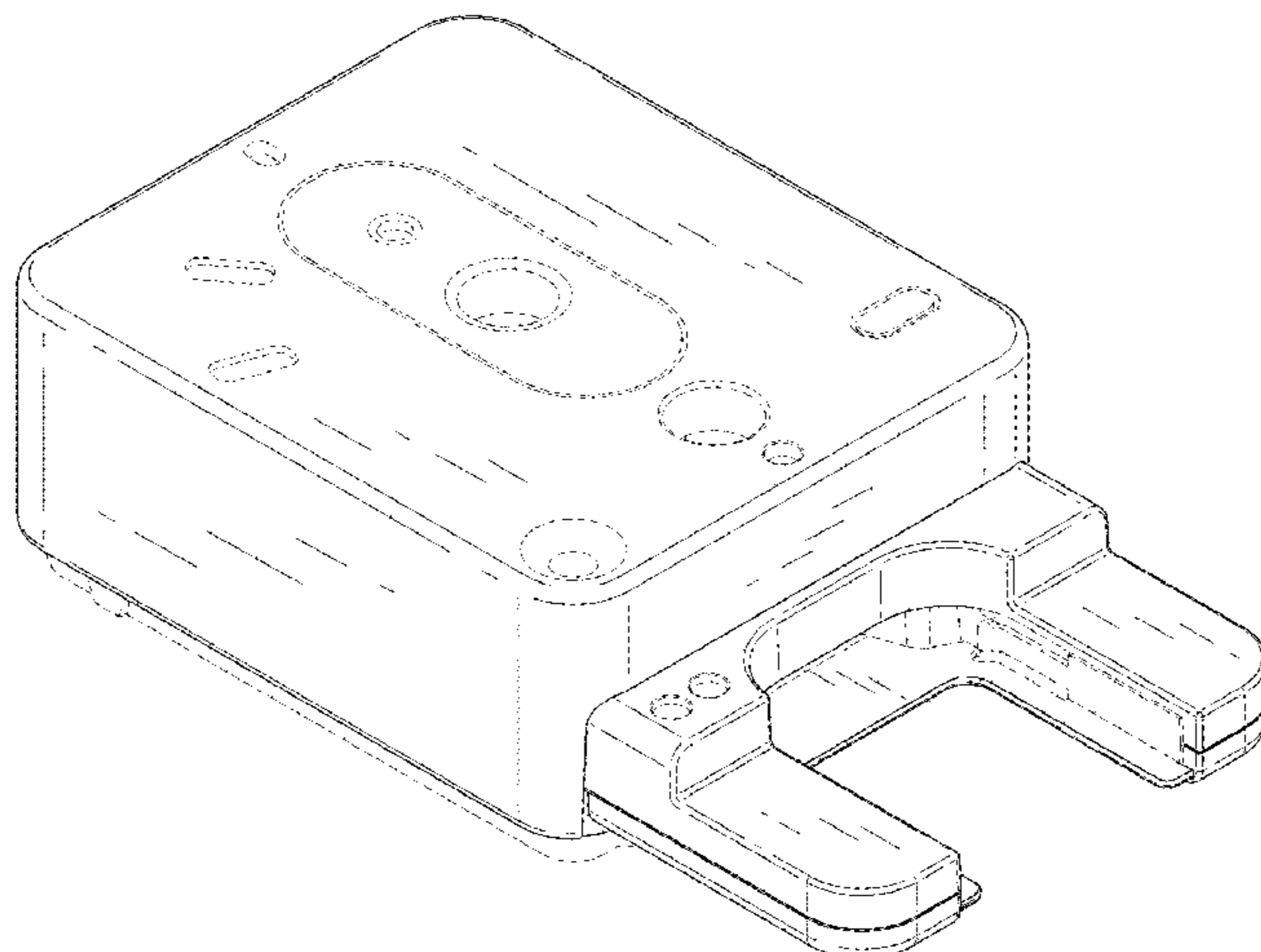
(57) **CLAIM**

We claim the ornamental design for a reagent cartridge, as shown and described.

**DESCRIPTION**

FIG. 1 is a top right perspective view of the reagent cartridge comprising our new design;  
FIG. 2 is a top left perspective view of the design in FIG. 1;  
FIG. 3 is a top plan view of the design in FIG. 1;  
FIG. 4 is a bottom plan of the design of FIG. 1;  
FIG. 5 is a left side elevational view of the design of FIG. 1;  
FIG. 6 is a right side elevational view of the design of FIG. 1;  
FIG. 7 is a rear elevational view of the design of FIG. 1;  
FIG. 8 is an enlarged front elevational view of the design of FIG. 1;  
FIG. 9 is a top right perspective view of an alternate embodiment of the design shown in FIG. 1;  
FIG. 10 is a top left perspective view of the design of FIG. 9;  
FIG. 11 is a top plan view of the design of FIG. 9;  
FIG. 12 is a bottom plan view of the design of FIG. 9;  
FIG. 13 is a left side elevational view of the design of FIG. 9;  
FIG. 14 is a right side elevational view of the design of FIG. 9;  
FIG. 15 is a rear elevational view of the design of FIG. 9;  
FIG. 16 is an enlarged front elevational view of the design of FIG. 9;  
FIG. 17 is a top right perspective view of an alternate embodiment of the design shown in FIG. 1;  
FIG. 18 is a top left perspective view of the design of FIG. 17; and,  
FIG. 19 is a top plan view of the design of FIG. 17.  
The bottom plan, left and right side, rear and front elevational views of the design shown in FIG. 17 are identical to FIGS.

(Continued)



**12-16.** The broken lines shown in the drawings illustrate portions of the reagent cartridge that form no part of the claimed design.

**1 Claim, 17 Drawing Sheets**

**(58) Field of Classification Search**

CPC ..... B01L 3/5027; B01L 3/50273; B01L 3/502738; B01L 2300/0609; B01L 2300/0672; B01L 2300/0829; B01L 2200/025; B01L 2200/026; B01L 2200/028; B01L 2200/16; G01N 21/01; G01N 21/75

See application file for complete search history.

**(56)**

**References Cited**

U.S. PATENT DOCUMENTS

D639,975 S	6/2011	Doyle et al.	
D729,403 S	5/2015	Hage et al.	
D745,698 S	12/2015	Hage et al.	
D750,272 S	2/2016	Hage et al.	
D752,770 S	3/2016	Kuhn et al.	
D766,457 S *	9/2016	Cia .....	D24/232
D768,870 S	10/2016	Kuhn et al.	
D785,811 S	5/2017	Watts et al.	
D794,817 S	8/2017	Yi et al.	
D794,818 S	8/2017	Yi et al.	
D794,819 S	8/2017	Yi et al.	
D800,336 S	10/2017	Chang et al.	
D800,912 S	10/2017	Uzri et al.	
D812,767 S	3/2018	Osmus et al.	
D819,829 S	6/2018	Osmus et al.	
D825,078 S	8/2018	Osmus et al.	
D840,050 S	2/2019	Schulz et al.	
D843,009 S	3/2019	Watts et al.	

D847,368 S *	4/2019	Edwards .....	D24/223
D851,275 S	6/2019	Spuhler et al.	
10,343,160 B2	7/2019	Lemoine et al.	
D861,914 S	10/2019	Blake et al.	
D864,411 S	10/2019	Dangelo et al.	
D864,412 S	10/2019	Dangelo et al.	
D865,213 S	10/2019	Dangelo et al.	
D865,214 S	10/2019	Dangelo et al.	
D865,215 S	10/2019	Dangelo et al.	
D875,271 S	2/2020	Ringold et al.	
D877,356 S	3/2020	Clive-Smith et al.	
D895,146 S *	9/2020	Osmus .....	D24/232
D913,518 S *	3/2021	Osmus .....	D24/216
2017/0016060 A1	1/2017	Sabounchi et al.	
2017/0209865 A1	7/2017	Carrano et al.	
2018/0117587 A1	5/2018	Lemoine et al.	
2020/0110108 A1	4/2020	Cox-Muranami et al.	
2020/0171502 A1 *	6/2020	Kumar .....	B01L 3/527
2021/0170406 A1 *	6/2021	Wang .....	G01N 35/04

OTHER PUBLICATIONS

Taylor et al., "Flow Cell Cartridge", U.S. Appl. No. 29/714,660, filed Nov. 25, 2019.

Taylor et al., "Flow Cell Cartridge", U.S. Appl. No. 29/714,671, filed Nov. 25, 2019.

Taylor et al., "Flow Cell", U.S. Appl. No. 29/714,672, filed Nov. 25, 2019.

Osmus et al., "Sequencing Cartridge Assembly", U.S. Appl. No. 29/714,661, filed Nov. 25, 2019.

Taylor et al., "Cartridge Cover", U.S. Appl. No. 29/714,669, filed Nov. 25, 2019.

Osmus et al., "Reagent Cartridge", U.S. Appl. No. 29/714,656, filed Nov. 25, 2019.

Osmus et al., "Reagent Cartridge", U.S. Appl. No. 29/714,706, filed Nov. 25, 2019.

Taylor et al., "Flow Cell Cartridge", U.S. Appl. No. 29/714,665, filed Nov. 25, 2019.

\* cited by examiner

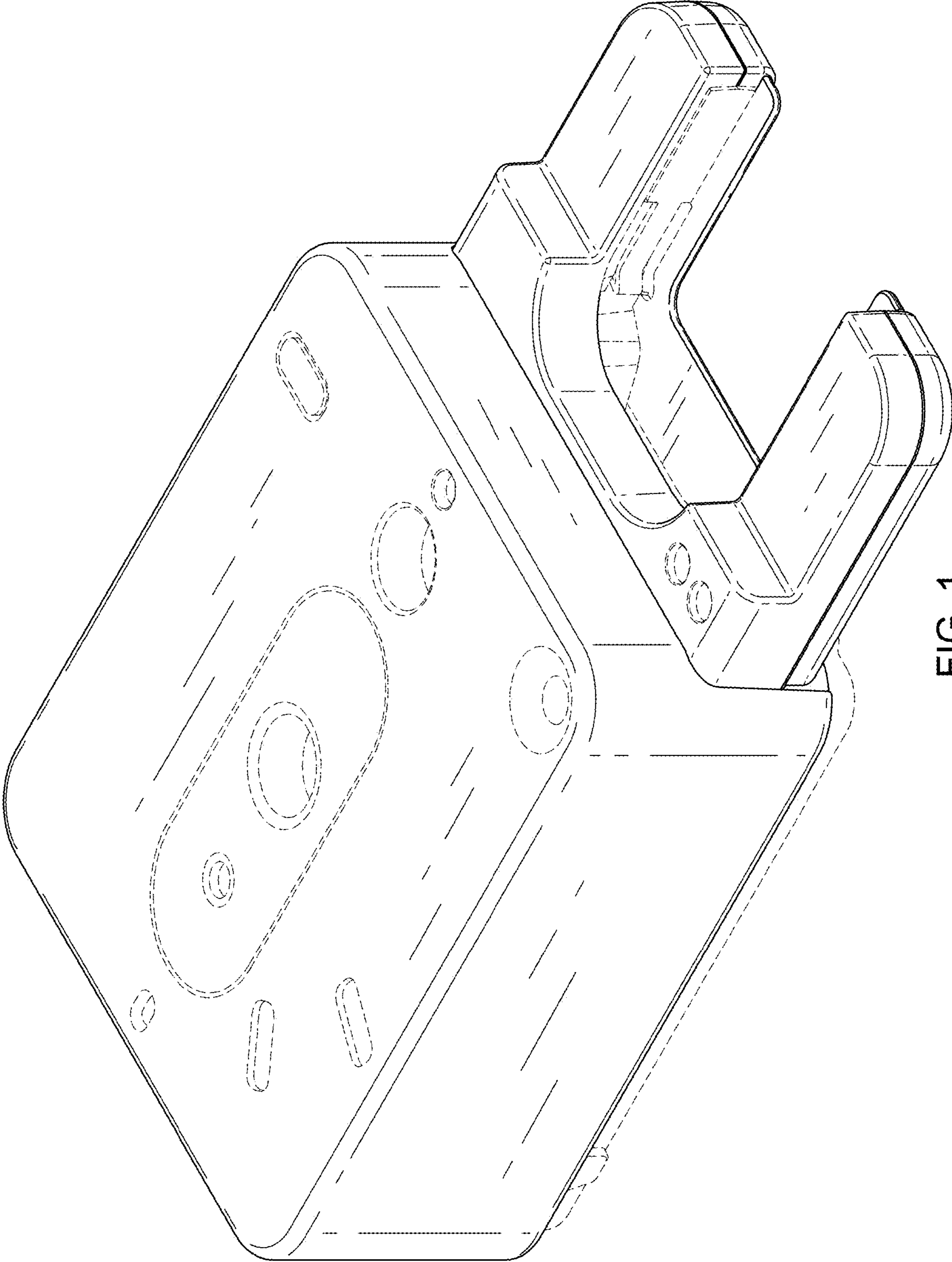


FIG. 1

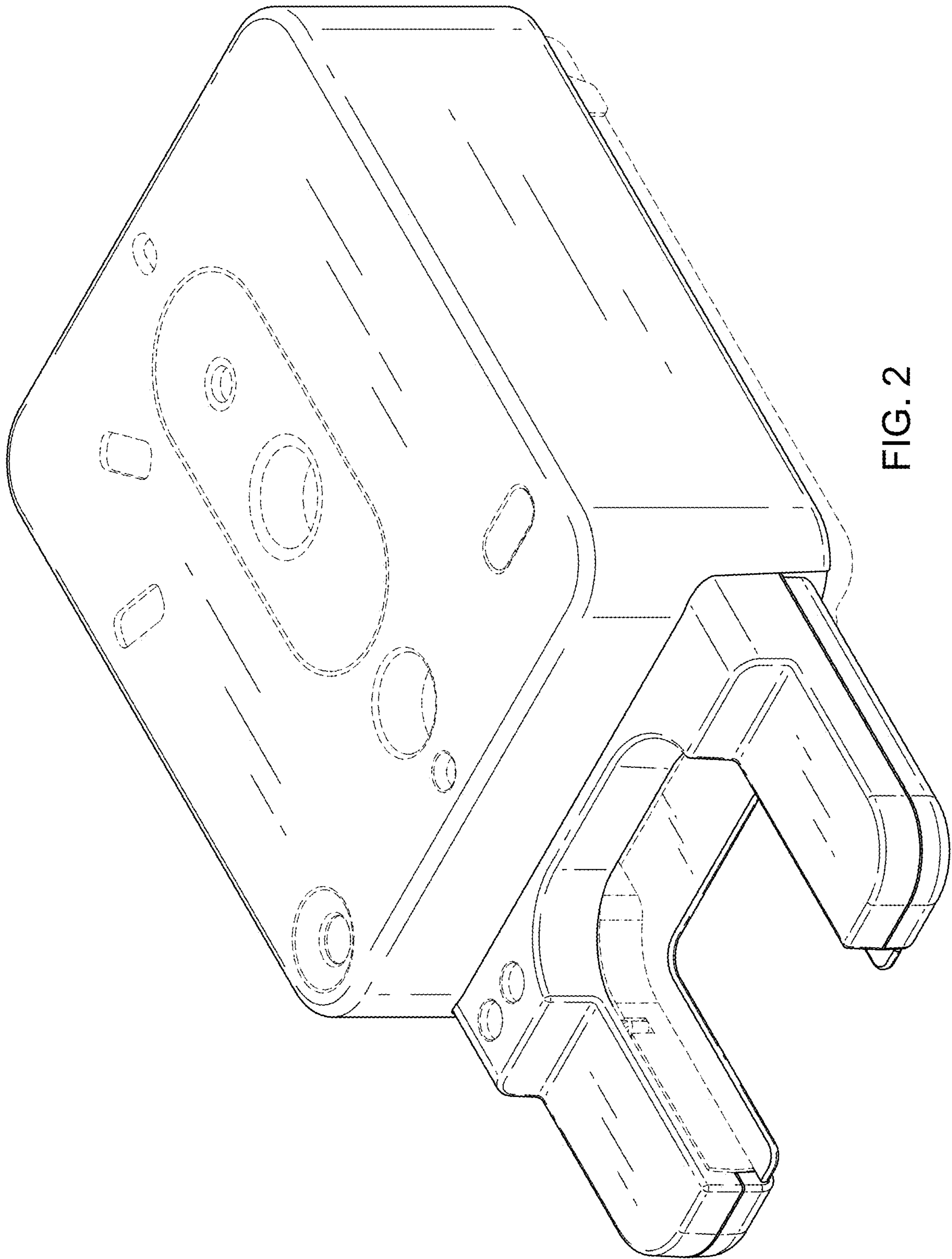


FIG. 2

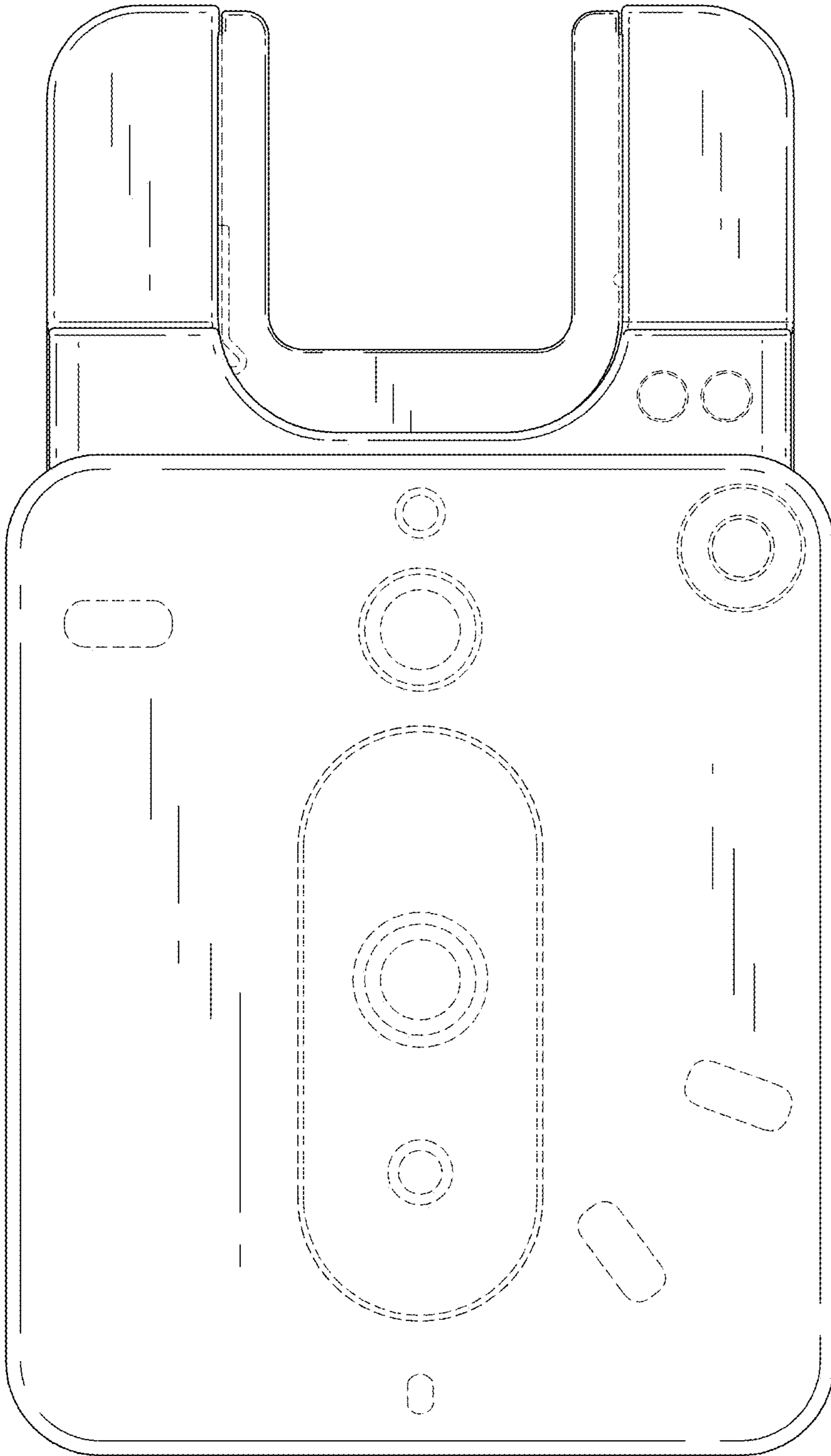


FIG. 3

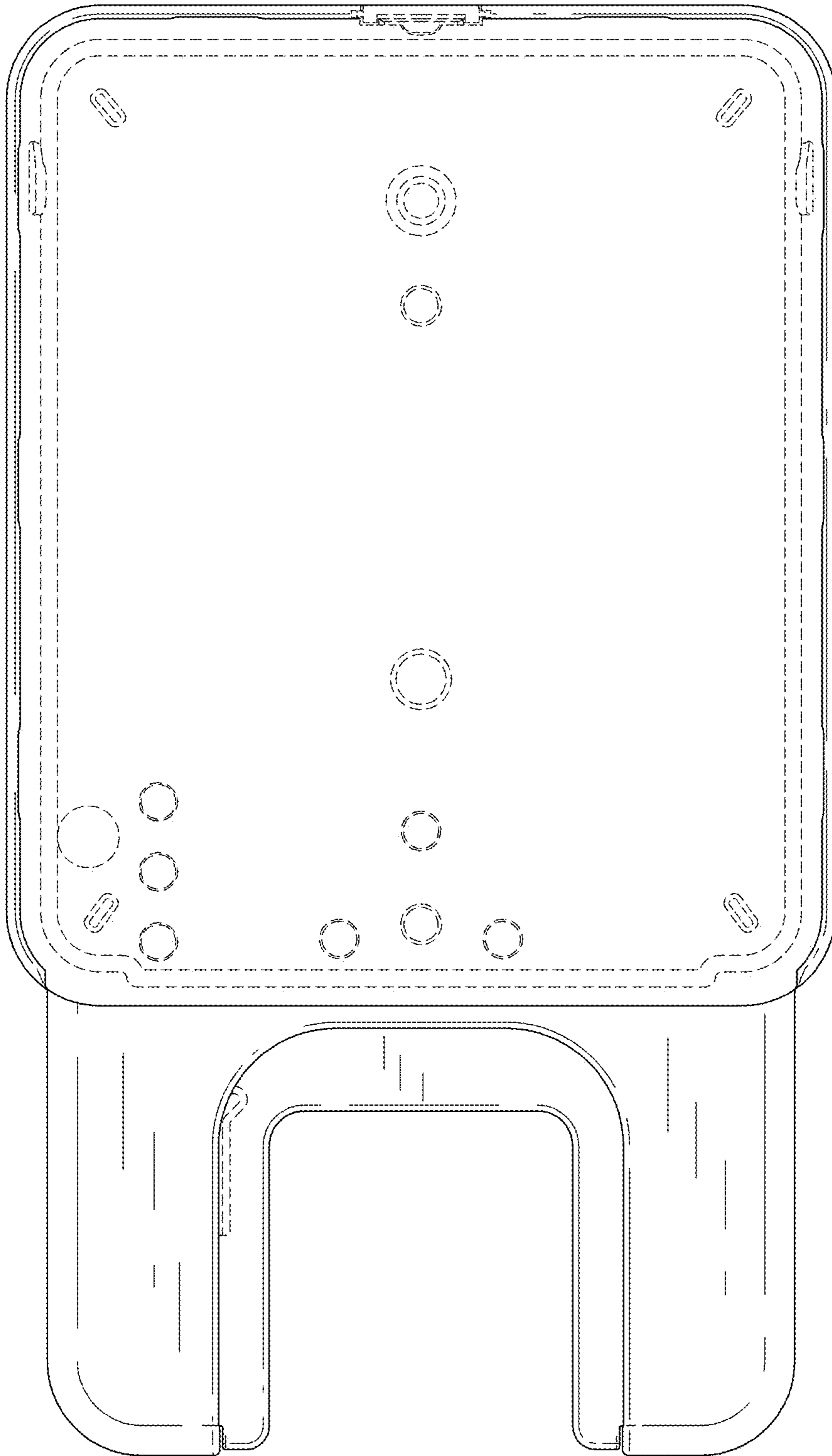


FIG. 4

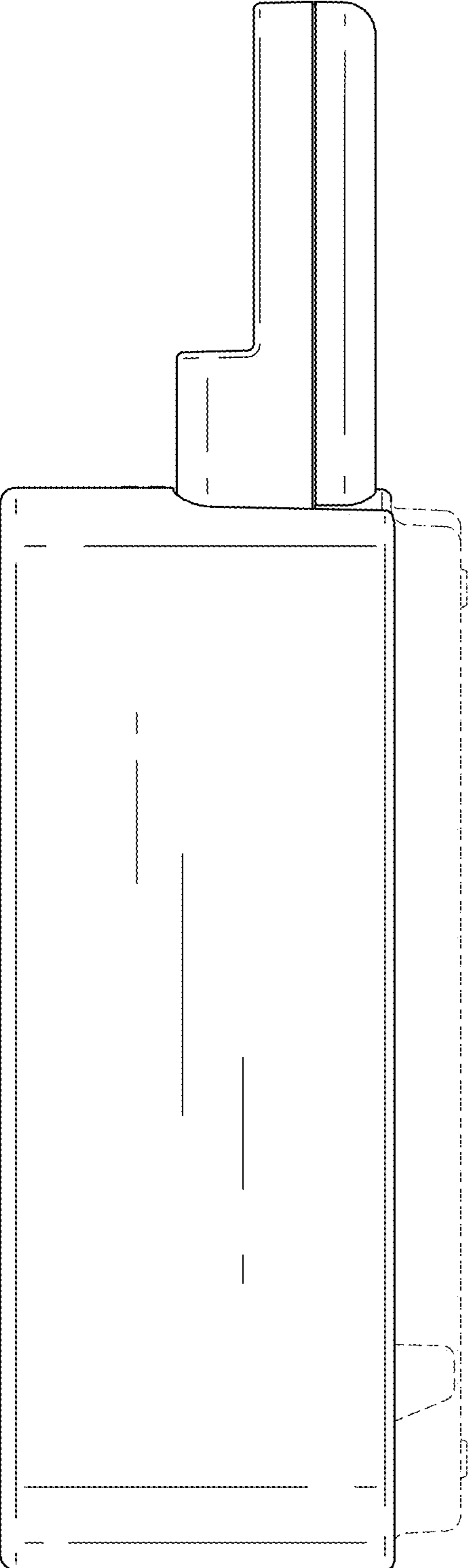


FIG. 5

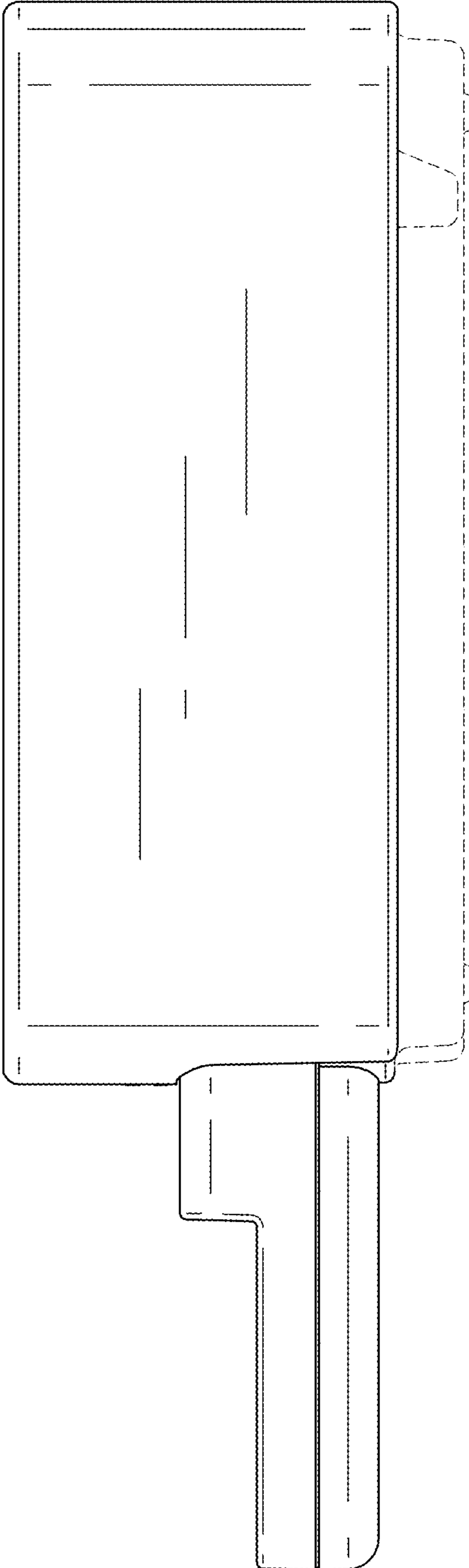


FIG. 6

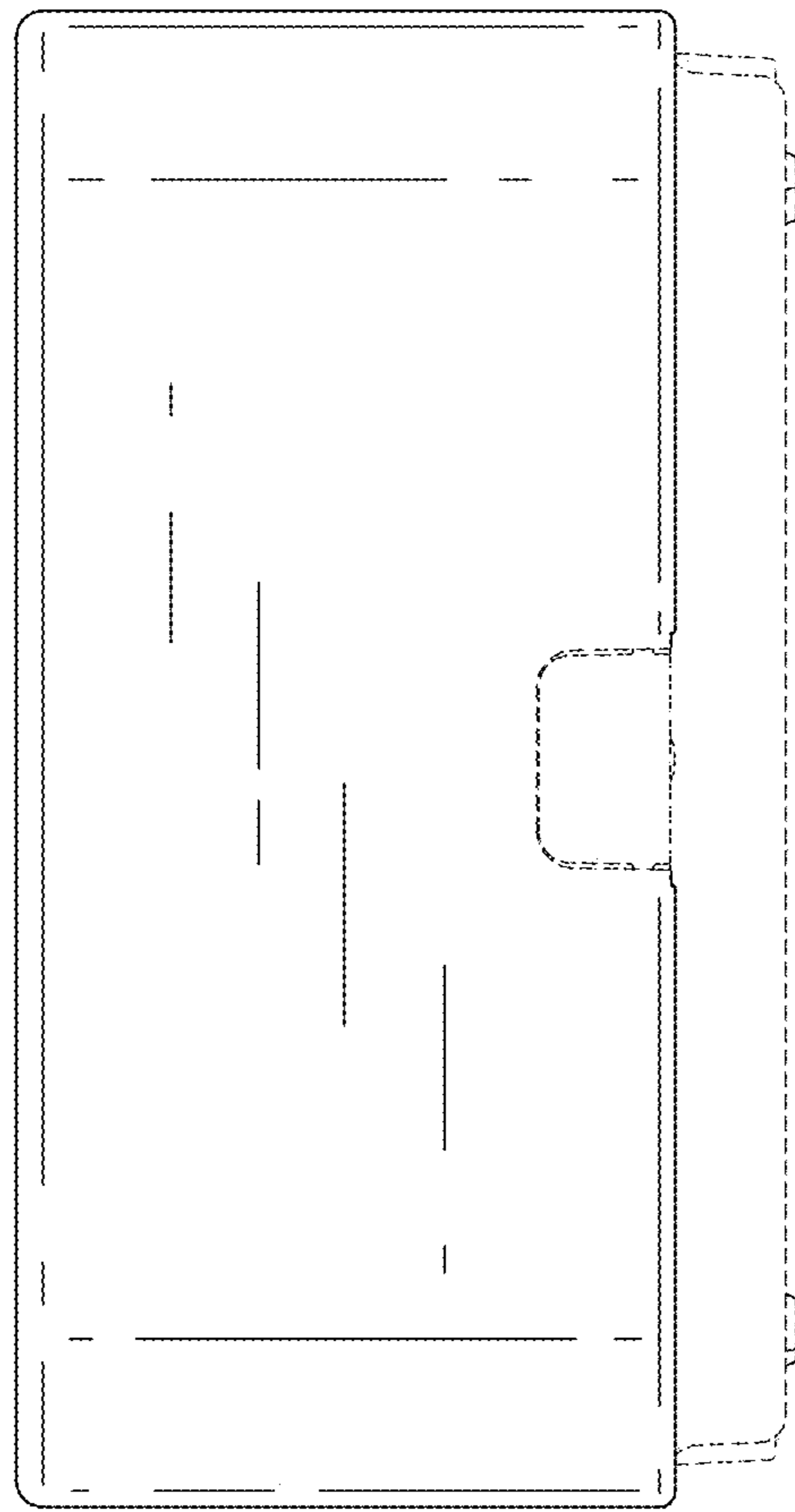


FIG. 7



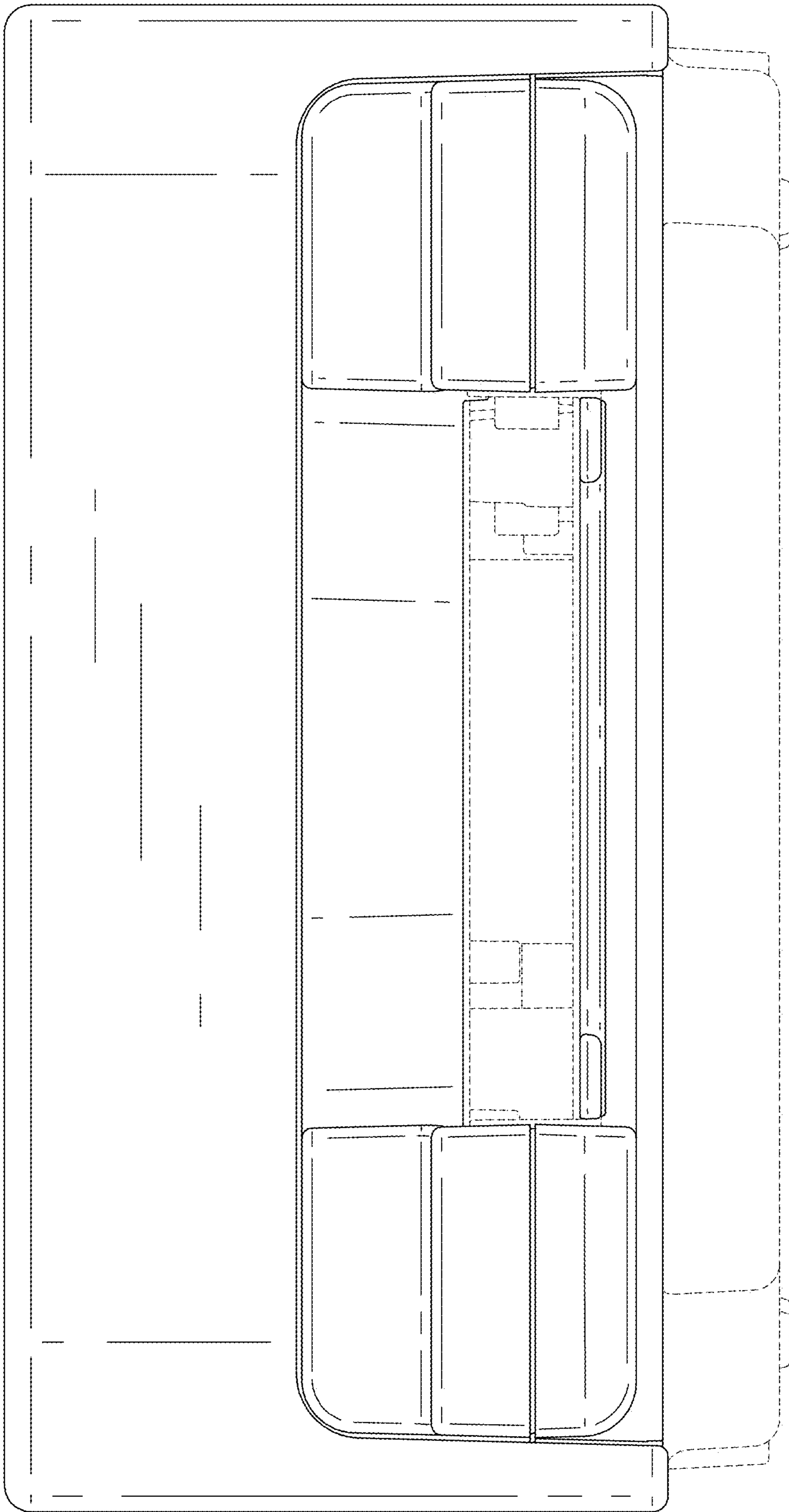


FIG. 8

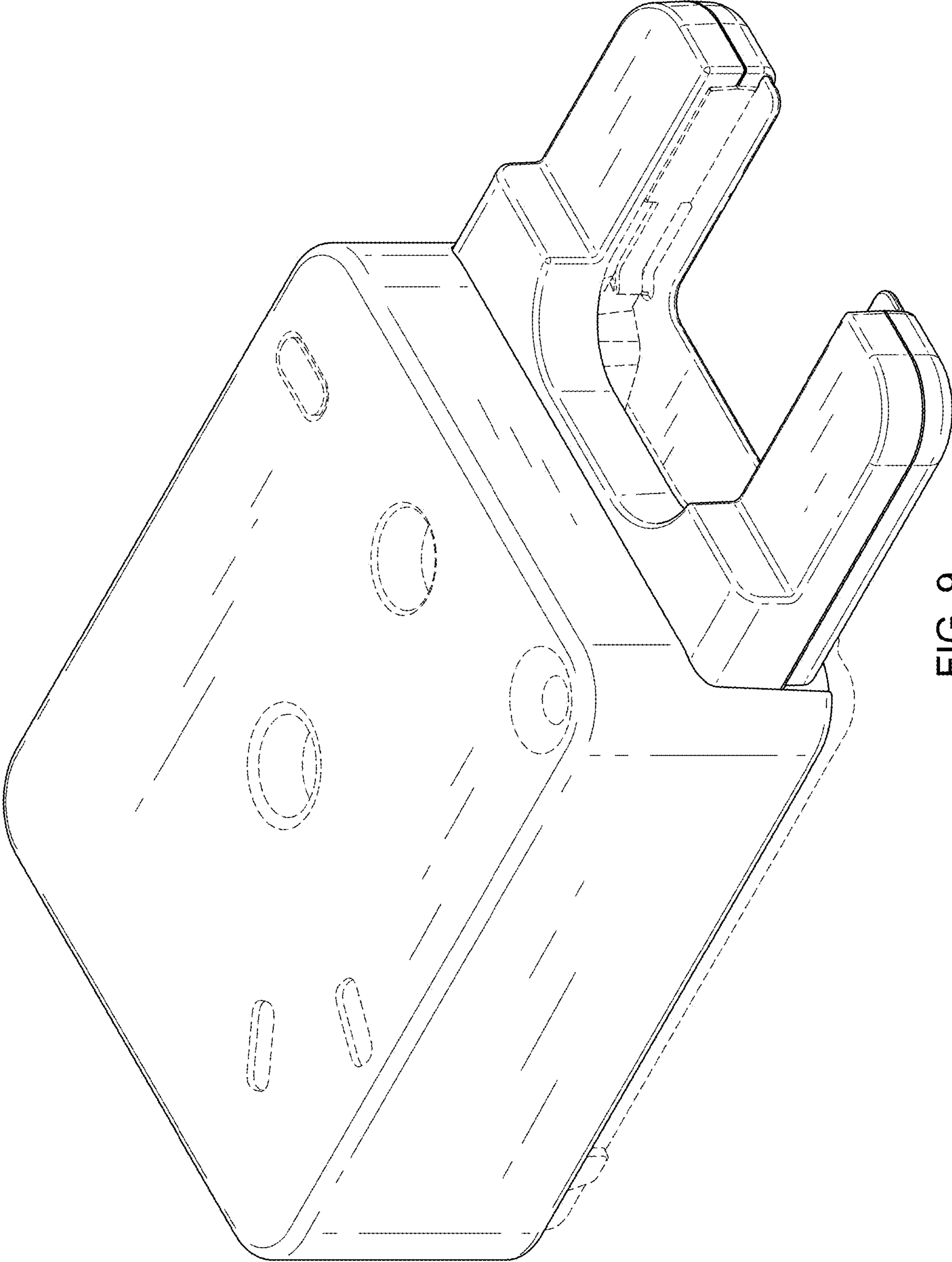


FIG. 9

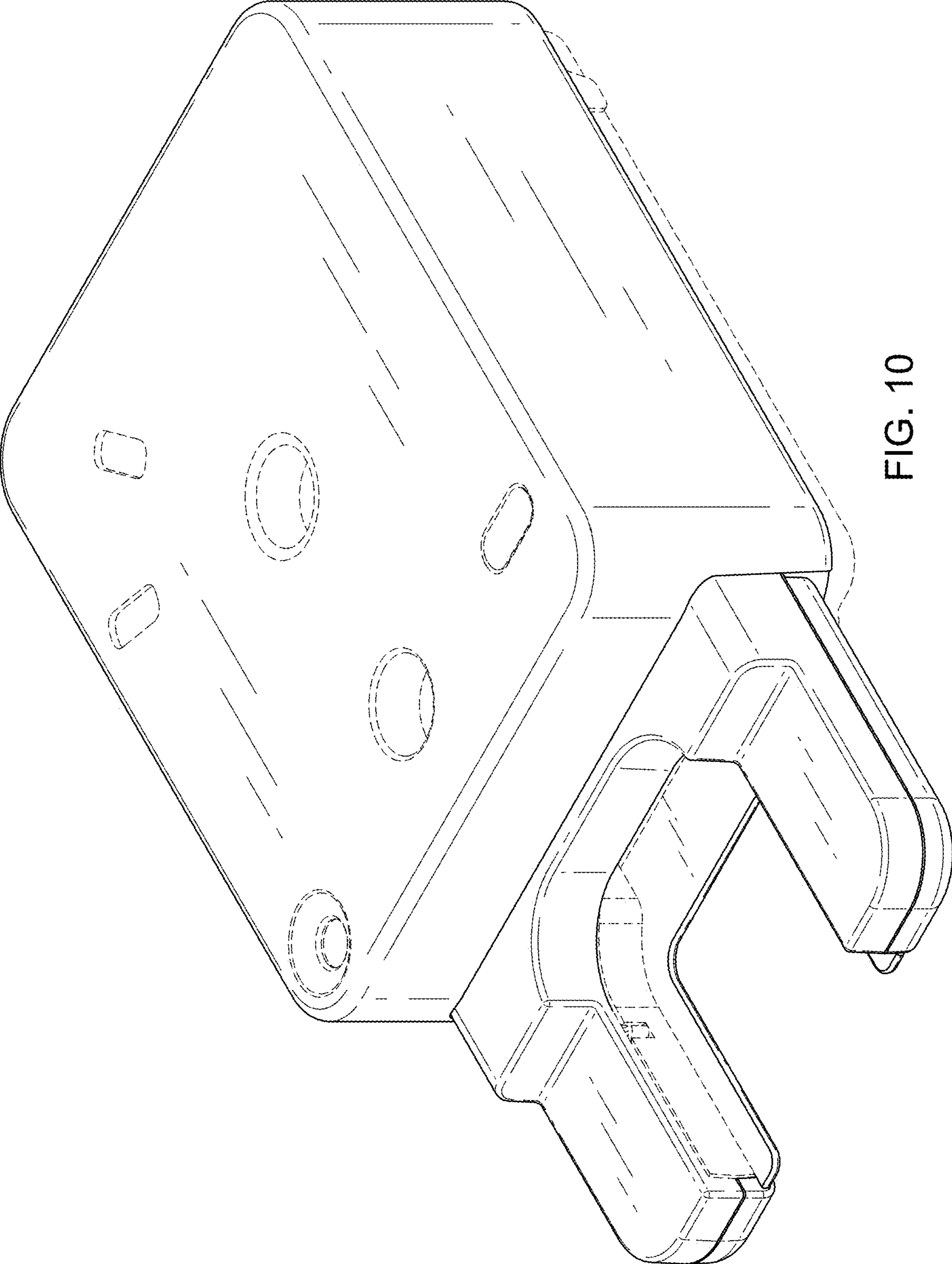


FIG. 10

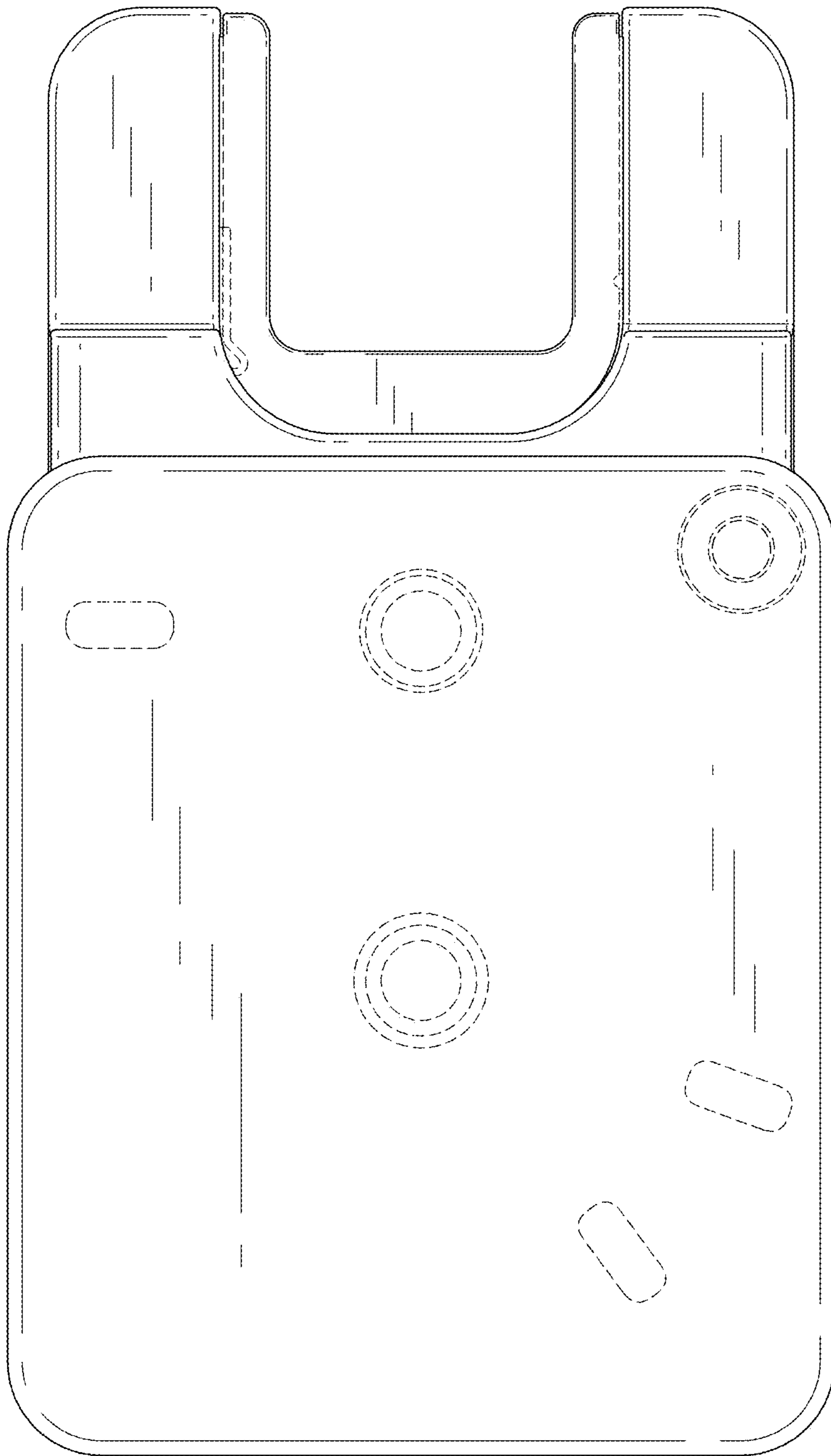


FIG. 11

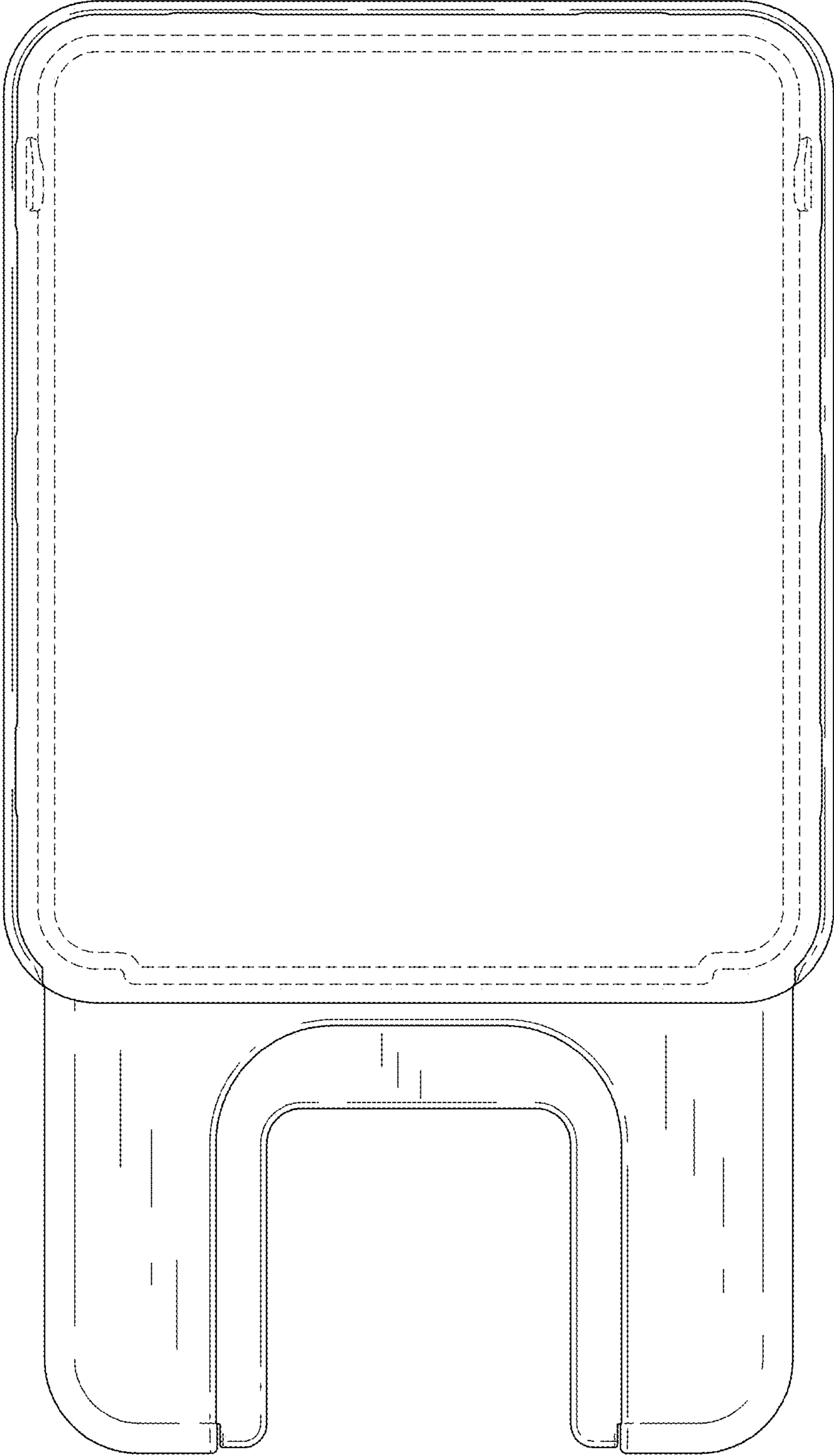


FIG. 12

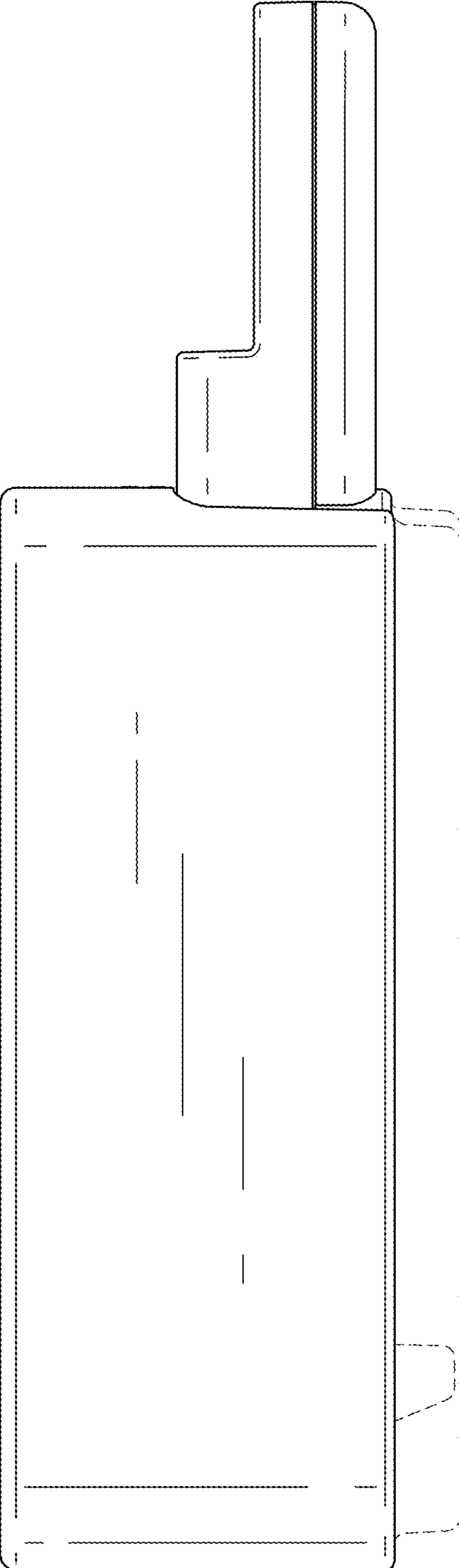


FIG. 13

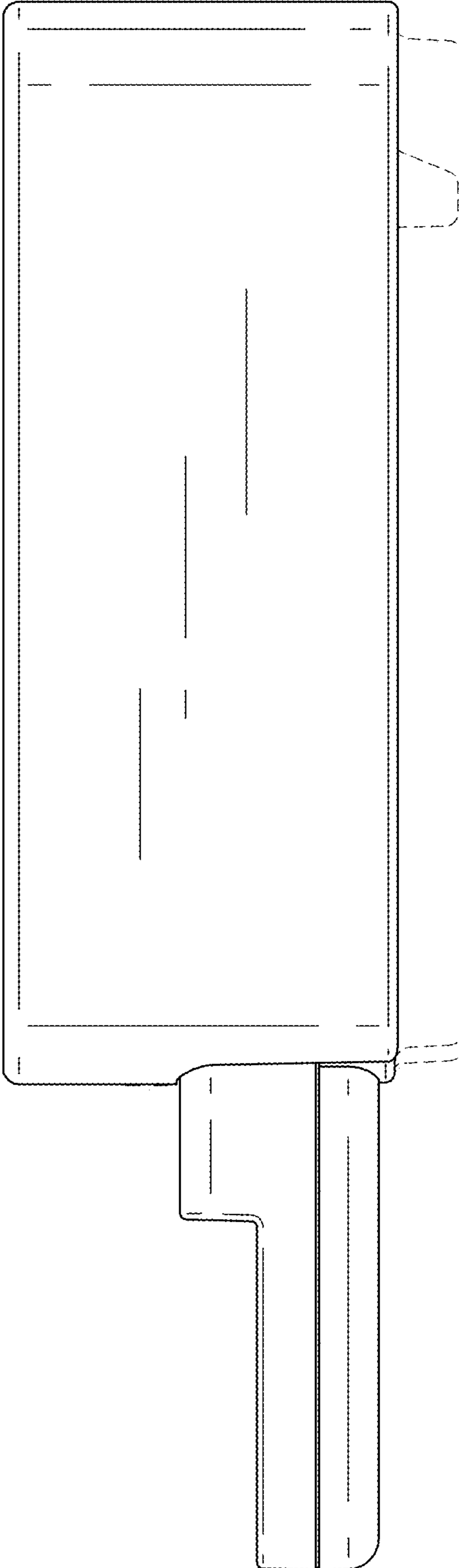


FIG. 14

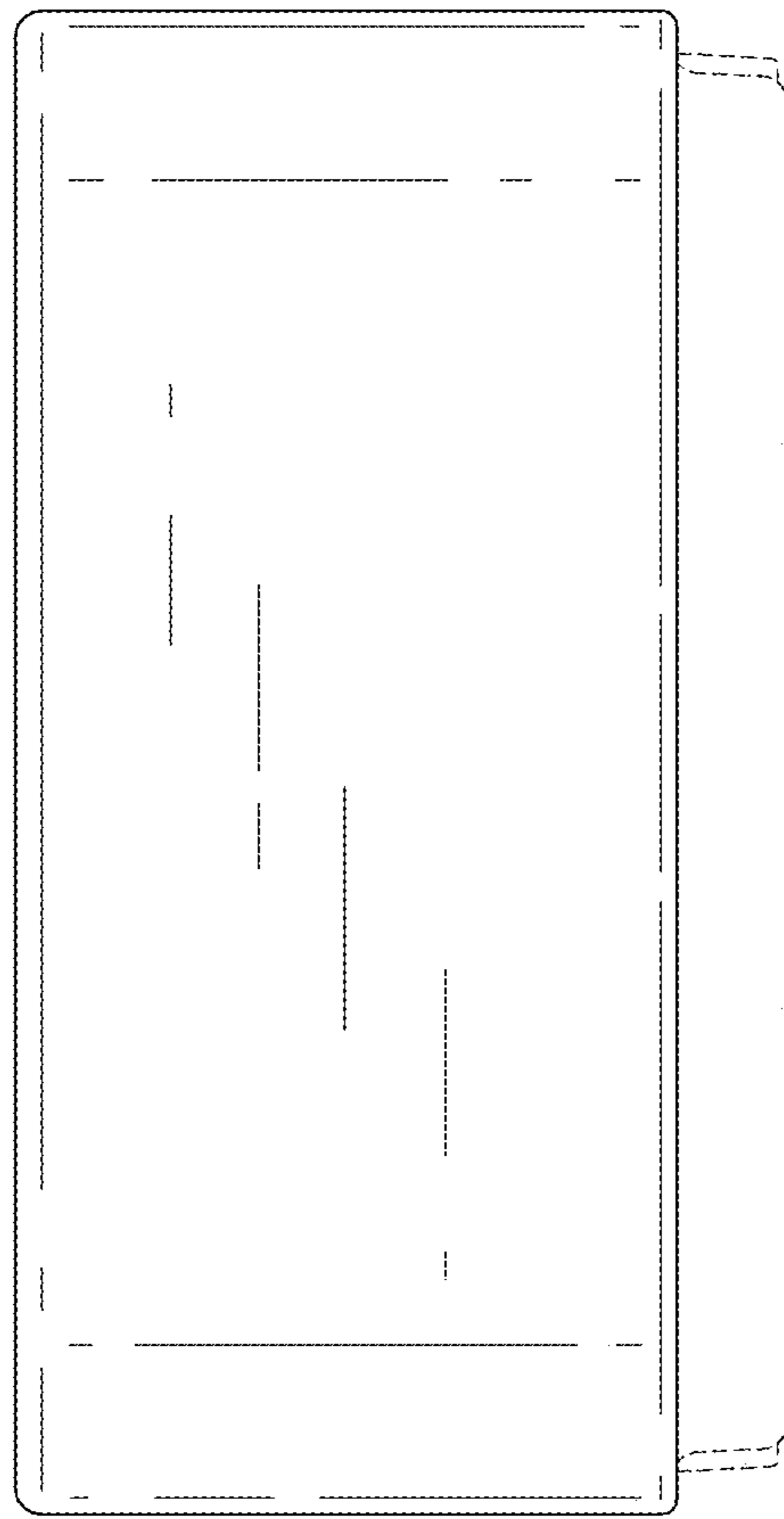


FIG. 15

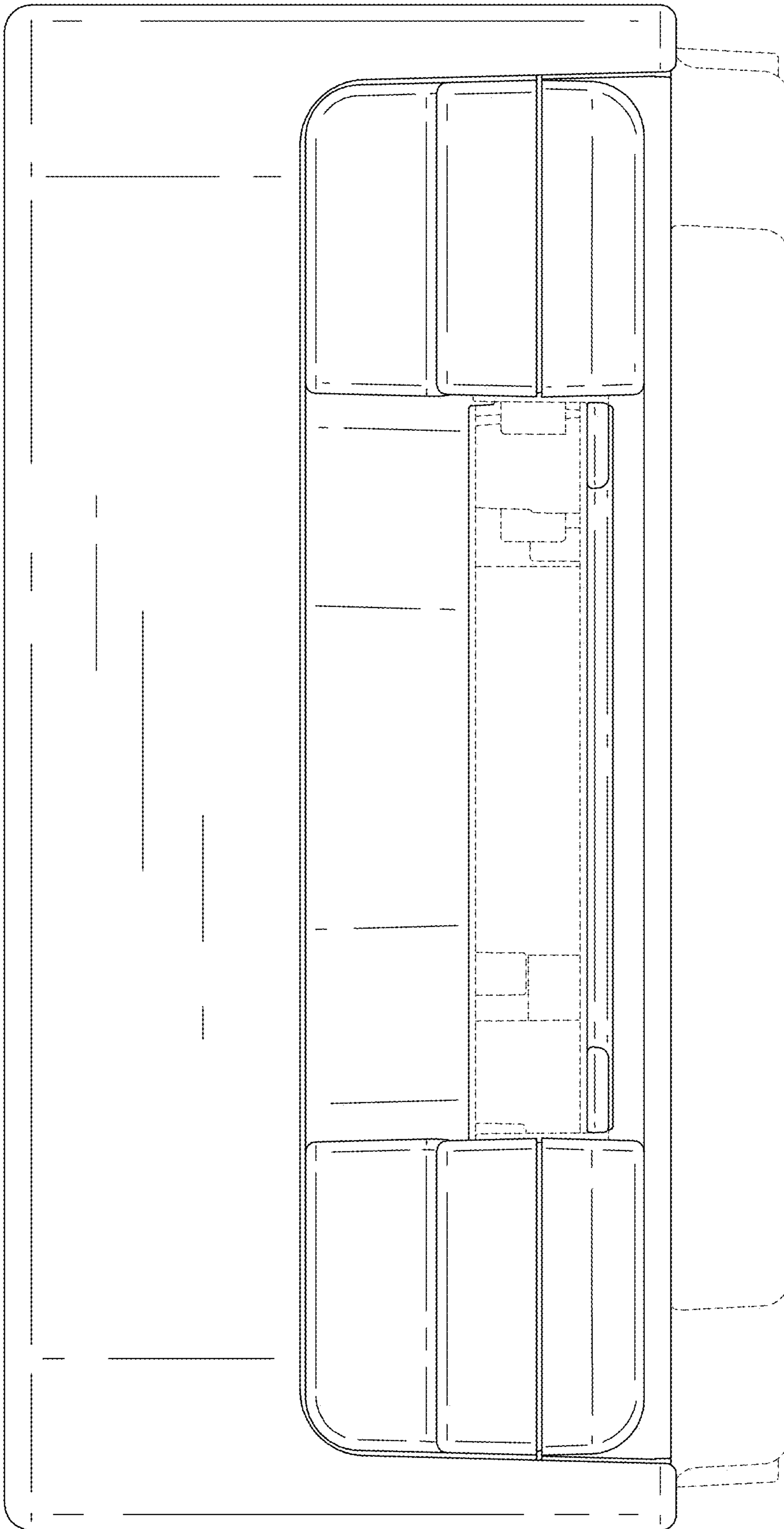


FIG. 16



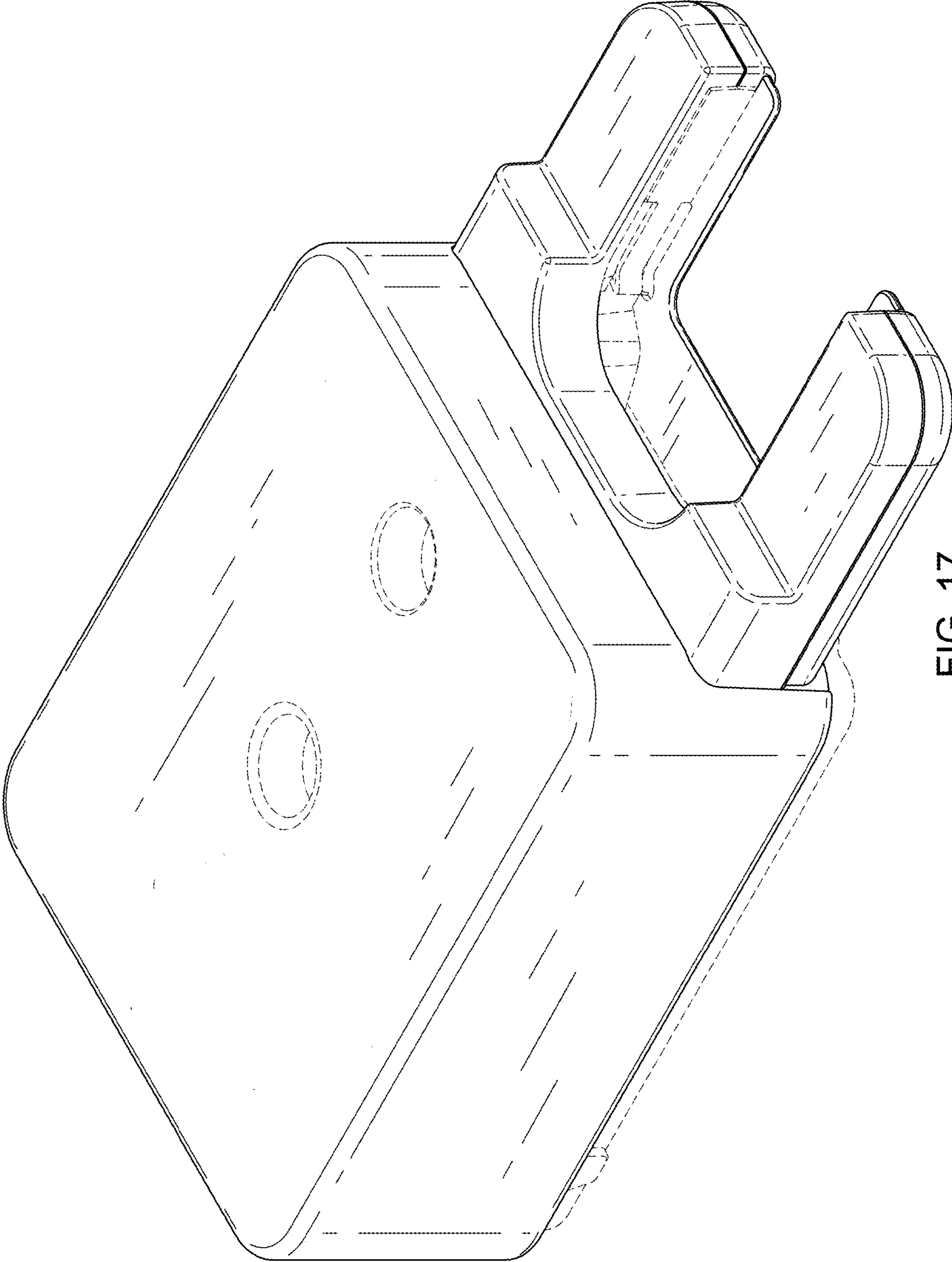


FIG. 17

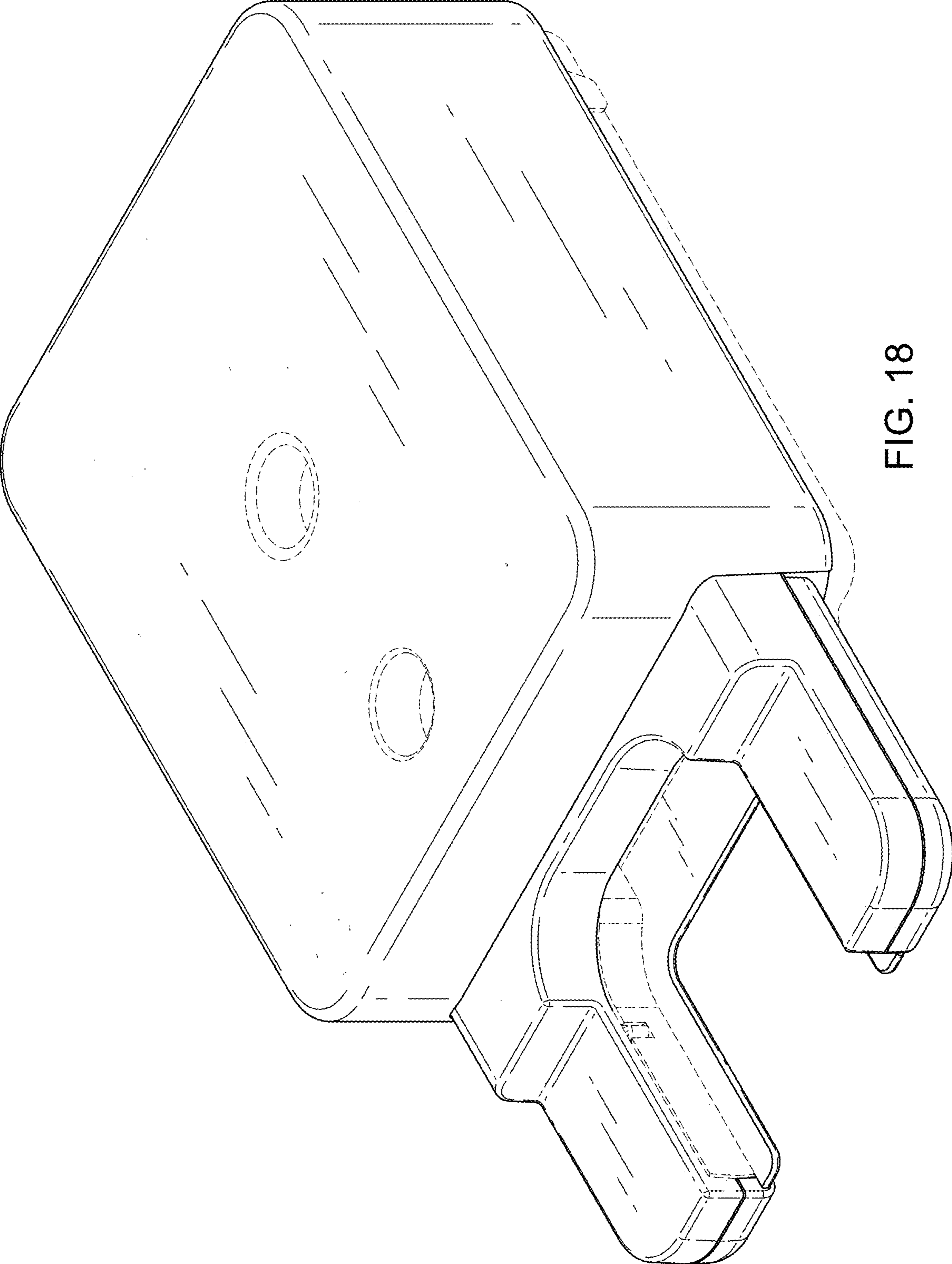


FIG. 18

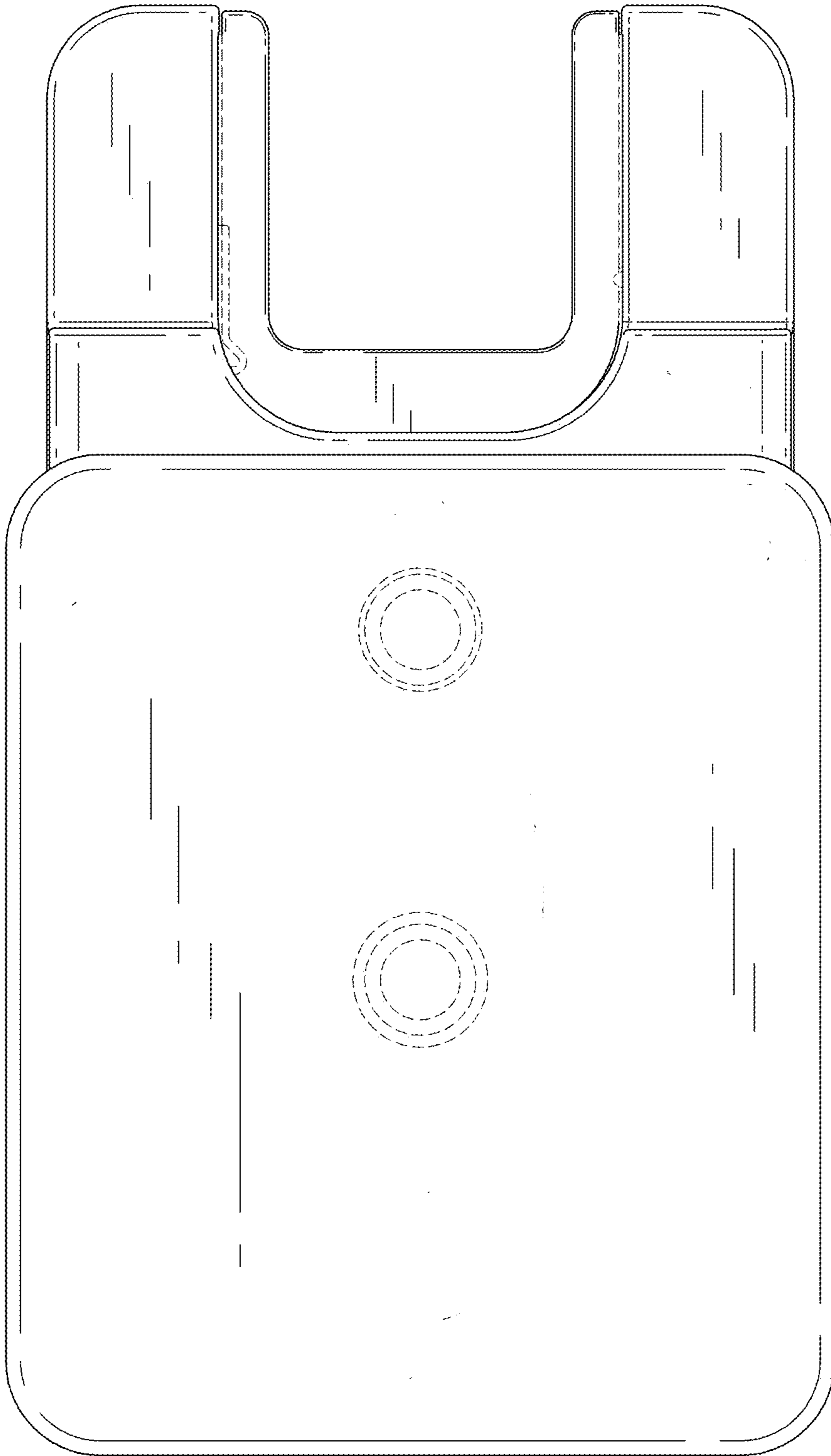


FIG. 19

UNITED STATES PATENT AND TRADEMARK OFFICE  
**CERTIFICATE OF CORRECTION**

PATENT NO. : D949,432 S  
APPLICATION NO. : 29/714653  
DATED : April 19, 2022  
INVENTOR(S) : Osmus et al.

Page 1 of 1

It is certified that error appears in the above-identified patent and that said Letters Patent is hereby corrected as shown below:

On the Title Page

In the Inventors (72): Delete "Godfrey-Wood" and insert -- Godfrey Wood --

In the Description (57), Line 31: Delete "and ride side" and insert -- and right side --

Signed and Sealed this  
Seventh Day of June, 2022



Katherine Kelly Vidal  
*Director of the United States Patent and Trademark Office*