



US00D949427S

(12) **United States Design Patent**
Ying

(10) **Patent No.:** **US D949,427 S**

(45) **Date of Patent:** **** Apr. 19, 2022**

(54) **MESSAGE GUN**

(71) Applicant: **Yongkang Aijiu Industry and Trade Co., Ltd.**, Jinhua (CN)

(72) Inventor: **Min Ying**, Jinhua (HK)

(**) Term: **15 Years**

(21) Appl. No.: **29/776,153**

(22) Filed: **Mar. 29, 2021**

(51) **LOC (13) Cl.** **28-03**

(52) **U.S. Cl.**
USPC **D24/215**

(58) **Field of Classification Search**
USPC D24/200, 209, 211, 212, 213, 214, 215;
D8/14.1; D28/13, 44.1
CPC . A61H 2201/1635; A61H 23/006; A61H 1/00
See application file for complete search history.

(56) **References Cited**

U.S. PATENT DOCUMENTS

D616,558 S *	5/2010	Tsai	D24/200
D808,076 S *	1/2018	Gabriele	D28/44.1
D844,896 S *	4/2019	Levi	D28/44.1
D847,362 S *	4/2019	Tang	D24/215
10,314,762 B1 *	6/2019	Marton	A61H 23/006
D855,822 S *	8/2019	Marton	D24/215
D863,571 S *	10/2019	Yang	D24/200
D873,432 S *	1/2020	Duan	D24/214
D874,015 S *	1/2020	Marton	D24/215
D875,961 S *	2/2020	Li	D24/211
D884,207 S *	5/2020	Ma	D24/215
D886,317 S *	6/2020	Marton	D24/215
D895,831 S *	9/2020	Chen	D24/215
D898,933 S *	10/2020	Xu	D24/215
D899,620 S *	10/2020	Huang	D24/215
D900,329 S *	10/2020	Xu	D24/215
D905,863 S *	12/2020	Lin	D24/215
D907,229 S *	1/2021	Zhang	D24/215
D907,230 S *	1/2021	Zhang	D24/215
D910,194 S *	2/2021	Radtke	D24/215

D911,535 S *	2/2021	Yu	D24/200
D912,267 S *	3/2021	Tang	D24/215
D913,516 S *	3/2021	Zhang	D24/215
D913,517 S *	3/2021	Yu	D24/215
D914,966 S *	3/2021	Kim	D28/13
D916,307 S *	4/2021	Xiong	D24/215
D918,408 S *	5/2021	Huang	D24/215
10,993,874 B1 *	5/2021	Marton	A61H 23/02
D921,215 S *	6/2021	Xu	D24/215
D921,916 S *	6/2021	Xu	D24/215
D921,917 S *	6/2021	Xu	D24/215
D923,187 S *	6/2021	Ma	D24/211
D923,188 S *	6/2021	Xu	D24/211

(Continued)

OTHER PUBLICATIONS

Amazon, "Darkiron Massage Gun", Aug. 28, 2021. https://www.amazon.com/Massage-Double-Head-Percussion-Massager-Athletes/dp/B092PNWLM2/ref=cm_cr_arp_d_product_top?ie=UTF8. Shown on p. 1. (Year: 2021).*

Primary Examiner — Michael A Maharajh

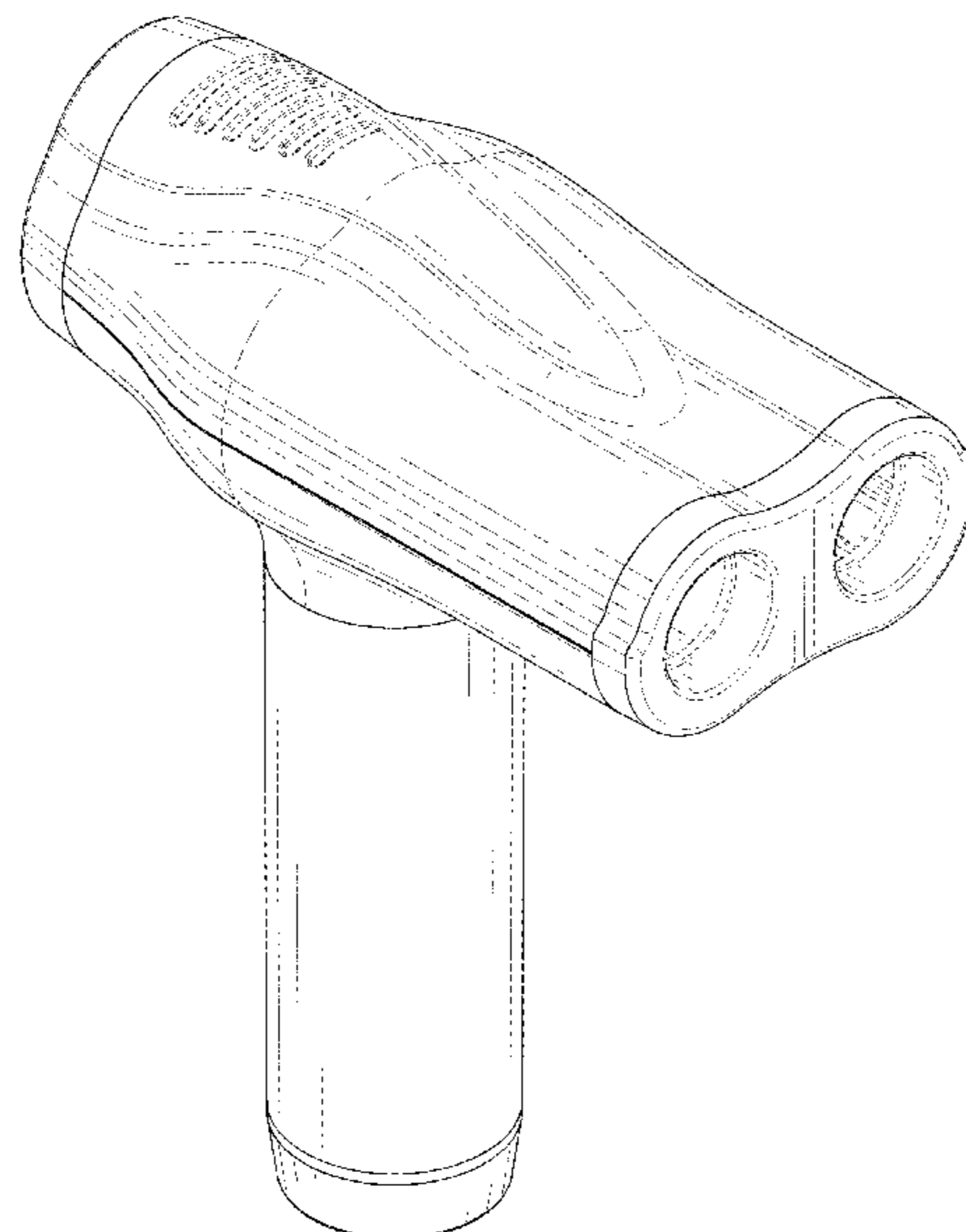
(57) **CLAIM**

The ornamental design for a massage gun, as shown and described.

DESCRIPTION

FIG. 1 is a front and top perspective view of a massage gun, showing my new design;
FIG. 2 is a rear and bottom perspective view thereof;
FIG. 3 is a front elevation view thereof;
FIG. 4 is a rear elevation view thereof;
FIG. 5 is a left side elevation view thereof;
FIG. 6 is a right side elevation view thereof;
FIG. 7 is a top plan view thereof; and,
FIG. 8 is a bottom plan view thereof.
The broken lines in the figures illustrate portions of the massage gun that form no part of the claimed design.

1 Claim, 8 Drawing Sheets



(56)

References Cited

U.S. PATENT DOCUMENTS

D923,194	S	*	6/2021	Xu	D24/215
D924,422	S	*	7/2021	Huang	D24/215
D925,751	S	*	7/2021	Wu	D24/211
D925,755	S	*	7/2021	Zheng	D24/215
D925,756	S	*	7/2021	Xu	D24/215
D925,758	S	*	7/2021	Xu	D24/215
D926,333	S	*	7/2021	Zhang	D24/215
D926,335	S	*	7/2021	Zhang	D24/215
D926,338	S	*	7/2021	Xu	D24/215
D934,441	S	*	10/2021	Zhang	D24/215
D934,442	S	*	10/2021	Xu	D24/215
2015/0282878	A1	*	10/2015	Kindermann	A61B 18/18 606/9
2016/0338899	A1	*	11/2016	Howson	A61H 7/001
2019/0254921	A1	*	8/2019	Marton	A61H 23/006
2020/0000678	A1	*	1/2020	Kao	A61H 1/00
2020/0390644	A1	*	12/2020	Yang	A61H 15/00
2021/0113427	A1	*	4/2021	Liu	A61H 23/0254

* cited by examiner

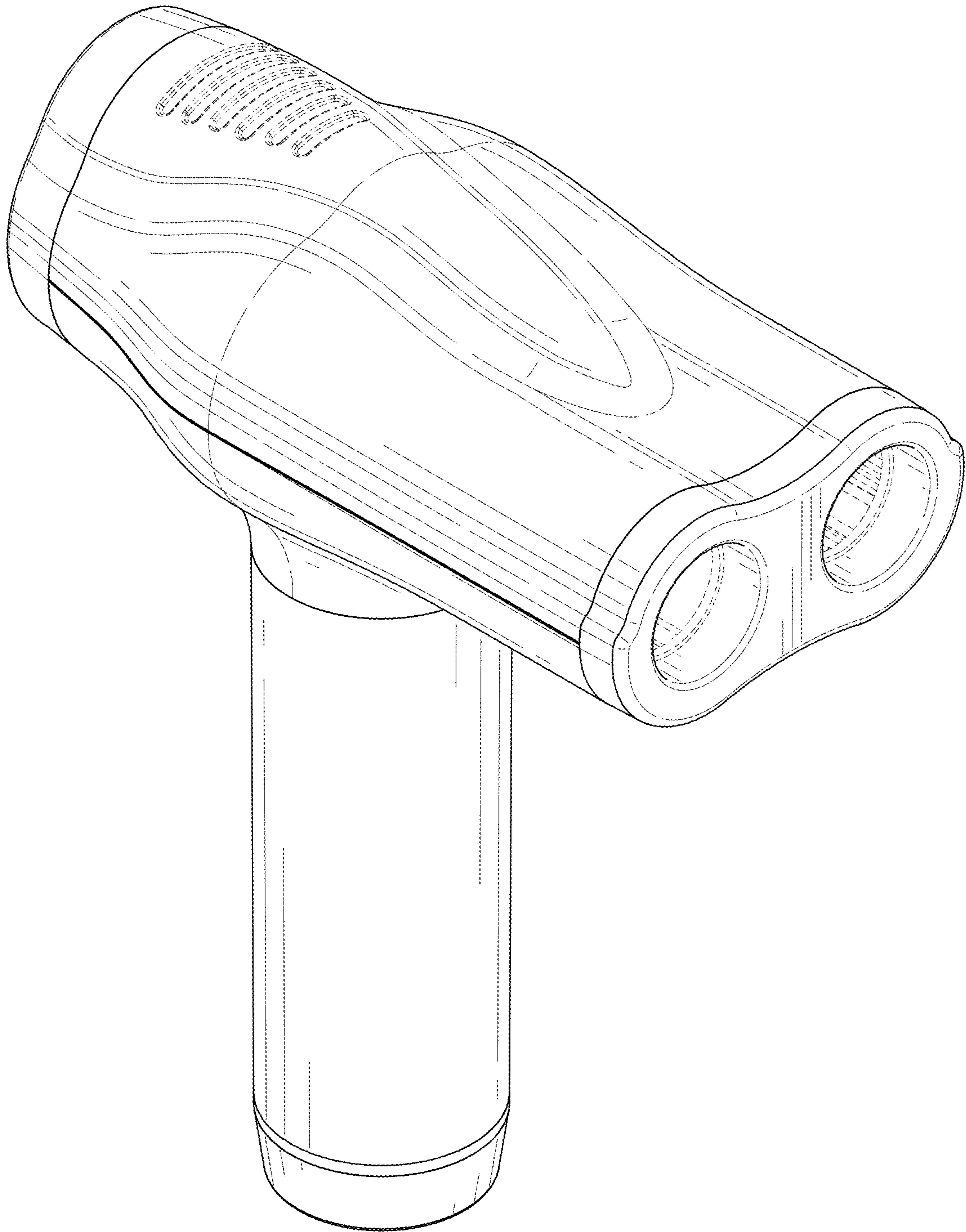


FIG. 1

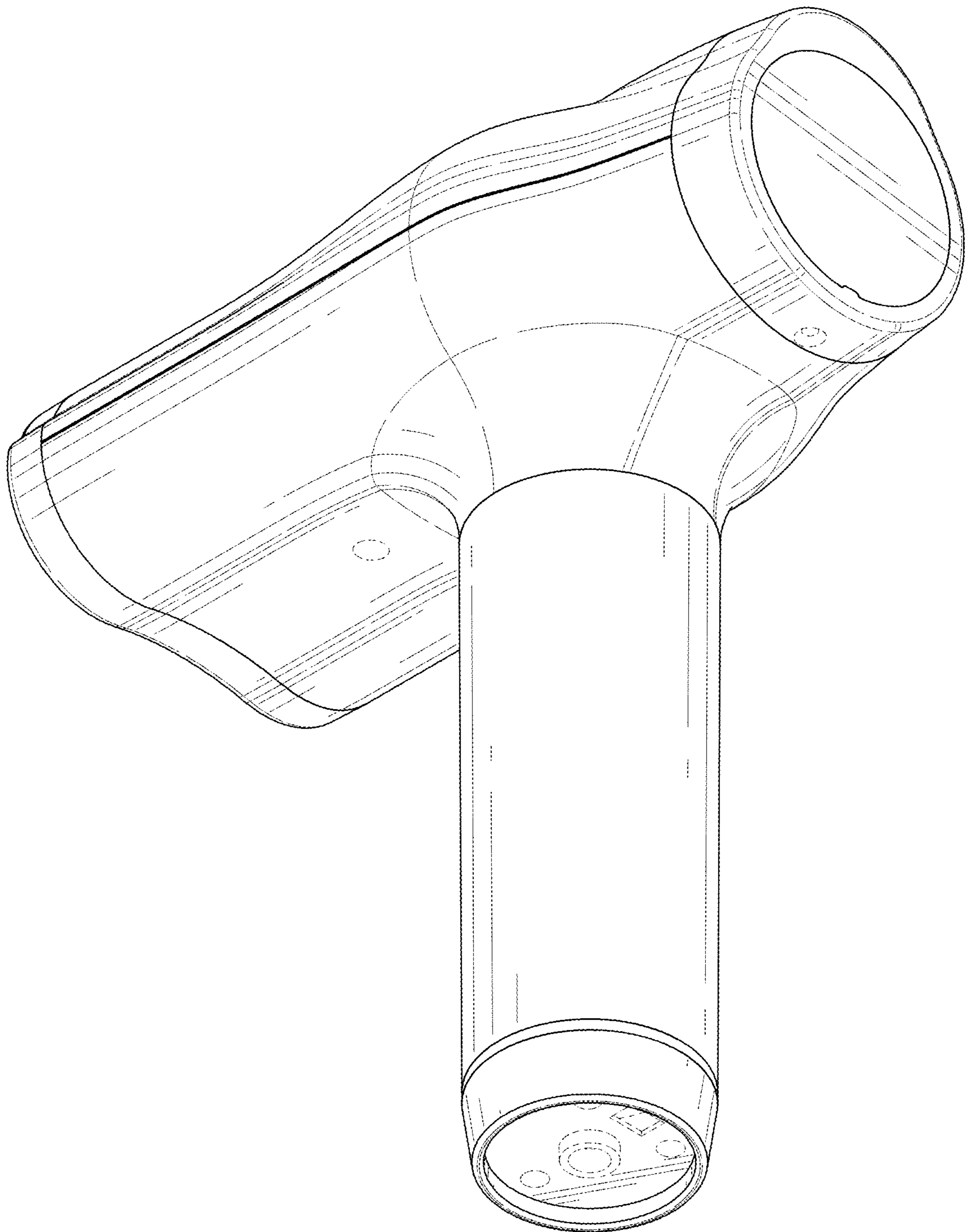


FIG. 2

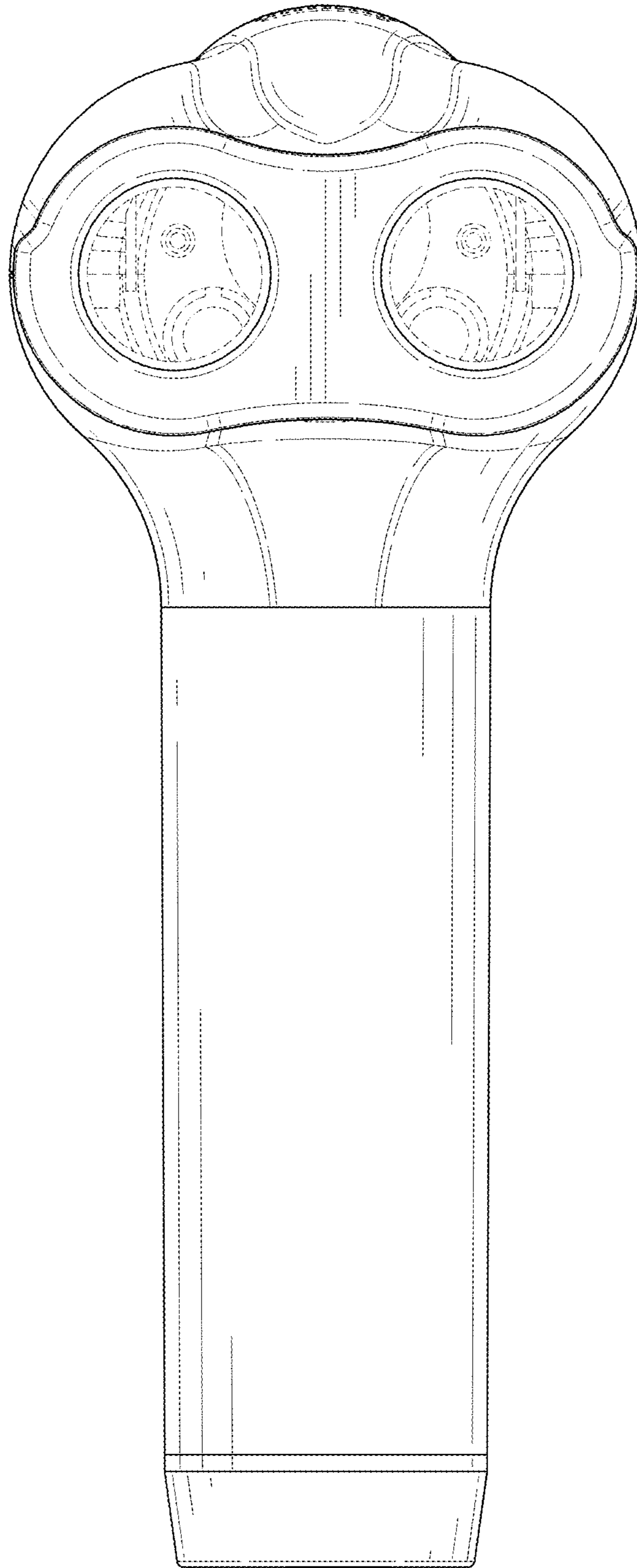


FIG. 3

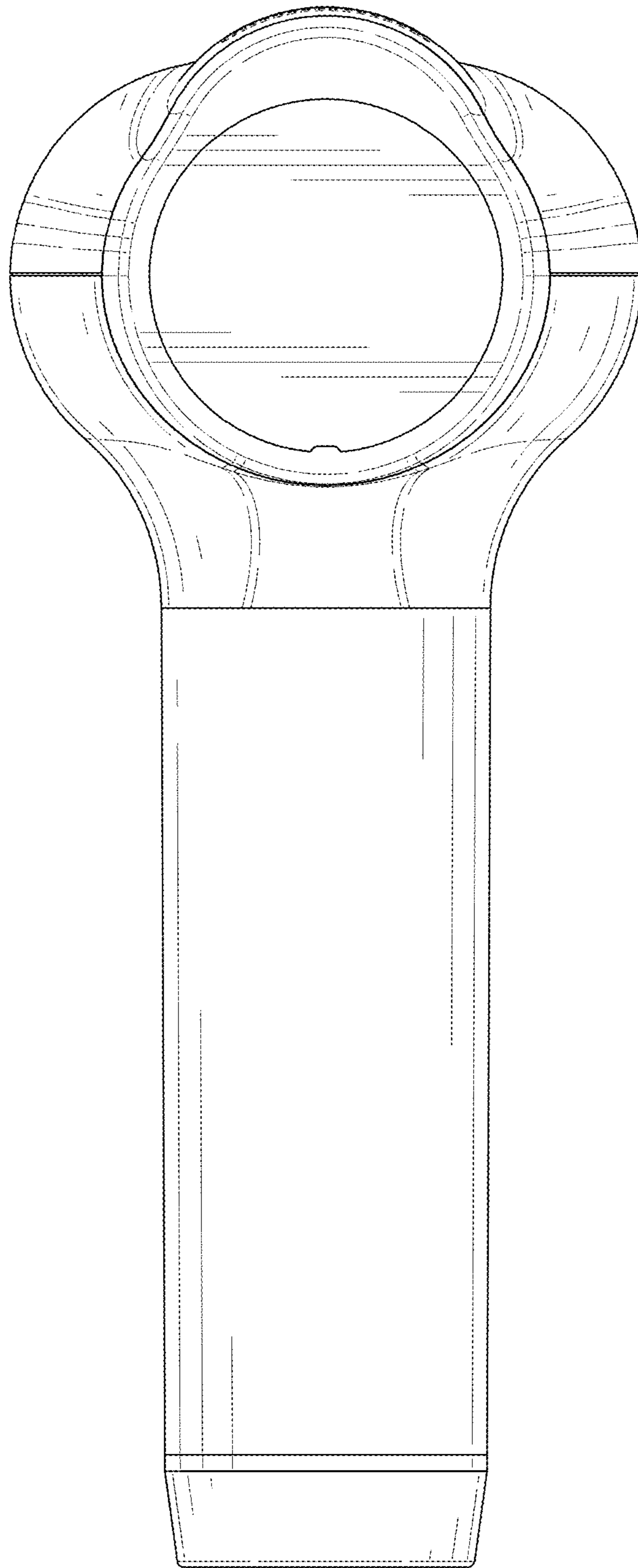


FIG. 4

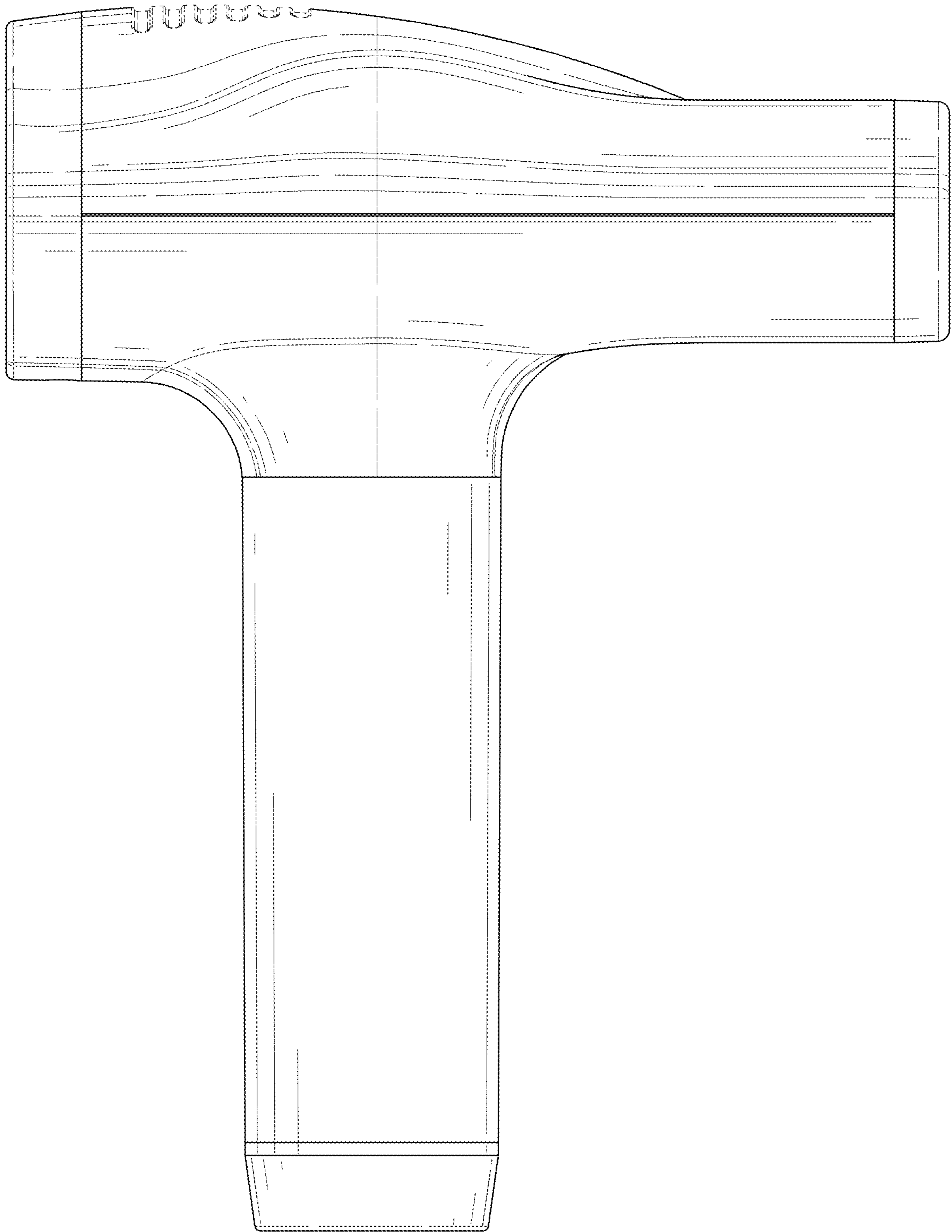


FIG. 5

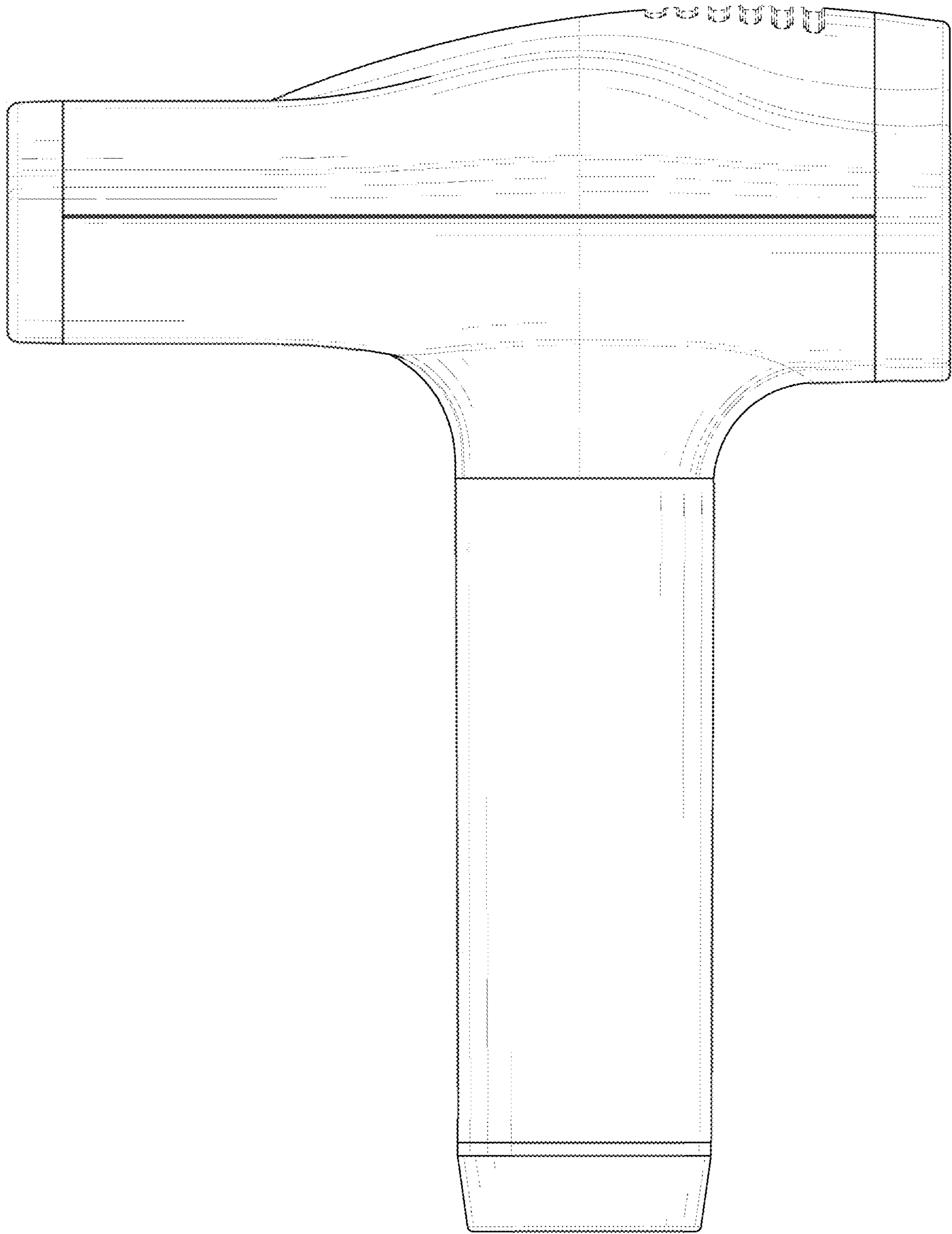


FIG. 6

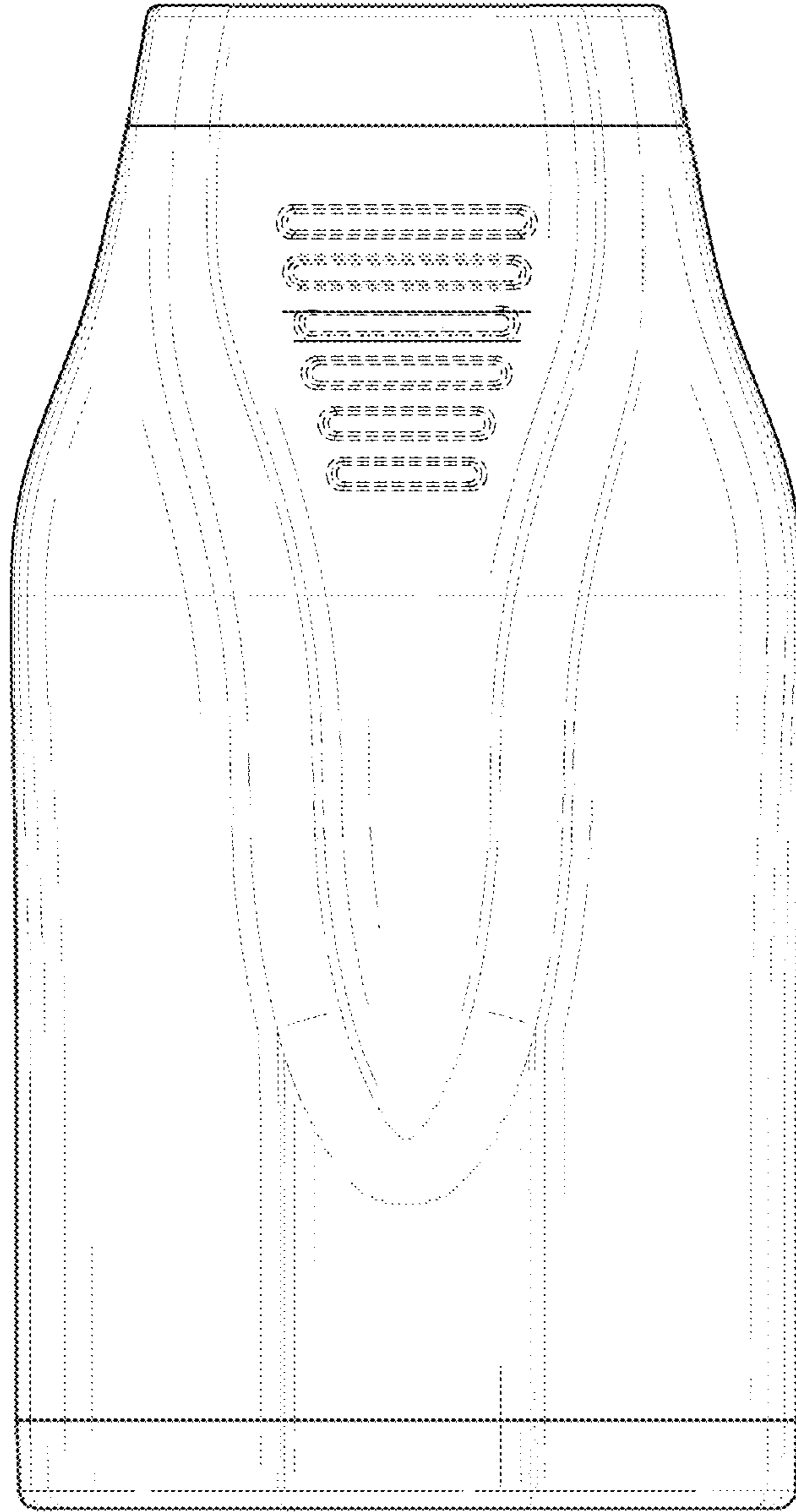


FIG. 7

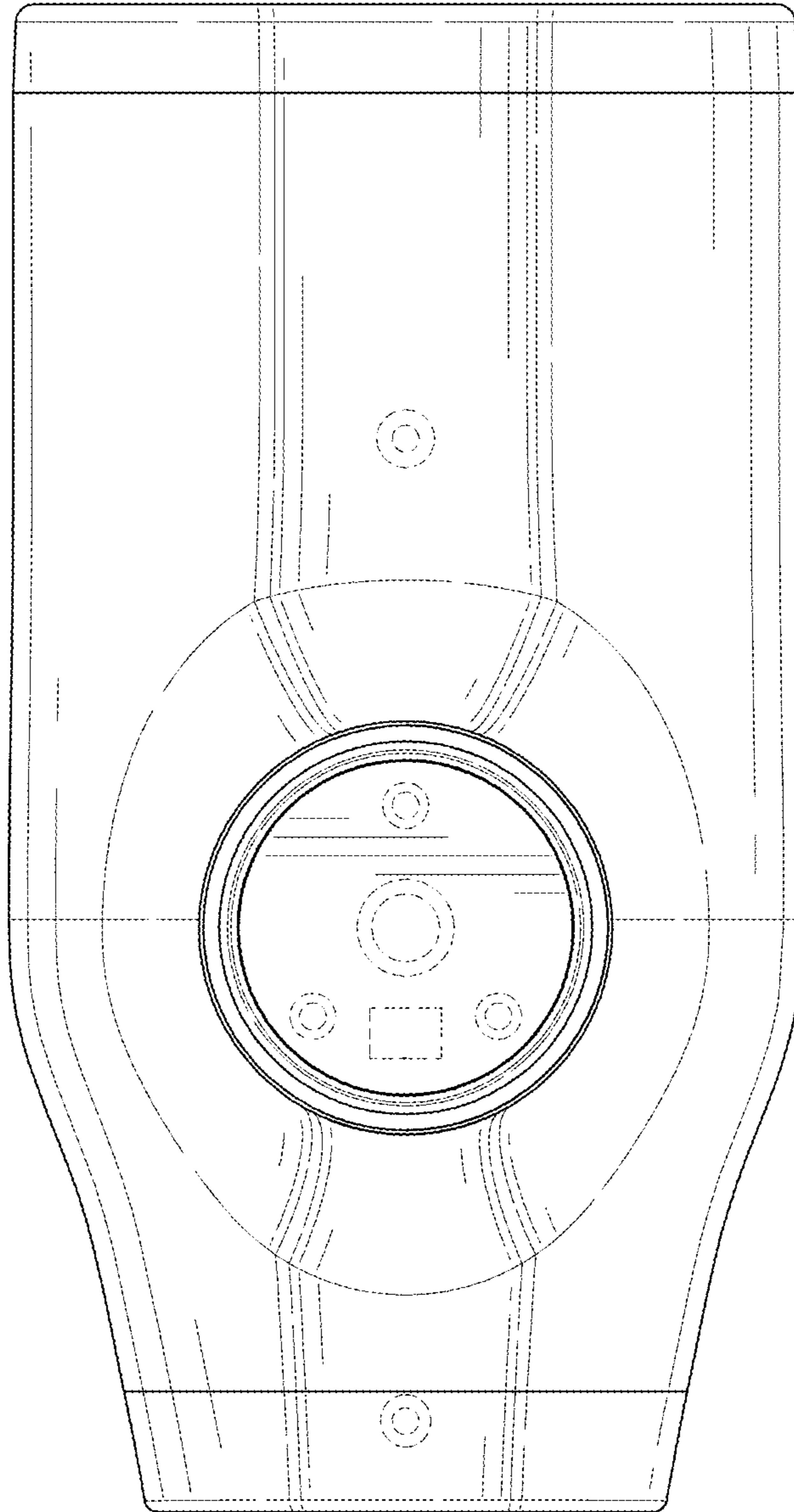


FIG. 8