



US00D949416S

(12) **United States Design Patent** (10) **Patent No.:** **US D949,416 S**  
**Khubani et al.** (45) **Date of Patent:** **\*\* Apr. 19, 2022**

(54) **ATTACHMENT TO AN ELECTRICAL STIMULATION DEVICE**

(71) Applicant: **Health Bloom, LLC**, Miami Beach, FL (US)

(72) Inventors: **Ajit Khubani**, Saddle River, NJ (US); **Damian Mucaro**, Hackensack, NJ (US); **Paul Dowd**, Scarsdale, NJ (US)

(73) Assignee: **Health Bloom, LLC**, Miami Beach, FL (US)

(\*\*) Term: **15 Years**

(21) Appl. No.: **29/756,866**

(22) Filed: **Oct. 30, 2020**

(51) **LOC (13) Cl.** ..... **28-03**

(52) **U.S. Cl.**  
USPC ..... **D24/215**

(58) **Field of Classification Search**  
USPC ..... D24/200, 209, 211, 212, 213, 214, 215;  
D7/393; D8/307, 310, 378; D9/435, 439  
CPC . A61H 2201/0119; A61H 7/002; A61H 7/007  
See application file for complete search history.

(56) **References Cited**

U.S. PATENT DOCUMENTS

D186,053	S	*	9/1959	Clayton	.....	D8/310
D197,889	S	*	4/1964	Hass	.....	D24/194
3,716,163	A	*	2/1973	Marcel	.....	B65D 39/0017 215/320
4,033,356	A		7/1977	Hara		
D285,116	S	*	8/1986	Hoff	.....	D24/214
D320,279	S		9/1991	McQueen		
D334,332	S	*	3/1993	Massey	.....	D8/107
D362,307	S	*	9/1995	Cirone	.....	D24/211
D368,638	S	*	4/1996	Sonnenleiter	.....	D8/310
D403,584	S	*	1/1999	Bakic	.....	D9/454
D427,507	S	*	7/2000	Huang	.....	D8/378

D432,399	S	*	10/2000	Xu	.....	D8/378
D433,620	S	*	11/2000	Xu	.....	D8/378
D444,882	S	*	7/2001	Chen	.....	D24/211
D444,883	S	*	7/2001	Chen	.....	D24/211
D449,695	S	*	10/2001	Ponton	.....	D24/200
D489,979	S	*	5/2004	Le Bourg	.....	D9/439

(Continued)

OTHER PUBLICATIONS

[No Author Listed], Electronic Massage Pen, Acupuncture Pen, Electric Meridian Energy, Electric Meridians Laser Acupuncture Machine for Pain Relief (Battery Not Included). Amazon. Jun. 21, 2020. [https://www.amazon.com/Electronic-Acupuncture-Electric-Meridian-Meridians/dp/B087TM834Z/ref=cm\\_cr\\_ar\\_p\\_d\\_product\\_top?ie=UTF8](https://www.amazon.com/Electronic-Acupuncture-Electric-Meridian-Meridians/dp/B087TM834Z/ref=cm_cr_ar_p_d_product_top?ie=UTF8). Shown on p. 1 (2020).

(Continued)

*Primary Examiner* — Michael A Maharajh

(74) *Attorney, Agent, or Firm* — Wolf, Greenfield & Sacks, P.C.

(57) **CLAIM**

The ornamental design for an attachment to an electrical stimulation device, as shown and described.

**DESCRIPTION**

FIG. 1 is a top, front, right side perspective view of an attachment to an electrical stimulation device according to our new design;

FIG. 2 is a front elevation view thereof;

FIG. 3 is a rear elevation view thereof;

FIG. 4 is a right side elevation view thereof;

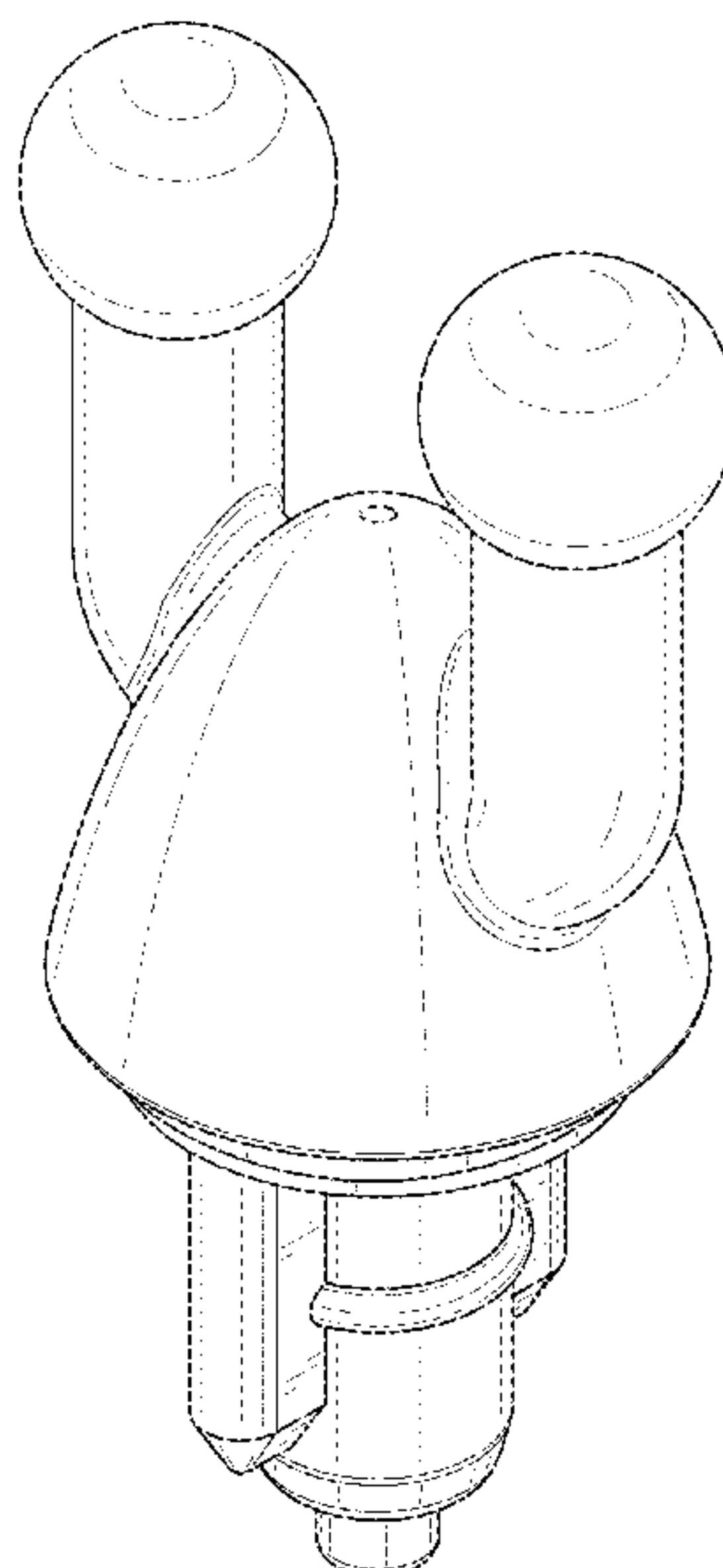
FIG. 5 is a left side elevation view thereof;

FIG. 6 is a top plan view thereof; and,

FIG. 7 is a bottom plan view thereof.

The broken lines in the figures depict portions of the attachment to an electrical stimulation device that form no part of the claimed design.

**1 Claim, 7 Drawing Sheets**



(56)

References Cited

U.S. PATENT DOCUMENTS

D495,599 S \* 9/2004 Biesecker ..... D7/391  
 D575,639 S \* 8/2008 Seeuwen ..... D9/439  
 D580,756 S \* 11/2008 Seebold ..... D9/439  
 D592,036 S \* 5/2009 Dornin ..... D8/307  
 D592,484 S \* 5/2009 Ricereto ..... D8/307  
 D600,177 S \* 9/2009 Komiyama ..... D12/179  
 D608,897 S 1/2010 Cole  
 D627,898 S \* 11/2010 Aulwes ..... D24/214  
 D628,304 S \* 11/2010 Aulwes ..... D24/214  
 D639,657 S \* 6/2011 Hoyt ..... D9/439  
 D679,982 S \* 4/2013 Ramsland ..... D8/312  
 D715,955 S \* 10/2014 Hsu ..... A61H 19/00  
 D716,465 S \* 10/2014 Kanbar ..... A61H 19/40  
 D729,063 S \* 5/2015 Koop ..... D9/439  
 D735,853 S \* 8/2015 Pa ..... D24/129  
 D771,468 S \* 11/2016 Gallagher ..... D8/307  
 D791,958 S \* 7/2017 Ho ..... D24/200  
 D799,945 S \* 10/2017 Sotto ..... D8/373  
 D799,946 S \* 10/2017 Sotto ..... D8/373  
 D818,600 S \* 5/2018 Black ..... D24/214  
 D819,825 S \* 6/2018 Black ..... D24/214  
 D820,992 S \* 6/2018 King ..... D24/200  
 D823,478 S \* 7/2018 Park ..... D24/215  
 D825,067 S \* 8/2018 Ho ..... D24/200  
 D830,568 S \* 10/2018 Black ..... D24/214  
 D833,029 S \* 11/2018 Guenst ..... D24/215  
 D837,395 S \* 1/2019 Gan ..... D24/214  
 D844,799 S 4/2019 Kim  
 D845,499 S \* 4/2019 Wersland ..... D24/211  
 D845,500 S \* 4/2019 Wersland ..... D24/211  
 D849,260 S \* 5/2019 Wersland ..... D24/211  
 D849,261 S \* 5/2019 Wersland ..... D24/211  
 D850,639 S \* 6/2019 Wersland ..... D24/211  
 D850,640 S \* 6/2019 Wersland ..... D24/211  
 D854,699 S 7/2019 Peterson  
 D859,680 S \* 9/2019 Wersland ..... D24/211  
 D865,192 S \* 10/2019 Nazarian ..... D24/200  
 D865,987 S \* 11/2019 Jacobs ..... D24/214  
 D872,295 S \* 1/2020 Friedman ..... D24/215  
 D883,074 S \* 5/2020 Roe ..... D8/378  
 D890,353 S \* 7/2020 Nazarian ..... D24/200  
 D890,942 S \* 7/2020 Wersland ..... D24/211  
 D890,943 S \* 7/2020 Wersland ..... D24/211  
 D896,393 S \* 9/2020 Wersland ..... D24/211  
 10,758,452 B2 \* 9/2020 Wersland ..... A61H 1/00  
 D898,207 S 10/2020 Yang  
 D899,926 S \* 10/2020 Guduru ..... D9/439  
 D904,636 S \* 12/2020 Delassus ..... D24/214  
 D907,792 S \* 1/2021 Marton ..... D24/215  
 D908,235 S \* 1/2021 Marton ..... D24/215  
 D910,870 S \* 2/2021 Marton ..... D24/215  
 D914,229 S \* 3/2021 Takeuchi ..... D24/215  
 D914,477 S \* 3/2021 Watson ..... D8/310

D917,714 S \* 4/2021 Chen ..... D24/215  
 D918,404 S \* 5/2021 Wersland ..... D24/211  
 D918,405 S \* 5/2021 Wersland ..... D24/211  
 2004/0260213 A1 \* 12/2004 Szczepanski ..... A61H 15/0085  
 601/46  
 2014/0243718 A1 \* 8/2014 Black ..... A61H 7/003  
 601/120  
 2016/0325092 A1 11/2016 Haralambidis  
 2019/0015294 A1 \* 1/2019 Nazarian ..... A61H 15/0085  
 2019/0017528 A1 \* 1/2019 Wersland ..... A61H 23/006  
 2019/0117961 A1 4/2019 Haralambidis  
 2019/0350793 A1 \* 11/2019 Wersland ..... A61H 23/006  
 2020/0352821 A1 \* 11/2020 Wersland ..... A61H 1/00

OTHER PUBLICATIONS

[No Author Listed], Acupuncture Pen. Amazon.com. Retrieved from the Internet Oct. 26, 2020: <https://www.amazon.com/s?k=acupuncture+pen&crd=2QHKS94LL> . . . 1 page.  
 [No Author Listed], AV Mini Personal Massage Magic Vibrating Rocket Type Bullet Pocket massager. Groupon. Retrieved from the Internet Oct. 29, 2020: <https://www.groupon.com/deals/gg-mp-av-mini-personal-massage-magic-vibrating-rocket-type-bullet-pocket-massager>. 4 pages.  
 [No Author Listed], Big Teaze Toys Rocket Vibrator, Yellow, One Size. Amazon.co.uk. Retrieved from the Internet Oct. 29, 2020: <https://www.amazon.co.uk/Big-Teaze-Rocket-Vibrator-Yellow/dp/B006HZ3TWS>. 3 pages.  
 [No Author Listed], Electronic Acupuncture Pen, Electric Meridians Laser Acupuncture Machine Magnet Therapy Instrument Meridian Energy Pen Massager Relief Pain Tools (C3). GistGear The Essential Guide To The Best Gear! Oct. 18, 2020. Retrieved from the Internet: <https://gistgear.com/product/B07W4JY76L>. 28 pages.  
 [No Author Listed], Get My Rocket—Because Everybody Can Use A Tune Up. Indiegogo. Retrieved from the Internet Oct. 29, 2020: <https://www.indiegogo.com/projects/get-my-rocket-because-everybody-can-use-a-tune-up/>. 4 pages.  
 [No Author Listed], New Range of Motör-Head Branded Sex Toys Now Available; “Weapons Grade” Orgasms Promised. Braveworlds.com. Nov. 23, 2016. Retrieved from the Internet: <http://braveworlds.com/news/new-range-of-motorhead-branded-sex-toys-now-available-weapons-grade-orgasms-promised>. 16 pages.  
 [No Author Listed], Pain Gone. BeatPain. Retrieved from the Internet Oct. 29, 2020: <https://jmandbn.wixsite.com/bp-new/product-page/pain-gone>. 1 page.  
 [No Author Listed], Portable Laser Therapy Acupuncture Pen Transcutaneous Electrical Nerve Stimulation Tens. Btrworlds. 2014. Retrieved from the Internet: <http://tens-musclestimulators.btrworlds.com/transcutaneous-electrical-nerve-stimulation-tens/portable-laser-therapy-acupuncture-pen-transcutaneous-electrical-nerve-stimulation-tens-1674756.html>. 5 pages.

\* cited by examiner



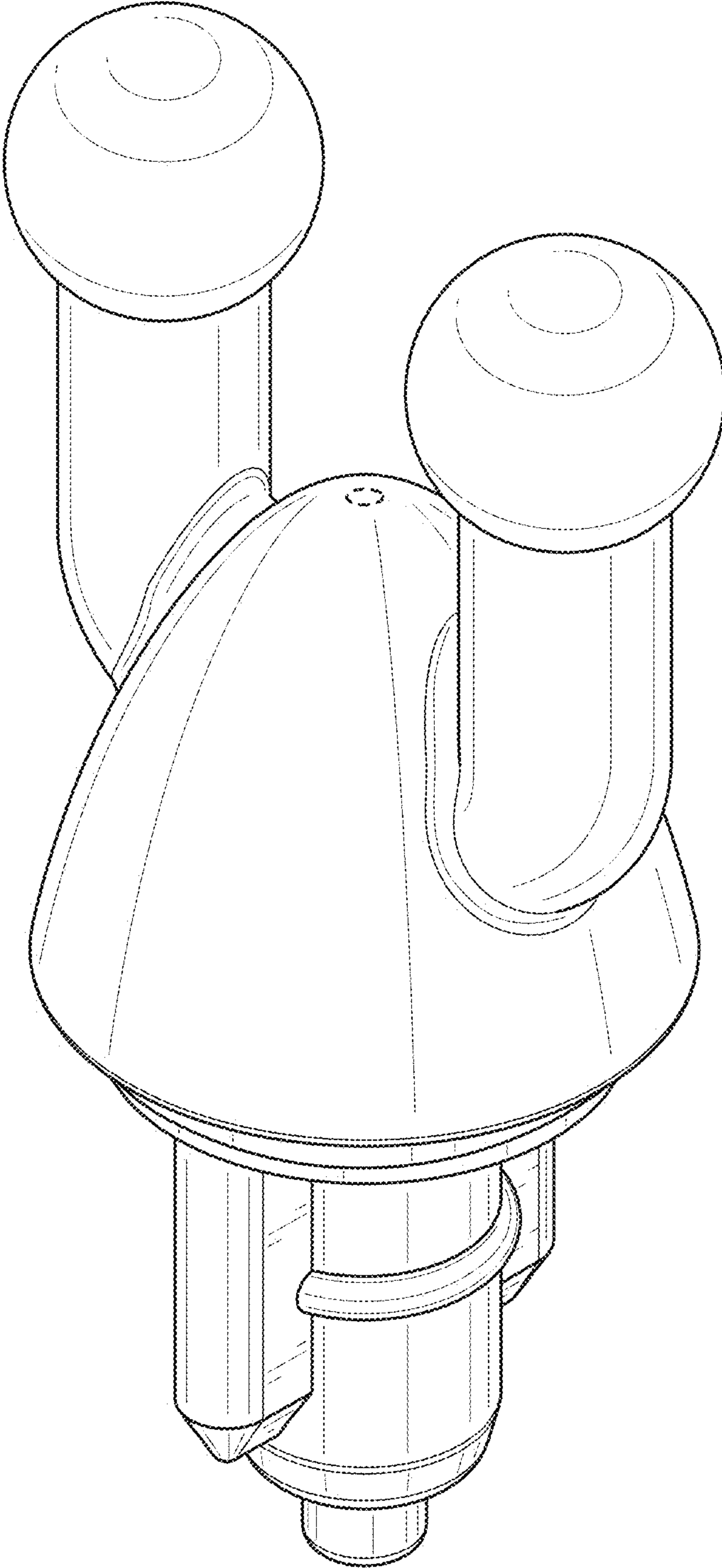


FIG. 1

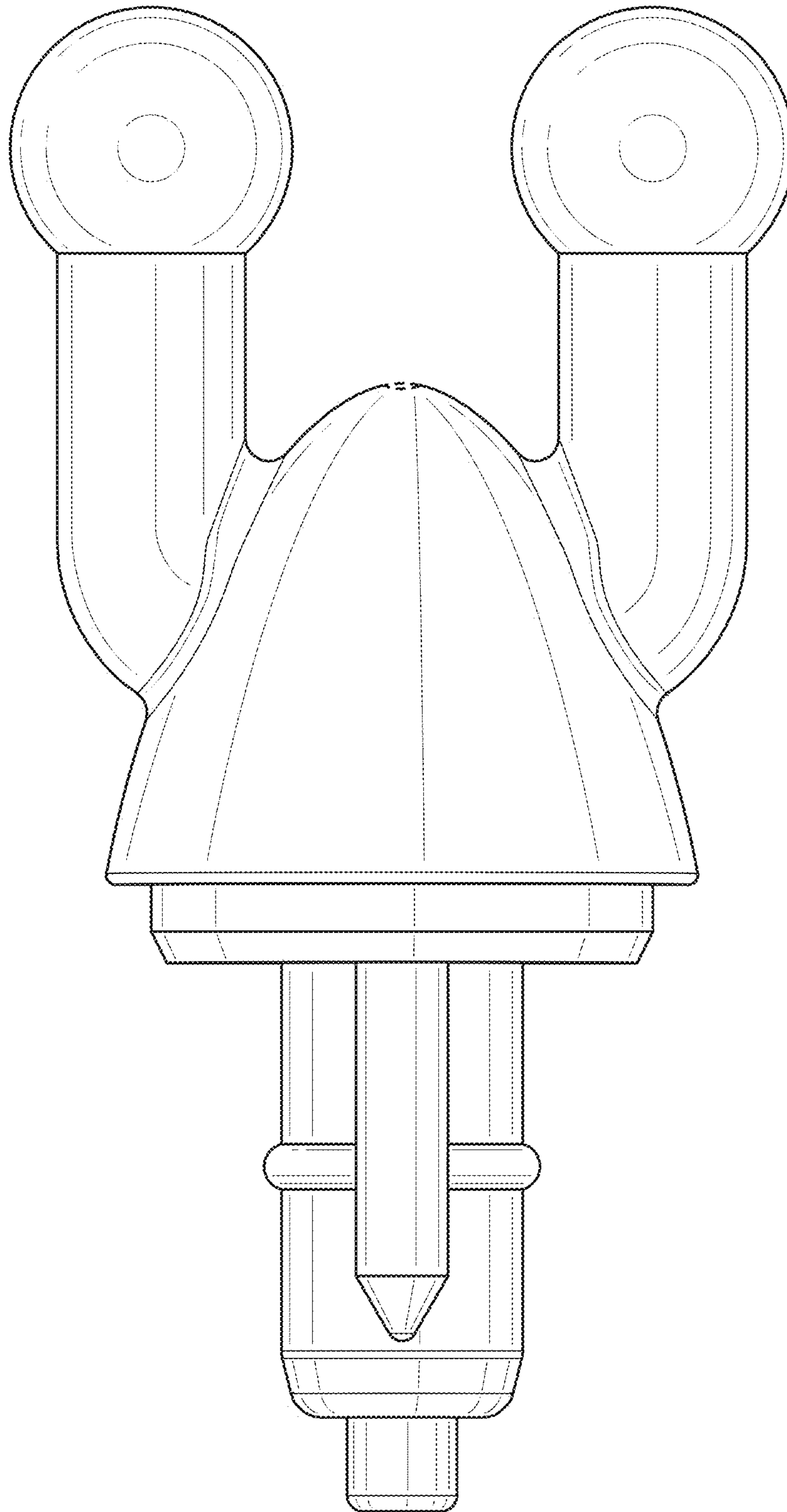


FIG. 2

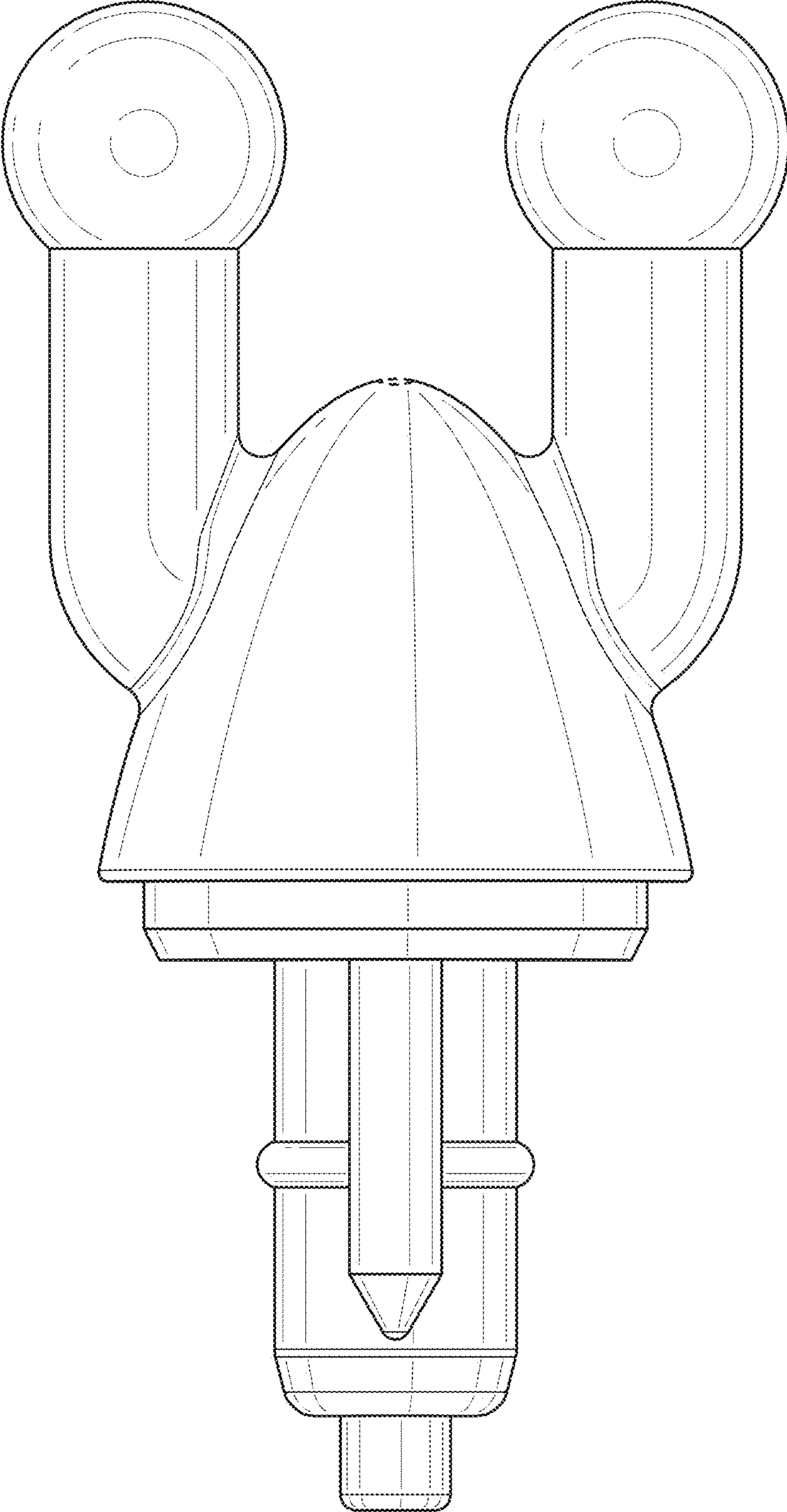


FIG. 3

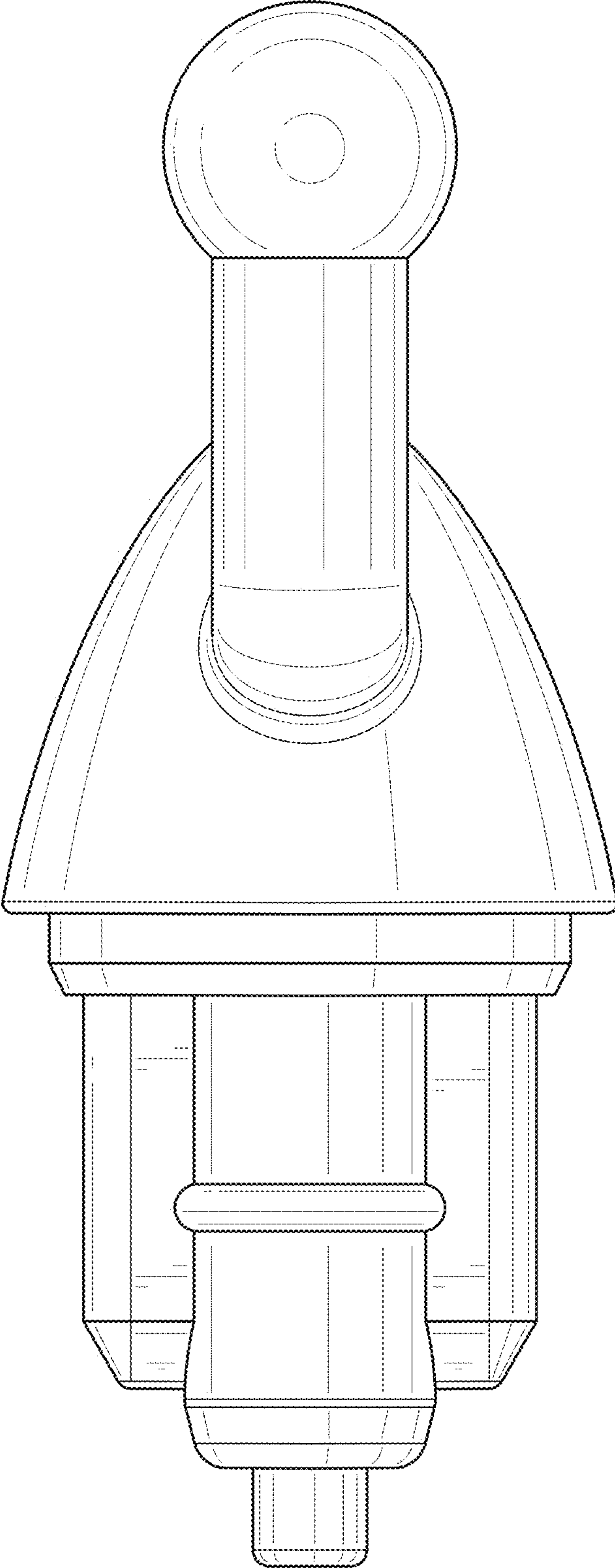


FIG. 4

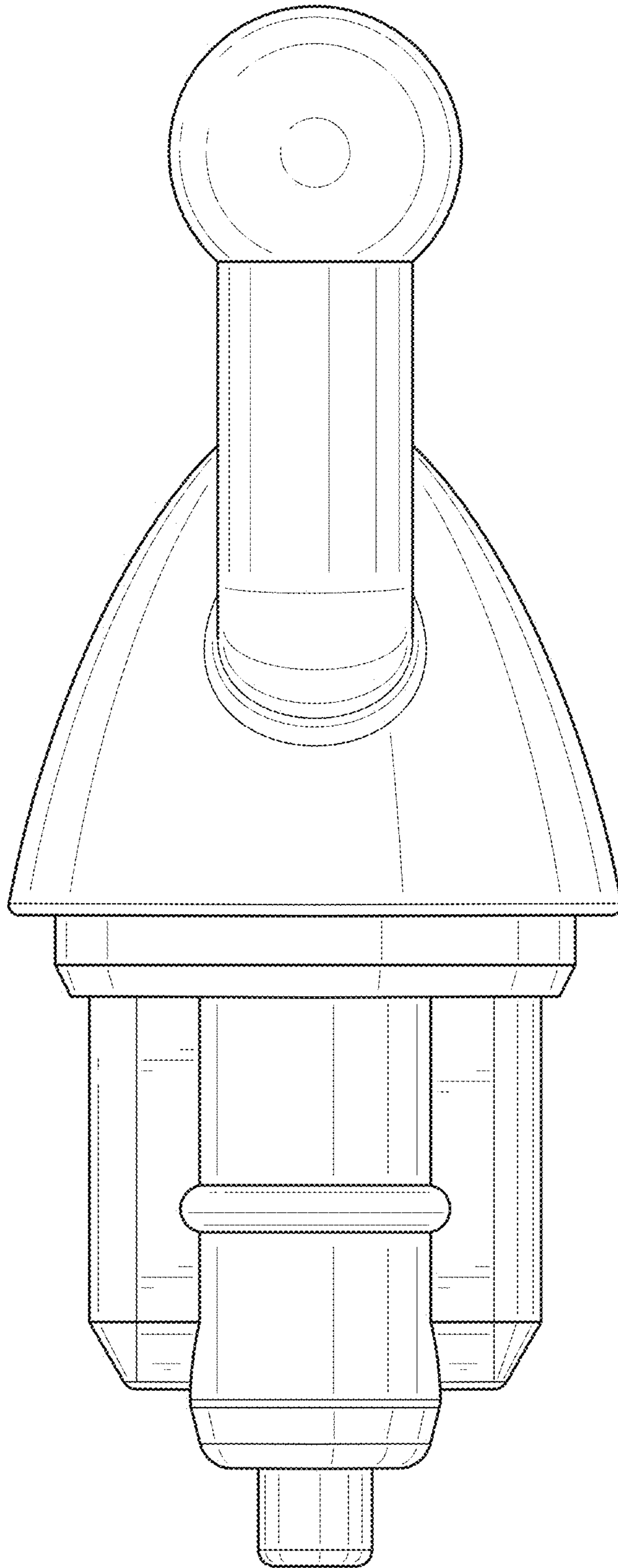


FIG. 5

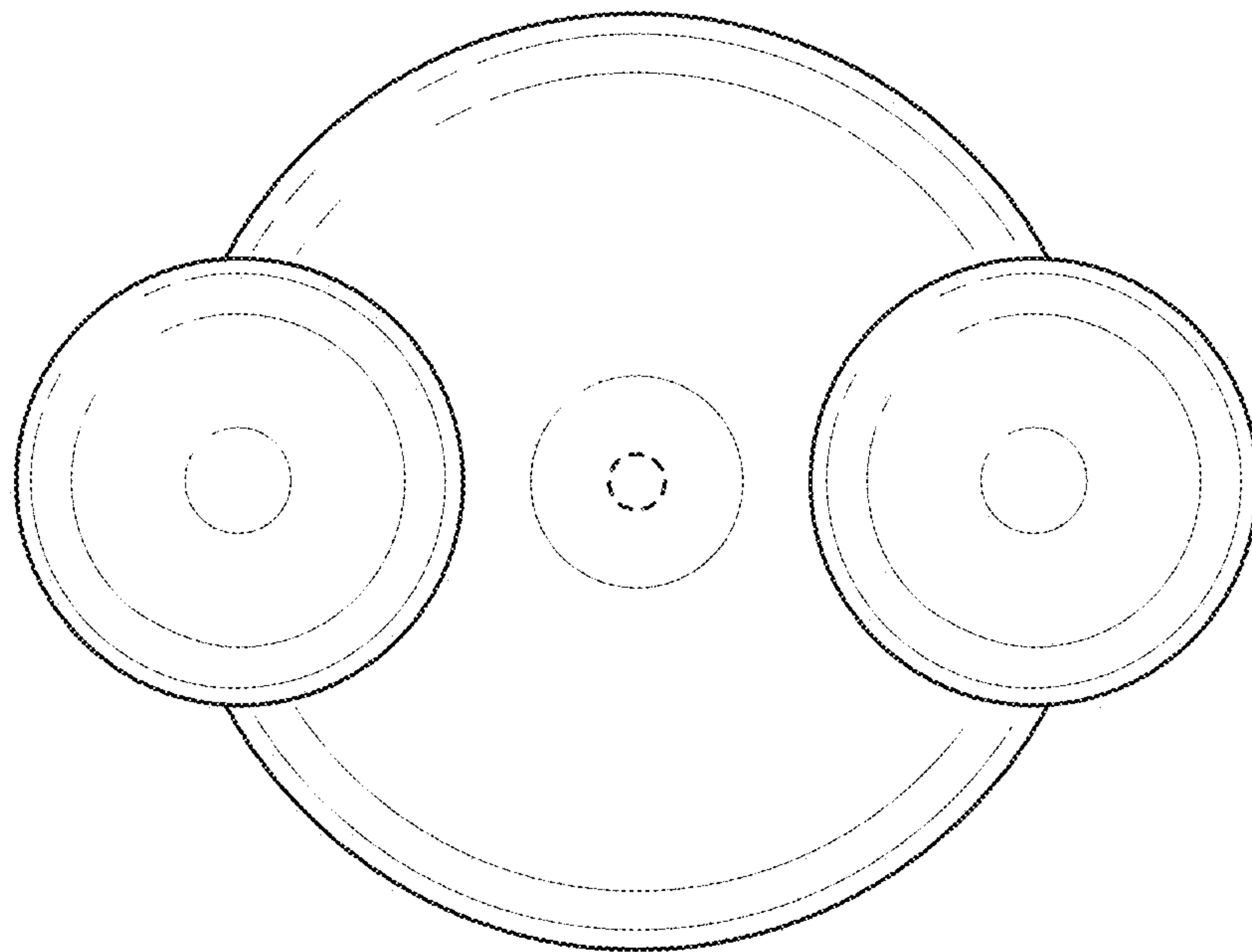


FIG. 6



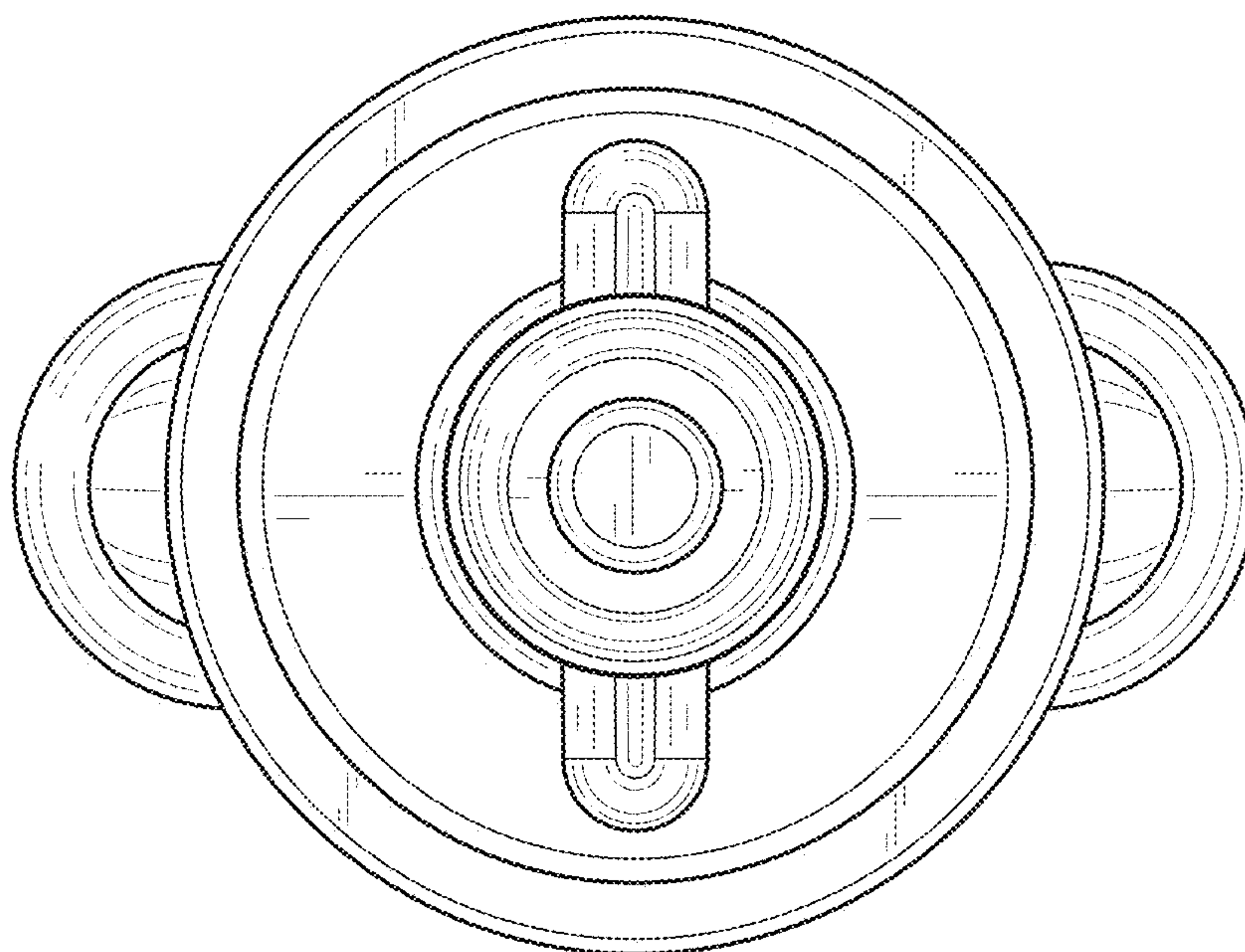


FIG. 7

UNITED STATES PATENT AND TRADEMARK OFFICE  
**CERTIFICATE OF CORRECTION**


PATENT NO. : D949,416 S  
APPLICATION NO. : 29/756866  
DATED : April 19, 2022  
INVENTOR(S) : Ajit Khubani et al.

Page 1 of 1

It is certified that error appears in the above-identified patent and that said Letters Patent is hereby corrected as shown below:

On the Title Page

Item (72), the place of residence of Inventor Paul Dowd "Scarsdale, NJ (US)" should be replaced with:  
--Scarsdale, NY (US)--.

Signed and Sealed this  
Thirty-first Day of January, 2023  
  
Katherine Kelly Vidal  
*Director of the United States Patent and Trademark Office*