



US00D949415S

(12) **United States Design Patent** (10) **Patent No.:** **US D949,415 S**
Khubani et al. (45) **Date of Patent:** **** Apr. 19, 2022**

(54) **ELECTRICAL STIMULATION DEVICE**
(71) Applicant: **Health Bloom, LLC**, Miami Beach, FL (US)
(72) Inventors: **Ajit Khubani**, Saddle River, NJ (US);
Paul Dowd, Scarsdale, NY (US);
Damian Mucaro, Hackensack, NJ (US)
(73) Assignee: **Health Bloom, LLC**, Miami Beach, FL (US)

D484,987 S * 1/2004 Nan D24/215
D540,947 S 4/2007 Jung et al.
D540,952 S 4/2007 Colvin
D556,332 S 11/2007 Han
D585,997 S * 2/2009 Adam D24/107
D603,970 S * 11/2009 Ball D24/200
D608,897 S 1/2010 Cole
D613,741 S 4/2010 Swan
D623,310 S * 9/2010 Cheng D24/211
(Continued)

(**) Term: **15 Years**

WO 2015103557 7/2015

(21) Appl. No.: **29/750,392**

OTHER PUBLICATIONS

(22) Filed: **Sep. 14, 2020**

Amazon, "Electronic Massage Pen", Jun. 21, 2020. https://www.amazon.com/Electronic-Acupuncture-Electric-Meridian-Meridians/dp/B087TM834Z/ref=cm_cr_arp_d_product_top?ie=UTF8. Shown on p. 1. (Year: 2020).*

(51) **LOC (13) Cl.** **28-03**

(52) **U.S. Cl.**
USPC **D24/215**

(58) **Field of Classification Search**
USPC D24/200, 211, 214, 215; D28/44, 44.1, D28/85; D27/165
CPC A45D 26/0066; A61B 2017/00761
See application file for complete search history.

(Continued)

Primary Examiner — Michael A Maharajh
(74) *Attorney, Agent, or Firm* — Wolf, Greenfield & Sacks, P.C.

(56) **References Cited**

(57) **CLAIM**

U.S. PATENT DOCUMENTS

The ornamental design for an electrical stimulation device, as shown and described.

D143,924 S * 2/1946 McFadden D24/135
D262,768 S * 1/1982 Bovet D28/85
4,378,023 A * 3/1983 Trabucco A61B 17/3468
607/120
D268,524 S * 4/1983 D'Addio D24/211
D303,838 S 10/1989 Lien-Fui
5,012,816 A 5/1991 Lederer
D320,279 S 9/1991 McQueen
D355,969 S * 2/1995 Schneider D28/10
D363,129 S * 10/1995 Landers D24/200
6,266,558 B1 7/2001 Gozani et al.
D450,889 S * 11/2001 Chang D28/76
6,507,755 B1 1/2003 Gozani et al.
D481,132 S 10/2003 Kim

DESCRIPTION

FIG. 1 is a top perspective view of an electrical stimulation device, in accordance with the present design;
FIG. 2 is a front elevational view thereof;
FIG. 3 is a left side elevational view thereof;
FIG. 4 is a rear elevational view thereof;
FIG. 5 is a right side elevational view thereof;
FIG. 6 is a top plan view shown at a larger scale thereof; and,
FIG. 7 is a bottom plan view shown at a larger scale thereof.

1 Claim, 7 Drawing Sheets



(56)

References Cited

U.S. PATENT DOCUMENTS

D627,898 S 11/2010 Aulwes
 D628,304 S 11/2010 Aulwes
 D630,761 S * 1/2011 Marshall D24/215
 D636,888 S * 4/2011 Nikitzuk D24/215
 D643,128 S 8/2011 Mohamed
 D648,442 S * 11/2011 Caggiano D24/215
 D652,527 S * 1/2012 Marshall D24/215
 D666,732 S * 9/2012 Caggiano D24/214
 D666,733 S * 9/2012 Caggiano D24/215
 D668,346 S * 10/2012 Zeng D24/215
 D672,047 S 12/2012 Hsu
 D673,325 S * 12/2012 Martines D28/4
 D673,687 S * 1/2013 Zeng D24/215
 D688,382 S * 8/2013 Marshall D24/215
 D693,933 S 11/2013 Tai
 D694,416 S * 11/2013 Tai D24/215
 D694,417 S * 11/2013 Tai D24/215
 D695,413 S * 12/2013 Grust D24/214
 D701,610 S 3/2014 Thomas et al.
 D704,848 S 5/2014 Thomas et al.
 D706,440 S * 6/2014 Hahr D24/215
 D706,441 S * 6/2014 Hahr D24/215
 D708,755 S 7/2014 Kim
 D710,054 S * 7/2014 Grabes D28/44.1
 8,862,238 B2 10/2014 Rahimi et al.
 D716,958 S 11/2014 Thomas et al.
 8,948,876 B2 2/2015 Gozani et al.
 D723,705 S 3/2015 Mininger et al.
 D723,709 S * 3/2015 Topolovac D24/215
 8,972,016 B2 3/2015 Thomas et al.
 9,037,269 B2 5/2015 Schroeder
 D739,077 S * 9/2015 Kloman D28/4
 D739,084 S * 9/2015 Hall D28/85
 D741,004 S * 10/2015 Kloman D28/4
 9,168,375 B2 10/2015 Rahimi et al.
 D746,513 S * 12/2015 Monical D28/7
 D747,543 S * 1/2016 Taha D27/165
 D747,544 S * 1/2016 Taha D27/165
 D747,827 S * 1/2016 Taha D27/165
 D748,326 S * 1/2016 Taha D27/165
 D748,327 S * 1/2016 Taha D27/165
 D748,865 S * 2/2016 Hall D28/85
 9,259,504 B2 2/2016 Cleary et al.
 9,265,690 B2 2/2016 Kriksunov et al.
 D754,355 S 4/2016 Ganapathy et al.
 9,474,898 B2 10/2016 Gozani et al.
 D821,600 S * 6/2018 Chang D24/215
 D823,478 S 7/2018 Park
 D824,039 S 7/2018 Hetzel
 D837,395 S 1/2019 Gan
 D837,993 S * 1/2019 Bailey D24/214
 D838,860 S 1/2019 Lee
 D843,593 S * 3/2019 Nakamura D24/215
 10,232,173 B2 3/2019 Kardos et al.
 D844,799 S 4/2019 Kim
 D850,638 S * 6/2019 Cha D24/200
 D854,699 S * 7/2019 Peterson D24/214
 D855,891 S * 8/2019 Lin D28/85
 D859,681 S 9/2019 Tang
 D866,080 S * 11/2019 Langdon D28/85
 D866,763 S * 11/2019 Khademhosseini D24/151
 D868,373 S * 11/2019 Kling D28/44.1
 D868,987 S 12/2019 Cheung
 D872,295 S 1/2020 Friedman

D873,486 S * 1/2020 Hazan D28/44.1
 D874,673 S 2/2020 Cheung
 D874,676 S 2/2020 Song
 10,682,508 B1 6/2020 Theriot et al.
 D890,944 S 7/2020 Tsang
 10,744,094 B2 8/2020 Glue et al.
 D895,828 S * 9/2020 Marshall D24/215
 D896,978 S * 9/2020 Cheung D24/215
 D898,207 S 10/2020 Yang
 D898,210 S * 10/2020 Cheung D24/215
 D899,616 S * 10/2020 Jung D24/215
 2013/0184695 A1 * 7/2013 Fourkas A61L 27/3691
 606/21
 2015/0148865 A1 5/2015 Gozani et al.
 2015/0174402 A1 6/2015 Thomas et al.
 2015/0306387 A1 10/2015 Kong et al.
 2016/0144174 A1 5/2016 Ferree et al.
 2016/0310734 A1 10/2016 Nodskov
 2016/0325092 A1 11/2016 Haralambidis
 2017/0036015 A1 2/2017 Gozani et al.
 2017/0224972 A1 * 8/2017 Ignon A61M 35/003
 2019/0046790 A1 2/2019 Dervieux
 2019/0117961 A1 4/2019 Haralambidis
 2019/0133642 A1 * 5/2019 Ignon A61B 17/54
 2019/0201072 A1 * 7/2019 Shiraishi A61F 7/007
 2020/0022866 A1 1/2020 Cohen
 2020/0187986 A1 * 6/2020 Hsu A46B 13/023

OTHER PUBLICATIONS

Big Teaze Toys Rocket Vibrator, Yellow, One Size found at <https://www.amazon.co.uk/Big-Teaze-Rocket-Vibrator-Yellow/dp/B006HZ3TWS>.
 Electronic Acupuncture Pen, Electric Meridians Laser Acupuncture Machine Magnet Therapy Instrument Meridian Energy Pen Massager Relief Pain Tools (C3) found at <https://gistgear.com/product/B07W4JY76L>.
 Get My Rocket—Because Everybody Can Use a Tune Up found at https://www.indiegogo.com/projects/get-my-rocket-because-everybody-can-use-a-tune-up#.
 Portable Laser Therapy Acupuncture Pen Transcutaneous Electrical Nerve Stimulation Tens found at <http://tens-musclestimulators.btrworlds.com/transcutaneous-electrical-nerve-stimulation-tens/portable-laser-therapy-acupuncture-pen-transcutaneous-electrical-nerve-stimulation-tens-1674756.html>.
 New Range of Motor-Head Branded Sex Toys Now Available; “Weapons Grade” Orgasms Promised found at <http://braveworlds.com/news/new-range-of-motorhead-branded-sex-toys-now-available-weapons-grade-orgasms-promised>.
 AV Mini Personal Massage Magic Vibrating Rocket Type Bullet Pocket massager found at <https://www.groupon.com/deals/gg-mp-av-mini-personal-massage-magic-vibrating-rocket-type-bullet-pocket-massager>.
 Pain Gone found at <https://jmandbn.wixsite.com/bp-new/product-page/pain-gone>.
 No Author Listed], Acupuncture Pen. Amazon.com. Retrieved from the Internet Oct. 26, 2020: <https://www.amazon.com/s?k=acupuncture+pen&crd=2QHKSW94LL>. 1 page.
 U.S. Appl. No. 29/756,851, filed Oct. 30, 2020, Khubani et al.
 [No. Author Listed], Orbit, “Electrical Stimulation Device”, www.orbit.com. Application No. 6134588. Application date Apr. 30, 2021. 1 page.

* cited by examiner

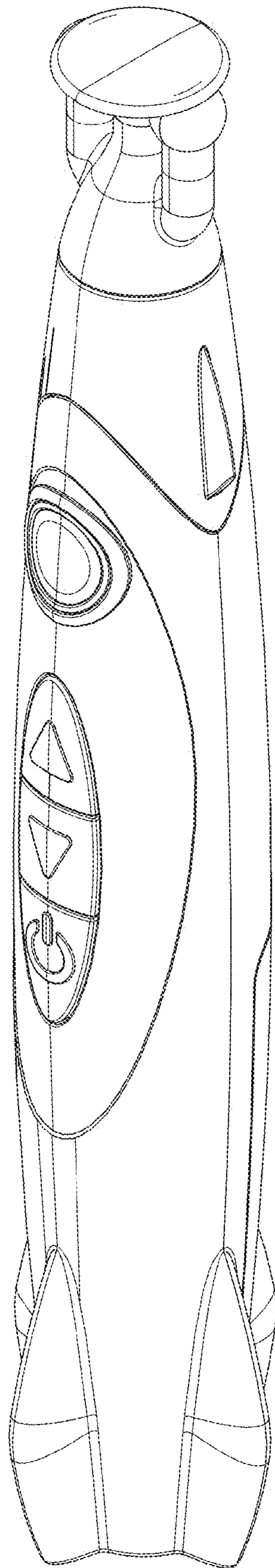


FIG. 1

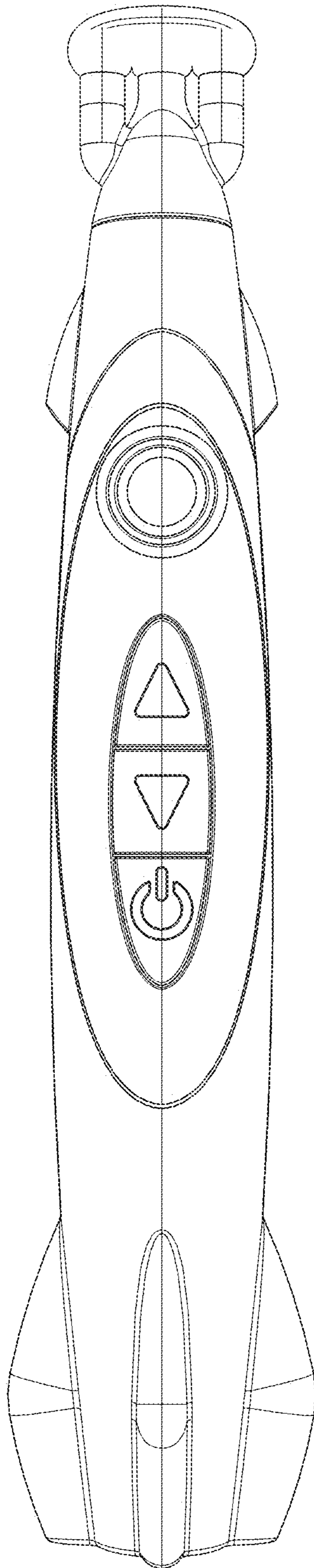


FIG. 2

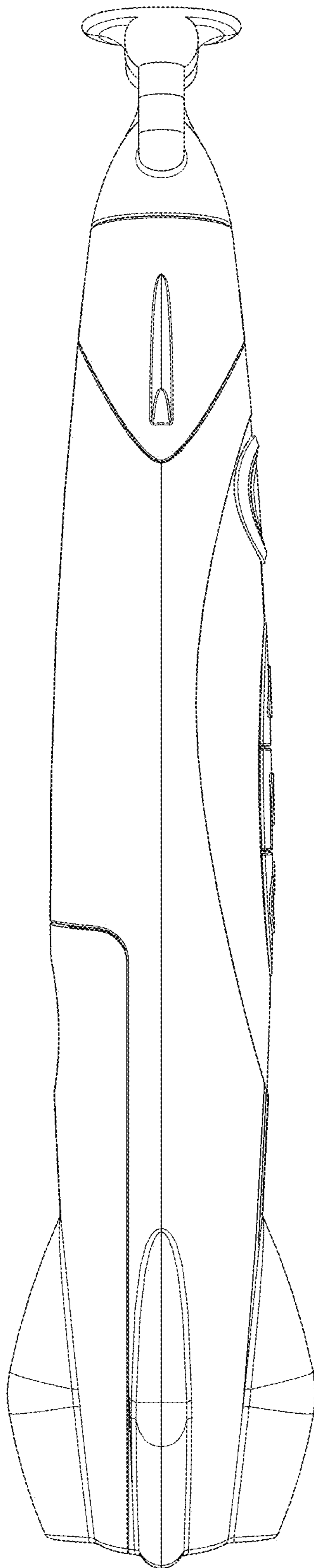


FIG. 3

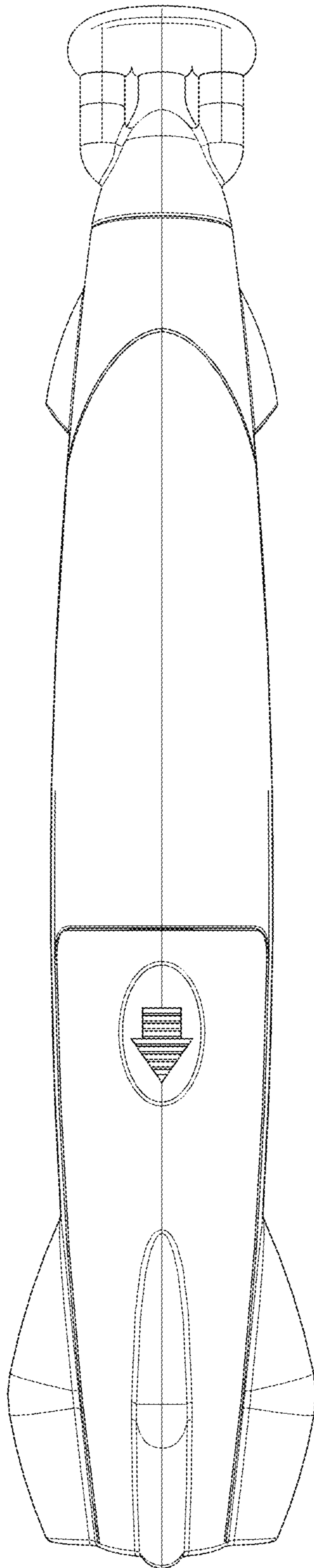


FIG. 4

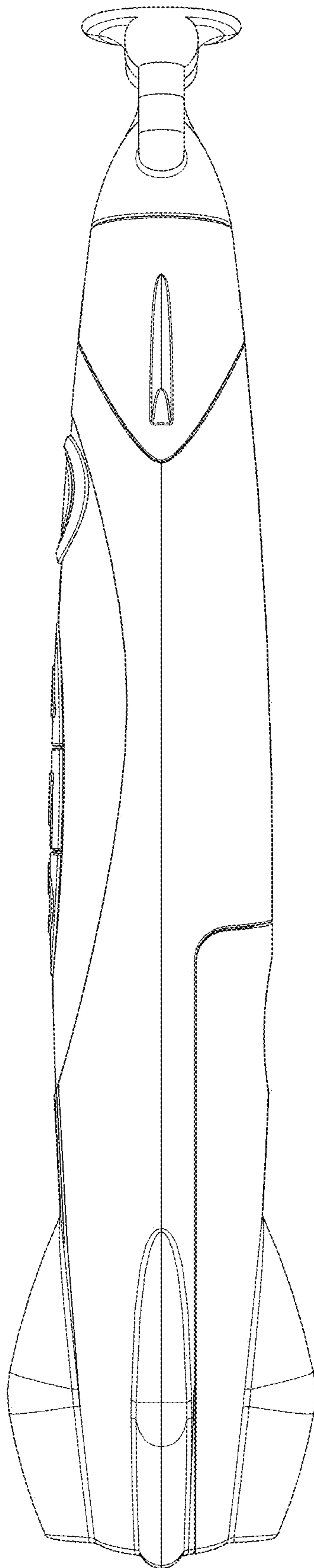


FIG. 5

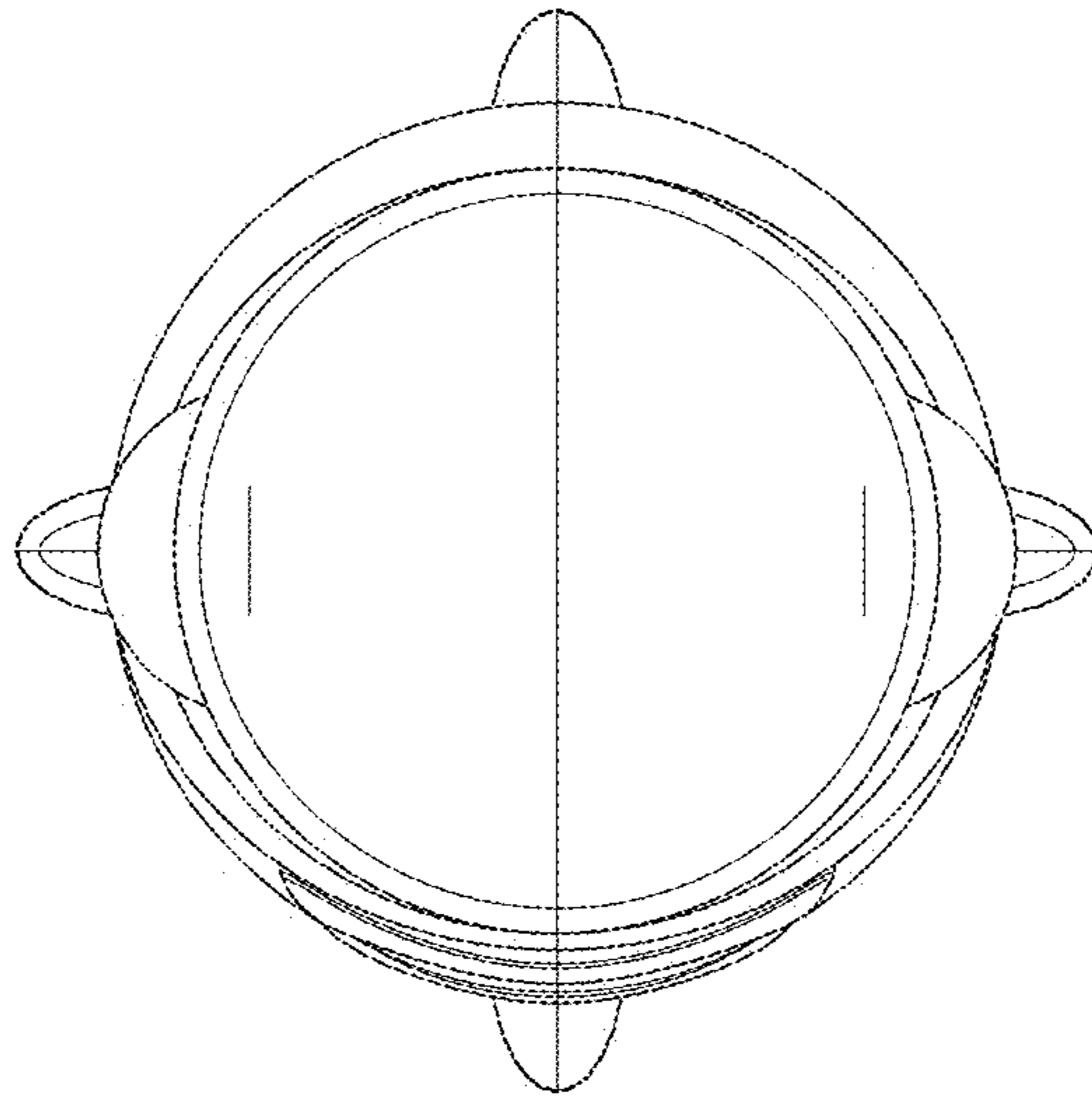


FIG. 6

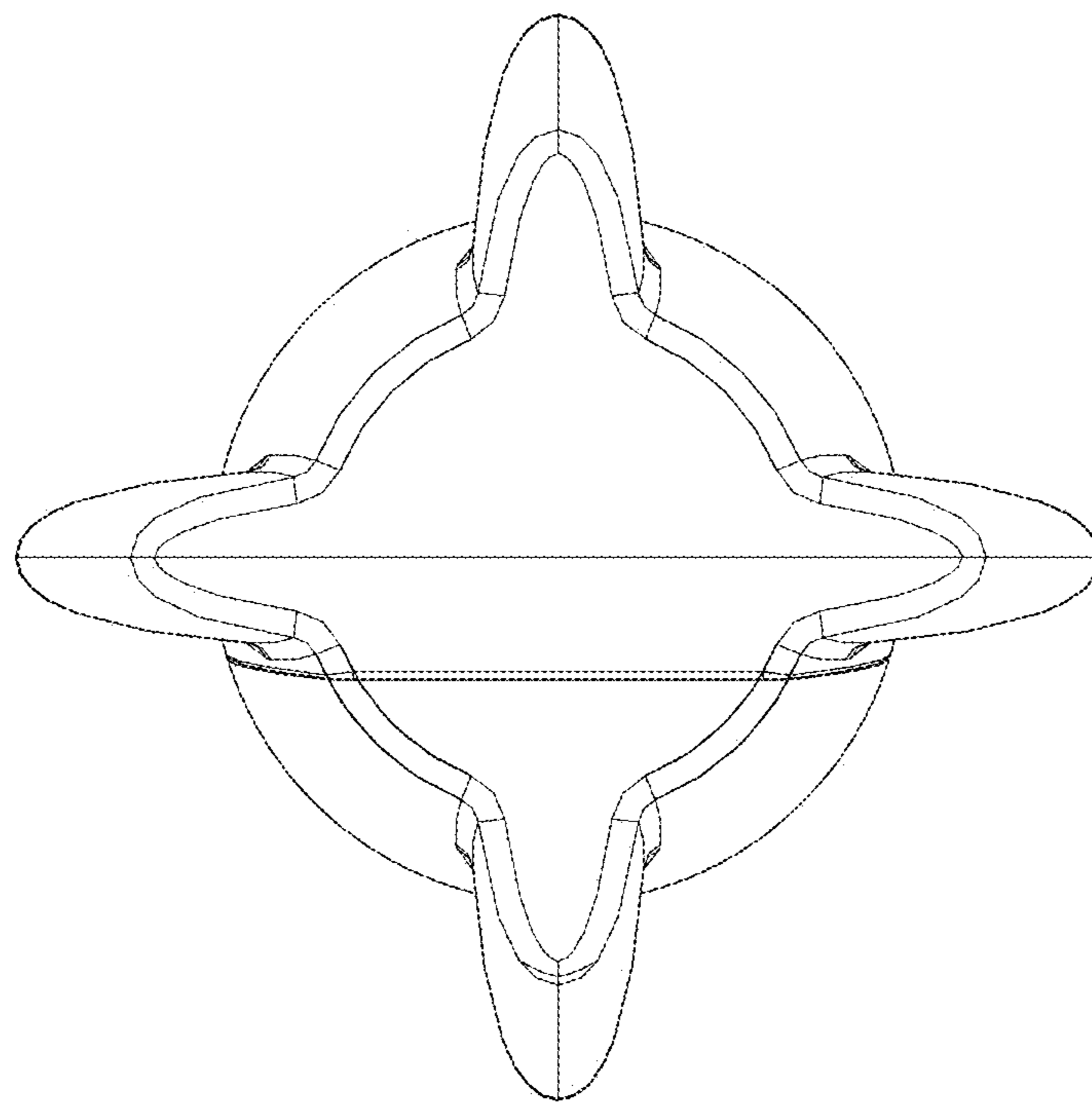


FIG. 7