

US00D949411S

(12) **United States Design Patent** (10) **Patent No.:** **US D949,411 S**
Chen et al. (45) **Date of Patent:** **** Apr. 19, 2022**

(54) **MESSAGE GUN**
(71) Applicant: **YONGKANG CAS ACEME MEDICAL TECHNOLOGY Co., Ltd,**
Jinhua (CN)
(72) Inventors: **Xiangyang Chen,** Jinhua (CN);
Guolong Ye, Jinhua (CN)
(73) Assignee: **YONGKANG CAS ACEME MEDICAL TECHNOLOGY CO., LTD,** Jinhua (CN)

D895,829 S * 9/2020 Hu D24/215
D900,329 S * 10/2020 Xu D24/215
D913,516 S * 3/2021 Zhang D24/215
D918,411 S * 5/2021 Xu D24/215
D920,531 S * 5/2021 Xu D24/215
D920,532 S * 5/2021 Xu D24/215
10,993,874 B1 * 5/2021 Marton A61H 23/02
D921,215 S * 6/2021 Xu D24/215
D924,424 S * 7/2021 Wang D24/215
D925,751 S * 7/2021 Wu D24/211
D928,339 S * 8/2021 Yang D24/215
D932,038 S * 9/2021 Park D24/211

(Continued)

(**) Term: **15 Years**

(21) Appl. No.: **29/745,256**

(22) Filed: **Aug. 5, 2020**

(30) **Foreign Application Priority Data**

Mar. 30, 2020 (CN) 202030115696.9

(51) **LOC (13) Cl.** **28-03**

(52) **U.S. Cl.**
USPC **D24/215**

(58) **Field of Classification Search**
USPC D24/200, 209, 211, 212, 213, 214, 215;
D8/14.1; D28/13, 44.1
CPC . A61H 2201/1635; A61H 23/006; A61H 1/00
See application file for complete search history.

(56) **References Cited**

U.S. PATENT DOCUMENTS

D298,775 S * 11/1988 Lee D24/214
D356,162 S * 3/1995 Spahr D24/215
D407,498 S * 3/1999 Cooper D24/215
D478,385 S * 8/2003 Dirks D24/215
D761,429 S * 7/2016 Sedic D24/141
D837,636 S * 1/2019 Wersland D8/356
D847,364 S * 4/2019 Lee D24/215
D866,790 S * 11/2019 Lee D24/215
D895,132 S * 9/2020 Hu D24/215

OTHER PUBLICATIONS

Amazon, "RENPHO C5 Mini Massage Gun", Jun. 30, 2020.
https://www.amazon.com/RENPHO-Portable-Percussion-Professional-Post-Workout/dp/B08C298RYR/ref=cm_cr_arp_d_product_top?ie=UTF8. Shown on p. 1. (Year: 2020).*

Primary Examiner — Michael A Maharajh
(74) *Attorney, Agent, or Firm* — Bayramoglu Law Offices LLC

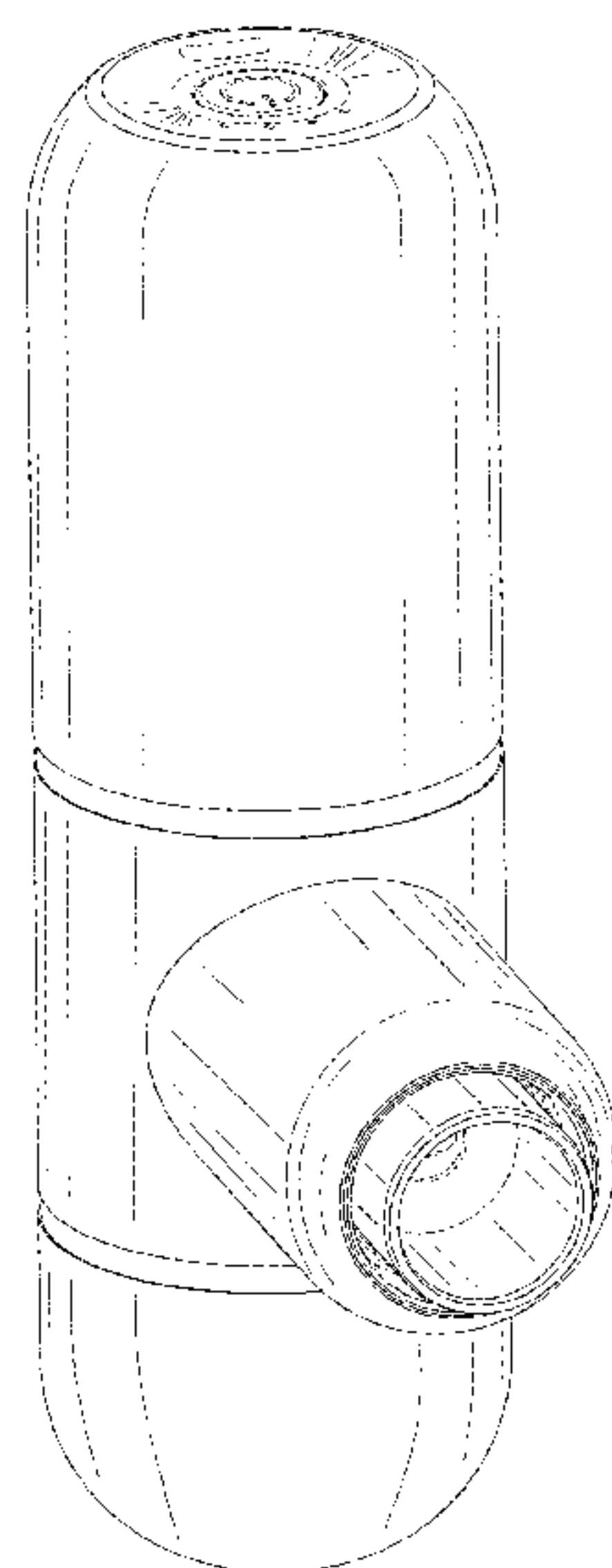
(57) **CLAIM**

The ornamental design for a massage gun, as shown and described.

DESCRIPTION

FIG. 1 is a perspective view of a massage gun showing our new design;
FIG. 2 is a front view thereof;
FIG. 3 is a rear view thereof;
FIG. 4 is a right side view thereof;
FIG. 5 is a left side view thereof;
FIG. 6 is a top view thereof; and,
FIG. 7 is a bottom view thereof.
The broken lines depict portions of the massage gun in which the design is embodied that form no part of the claimed design.

1 Claim, 7 Drawing Sheets



(56)

References Cited

U.S. PATENT DOCUMENTS

D932,045 S * 9/2021 Shen D24/215
D935,045 S * 11/2021 Zhang D24/215
2020/0000678 A1* 1/2020 Kao A61H 1/00
2020/0085675 A1* 3/2020 Lee A61H 15/0085
2020/0214930 A1* 7/2020 Wersland A61H 23/006
2020/0352821 A1* 11/2020 Wersland A61H 23/006
2020/0405574 A1* 12/2020 Wersland A61H 1/008
2021/0022955 A1* 1/2021 Wersland A61H 1/006
2021/0059898 A1* 3/2021 Wersland A61H 15/00
2021/0186800 A1* 6/2021 Wersland A61H 1/006

* cited by examiner

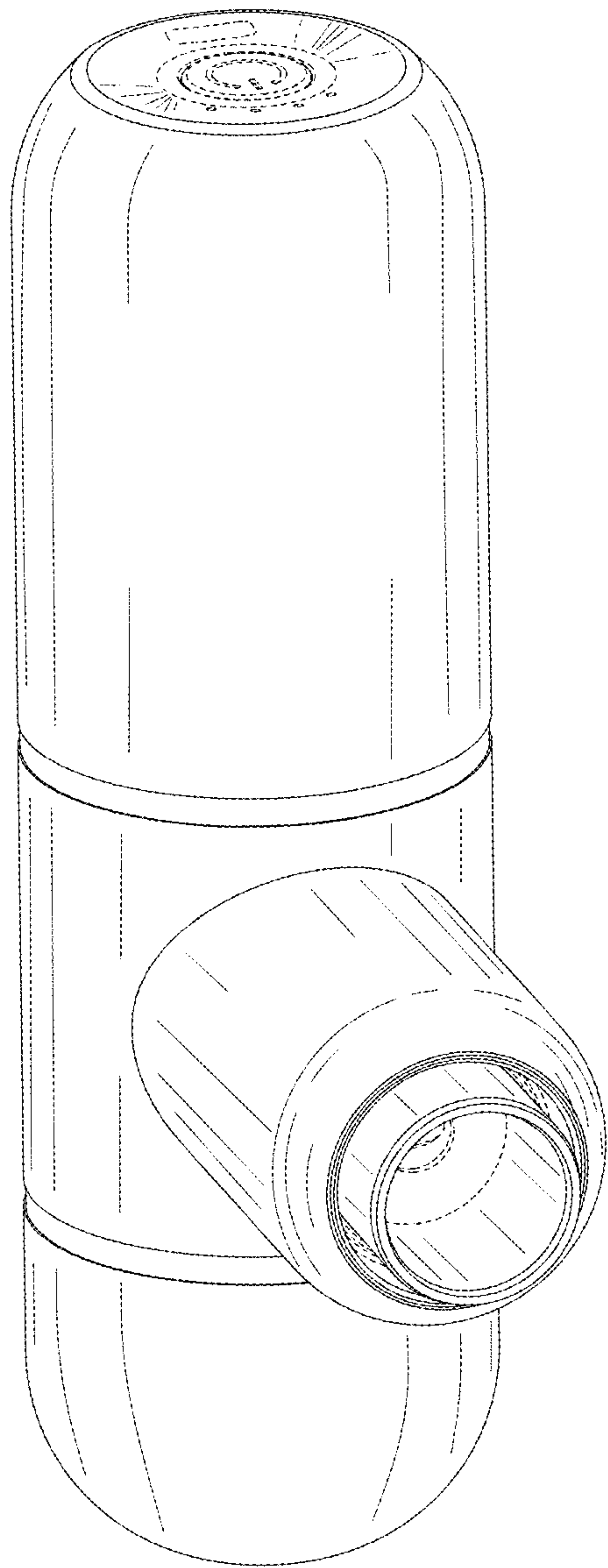


FIG. 1

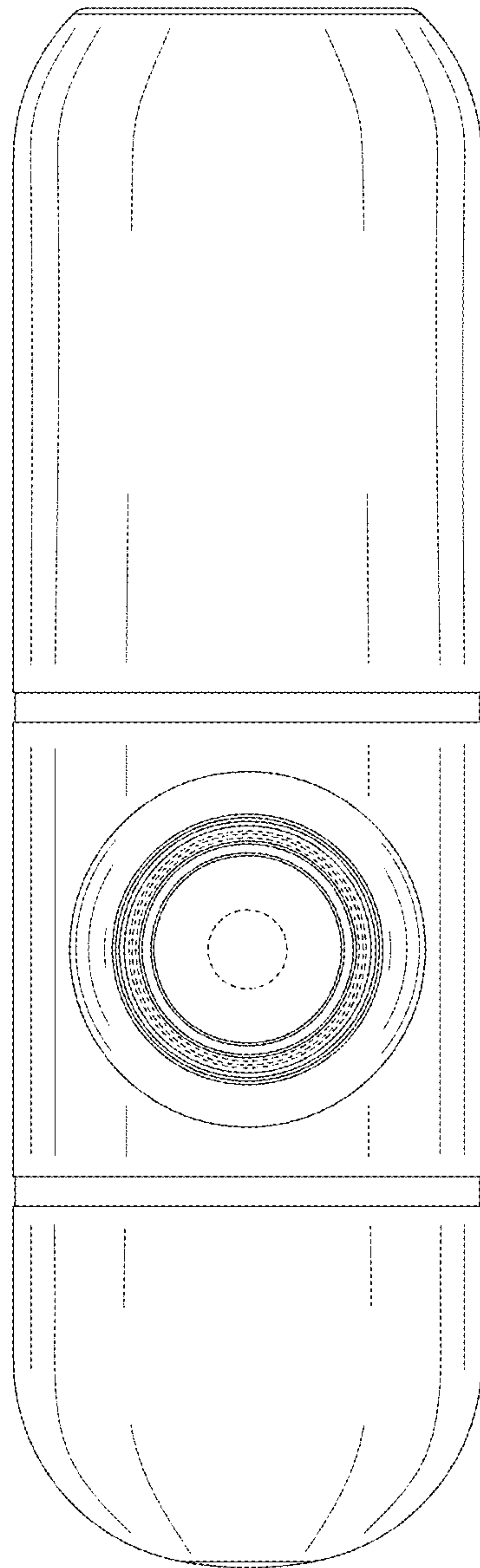


FIG. 2

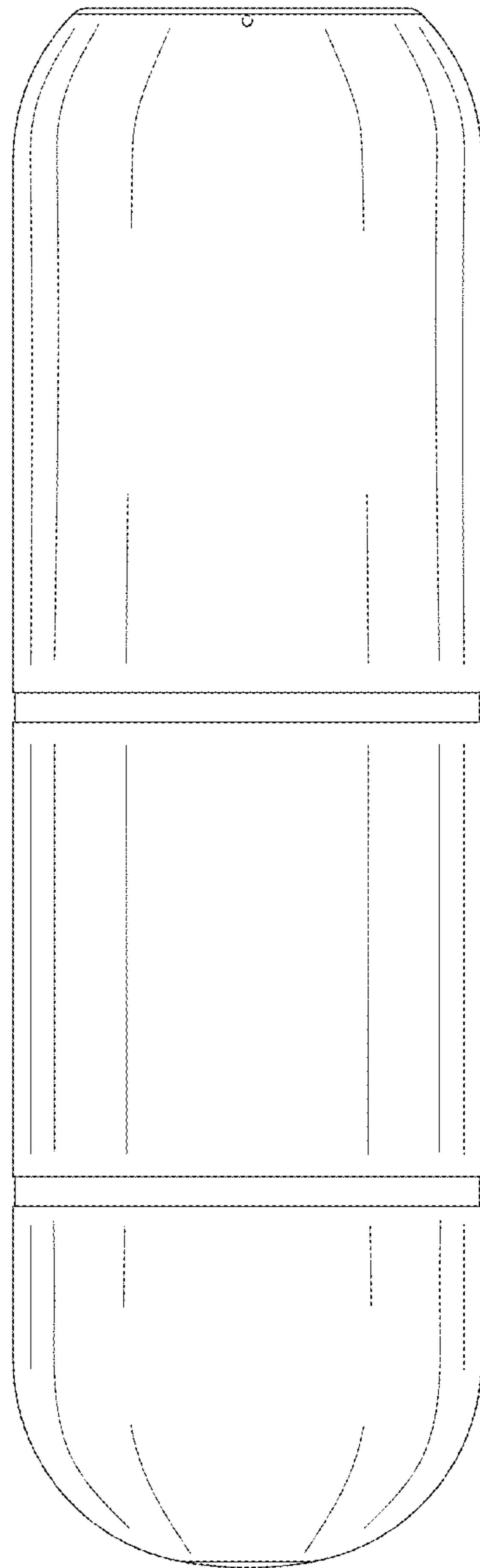


FIG. 3

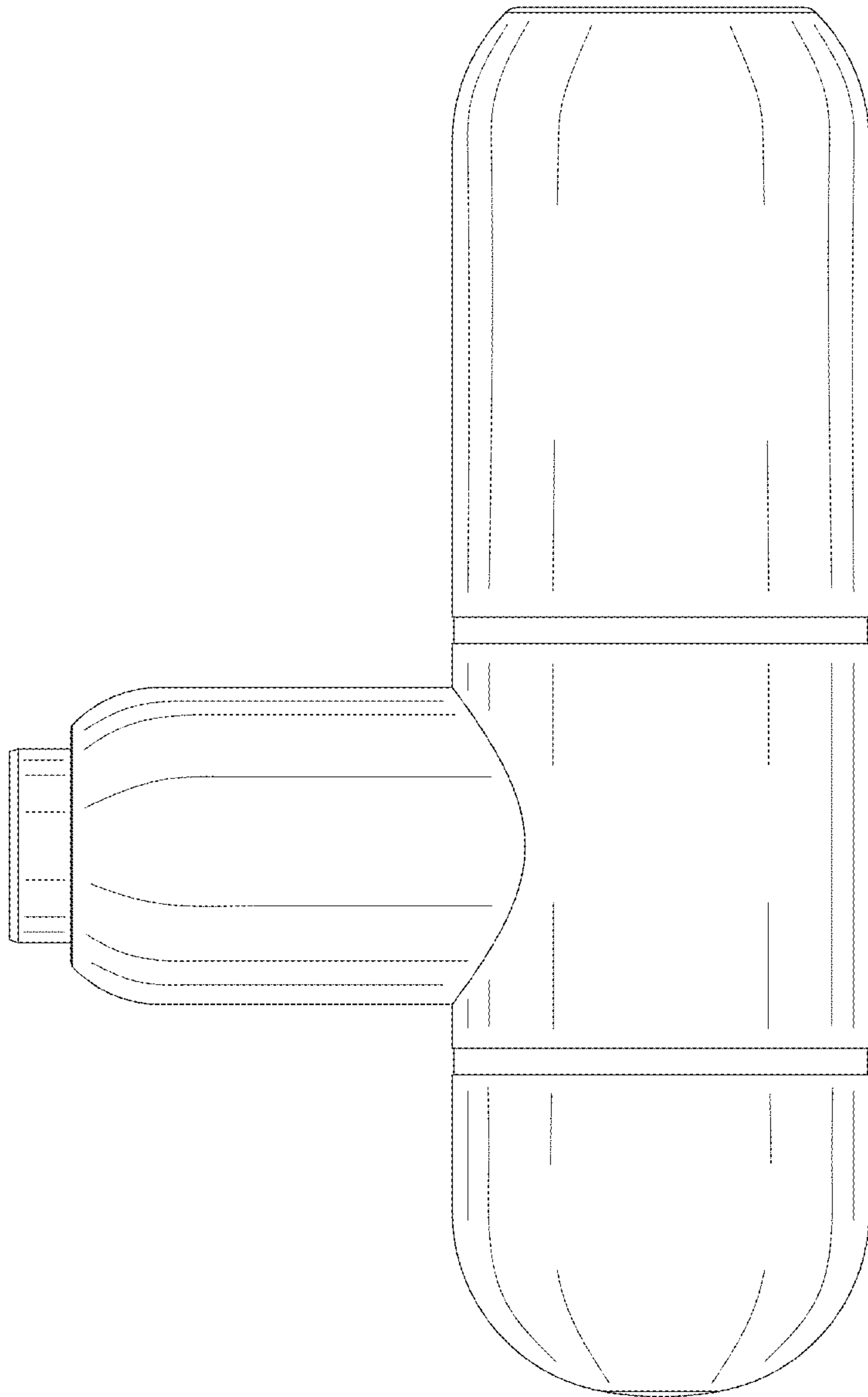


FIG. 4

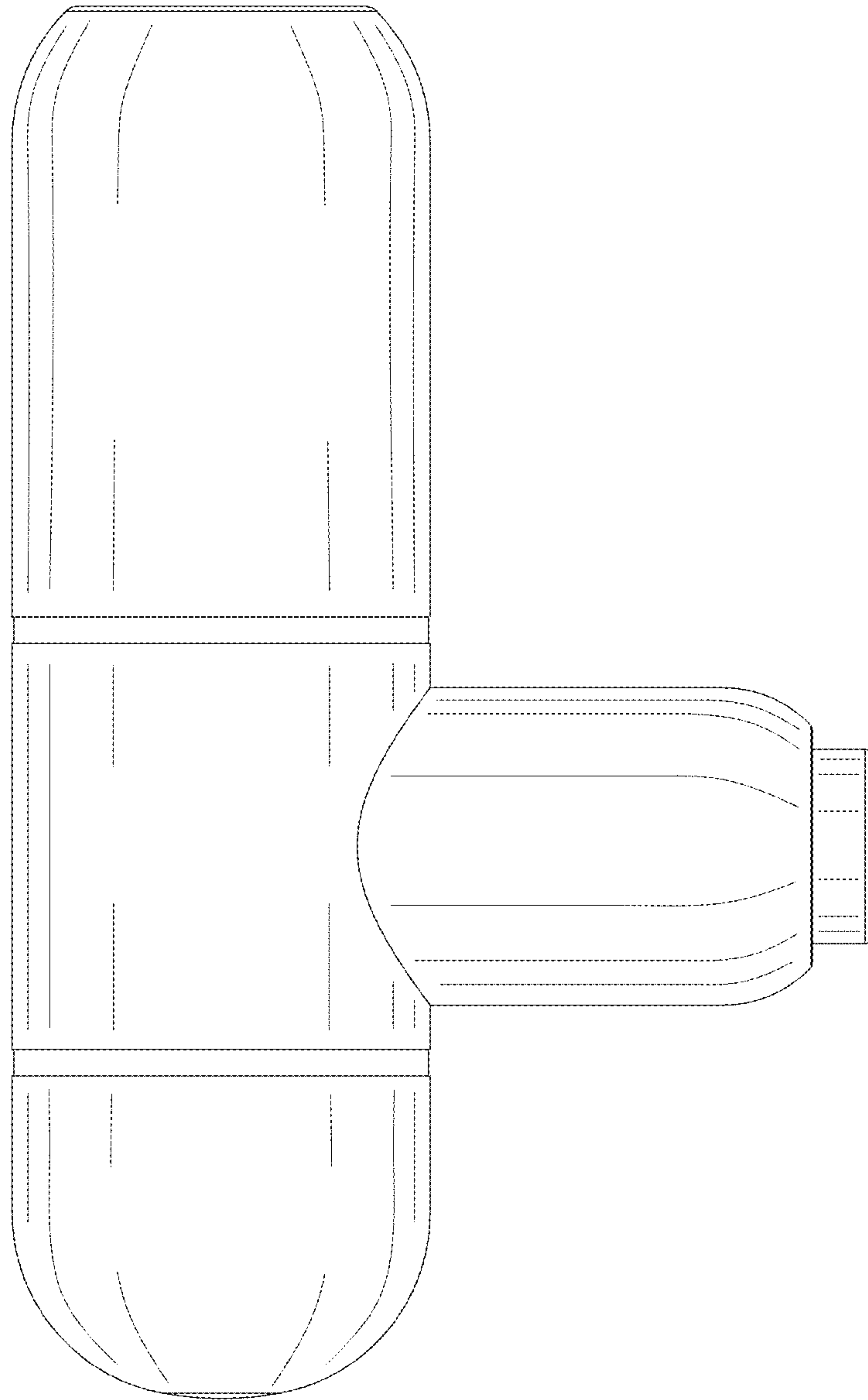


FIG. 5

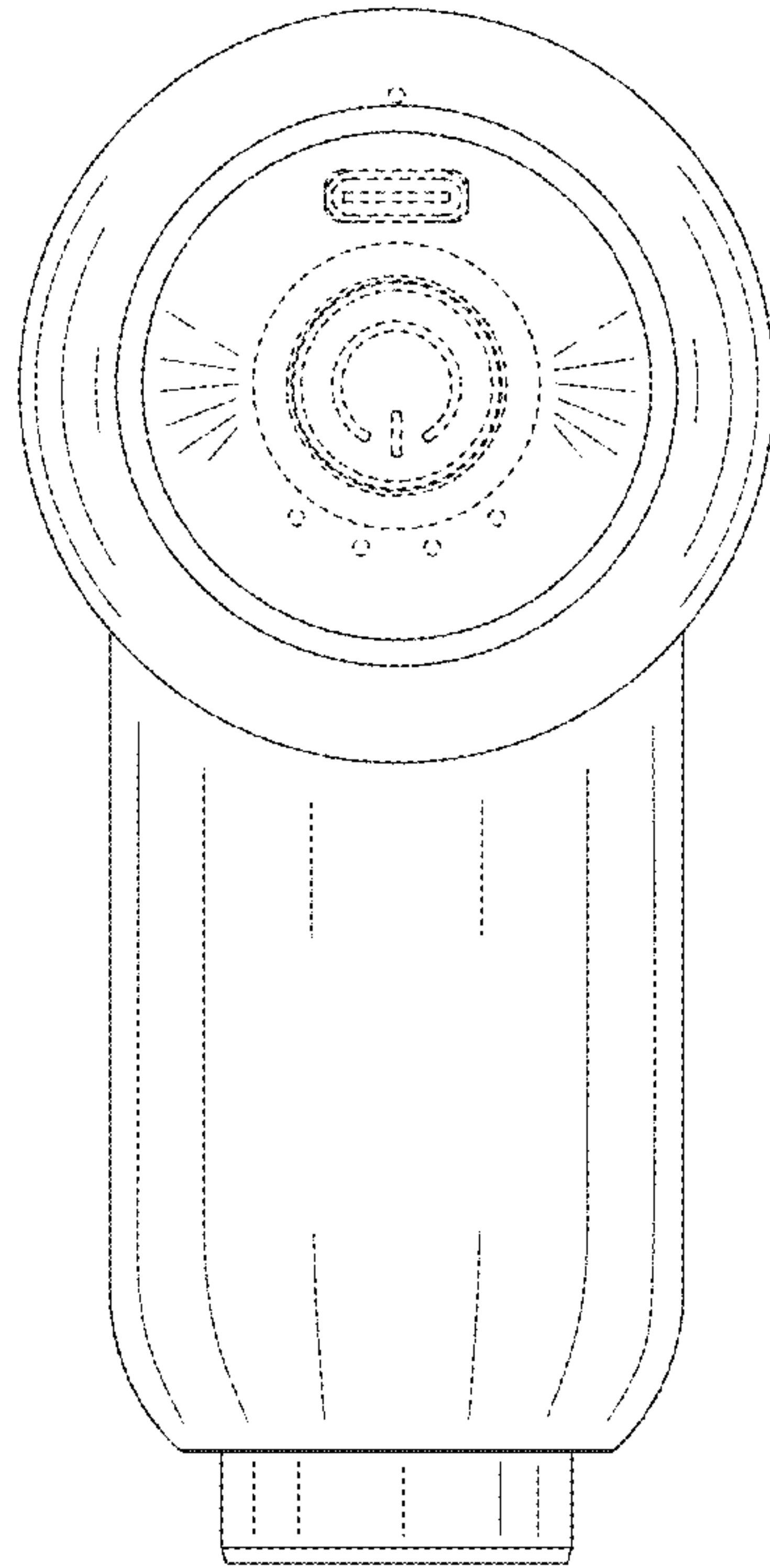


FIG. 6

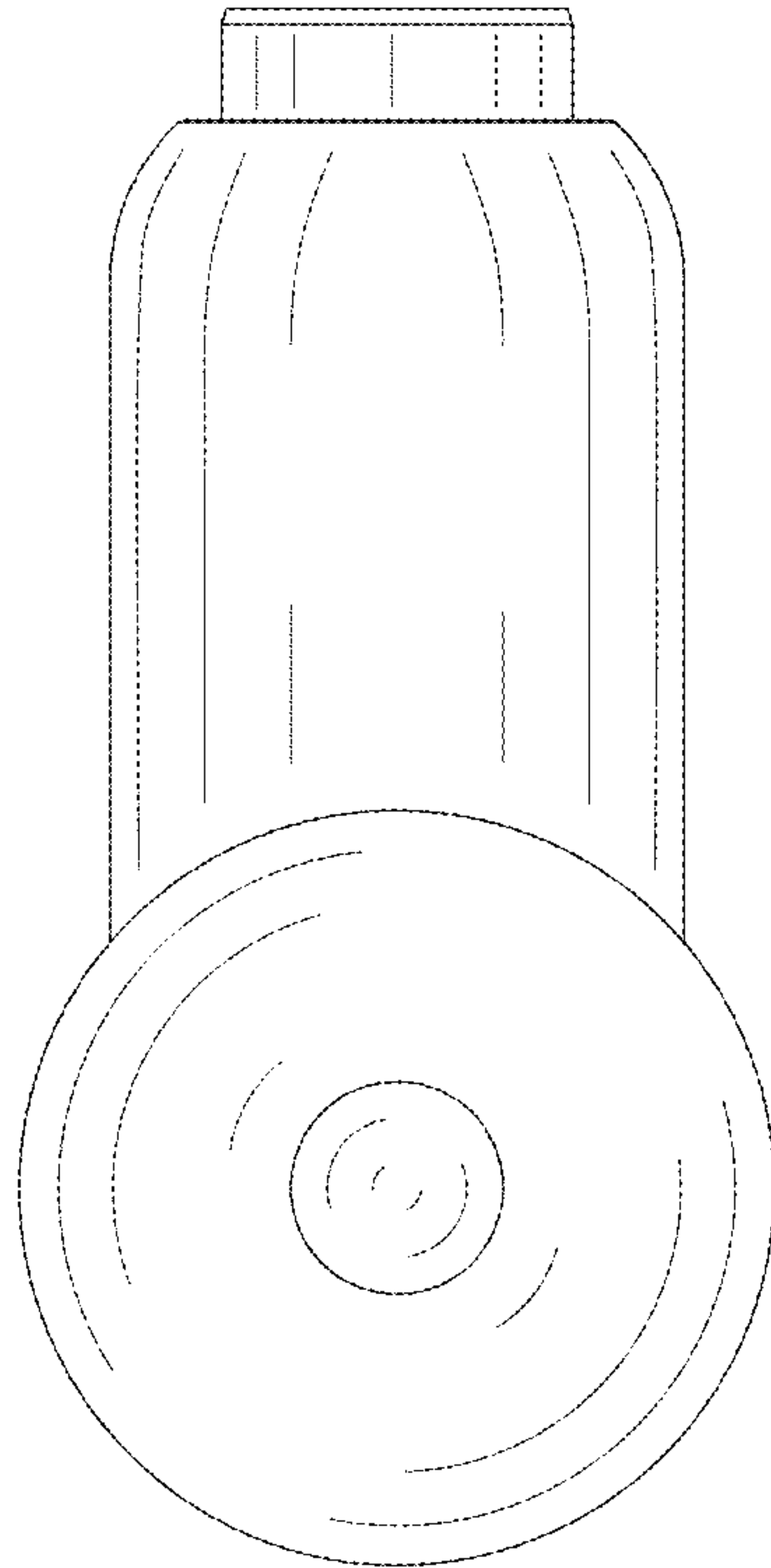


FIG. 7