



US00D949410S

(12) **United States Design Patent** (10) **Patent No.:** **US D949,410 S**  
**Cai** (45) **Date of Patent:** **\*\* Apr. 19, 2022**

(54) **BEAUTY EQUIPMENT**  
(71) Applicant: **GUANGDONG NEWDERMO BIOTECH CO., LTD**, Guangzhou (CN)  
(72) Inventor: **Qingyao Cai**, Guangzhou (CN)  
(73) Assignee: **GUANGDONG NEWDERMO BIOTECH CO., LTD**, Guangzhou (CN)  
(\*\*) Term: **15 Years**  
(21) Appl. No.: **29/744,219**  
(22) Filed: **Jul. 28, 2020**  
(30) **Foreign Application Priority Data**  
May 12, 2020 (CN) ..... 202030214911.0  
(51) **LOC (13) Cl.** ..... **28-03**  
(52) **U.S. Cl.**  
USPC ..... **D24/215**  
(58) **Field of Classification Search**  
USPC ..... D24/133, 146, 147, 200, 211, 212, 213, D24/214, 215; D9/723, 726, 727; D4/102, 127  
CPC . A61H 39/02; A61H 2015/0014; A61H 1/008  
See application file for complete search history.

(56) **References Cited**  
U.S. PATENT DOCUMENTS  
D265,247 S \* 6/1982 MacGregor ..... D24/214  
D323,034 S \* 1/1992 Reinstein ..... D24/200  
D407,498 S \* 3/1999 Cooper ..... D24/215  
D475,141 S \* 5/2003 Shin ..... D24/214  
D479,324 S \* 9/2003 Greaney ..... D24/111  
D484,606 S \* 12/2003 Ahn ..... D24/200  
D561,343 S \* 2/2008 Liang ..... D24/215

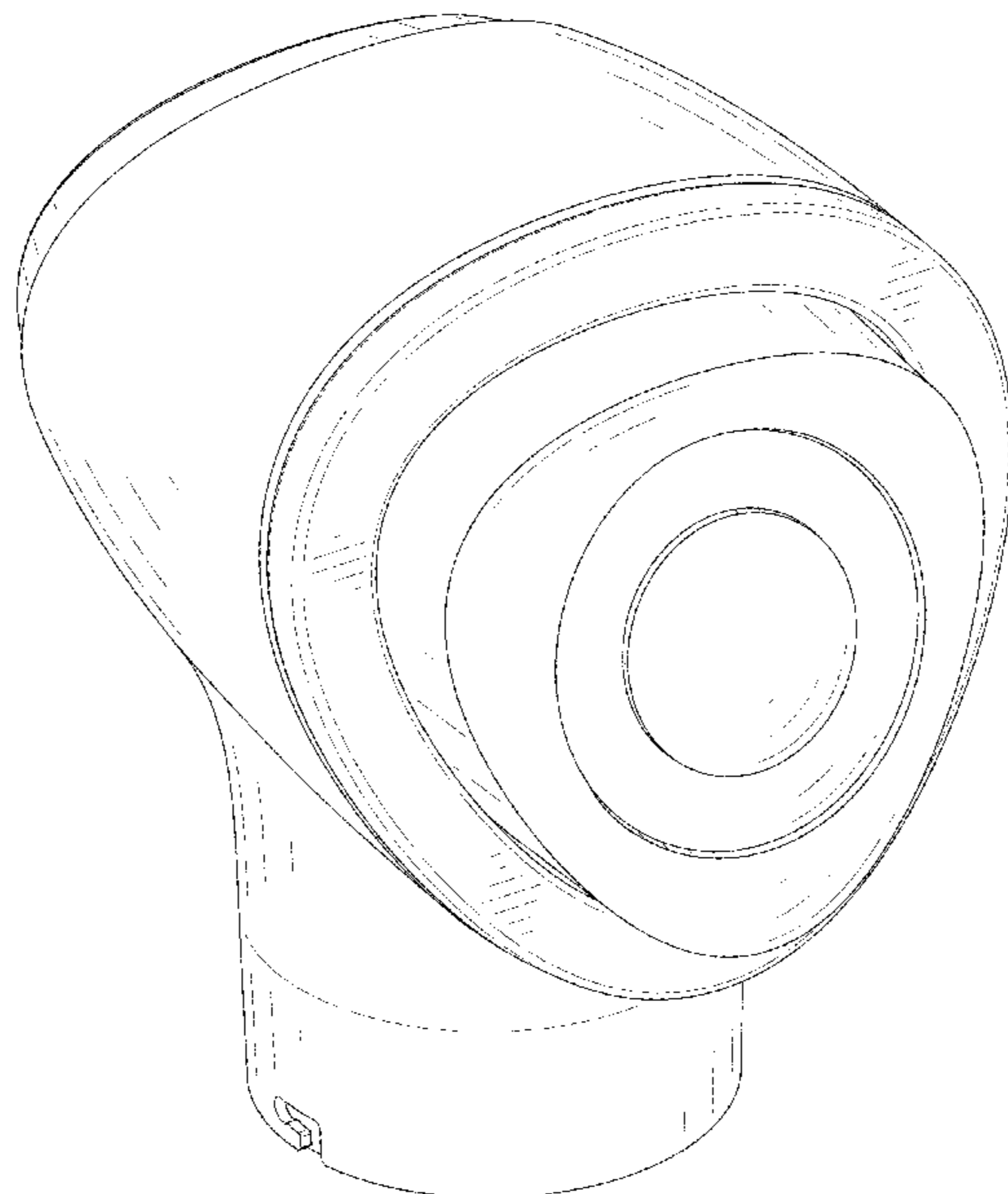
D589,650 S \* 3/2009 Adriaenssen ..... D24/133  
D609,817 S \* 2/2010 Piller ..... D24/215  
D627,080 S \* 11/2010 Fuster ..... D24/215  
D629,118 S \* 12/2010 Yeo ..... D24/214  
D684,723 S \* 6/2013 Tsai ..... D24/133  
D709,617 S \* 7/2014 Iliesco de Grimaldi .... D24/203  
D712,059 S \* 8/2014 Sedic ..... D24/215  
D766,433 S \* 9/2016 Blackledge ..... D24/146  
D768,391 S \* 10/2016 Kling ..... D4/127  
D784,703 S \* 4/2017 Grabes ..... D4/102  
D802,305 S \* 11/2017 Grabes ..... D4/102  
D804,826 S \* 12/2017 Kling ..... D4/127  
D808,076 S \* 1/2018 Gabriele ..... D28/44.1  
D828,571 S \* 9/2018 Lee ..... D24/214  
D838,860 S \* 1/2019 Lee ..... D24/214  
D840,547 S \* 2/2019 Harle ..... D24/214  
D843,656 S \* 3/2019 Zhang ..... D28/44.1  
D844,896 S \* 4/2019 Levi ..... D24/133  
D857,912 S \* 8/2019 Fuhner ..... D24/215  
D882,795 S \* 4/2020 Wait ..... D24/146  
D896,381 S \* 9/2020 Kern ..... D24/146  
(Continued)

Primary Examiner — Michael A Maharajh

(57) **CLAIM**  
The ornamental design for a beauty equipment, as shown and described.

**DESCRIPTION**  
FIG. 1 is a perspective view of a beauty equipment showing my new design;  
FIG. 2 is another perspective view thereof;  
FIG. 3 is a front elevational view thereof;  
FIG. 4 is a rear elevational view thereof;  
FIG. 5 is a left side elevational view thereof;  
FIG. 6 is a right side elevational view thereof;  
FIG. 7 is a top plan view thereof; and,  
FIG. 8 is a bottom plan view thereof.  
The broken lines in the drawings depict portions of the beauty equipment that form no part of the claimed design.

**1 Claim, 8 Drawing Sheets**



(56)

**References Cited**

U.S. PATENT DOCUMENTS

|          |   |   |         |            |       |          |
|----------|---|---|---------|------------|-------|----------|
| D904,635 | S | * | 12/2020 | Shenfarber | ..... | D24/209  |
| D908,957 | S | * | 1/2021  | Huang      | ..... | D24/214  |
| D912,323 | S | * | 3/2021  | An         | ..... | D28/44.1 |
| D924,424 | S | * | 7/2021  | Wang       | ..... | D24/215  |
| D925,746 | S | * | 7/2021  | Tseng      | ..... | D24/206  |
| D932,045 | S | * | 9/2021  | Shen       | ..... | D24/215  |
| D935,045 | S | * | 11/2021 | Zhang      | ..... | D24/215  |

\* cited by examiner

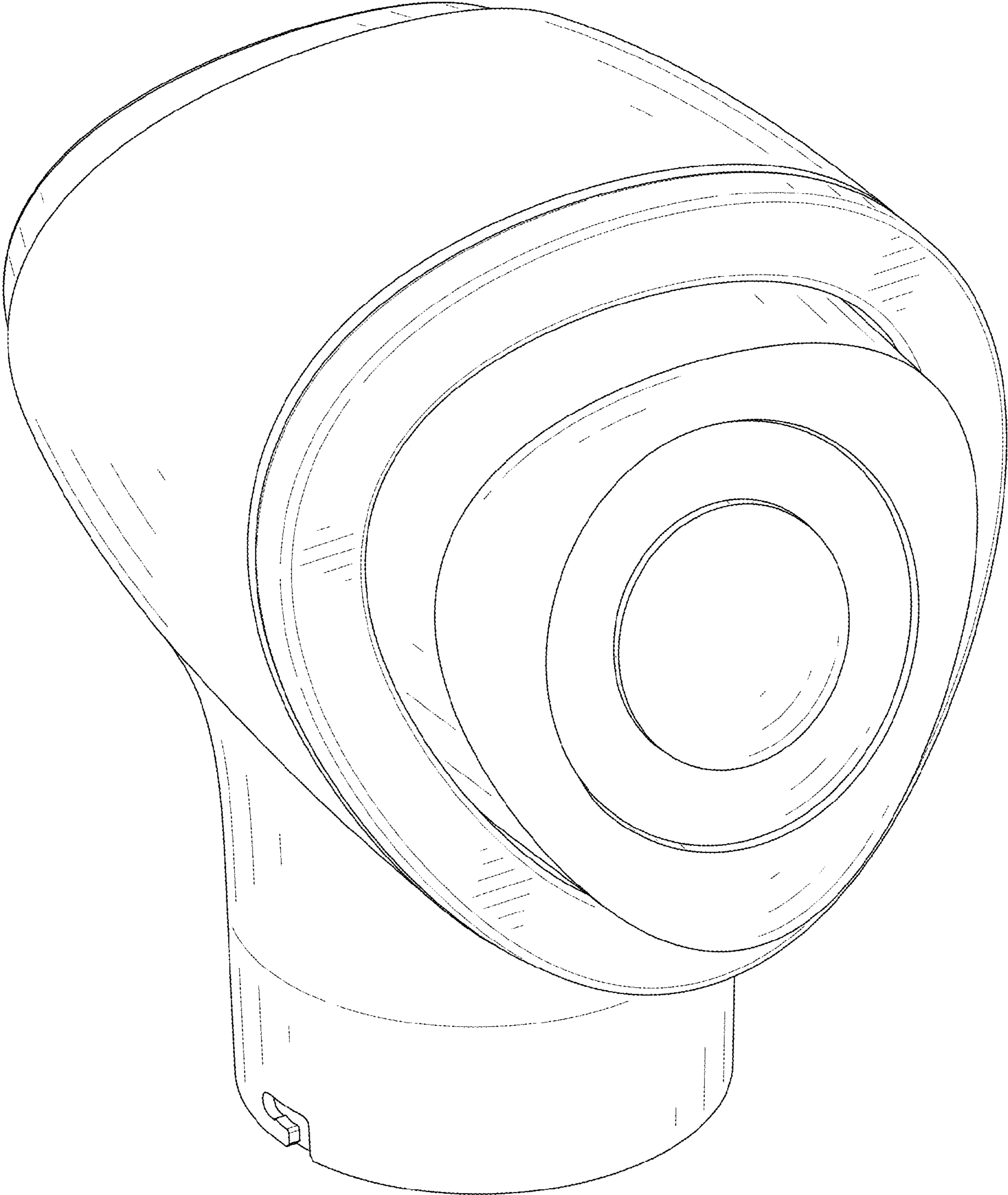


FIG. 1

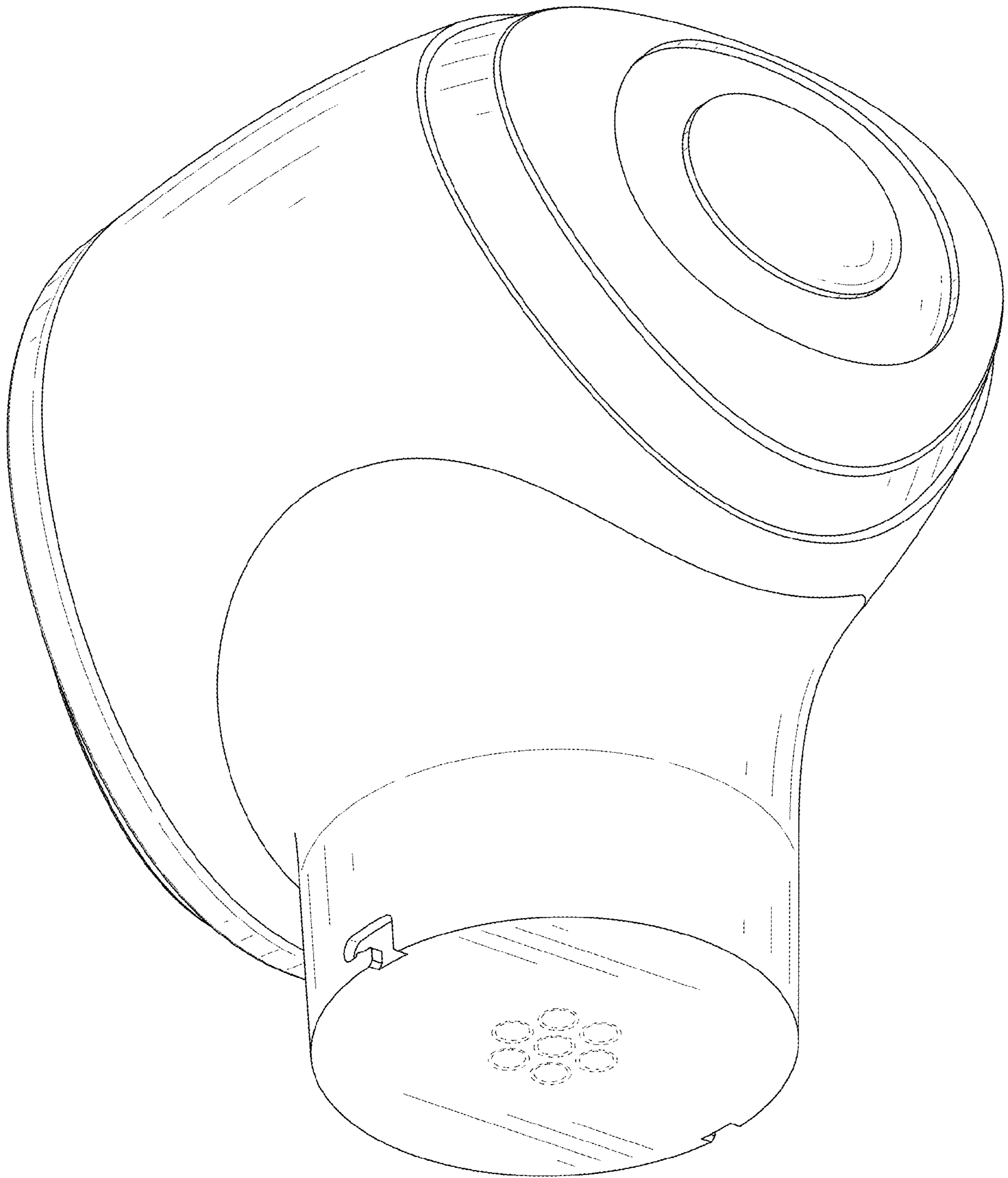


FIG. 2

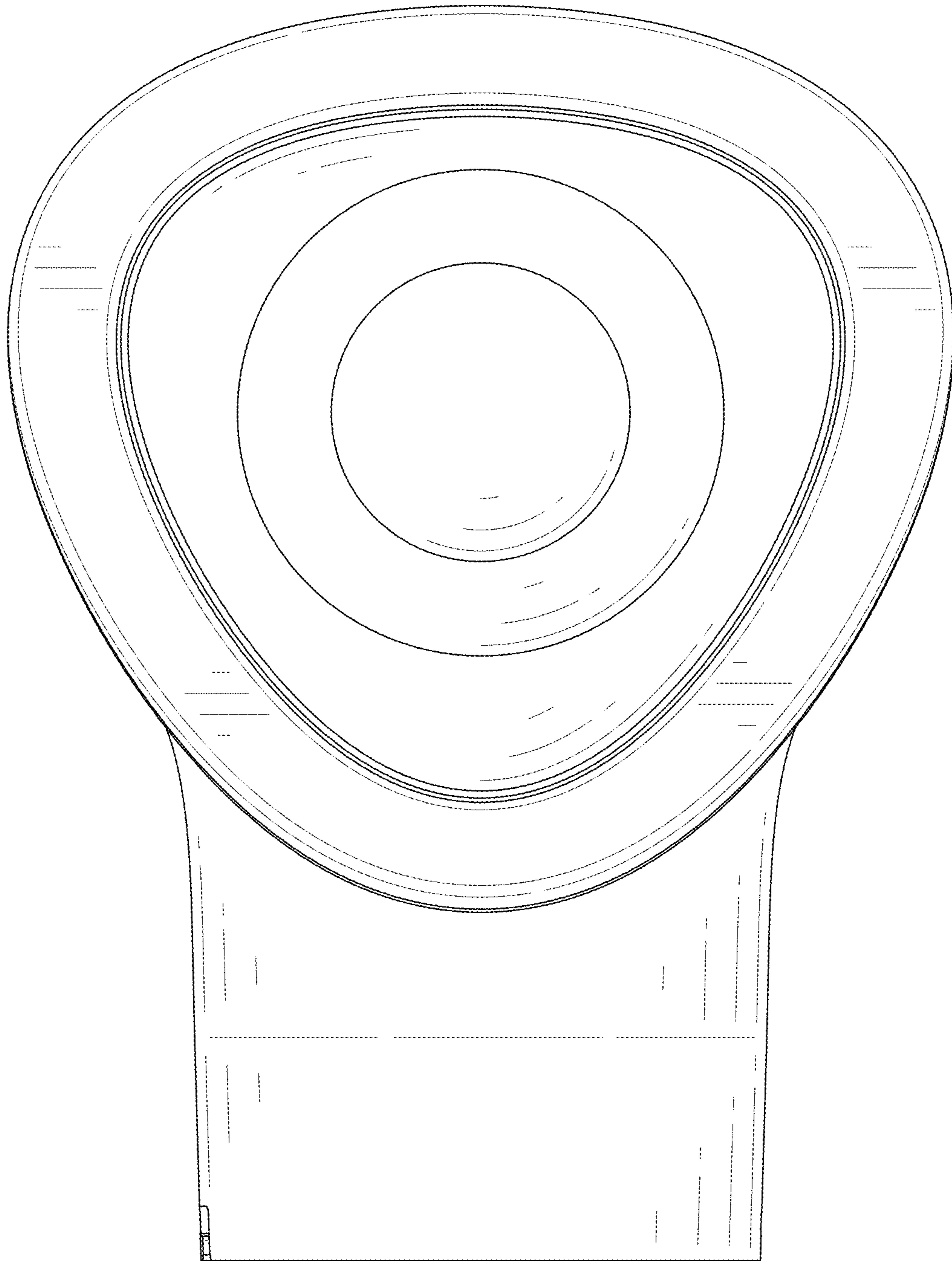


FIG. 3

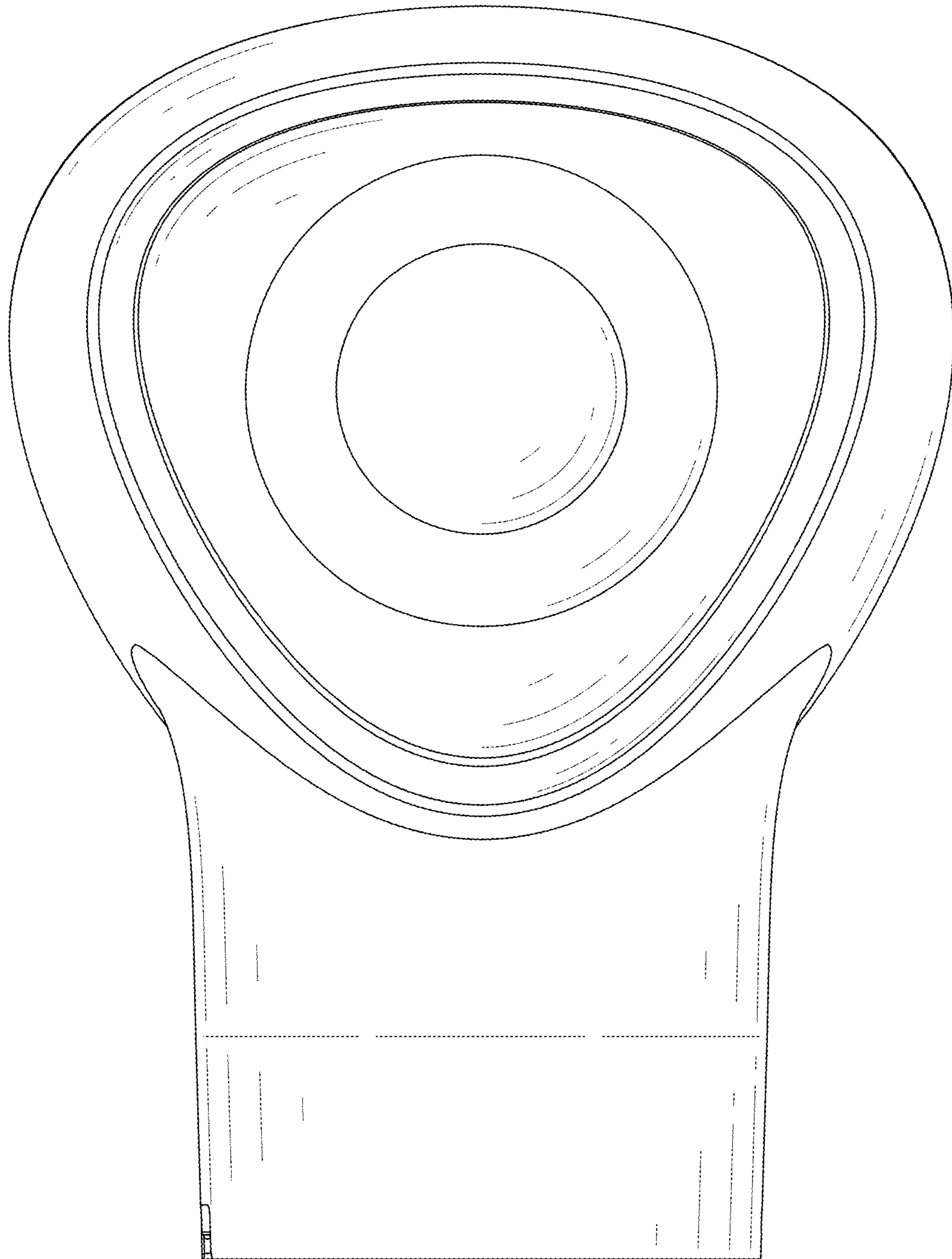


FIG. 4

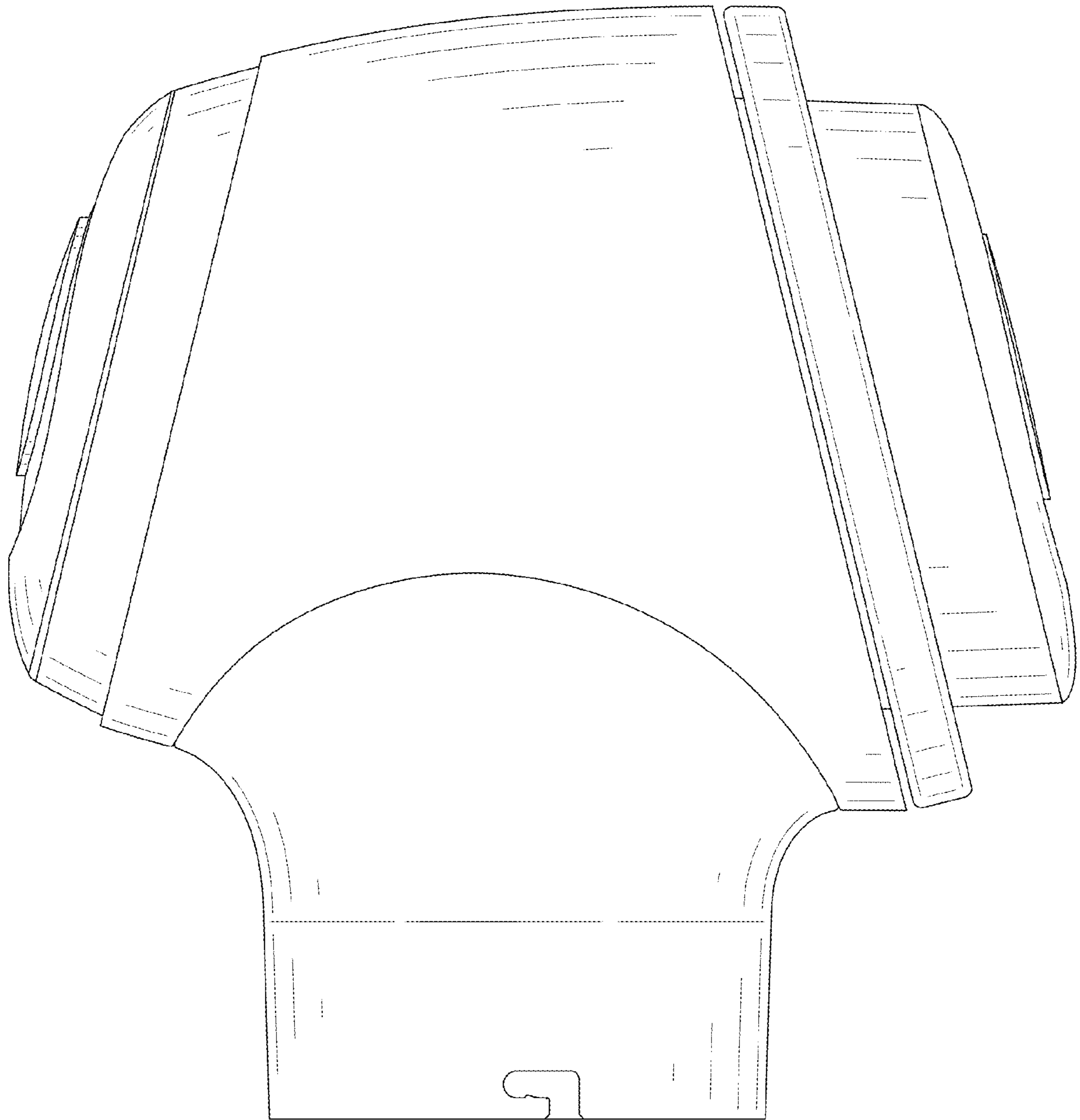


FIG. 5

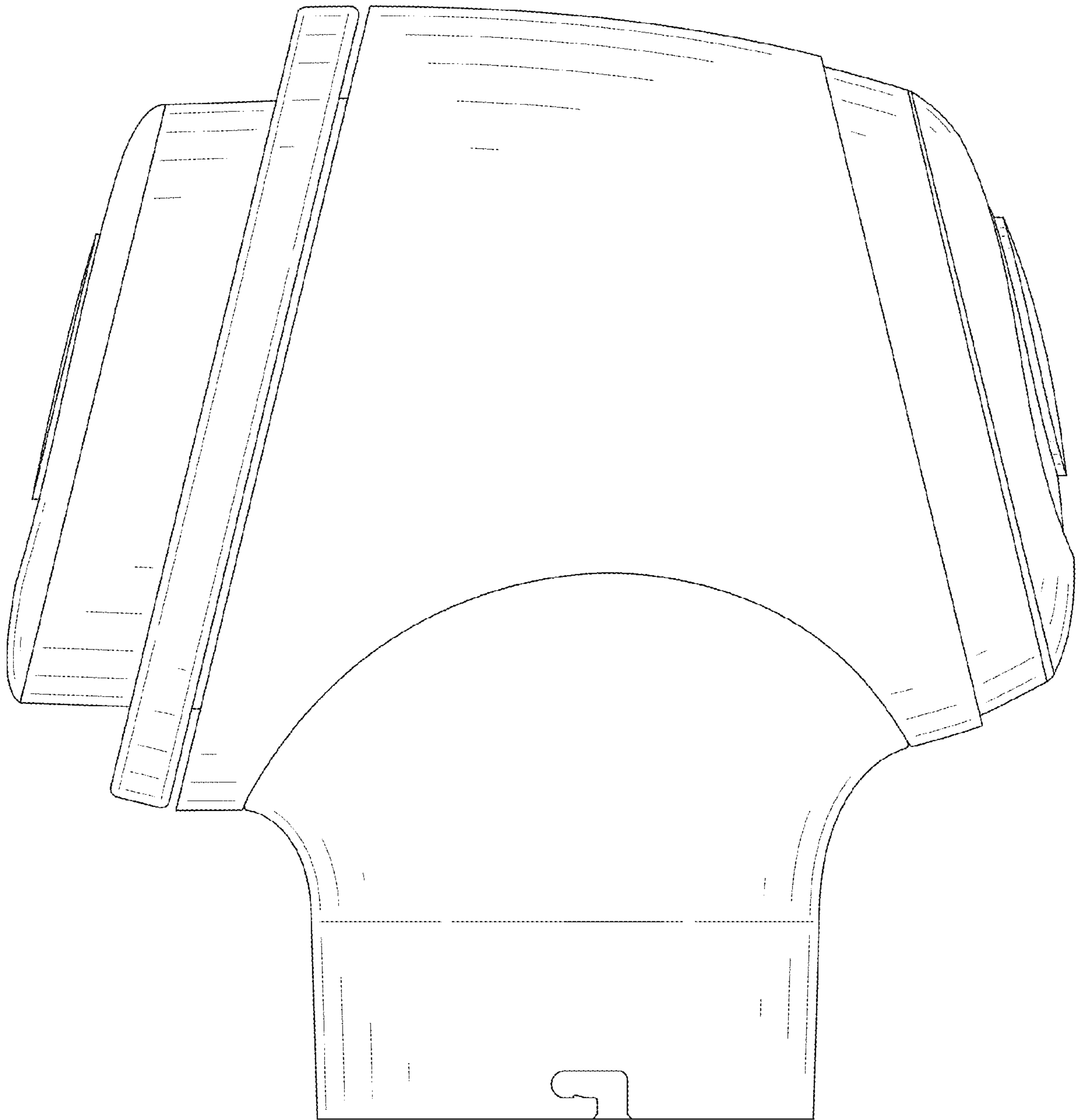


FIG. 6



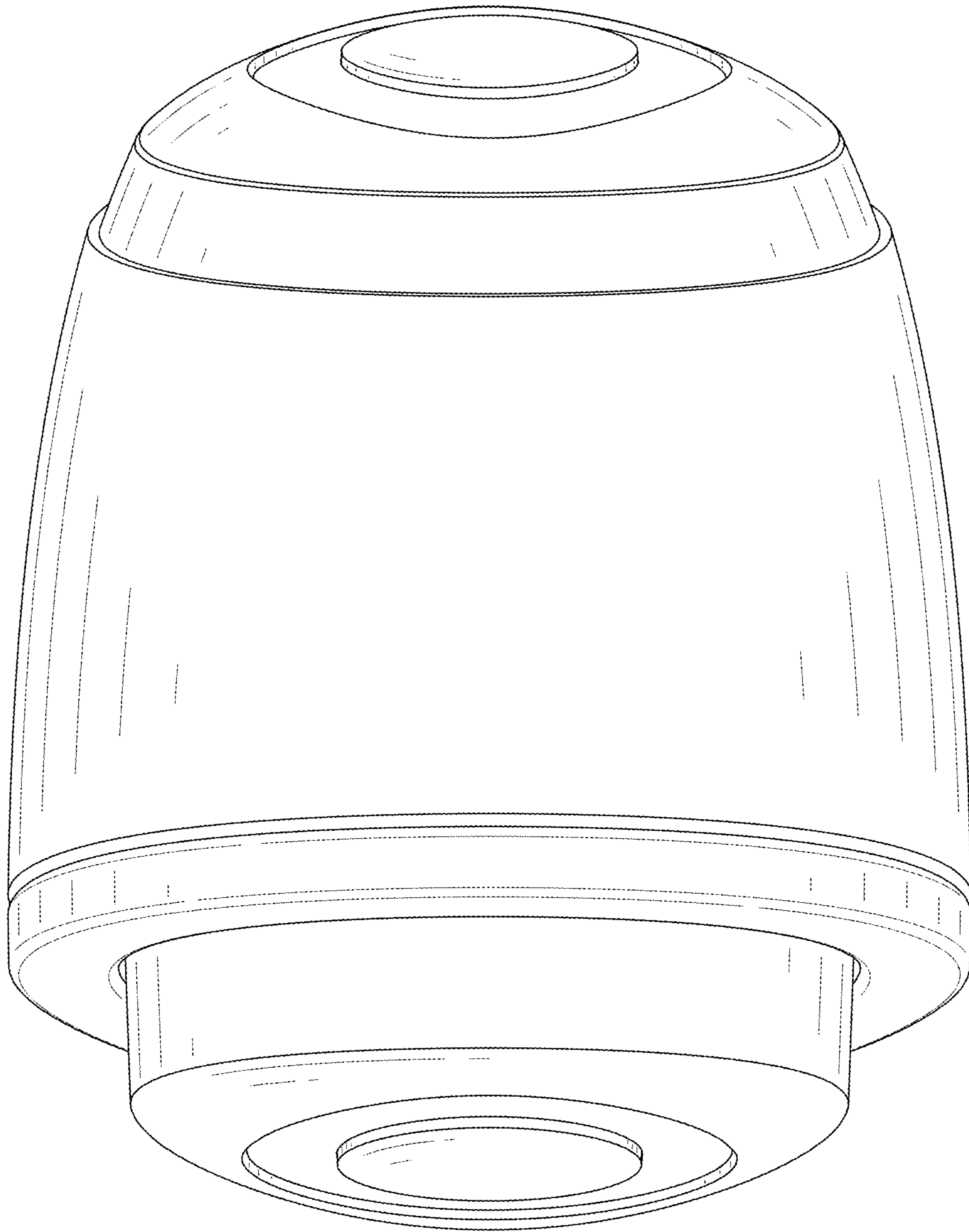


FIG. 7

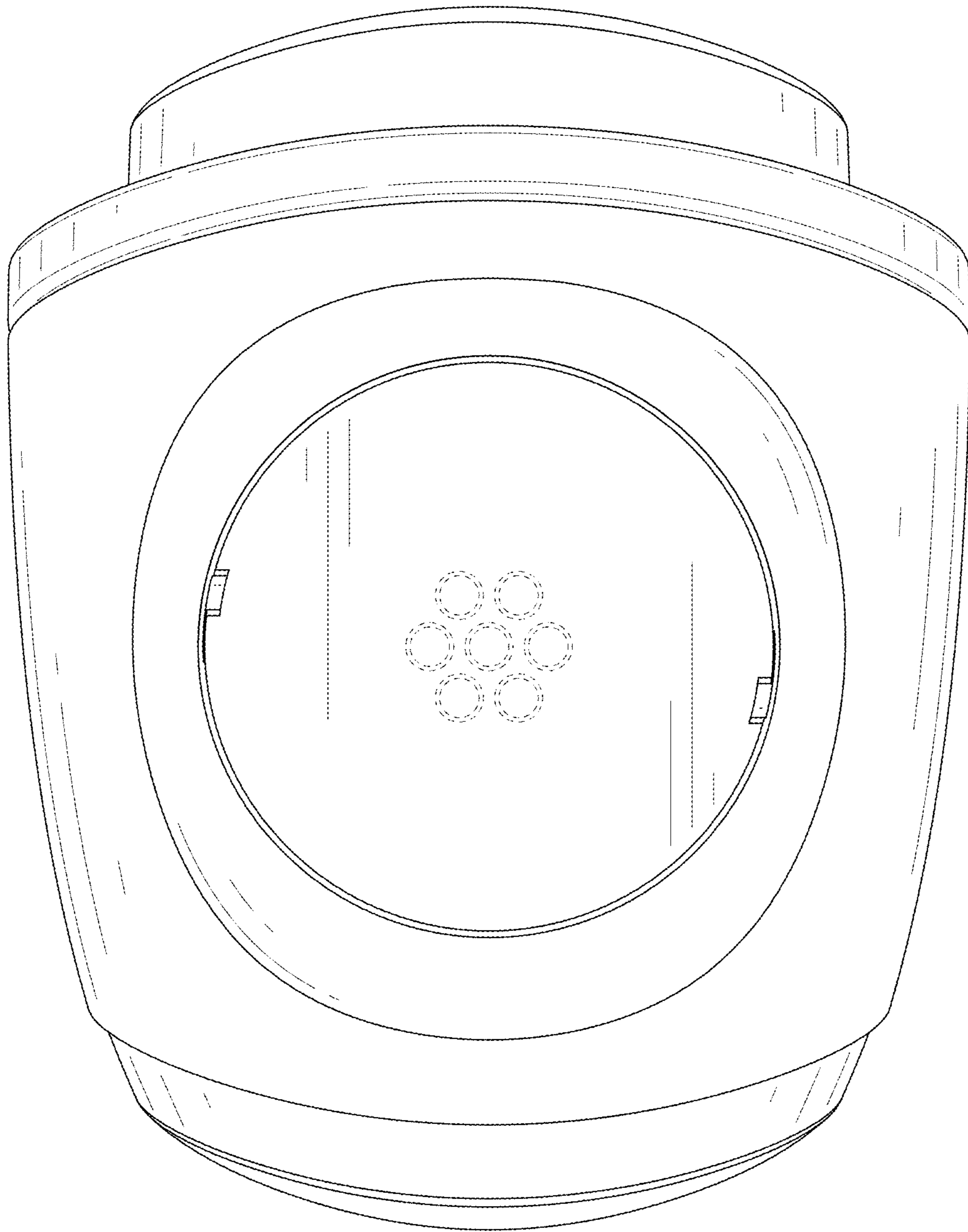


FIG. 8