



US00D949408S

(12) **United States Design Patent** (10) **Patent No.:** **US D949,408 S**
Ren (45) **Date of Patent:** **** Apr. 19, 2022**

(54) **FOOT MASSAGER**
(71) Applicant: **Shenzhen Mondial Technology Co., Ltd.**, Guangdong (CN)
(72) Inventor: **Changhui Ren**, Guangdong (CN)
(**) Term: **15 Years**
(21) Appl. No.: **29/743,279**
(22) Filed: **Jul. 21, 2020**
(51) **LOC (13) Cl.** **28-03**
(52) **U.S. Cl.**
USPC **D24/215; D24/213**
(58) **Field of Classification Search**
USPC D24/133, 200, 203, 205, 211, 212, 213,
D24/214, 215; D6/349
CPC A61H 2201/164; A61H 2205/125; A61H
35/00; A61H 1/0266
See application file for complete search history.

D535,402 S * 1/2007 Lifeng D24/200
D535,751 S * 1/2007 Lifeng D24/200
D537,949 S * 3/2007 Lie D24/213
D541,944 S * 5/2007 Chang D24/213
D542,927 S * 5/2007 Harris D24/212
D548,353 S * 8/2007 Maesawa D24/212
7,273,461 B2 * 9/2007 Baek A61H 9/0078
601/134
D584,826 S * 1/2009 Ng D24/213
D590,065 S * 4/2009 Yuyama D24/212
D643,127 S * 8/2011 Lim D24/213
D648,859 S * 11/2011 Ng D24/212
D652,940 S * 1/2012 Byle D24/215
D717,962 S * 11/2014 Chen D24/213
D783,847 S * 4/2017 Galati, Jr. D24/204
D825,768 S * 8/2018 Cai D24/200
D880,711 S * 4/2020 Xu D24/213
D923,189 S * 6/2021 Cai D24/213
D932,644 S * 10/2021 Yao D24/213
2003/0070222 A1 * 4/2003 Bastia A61H 15/0078
4/622

(Continued)

Primary Examiner — Michael A Maharajh
(74) *Attorney, Agent, or Firm* — Prakash Nama; Global IP Services, PLLC

(56) **References Cited**
U.S. PATENT DOCUMENTS

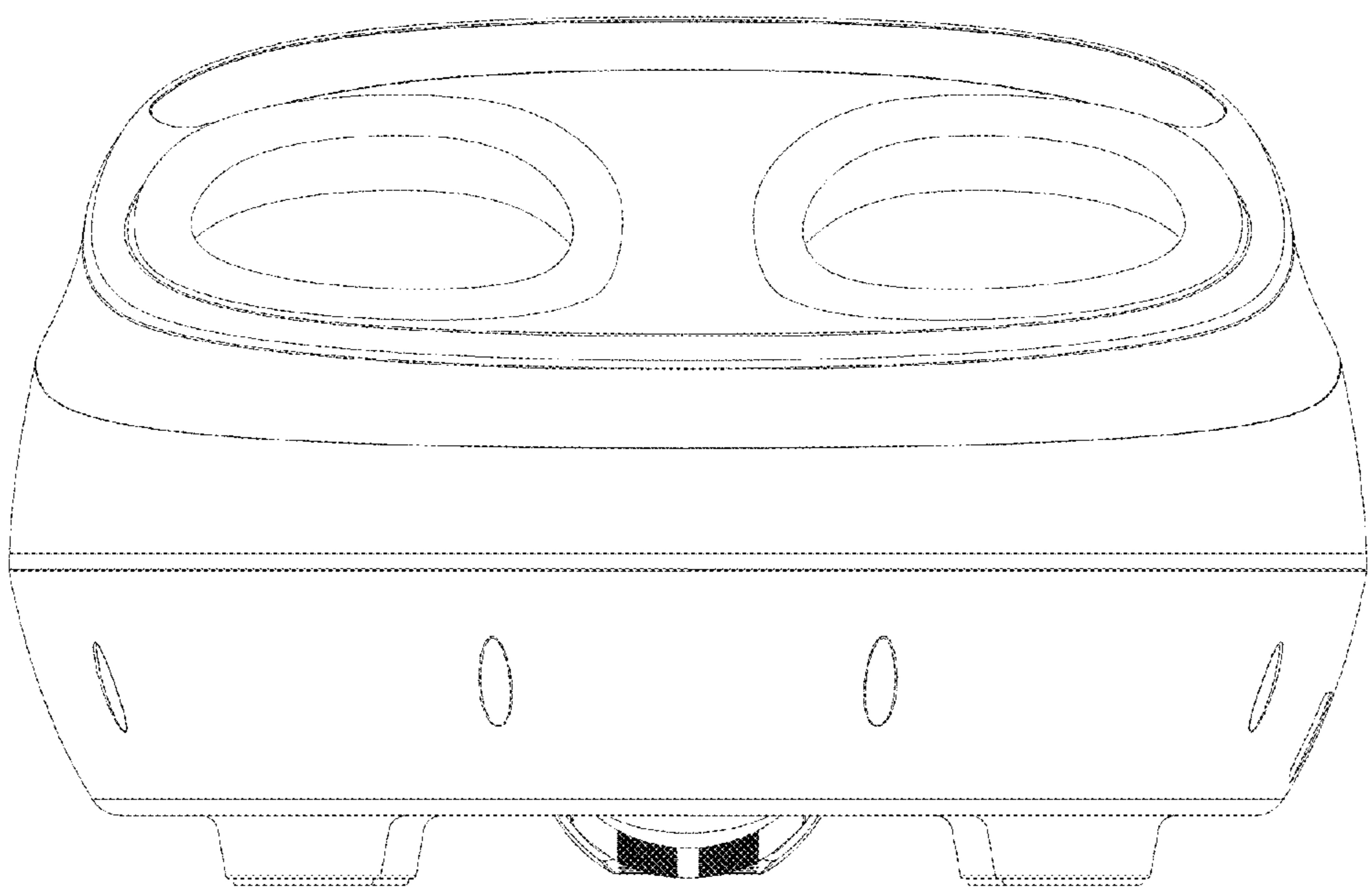
D285,003 S * 8/1986 Madl D24/205
D363,555 S * 10/1995 Lie D24/213
D390,963 S * 2/1998 Scholpp D24/213
D405,535 S * 2/1999 Schulz D24/213
D419,682 S * 1/2000 Lie D24/213
D436,180 S * 1/2001 Lie D24/213
D453,836 S * 2/2002 Gillette D24/213
D455,498 S * 4/2002 Gillette D24/213
D460,826 S * 7/2002 Lie D24/213
D473,317 S * 4/2003 Lie D24/213
6,568,000 B1 * 5/2003 Kaufman A47K 3/022
4/541.5
D477,415 S * 7/2003 Miyake D24/212
D478,670 S * 8/2003 Tsai D24/212
D487,514 S * 3/2004 Lie D24/213
D487,515 S * 3/2004 Lie D24/213

(57) **CLAIM**
The ornamental design for a foot massager, as shown.

DESCRIPTION

FIG. 1 is a front elevational view of a foot massager showing my new design;
FIG. 2 is a rear elevational view thereof;
FIG. 3 is a left side view thereof;
FIG. 4 is a right side view thereof;
FIG. 5 is a top plan view thereof;
FIG. 6 is a bottom plan view thereof;
FIG. 7 is a perspective view thereof; and,
FIG. 8 is another perspective view thereof.

1 Claim, 8 Drawing Sheets



(56)

References Cited

U.S. PATENT DOCUMENTS

2003/0126679 A1* 7/2003 Leung A47K 3/022
4/622
2007/0078362 A1* 4/2007 Chen A61H 15/0078
601/94
2007/0232968 A1* 10/2007 Watanabe A61H 7/001
601/90
2007/0267020 A1* 11/2007 Harris A61H 23/00
128/205.24
2017/0258675 A1* 9/2017 Zou A61H 1/005

* cited by examiner

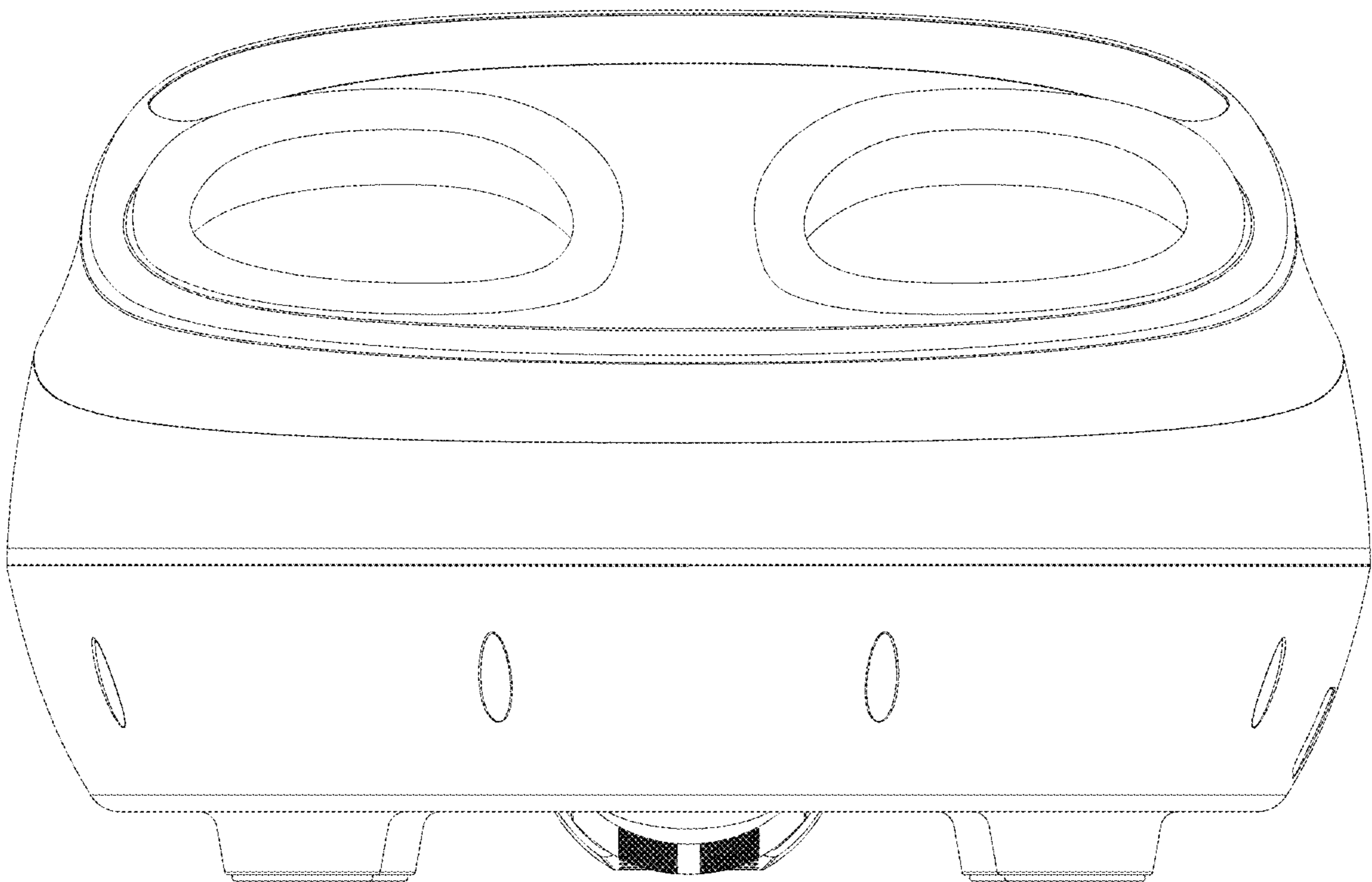


FIG. 1

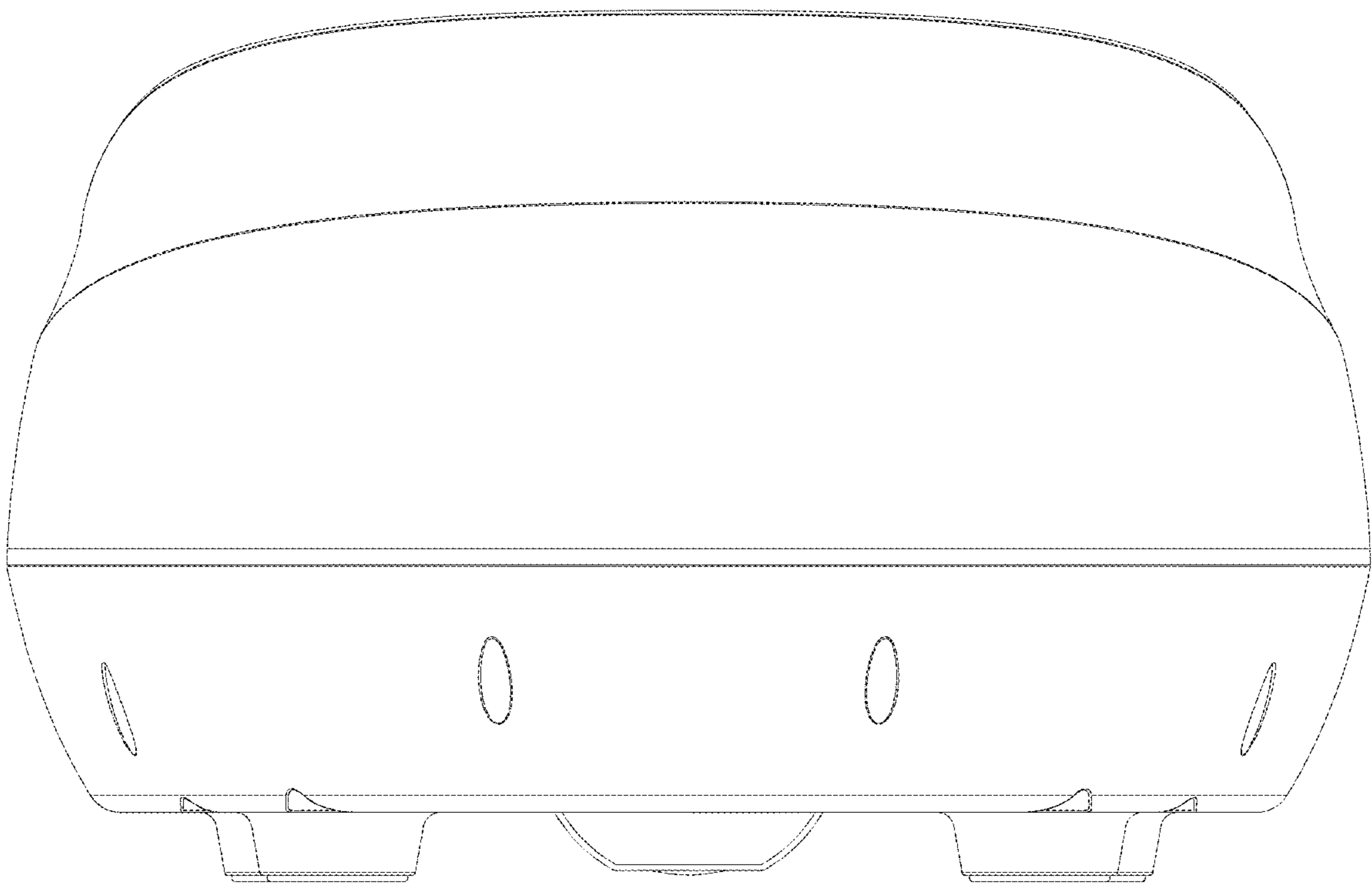


FIG. 2

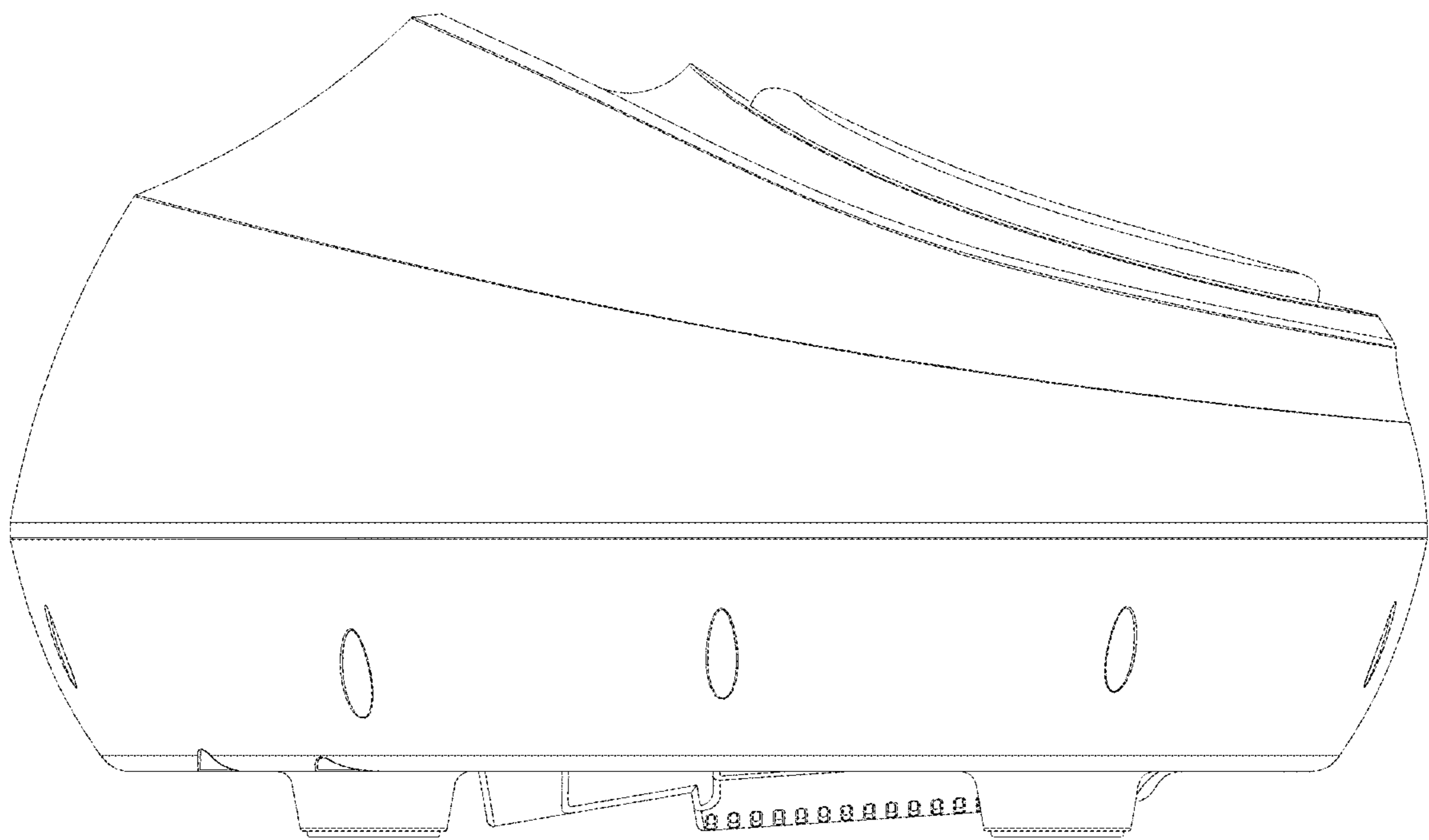


FIG. 3

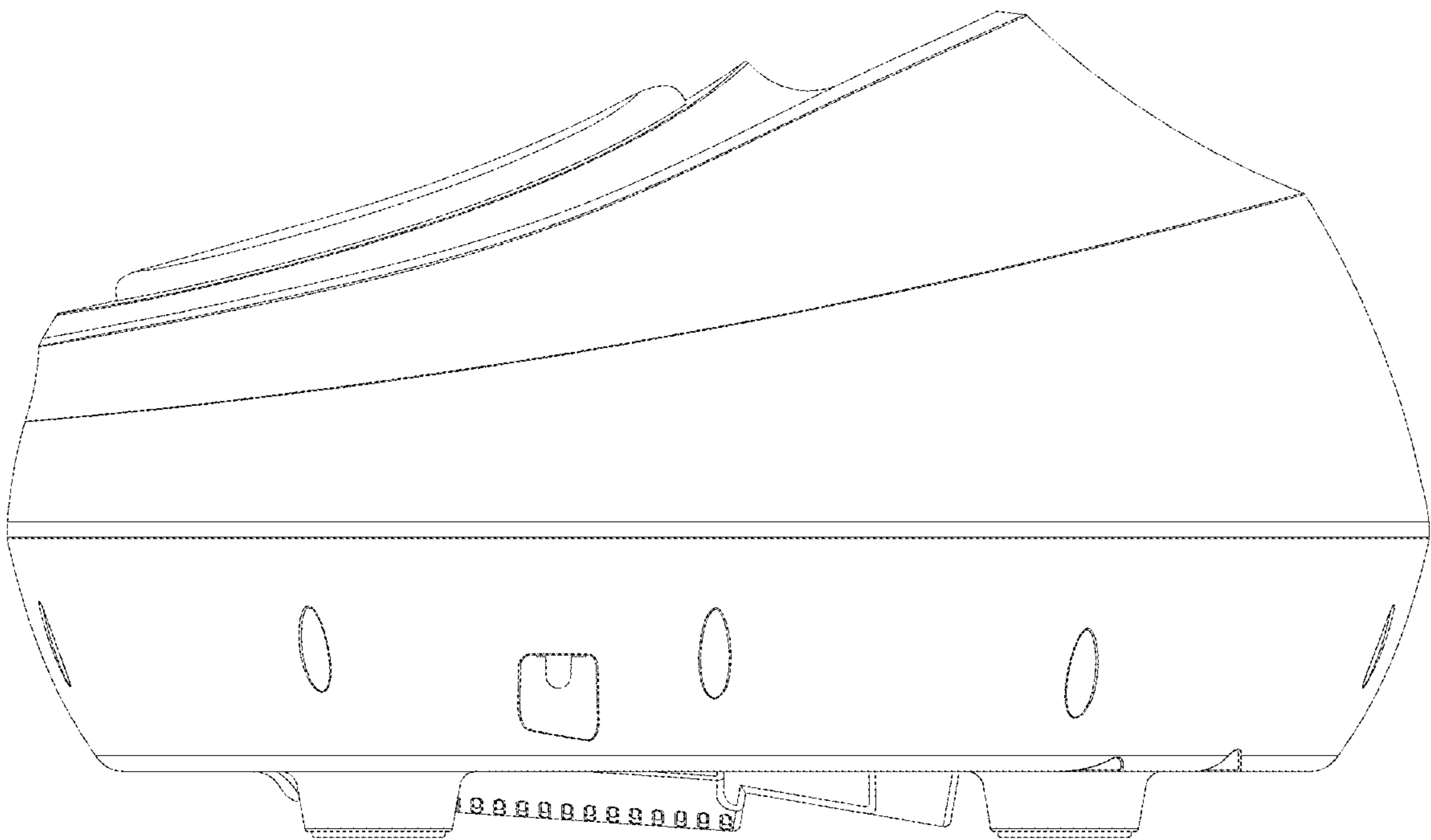


FIG. 4

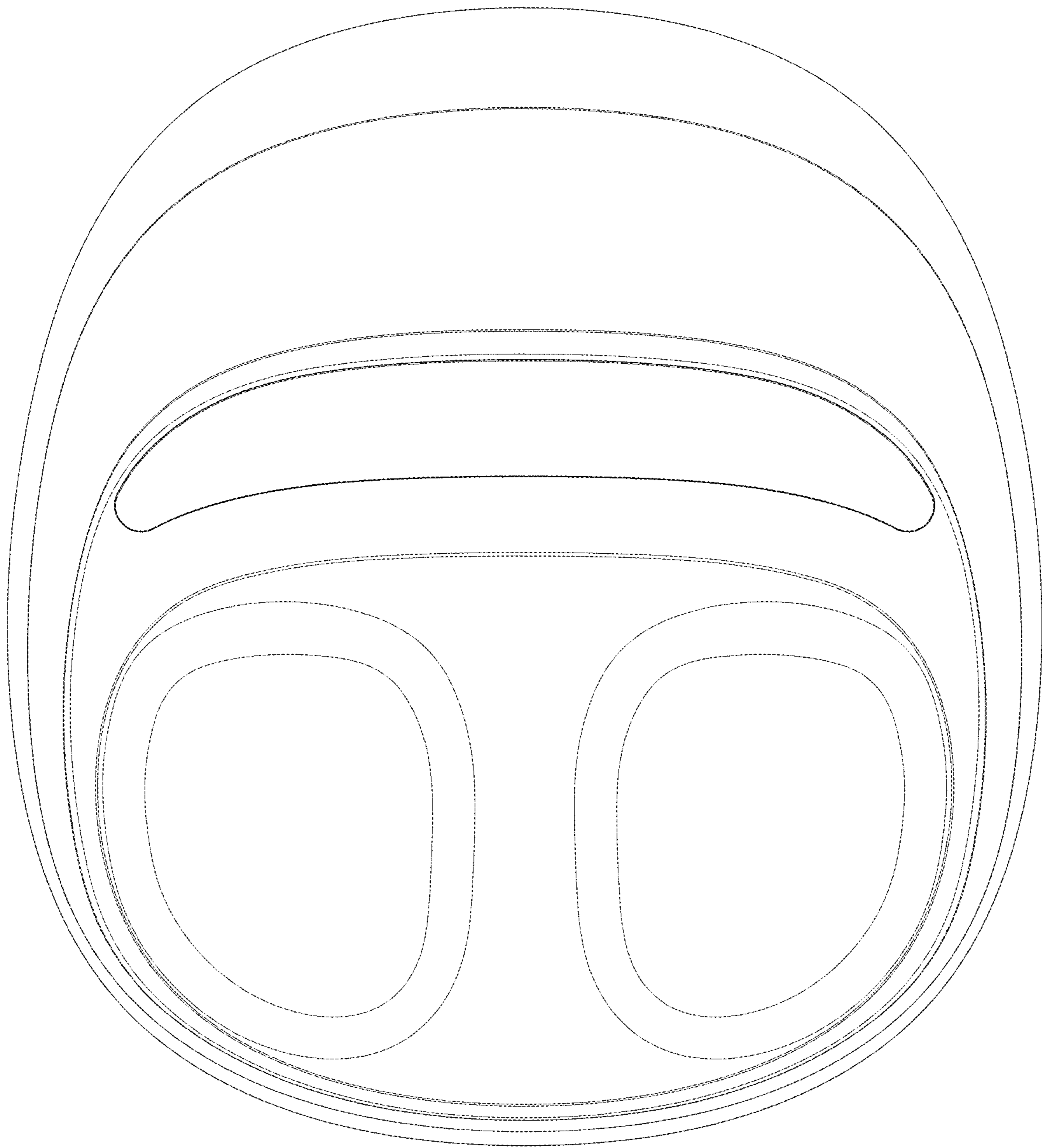


FIG. 5

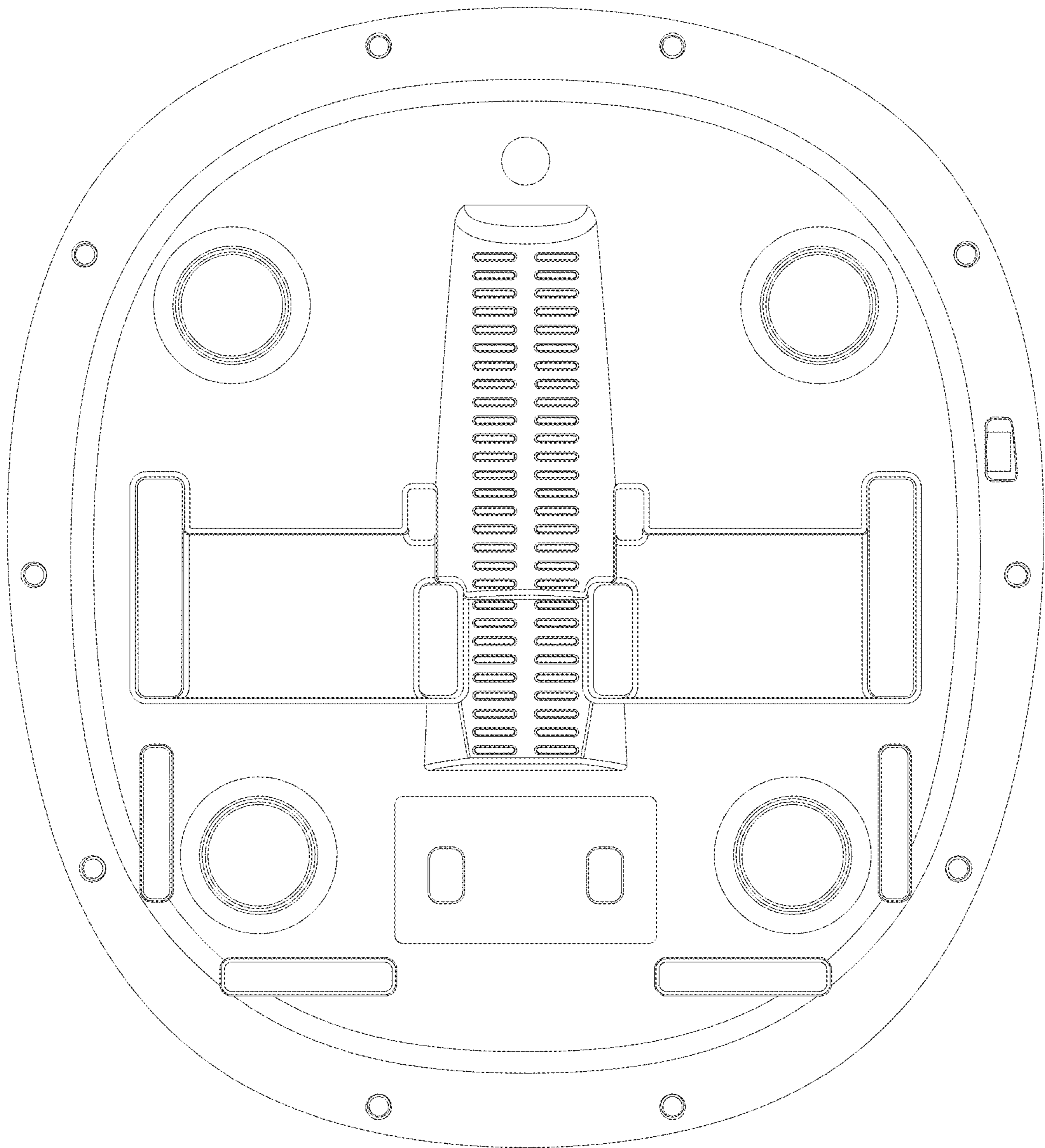


FIG. 6

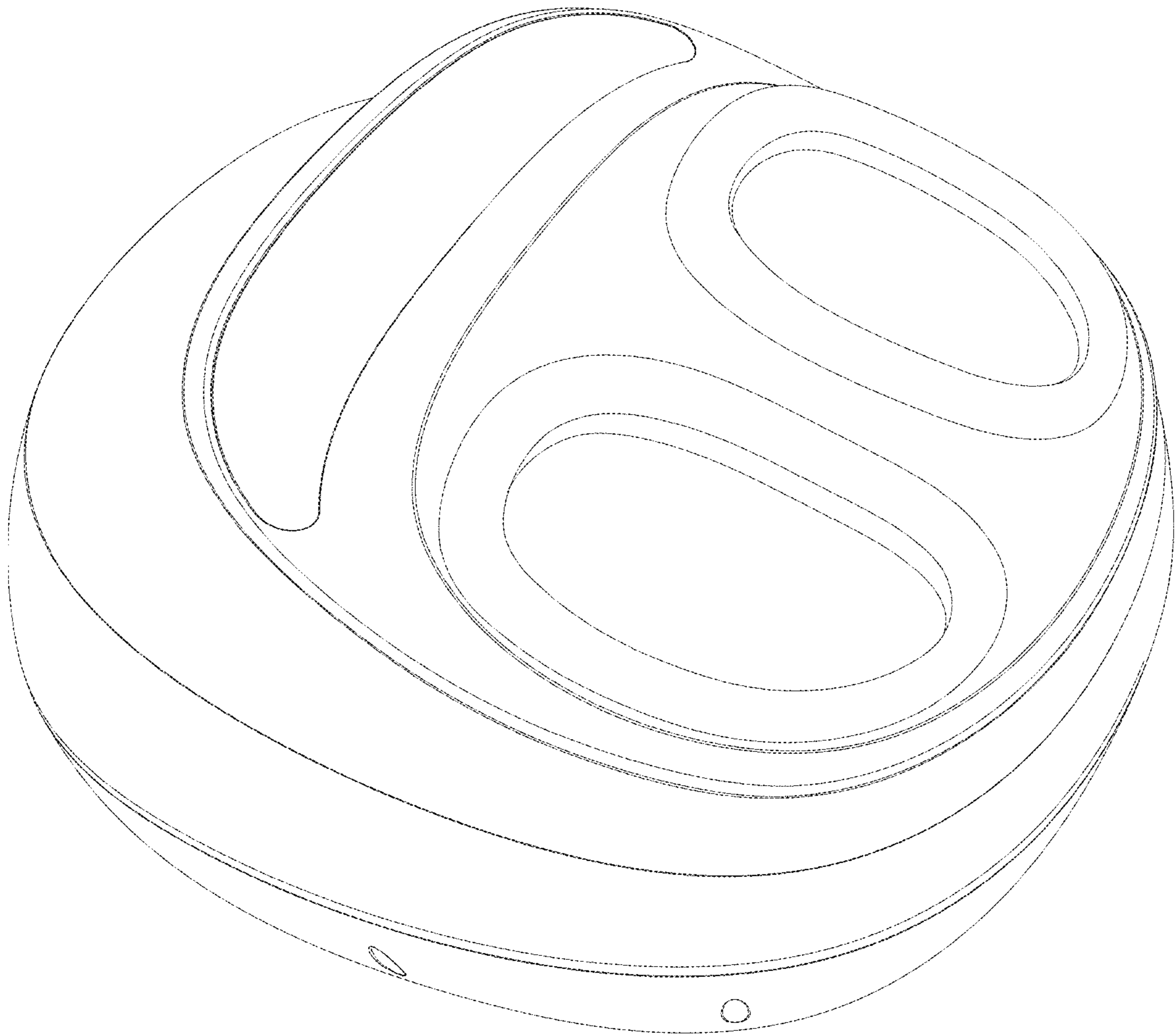


FIG. 7

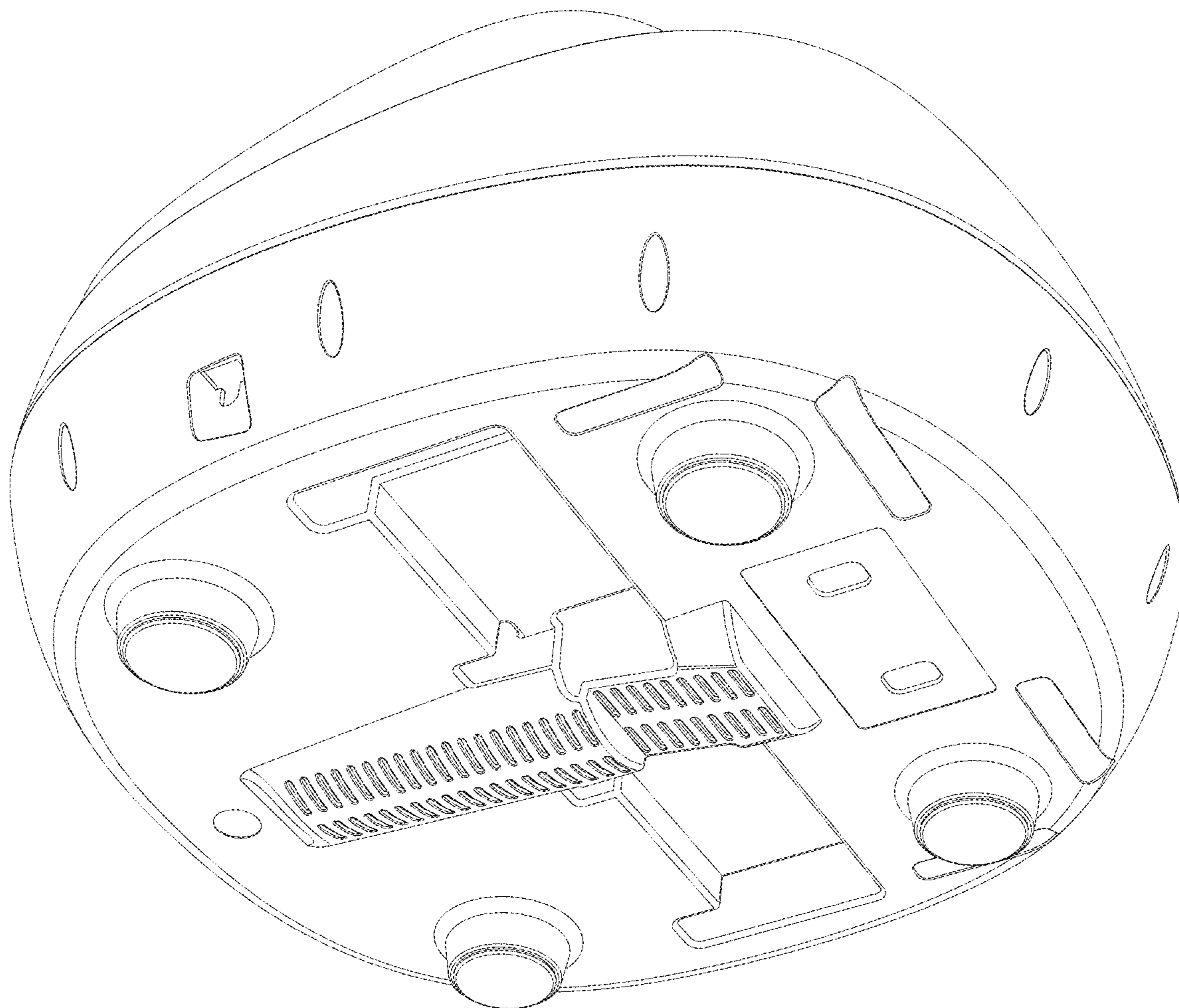


FIG. 8