



US00D949405S

(12) **United States Design Patent** (10) **Patent No.:** **US D949,405 S**
Yuan (45) **Date of Patent:** **** Apr. 19, 2022**

(54) **VIBRATOR**

(71) Applicant: **DONGGUAN XINCHUANGMEI HEALTHCARE PRODUCTS CO., LTD., Dongguan (CN)**

(72) Inventor: **Weiyue Yuan, Dongguan (CN)**

(73) Assignee: **DONGGUAN XINCHUANGMEI HEALTHCARE PRODUCTS CO., LTD., Dongguan (CN)**

(**) Term: **15 Years**

(21) Appl. No.: **29/740,873**

(22) Filed: **Jul. 8, 2020**

(51) **LOC (13) Cl.** **28-03**

(52) **U.S. Cl.**
USPC **D24/215**

(58) **Field of Classification Search**
USPC D24/119, 133, 141, 188, 200, 211, 212, D24/213, 214, 215; D30/160
CPC A61H 2201/1628; A61H 2201/1645; A61H 19/44; A61H 19/50; A61H 19/40; A61H 19/34; A61H 2015/0042
See application file for complete search history.

(56) **References Cited**

U.S. PATENT DOCUMENTS

D342,999 S *	1/1994	Gonsalves, Jr.	D24/147
D357,984 S *	5/1995	Heck	D24/211
D389,920 S *	1/1998	Kennon	D24/200
D398,401 S *	9/1998	Antoskow	D24/211
D556,335 S *	11/2007	Hagege	D24/215
D605,779 S *	12/2009	Murison	D24/215
D652,942 S *	1/2012	Murison	D24/215
D665,094 S *	8/2012	Sedic	D24/215
D700,347 S *	2/2014	Sedic	D24/215
D703,342 S *	4/2014	Faussett	D24/215
D732,683 S *	6/2015	Zhang	D24/215
D768,311 S *	10/2016	Marshall	D24/215
D772,422 S *	11/2016	Sedic	D24/215
D792,980 S *	7/2017	Olivares	D24/215

D839,441 S *	1/2019	Harashima	D24/215
D844,803 S *	4/2019	Liu	D24/215
D848,016 S *	5/2019	Fuhner	D24/215
D857,222 S *	8/2019	Liu	D24/215
D865,983 S *	11/2019	Huang	D24/211
D898,912 S *	10/2020	Xie	D24/141
D908,904 S *	1/2021	Liu	D24/215
D917,057 S *	4/2021	Liu	D24/215
D917,058 S *	4/2021	Liu	D24/215
D917,059 S *	4/2021	Liu	D24/215
2013/0331745 A1 *	12/2013	Sedic	A61H 19/44 601/46
2015/0231024 A1 *	8/2015	Sedic	A61H 23/0263 600/38

OTHER PUBLICATIONS

Amazon, "Sucking Toy", Oct. 18, 2021. [https://www.amazon.com/Clit%E1%BB%8Drial-%E1%B9%BEibarat%E1%BB%8Dr%20-%E1%BB%8Drals-comf%E1%BB%8Drtable-Stim%E1%BB%A5lator/dp/B09JNXBFPZ/ref=sr_1_152?crd=1FM3J8ELP0AT6&dchild=1&keywords=clitoral+sucking+vibrator&qid=1635509435&sprefix=cl%E1%BB%8B%E1%BB%8Drial-%E1%B9%BEibarat%E1%BB%8Dr%20-%E1%BB%8Drals-comf%E1%BB%8Drtable-Stim%E1%BB%A5lator/](https://www.amazon.com/Clit%E1%BB%8Drial-%E1%B9%BEibarat%E1%BB%8Dr%20-%E1%BB%8Drals-comf%E1%BB%8Drtable-Stim%E1%BB%A5lator/dp/B09JNXBFPZ/ref=sr_1_152?crd=1FM3J8ELP0AT6&dchild=1&keywords=clitoral+sucking+vibrator&qid=1635509435&sprefix=cl%E1%BB%8B%E1%BB%8Drial-%E1%B9%BEibarat%E1%BB%8Dr%20-%E1%BB%8Drals-comf%E1%BB%8Drtable-Stim%E1%BB%A5lator/&keywords=clitoral+sucking+vibrator&qid=1635509435&sprefix=cl%E1%BB%8B%E1%BB%8Drial-%E1%B9%BEibarat%E1%BB%8Dr%20-%E1%BB%8Drals-comf%E1%BB%8Drtable-Stim%E1%BB%A5lator/) (Year: 2021).*

* cited by examiner

Primary Examiner — Michael A Maharajh

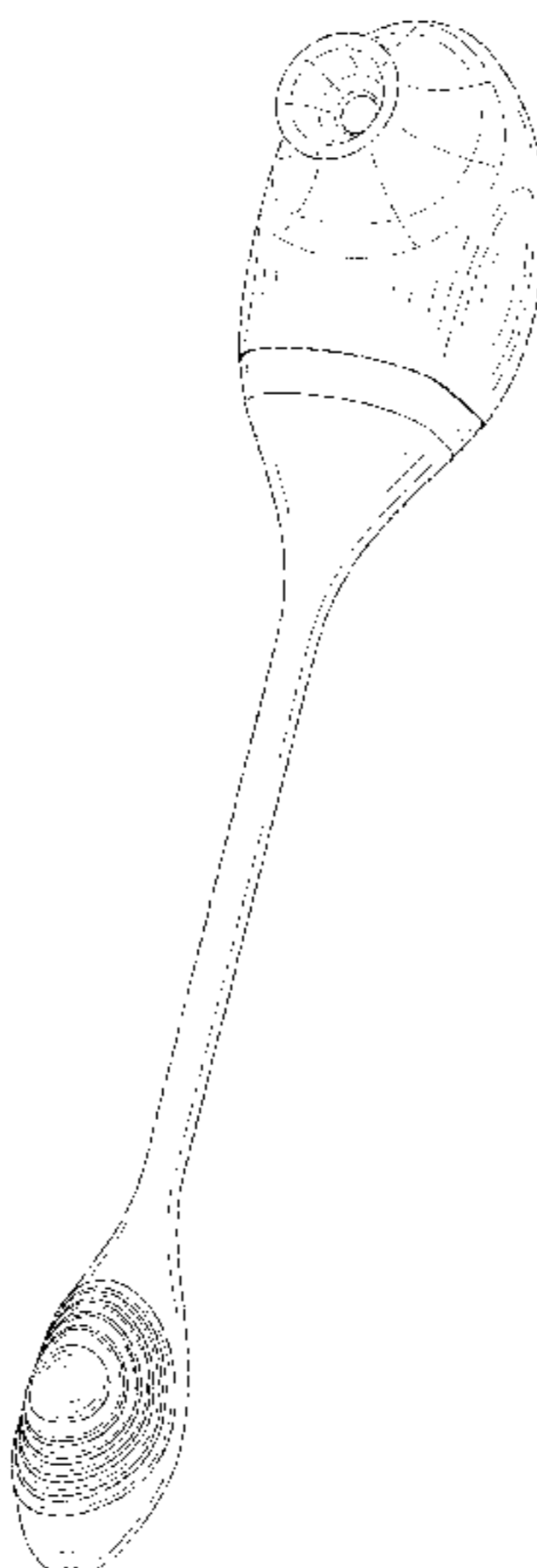
(57) **CLAIM**

The ornamental design for a vibrator, as shown and described.

DESCRIPTION

FIG. 1 is a perspective view of a vibrator showing my new design;
FIG. 2 is another perspective view thereof;
FIG. 3 is a front view thereof;
FIG. 4 is a rear view thereof;
FIG. 5 is a left side view thereof;
FIG. 6 is a right side view thereof;
FIG. 7 is a top view thereof; and,
FIG. 8 is a bottom view thereof.

1 Claim, 8 Drawing Sheets



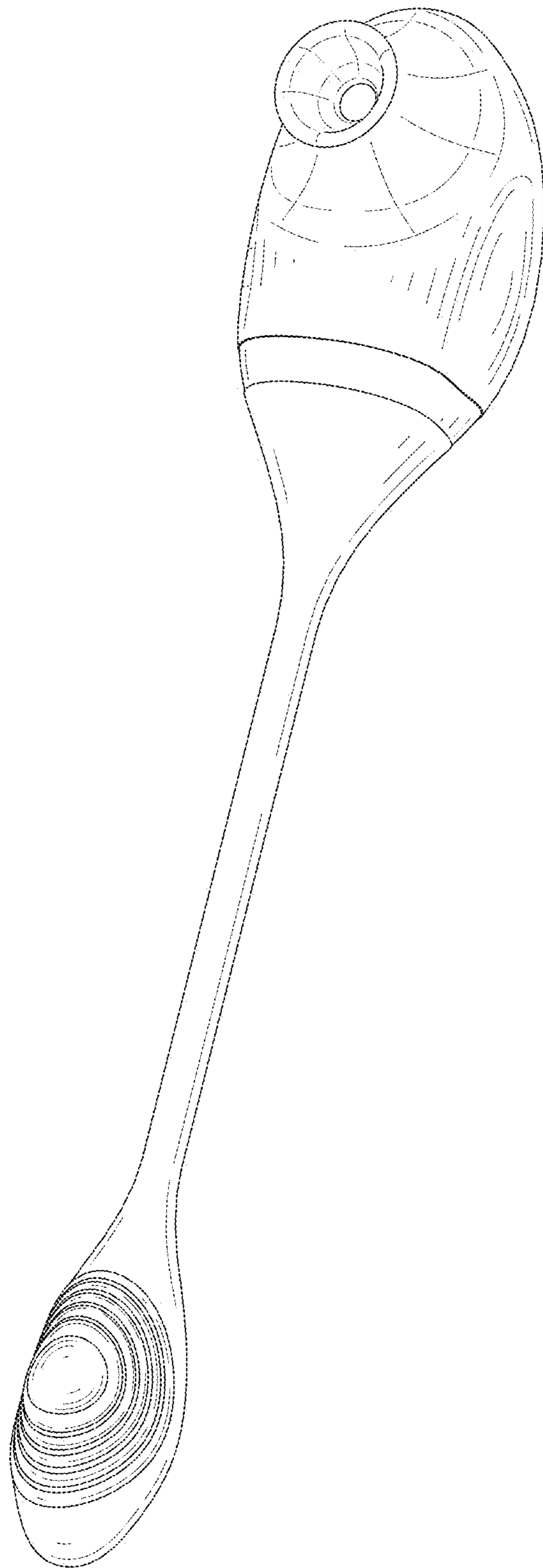


FIG. 1

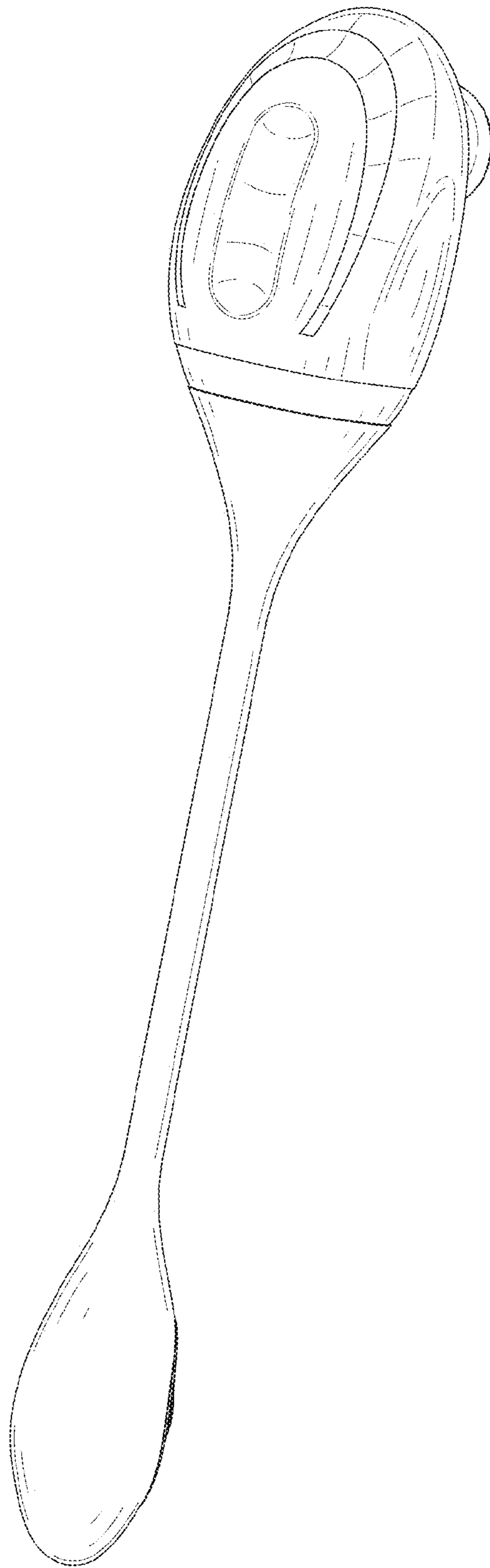


FIG. 2

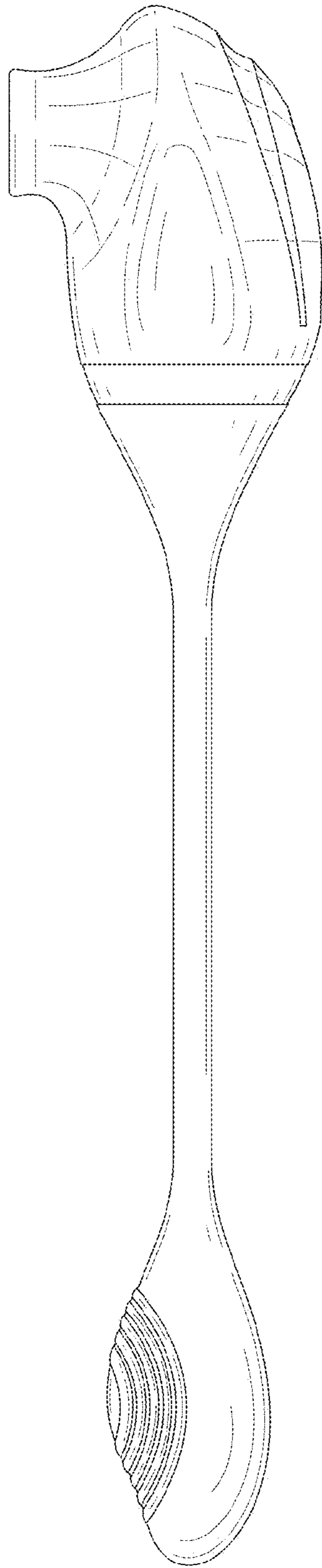


FIG. 3

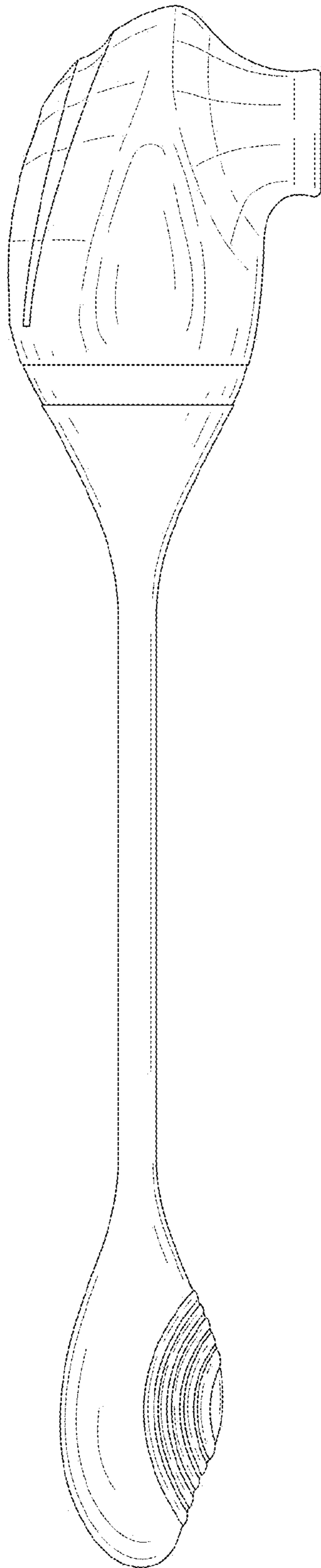


FIG. 4

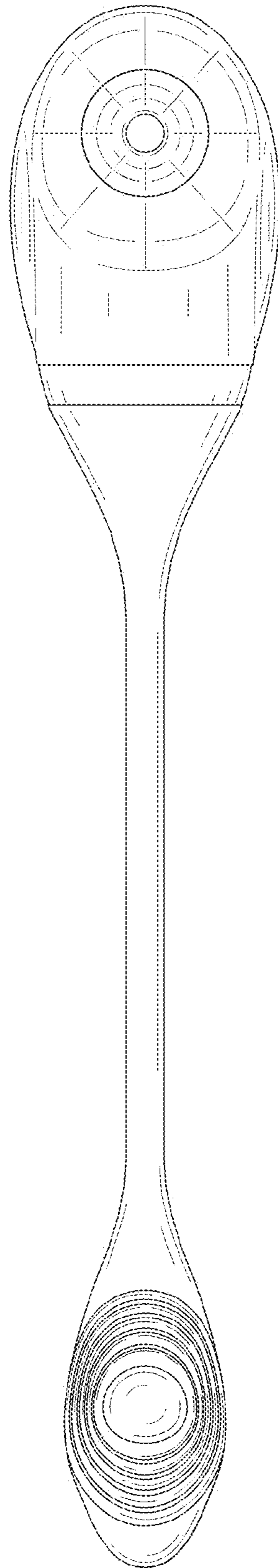


FIG. 5

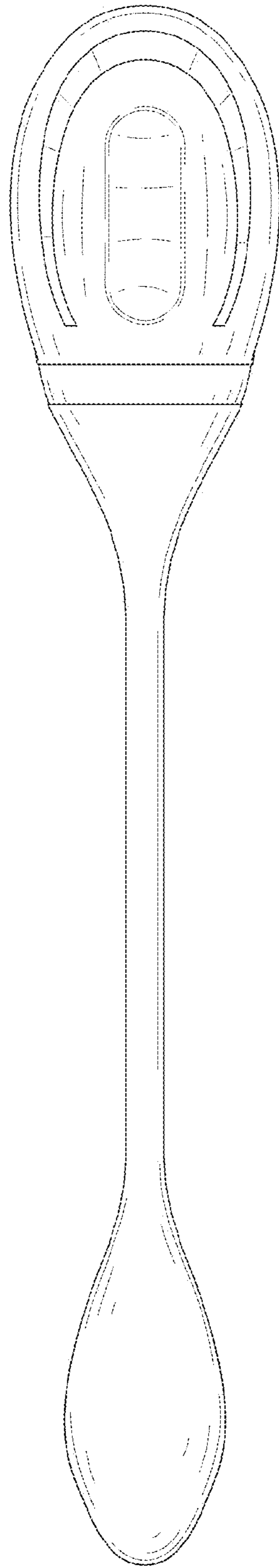


FIG. 6

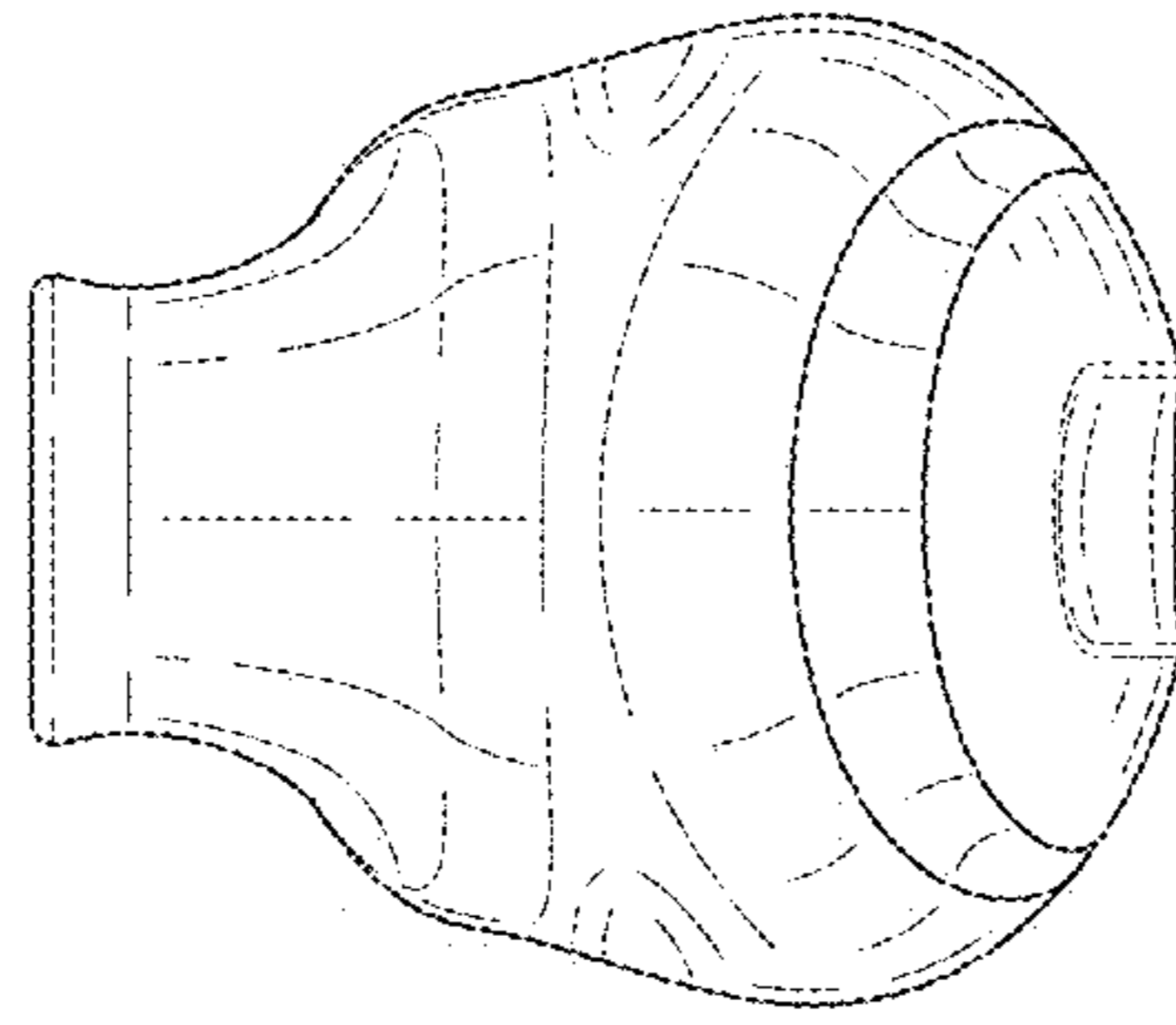


FIG. 7

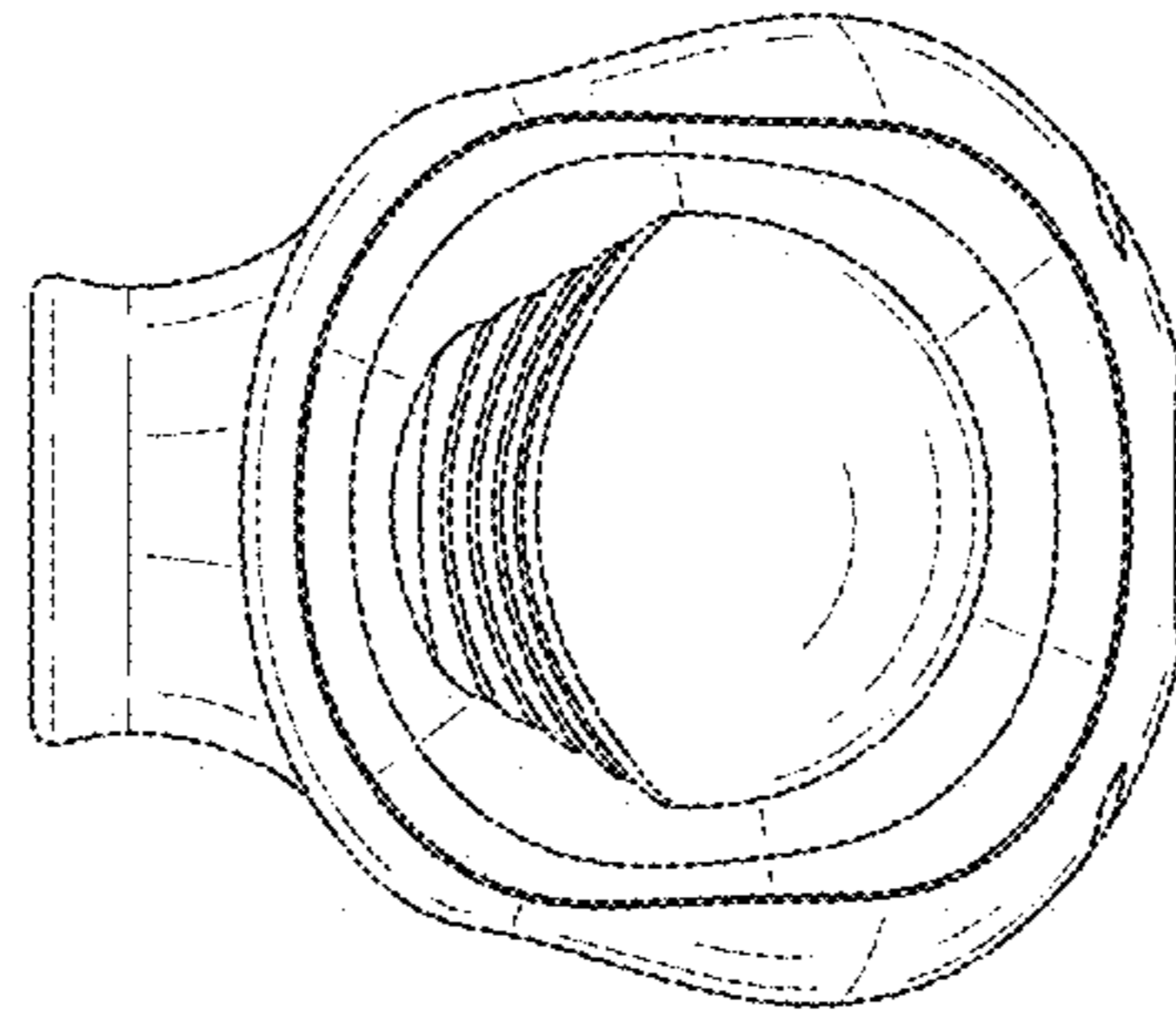


FIG. 8