



US00D949403S

(12) **United States Design Patent** (10) **Patent No.:** **US D949,403 S**
Preobrazhenskaia (45) **Date of Patent:** **** Apr. 19, 2022**

(54) **PERSONAL VIBRATOR**
(71) Applicant: **Venus Vibes LLC**, Miami, FL (US)
(72) Inventor: **Tatiana Preobrazhenskaia**, Miami, FL (US)
(**) Term: **15 Years**
(21) Appl. No.: **29/740,801**
(22) Filed: **Jul. 7, 2020**
(51) **LOC (13) Cl.** **28-03**
(52) **U.S. Cl.**
USPC **D24/215**
(58) **Field of Classification Search**
USPC D24/119, 133, 141, 188, 200, 211, 212, D24/213, 214, 215; D30/160
CPC A61H 2201/1628; A61H 2201/1645; A61H 19/44; A61H 19/50; A61H 19/40; A61H 19/34; A61H 2015/0042
See application file for complete search history.

D839,441 S * 1/2019 Harashima D24/215
D844,803 S * 4/2019 Liu D24/215
D848,016 S * 5/2019 Fuhner D24/215
D857,222 S * 8/2019 Liu D24/215
D865,983 S * 11/2019 Huang D24/211
D898,912 S * 10/2020 Xie D24/141
D908,904 S * 1/2021 Liu D24/215
D917,057 S * 4/2021 Liu D24/215
D917,058 S * 4/2021 Liu D24/215
D917,059 S * 4/2021 Liu D24/215
2013/0331745 A1* 12/2013 Sedic A61H 19/44 601/46
2015/0231024 A1* 8/2015 Sedic A61H 23/0263 600/38

(56) **References Cited**
U.S. PATENT DOCUMENTS

D342,999 S * 1/1994 Gonsalves, Jr. D24/147
D357,984 S * 5/1995 Heck D24/211
D389,920 S * 1/1998 Kennon D24/200
D391,637 S * 3/1998 Harry D24/119
D398,401 S * 9/1998 Antoskow D24/211
D490,896 S * 6/2004 Bogazzi D24/133
D556,335 S * 11/2007 Hagege D24/215
D605,779 S * 12/2009 Murison D24/215
D652,942 S * 1/2012 Murison D24/215
D665,094 S * 8/2012 Sedic D24/215
D700,347 S * 2/2014 Sedic D24/215
D703,342 S * 4/2014 Faussett D24/215
D732,683 S * 6/2015 Zhang D24/215
D768,311 S * 10/2016 Marshall D24/215
D772,422 S * 11/2016 Sedic D24/215
D792,980 S * 7/2017 Olivares D24/215

OTHER PUBLICATIONS

Amazon, "Lelo Pico Bong Transformer", Jan. 1, 2015. <https://www.amazon.com/Lelo-Pico-Transformer-Cerise-Count/dp/B00PBSVW3U>. Shown on p. 1. (Year: 2015).*

* cited by examiner

Primary Examiner — Michael A Maharajh
(74) *Attorney, Agent, or Firm* — RC Trademark Company

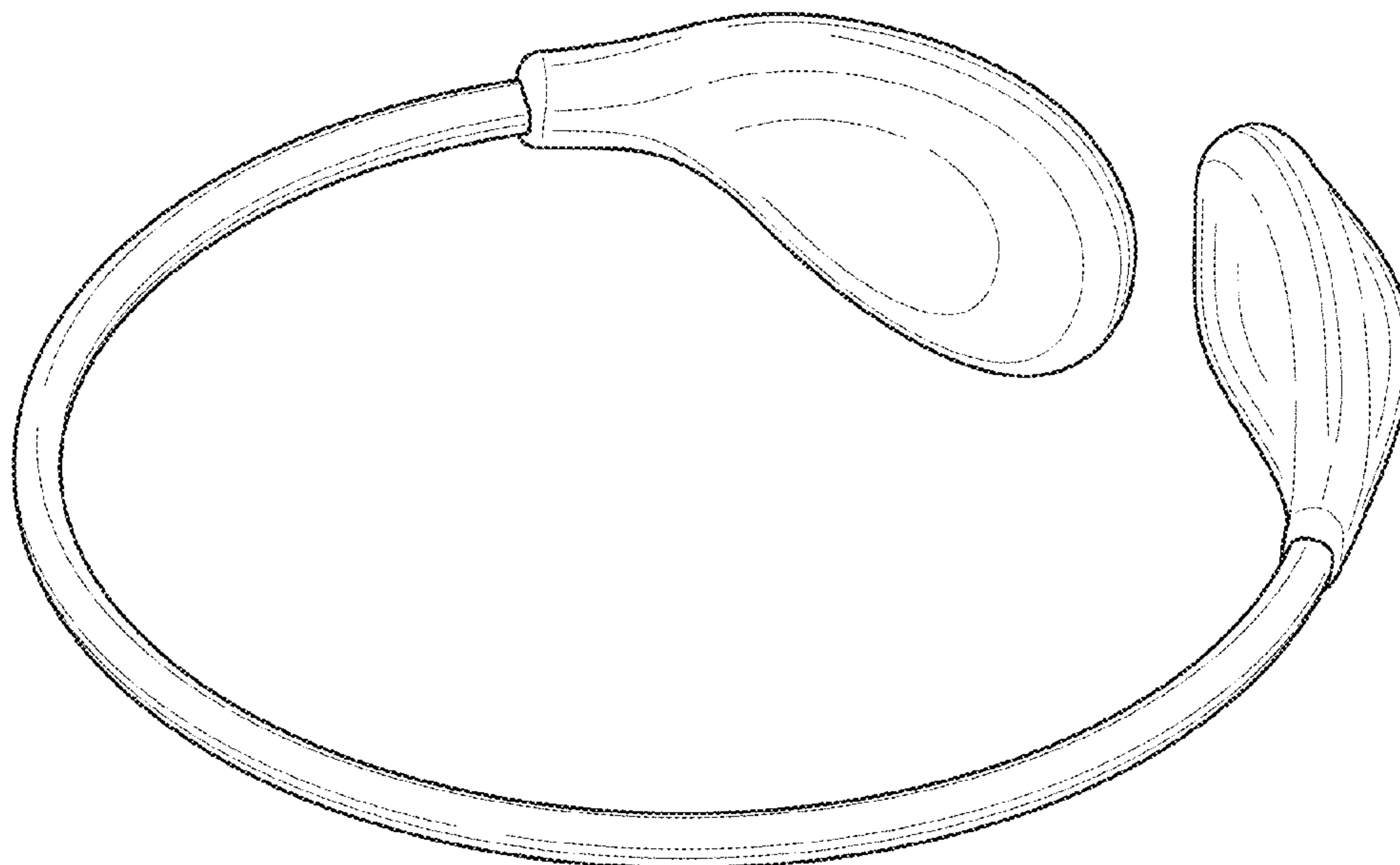
(57) **CLAIM**

The ornamental design for a personal vibrator, as shown and described.

DESCRIPTION

FIG. 1 is a perspective view of a personal vibrator.
FIG. 2 is a front view of the personal vibrator of FIG. 1.
FIG. 3 is a rear view of the personal vibrator of FIG. 1.
FIG. 4 is a left side view of the personal vibrator of FIG. 1.
FIG. 5 is a right side view of the personal vibrator of FIG. 1.
FIG. 6 is a bottom view of the personal vibrator of FIG. 1; and,
FIG. 7 is a top view of the personal vibrator of FIG. 1.

1 Claim, 5 Drawing Sheets



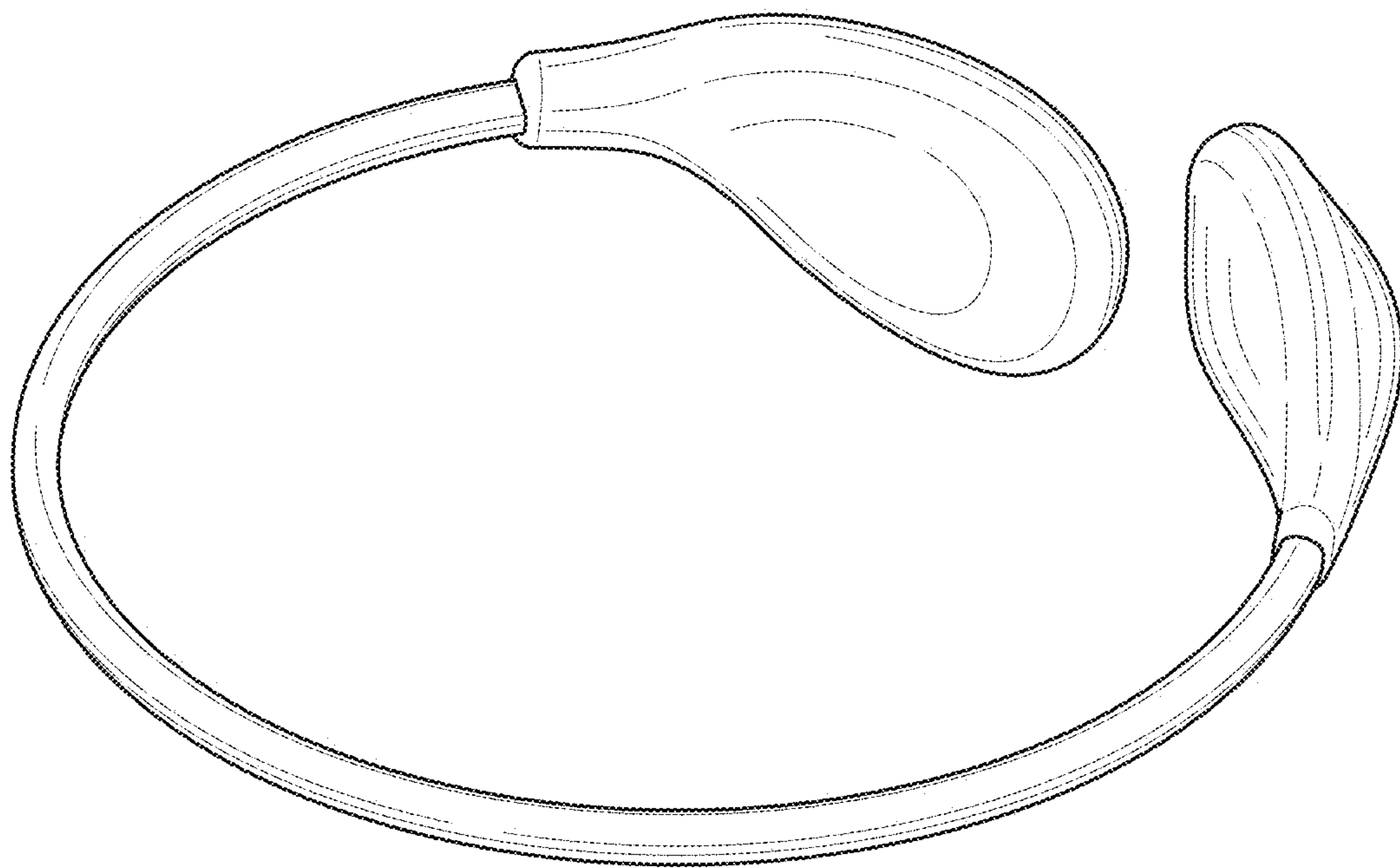


FIG. 1

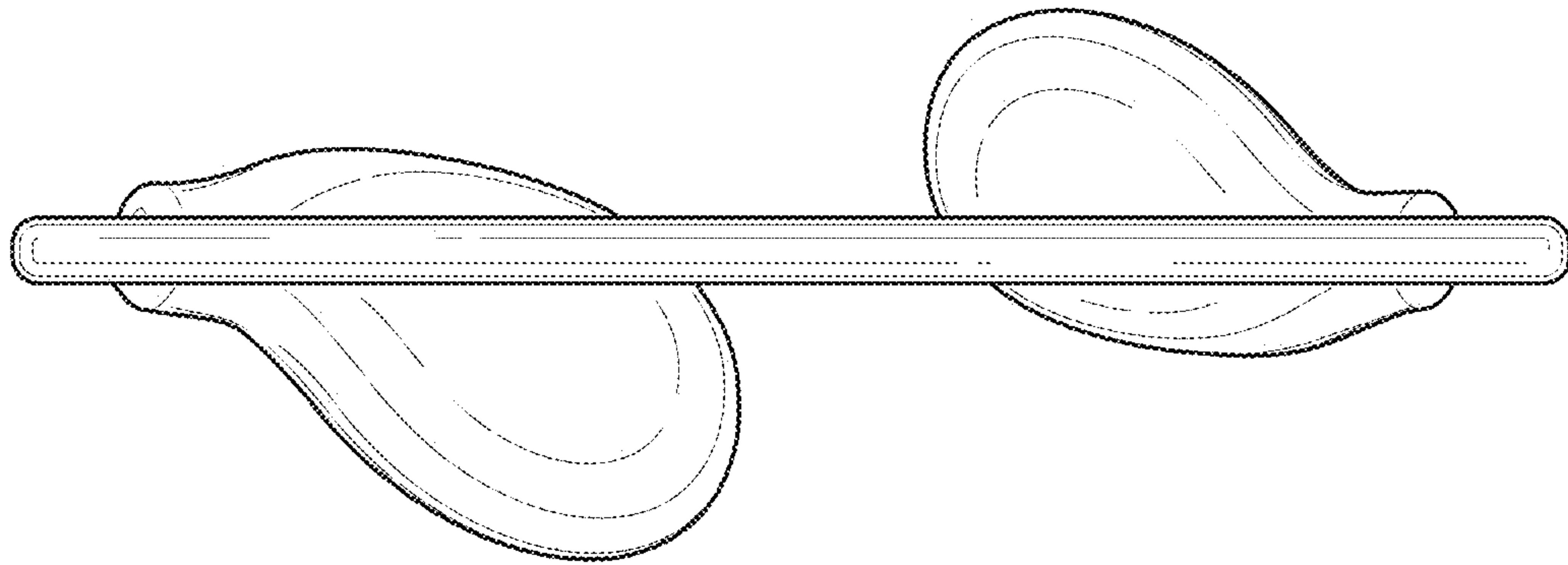


FIG. 2

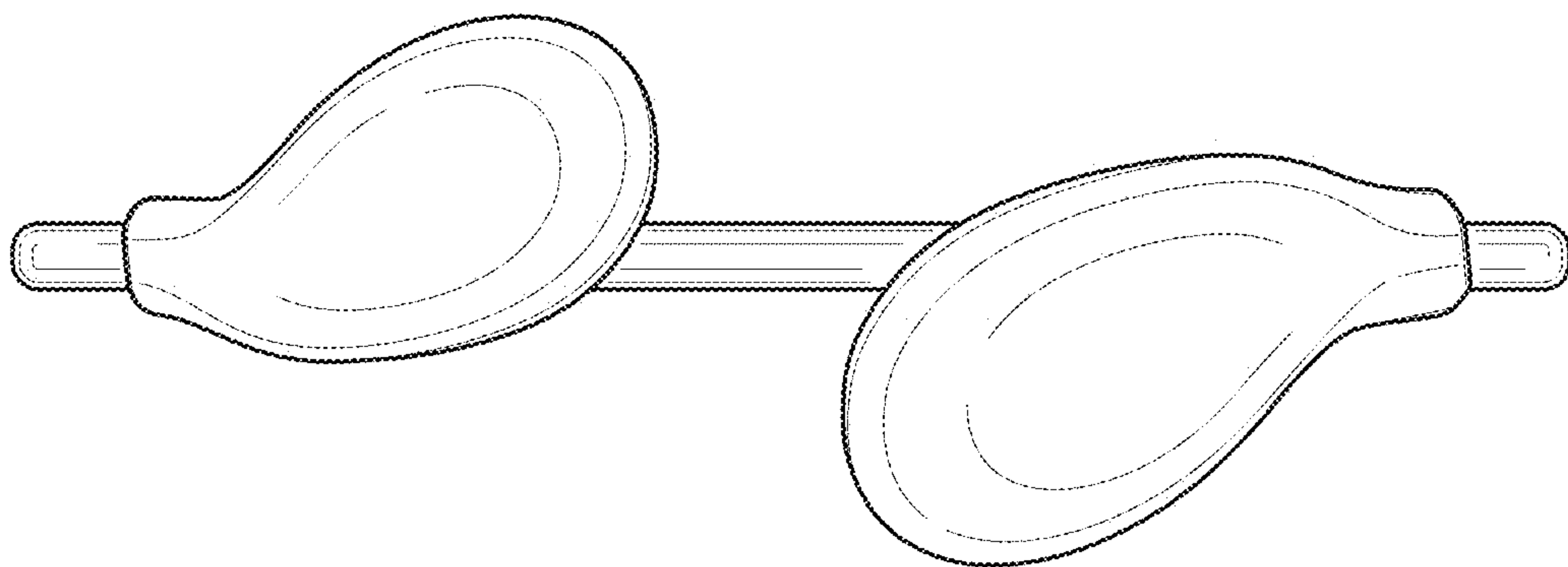


FIG. 3

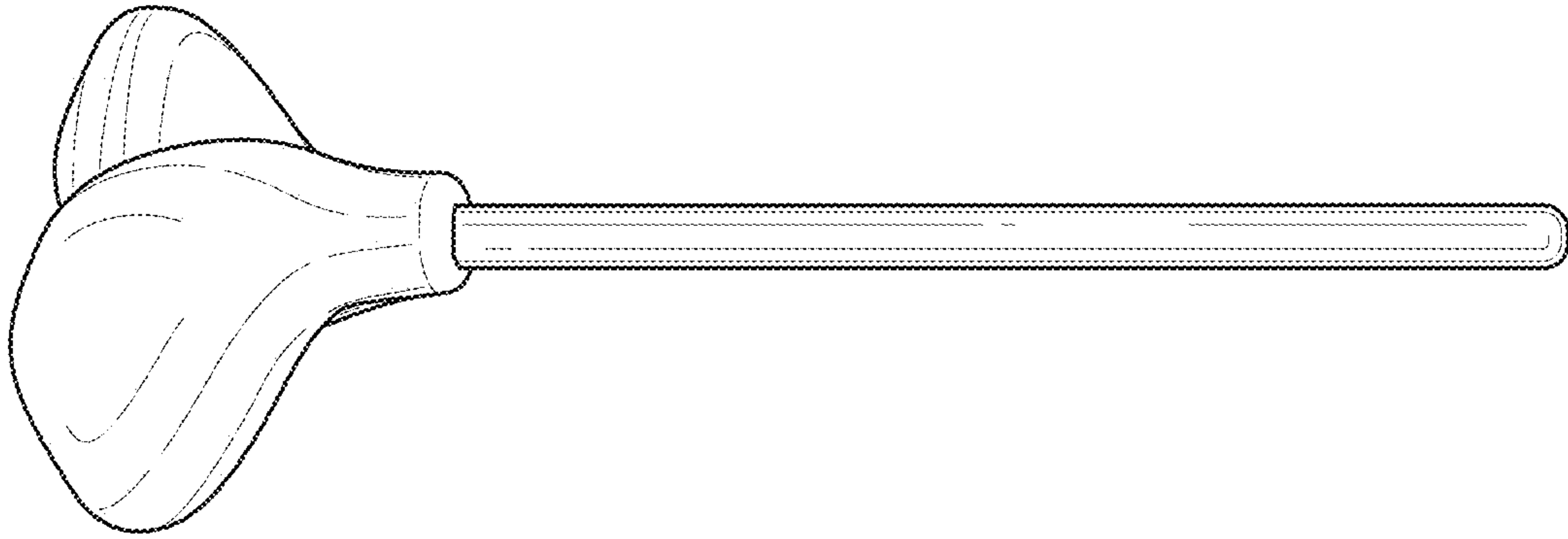


FIG. 4

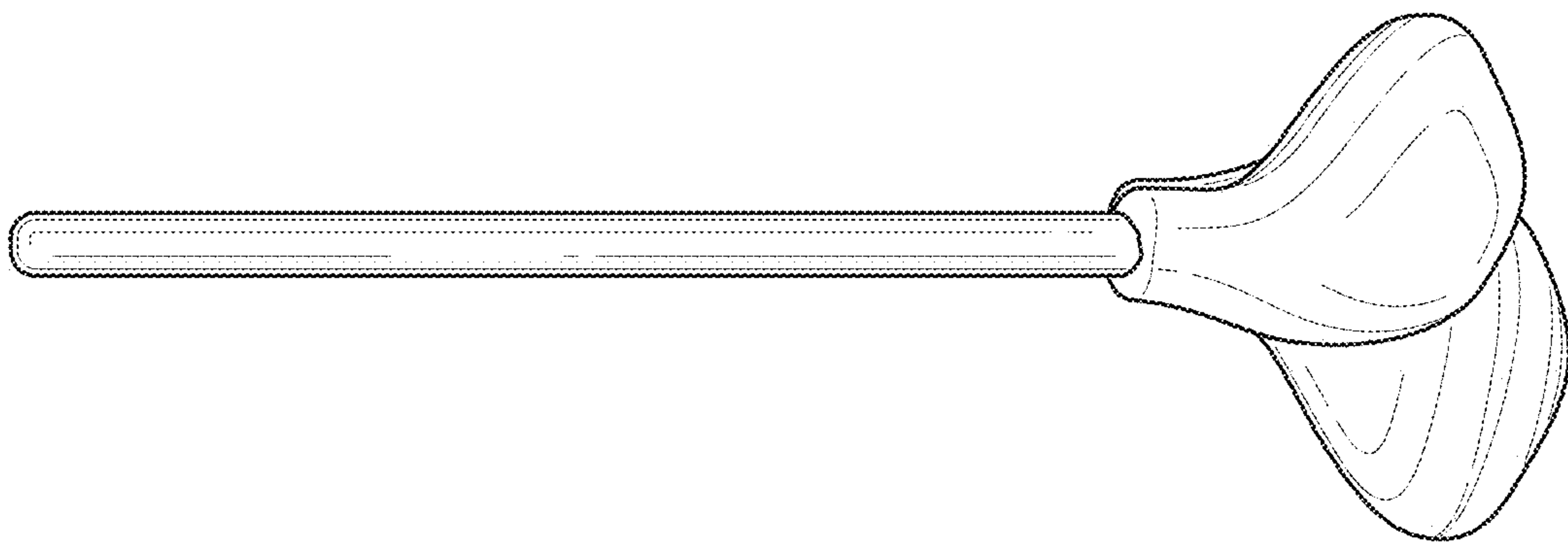


FIG. 5

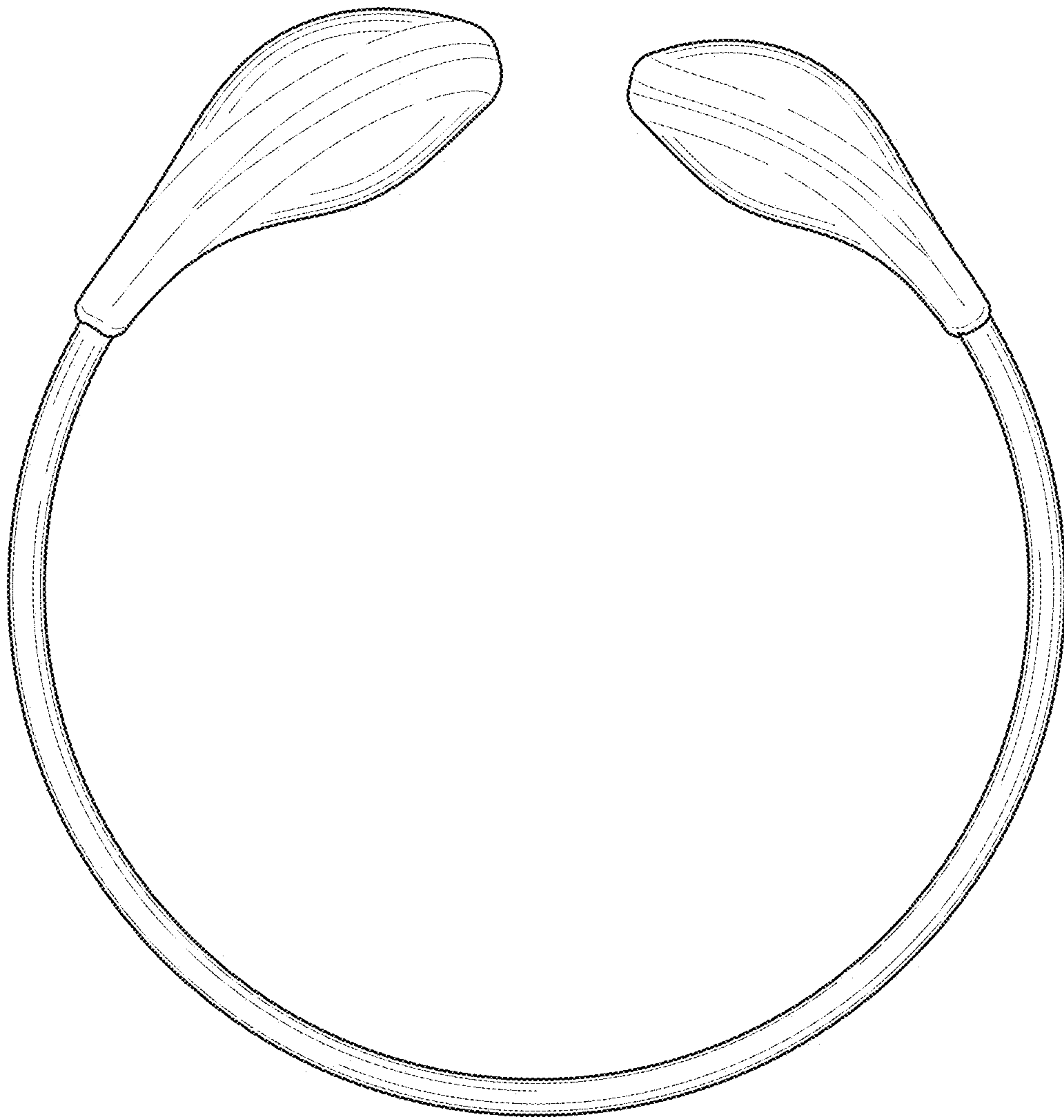


FIG. 6

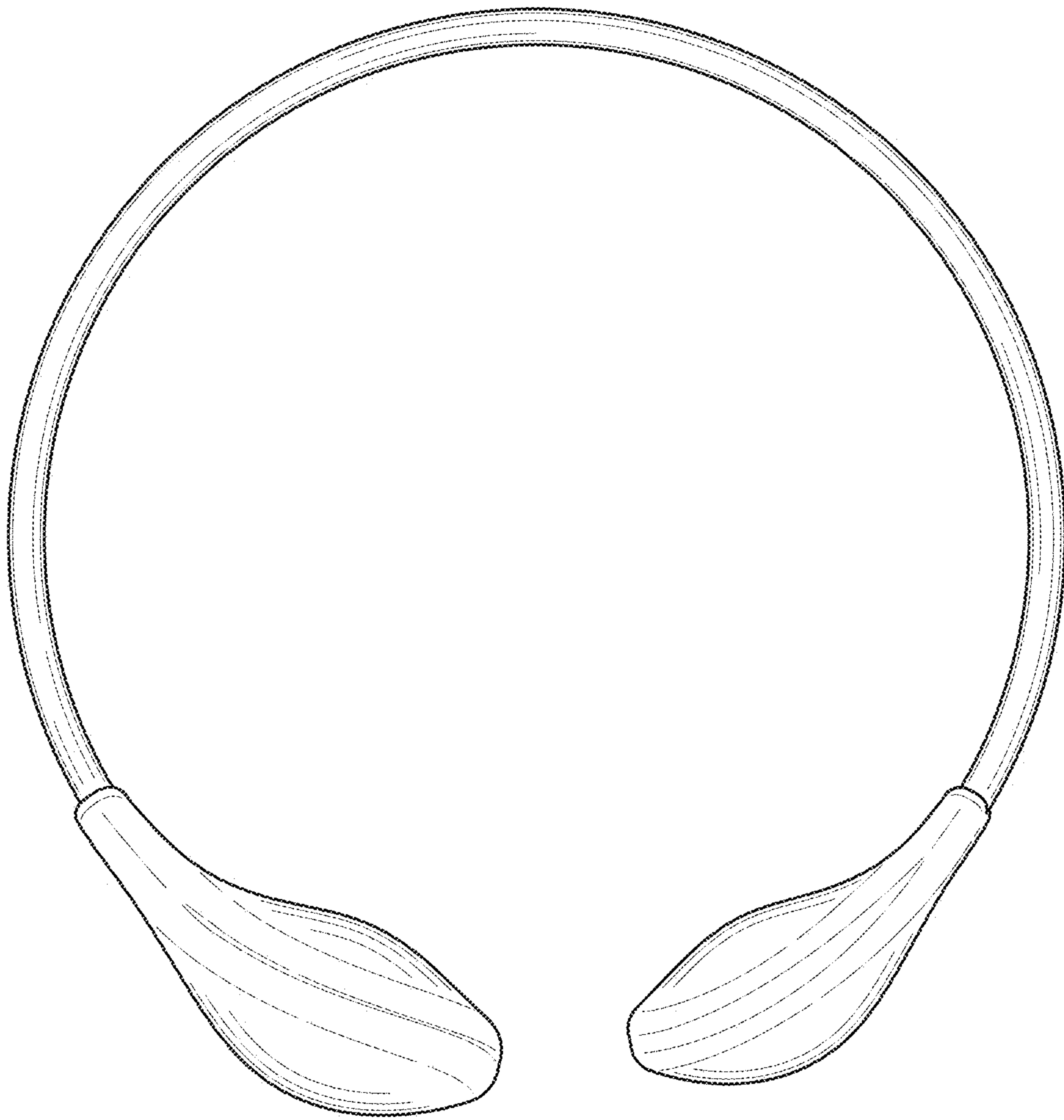


FIG. 7