



US00D949401S

(12) **United States Design Patent** (10) **Patent No.:** **US D949,401 S**
Lee (45) **Date of Patent:** **** Apr. 19, 2022**

(54) **HANDHELD THERAPEUTIC DEVICE**

(71) Applicant: **Golovan Ltd.**, Tel Aviv (IL)

(72) Inventor: **Jongha Lee**, Seoul (KR)

(73) Assignee: **Golovan Ltd.**, Tel Aviv (IL)

(**) Term: **15 Years**

(21) Appl. No.: **29/740,042**

(22) Filed: **Jun. 30, 2020**

(51) **LOC (13) Cl.** **28-03**

(52) **U.S. Cl.**
USPC **D24/215**

(58) **Field of Classification Search**
USPC D24/200, 211, 212, 213, 214, 215;
D8/14.1; D28/13
CPC . A61H 2201/1635; A61H 23/006; A61H 1/00
See application file for complete search history.

(56) **References Cited**

U.S. PATENT DOCUMENTS

10,428,850	B2 *	10/2019	Wersland	B23B 31/11
10,470,970	B2 *	11/2019	Nazarian	F16D 1/087
D872,869	S *	1/2020	Lu	D24/215
D877,351	S *	3/2020	Wersland	D24/215
D879,985	S *	3/2020	Wersland	D24/214
D879,986	S *	3/2020	Wersland	D24/214
D880,714	S *	4/2020	Wersland	D24/215
D880,715	S *	4/2020	Wersland	D24/215
D880,716	S *	4/2020	Wersland	D24/215
D884,915	S *	5/2020	Wersland	D24/215
D885,601	S *	5/2020	Wersland	D24/215
D887,573	S *	6/2020	Wersland	D24/215
10,714,953	B1 *	7/2020	Solana	H02J 7/0044
D912,268	S *	3/2021	Xiang	D24/215
D912,835	S *	3/2021	Ren	D24/200
10,959,911	B2 *	3/2021	Wersland	A61H 1/00
D921,914	S *	6/2021	Wersland	D24/214
D930,179	S *	9/2021	Zhu	D24/215

2016/0367425	A1 *	12/2016	Wersland	A61H 1/008
2017/0304145	A1 *	10/2017	Pepe	A61H 23/006
2018/0200141	A1 *	7/2018	Wersland	A61H 15/0085
2020/0069510	A1 *	3/2020	Wersland	A61H 23/006
2020/0214930	A1 *	7/2020	Wersland	A61H 1/00
2020/0261306	A1 *	8/2020	Pepe	A61H 23/0254
2020/0261307	A1 *	8/2020	Wersland	A61H 23/006
2020/0268594	A1 *	8/2020	Pepe	A61H 15/02
2020/0352820	A1 *	11/2020	Nazarian	H02K 11/0094
2020/0405574	A1 *	12/2020	Wersland	A61H 1/008

(Continued)

OTHER PUBLICATIONS

Huckberry, "KraftGun Force" Sep. 9, 2021. <https://huckberry.com/store/kraft-gun/category/p/68339-kraftgun-force>. Shown on p. 1. (Year: 2021).*

(Continued)

Primary Examiner — Michael A Maharajh
(74) *Attorney, Agent, or Firm* — Pearl Cohen Zedek
Latzler Baratz LLP

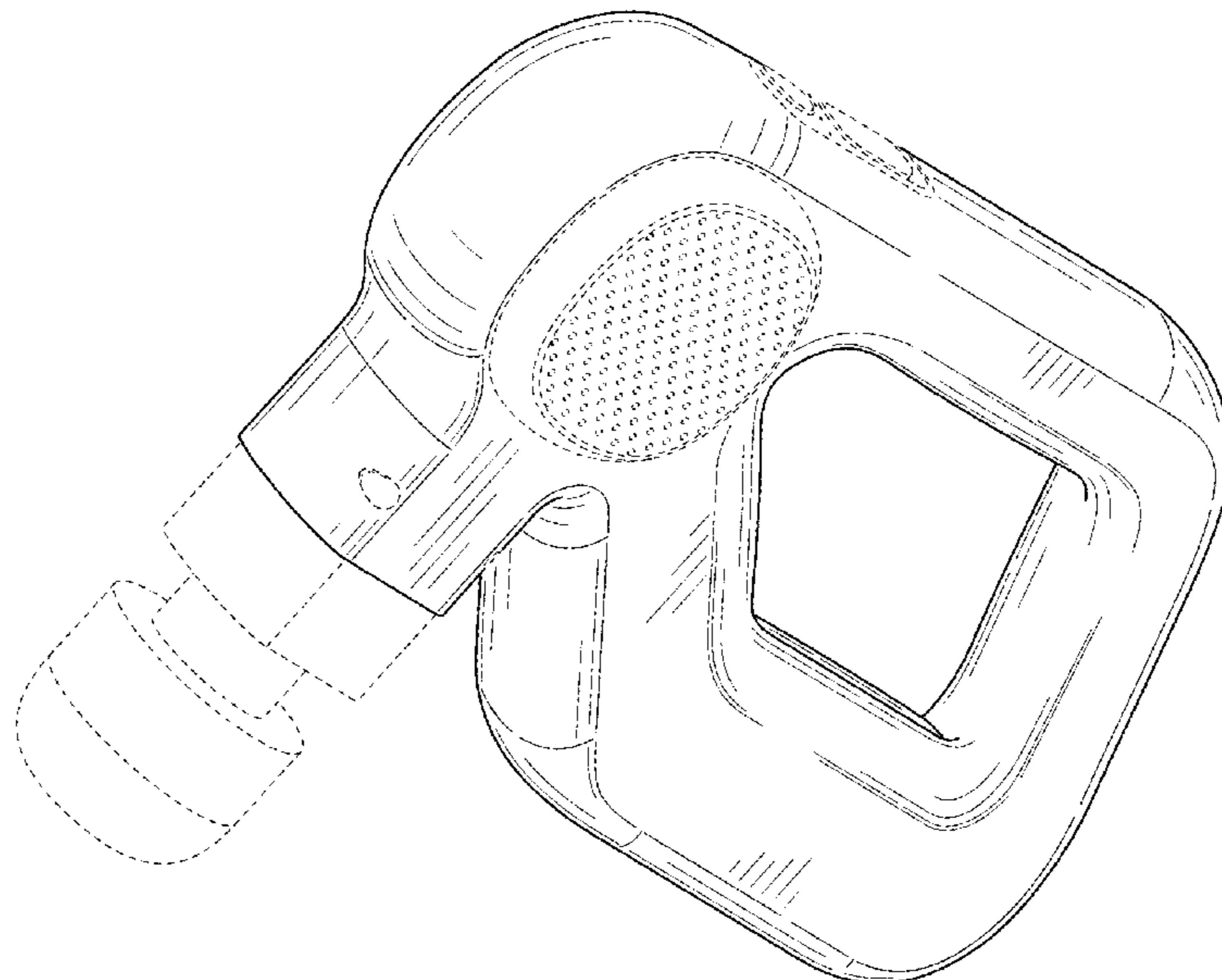
(57) **CLAIM**

The ornamental design for a handheld therapeutic device, as shown and described.

DESCRIPTION

FIG. 1 is a top, front left perspective view of a handheld therapeutic device, showing my new design; FIG. 2 is a front elevation view thereof; FIG. 3 is a rear elevation view thereof; FIG. 4 is a left elevation view thereof; FIG. 5 is a right elevation view thereof; FIG. 6 is a top plan view thereof; and, FIG. 7 is a bottom plan view thereof. The broken lines shown in the drawings are for the purpose of illustrating portions of the handheld therapeutic device, which form no part of the claimed design.

1 Claim, 5 Drawing Sheets



(56)

References Cited

U.S. PATENT DOCUMENTS

2021/0022955 A1* 1/2021 Wersland A61H 1/006
2021/0059898 A1* 3/2021 Wersland A61H 15/00

OTHER PUBLICATIONS

Kraftgun, "Kraftgun", Sep. 9, 2021. <http://kraftgun.com/products/kata>. Shown on p. 1. (Year: 2021).*

Youtube, "Kraftgun Force Review", Jan. 3, 2021. <https://www.youtube.com/watch?v=Sbv9YV1gW8o>. Shown on p. 1. (Year: 2021).*

Youtube, "Kraftgun Force_Most powerful Noise Free Massage Gun", Sep. 1, 2020. <https://www.youtube.com/watch?v=9PGX4LySJPE>. Shown on p. 1. (Year: 2020).*

* cited by examiner

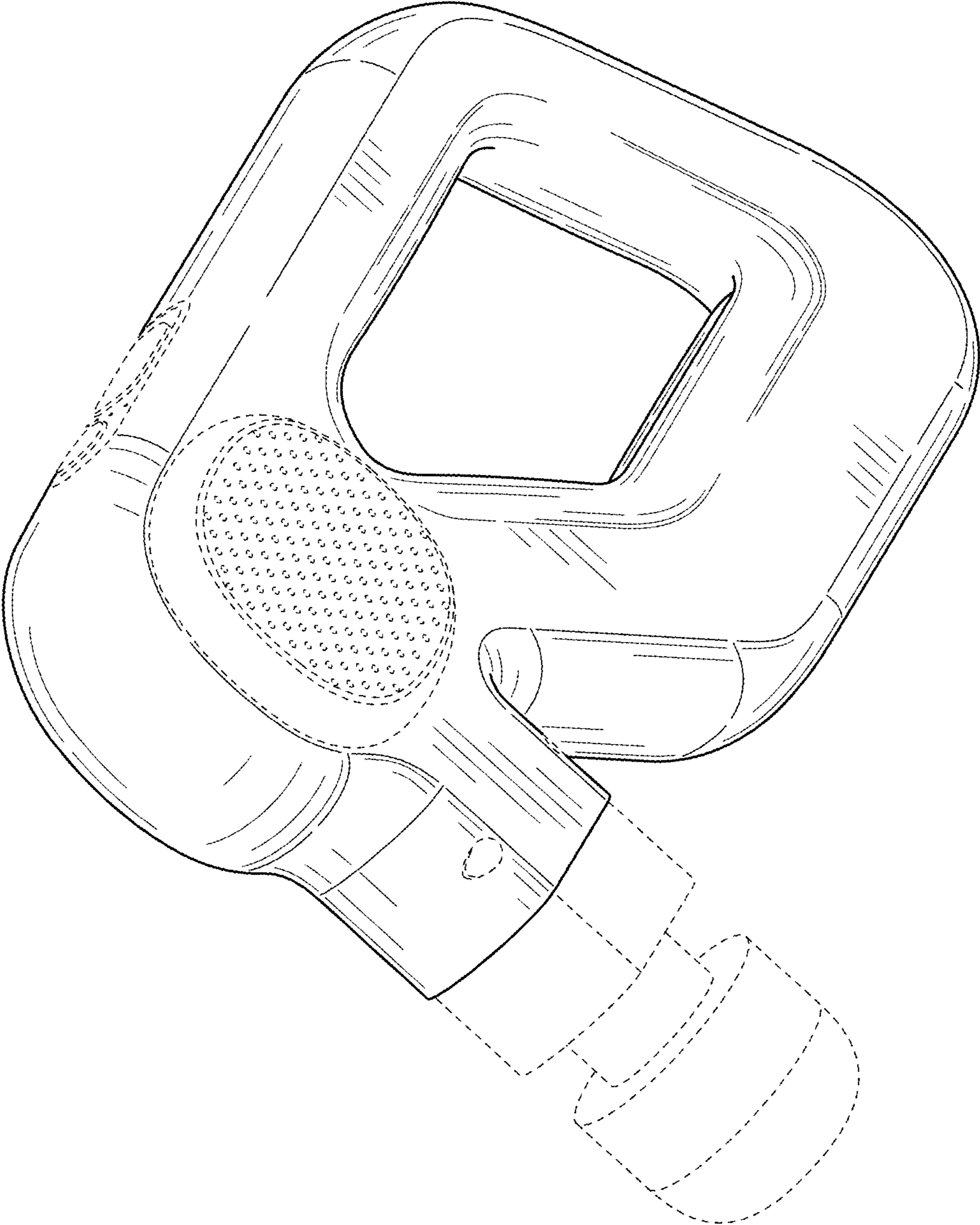


FIG. 1

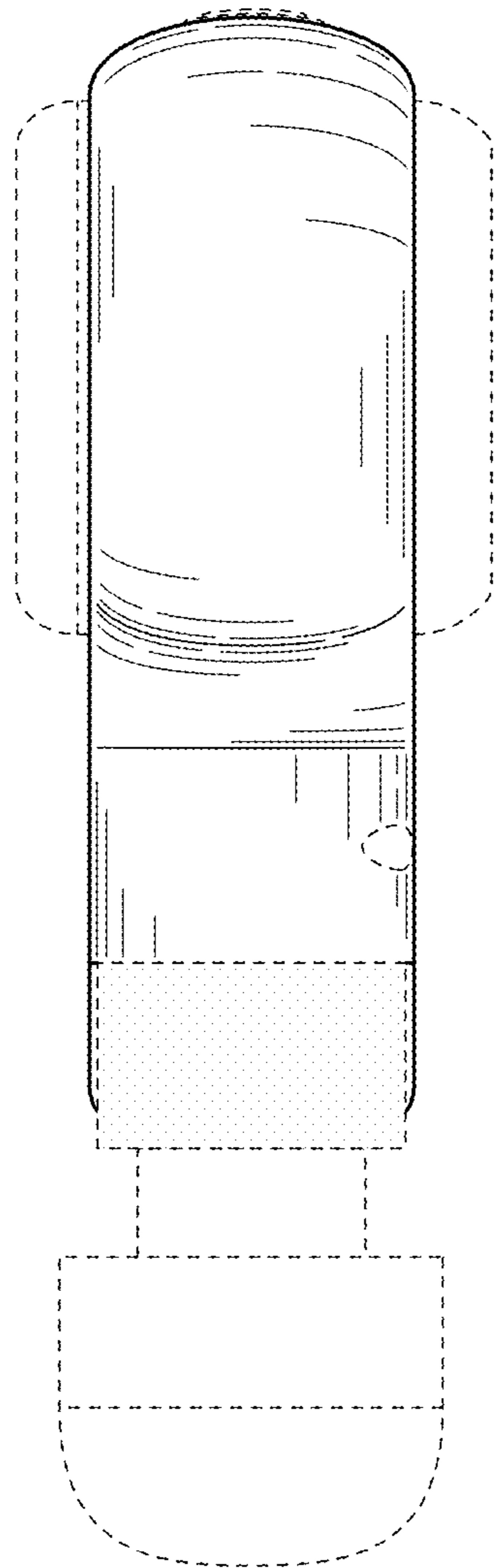


FIG. 2

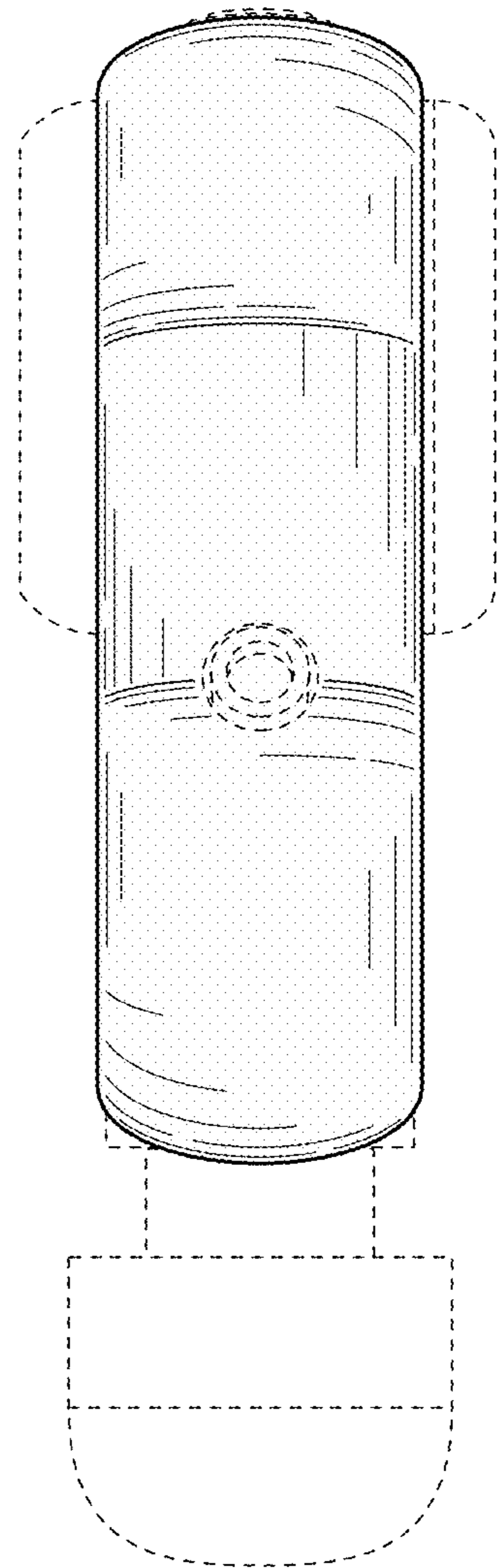


FIG. 3

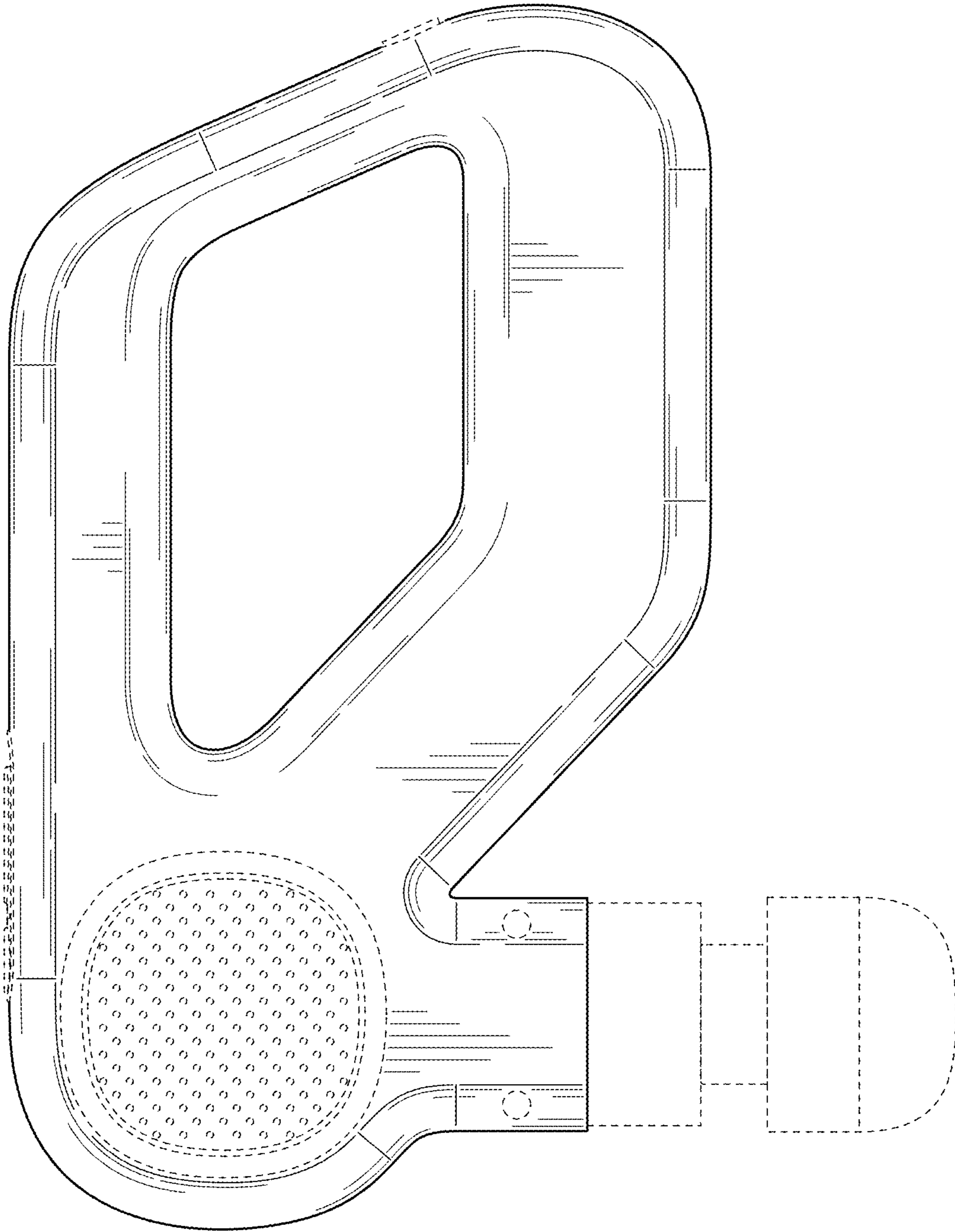


FIG. 4

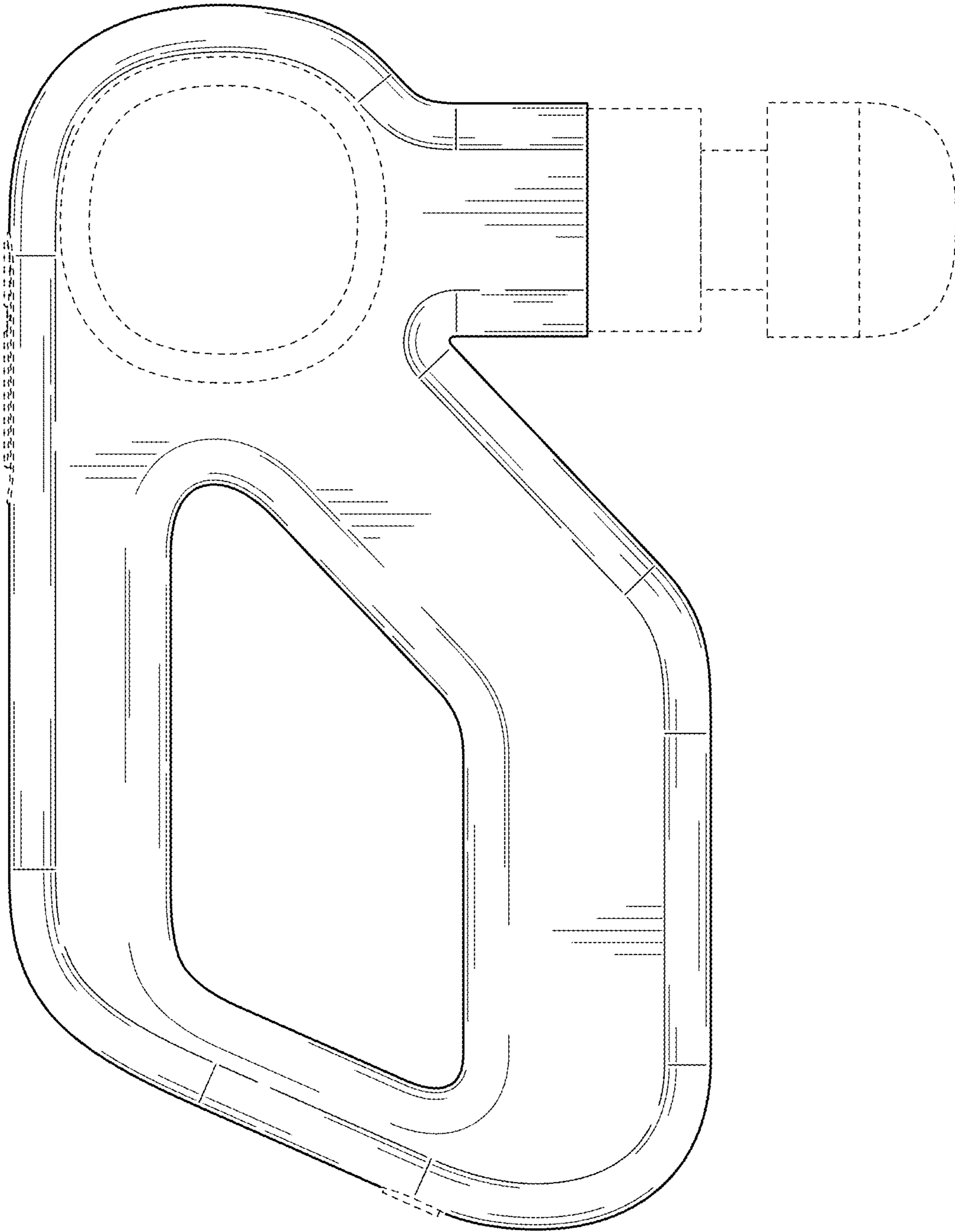


FIG. 5

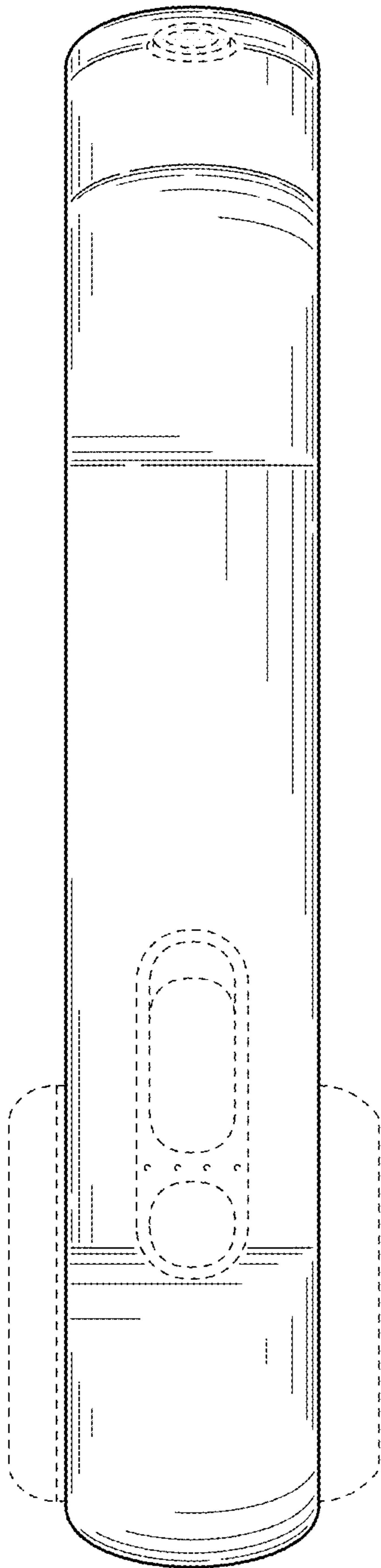


FIG. 6

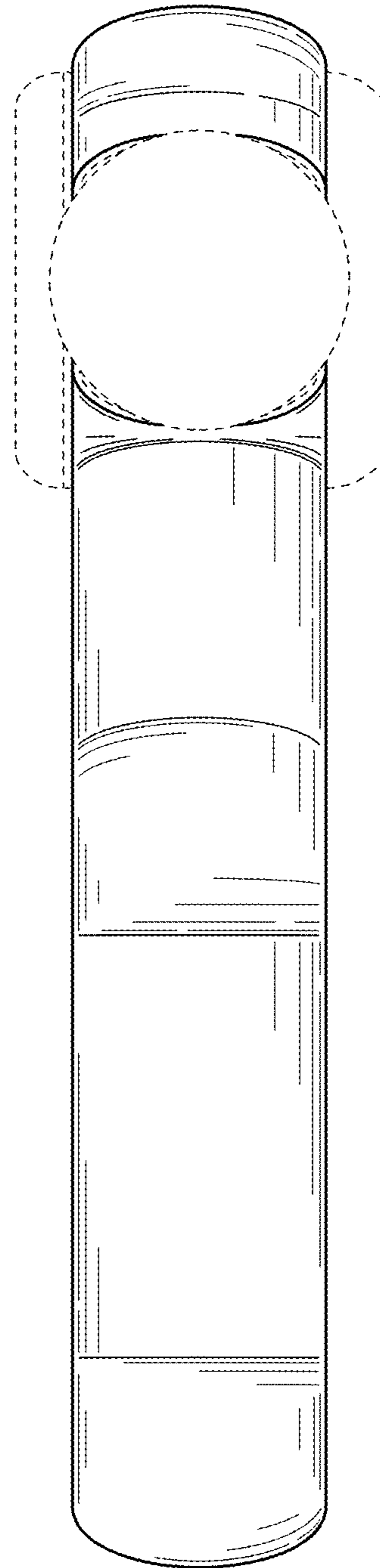


FIG. 7