



US00D949400S

(12) **United States Design Patent** (10) **Patent No.:** **US D949,400 S**
Wersland et al. (45) **Date of Patent:** **** Apr. 19, 2022**

(54) **VIBRATION THERAPY DEVICE**
(71) Applicant: **FLEXIR RECOVERY, LLC**, West Hollywood, CA (US)

D920,531 S * 5/2021 Xu D24/215
D920,532 S * 5/2021 Xu D24/215
D921,215 S * 6/2021 Xu D24/215

(Continued)

(72) Inventors: **Jason Wersland**, Manhattan Beach, CA (US); **Benjamin Nazarian**, Beverly Hills, CA (US); **Jaime Sanchez Solana**, Los Angeles, CA (US); **Eduardo Merino**, Beverly Hills, CA (US)

OTHER PUBLICATIONS

Bestbuy, "Flexir Recovery Muscle Massager", Oct. 5, 2021. <https://www.bestbuy.com/site/flexir-recovery-muscle-massager-black/6469987.p?skuId=6469987&ref=212&loc=1>. Shown on p. 1. (Year: 2021).*

(73) Assignee: **FLEXIR RECOVERY, LLC**, West Hollywood, CA (US)

Primary Examiner — Michael A Maharajh

(**) Term: **15 Years**

(74) *Attorney, Agent, or Firm* — Jeffer Mangels Butler & Mitchell LLP; Brennan C. Swain, Esq.

(21) Appl. No.: **29/739,186**

(57) **CLAIM**

(22) Filed: **Jun. 23, 2020**

The ornamental design for a vibration therapy device, as shown and described.

(51) **LOC (13) Cl.** **28-03**

(52) **U.S. Cl.**
USPC **D24/215**

DESCRIPTION

(58) **Field of Classification Search**
USPC D24/200, 211, 212, 213, 214, 215;
D8/14.1; D28/13
CPC A61H 15/0085; A61H 23/0263; A61H 1/008; A61H 15/00; A61H 1/006; A61H 2201/1635; A61H 15/02
See application file for complete search history.

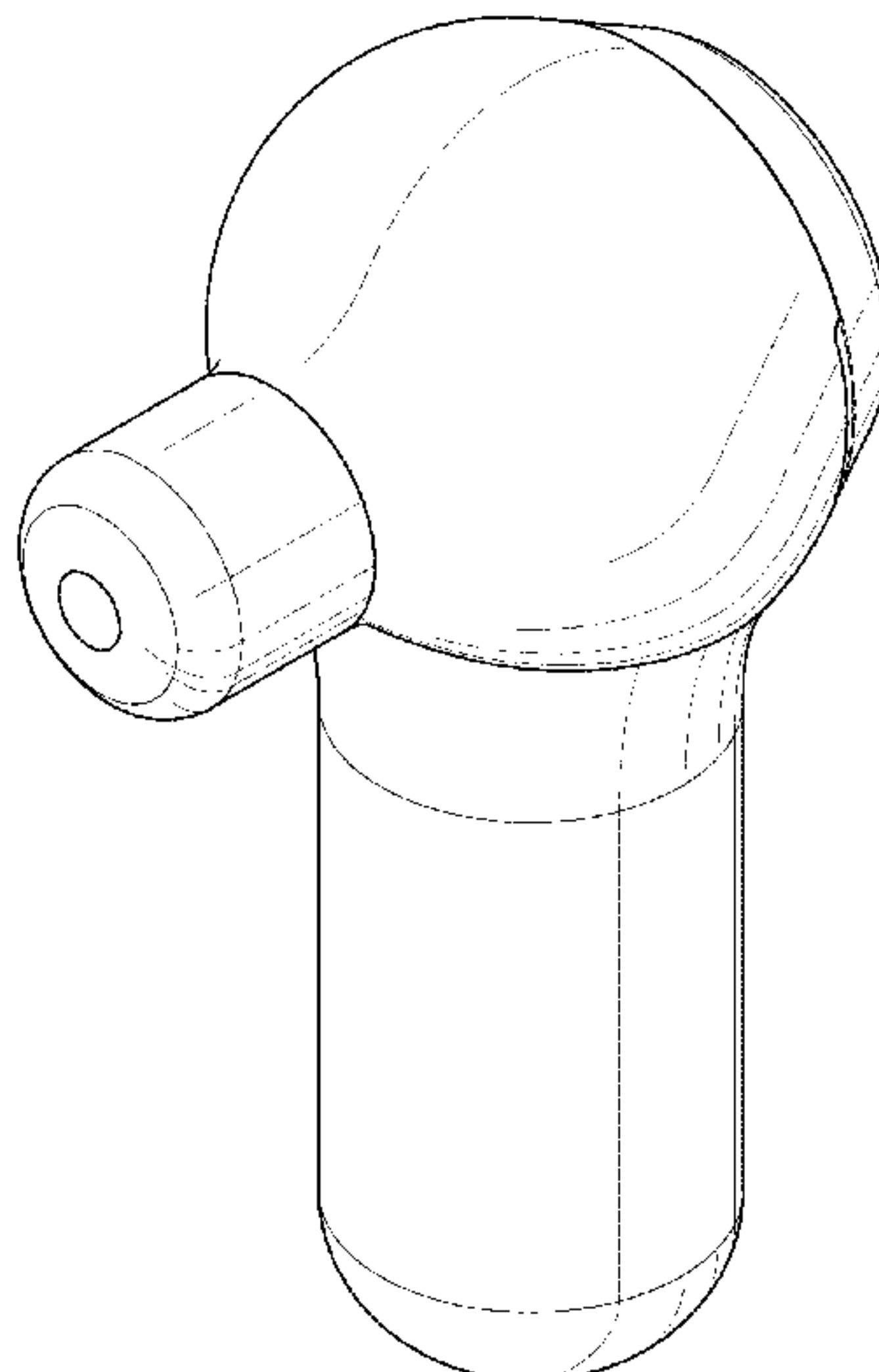
FIG. 1 is a perspective view of a vibration therapy device, showing our new design;
FIG. 2 is a front elevational view thereof;
FIG. 3 is a rear elevational view thereof;
FIG. 4 is a right side elevational thereof, the left side elevational view being a mirror image thereof;
FIG. 5 is a top plan view thereof;
FIG. 6 is a bottom plan view thereof;
FIG. 7 is a perspective view of a vibration therapy device, showing our new design;
FIG. 8 is a front elevational view thereof;
FIG. 9 is a rear elevational view thereof;
FIG. 10 is a right side elevational thereof, the left side elevational view being a mirror image thereof;
FIG. 11 is a top plan view thereof; and,
FIG. 12 is a bottom plan view thereof.
The broken lines shown in the figures are for the purpose of illustrating portions of the vibration therapy device that form no part of the claimed design.

(56) **References Cited**

U.S. PATENT DOCUMENTS

D356,162 S * 3/1995 Spahr D24/215
D478,385 S * 8/2003 Dirks D24/215
D837,636 S * 1/2019 Wersland D8/356
D847,364 S * 4/2019 Lee D24/215
D855,822 S 8/2019 Marton
D866,790 S * 11/2019 Lee D24/215
10,492,984 B2 12/2019 Marton
D874,015 S 1/2020 Marton
10,561,574 B1 2/2020 Marton
D886,317 S 6/2020 Marton
D900,329 S * 10/2020 Xu D24/215
D918,411 S * 5/2021 Xu D24/215

1 Claim, 12 Drawing Sheets



(56)

References Cited

U.S. PATENT DOCUMENTS

D924,424 S * 7/2021 Wang D24/215
D925,751 S * 7/2021 Wu D24/211
D932,038 S * 9/2021 Park D24/211
D932,045 S * 9/2021 Shen D24/215
2019/0254921 A1 8/2019 Marton
2020/0000678 A1* 1/2020 Kao A61H 1/00
2020/0085675 A1* 3/2020 Lee A61H 15/0085
2020/0214930 A1* 7/2020 Wersland A61H 1/00
2020/0352821 A1* 11/2020 Wersland A61H 23/0263
2020/0405574 A1* 12/2020 Wersland A61H 1/008
2021/0022955 A1* 1/2021 Wersland A61H 1/006
2021/0059898 A1* 3/2021 Wersland A61H 15/00
2021/0186800 A1* 6/2021 Wersland A61H 1/006

* cited by examiner

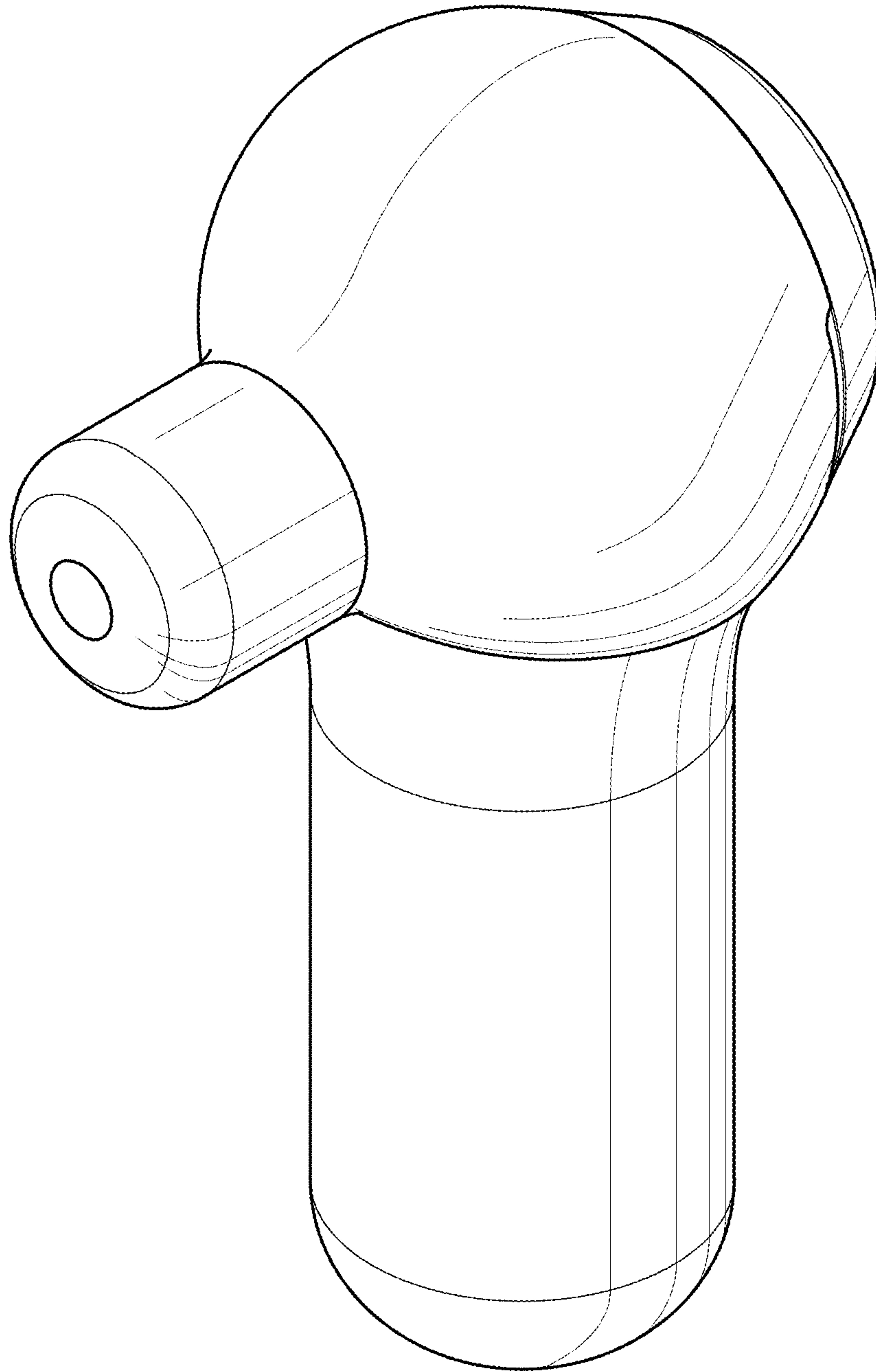


FIG. 1

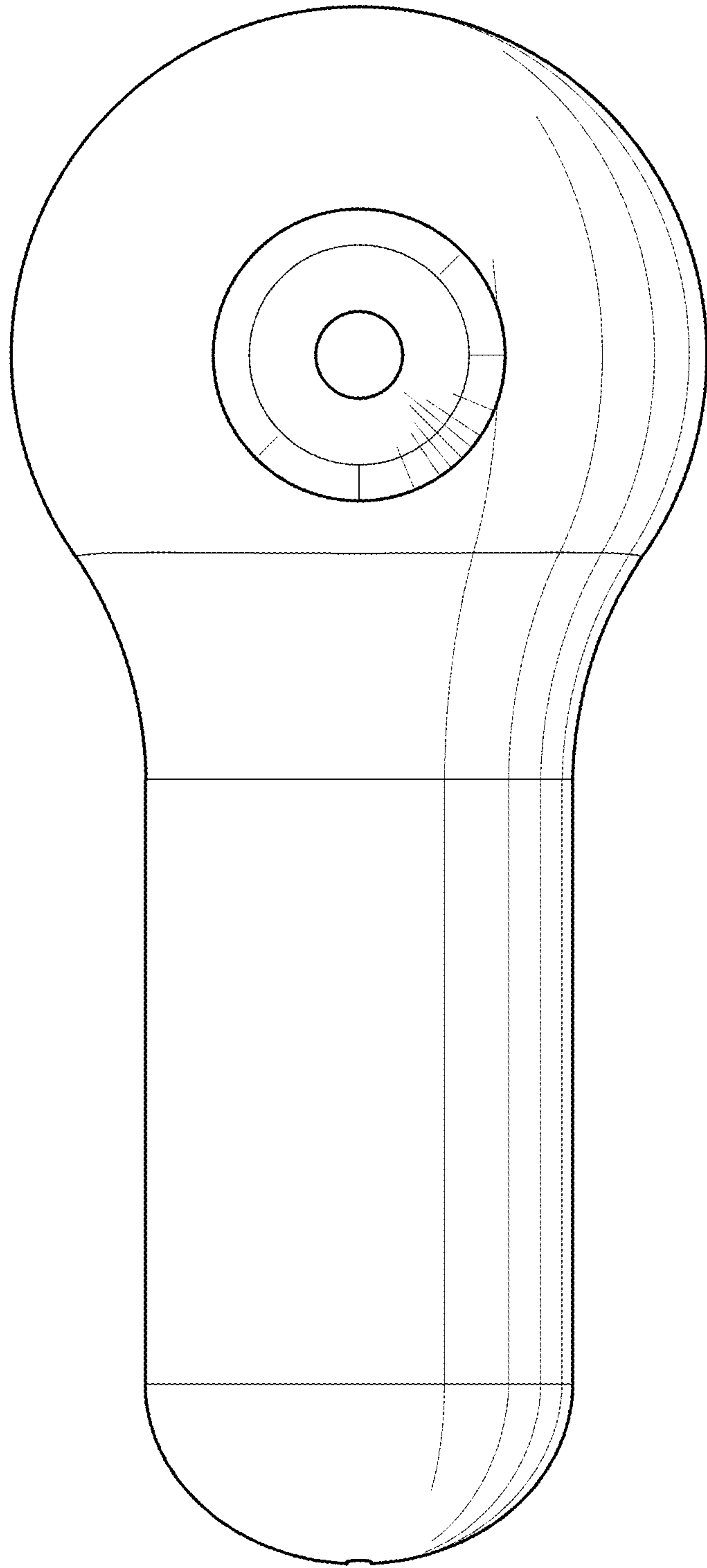


FIG. 2

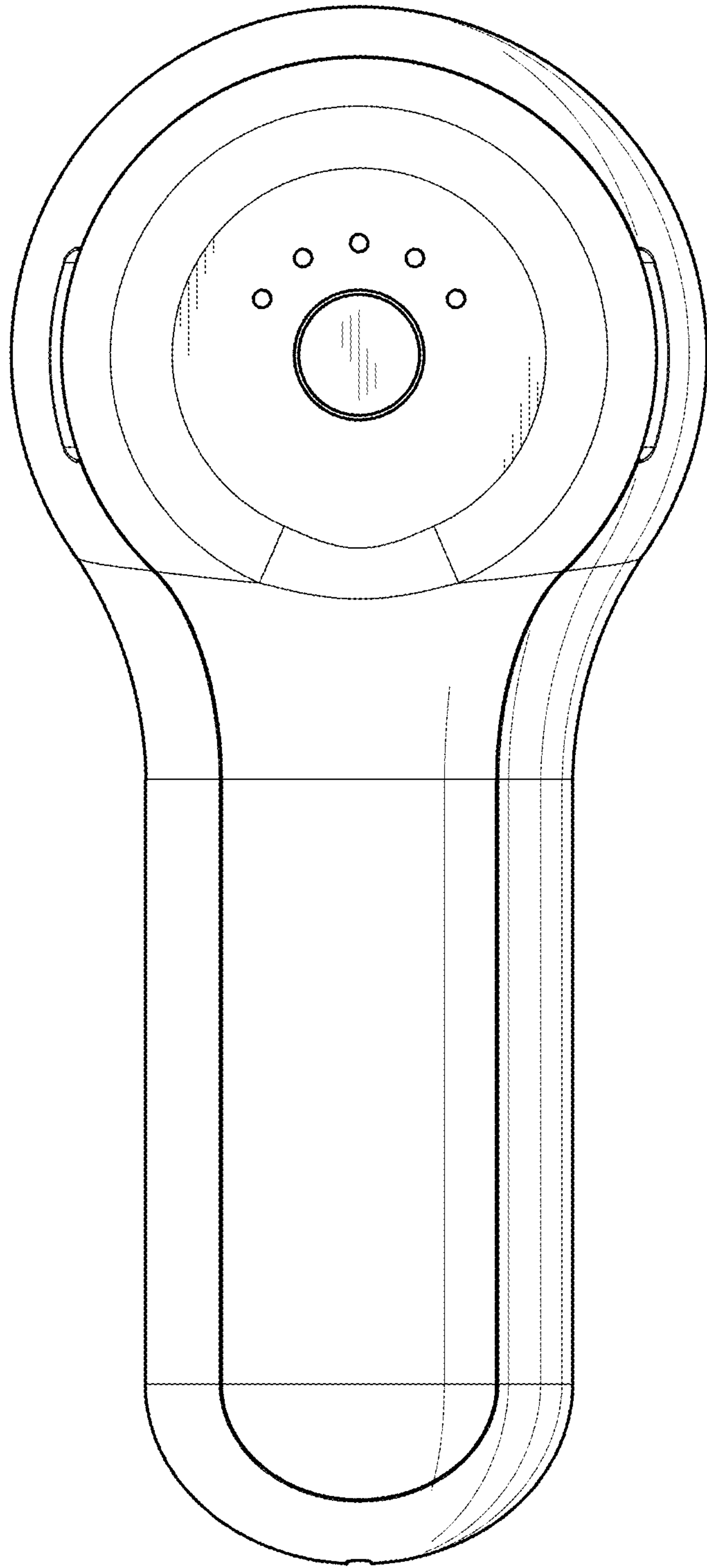


FIG. 3

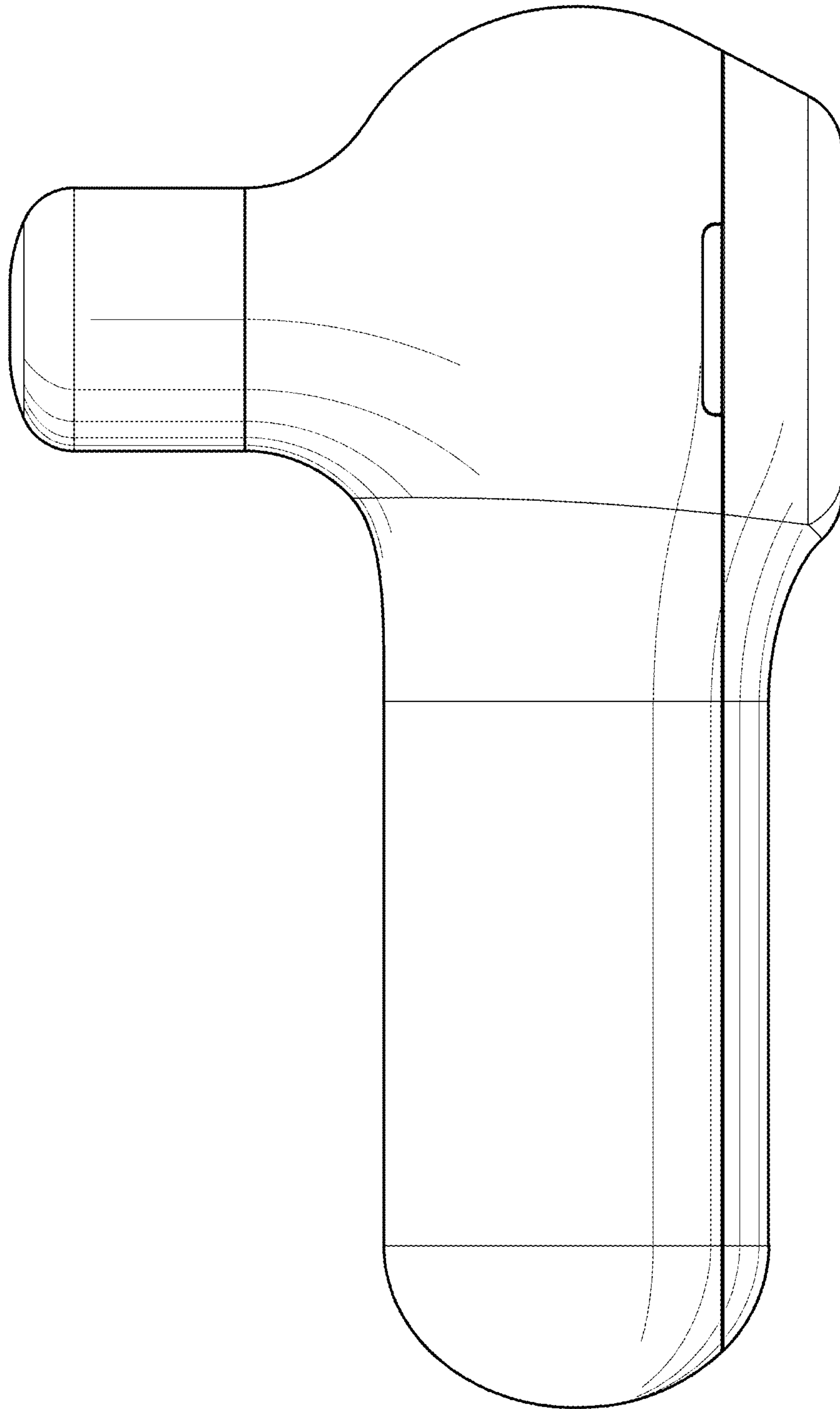


FIG. 4

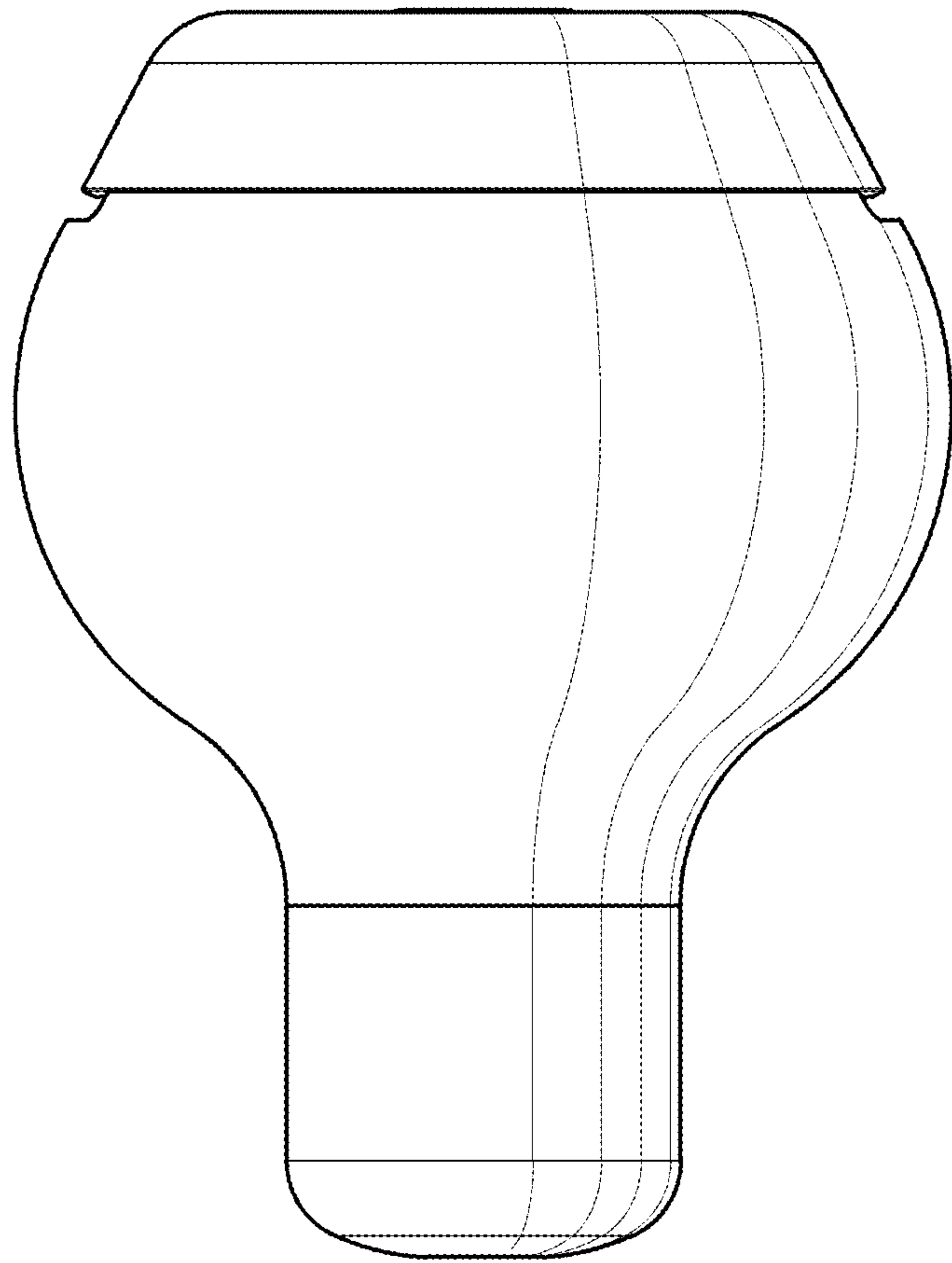


FIG. 5

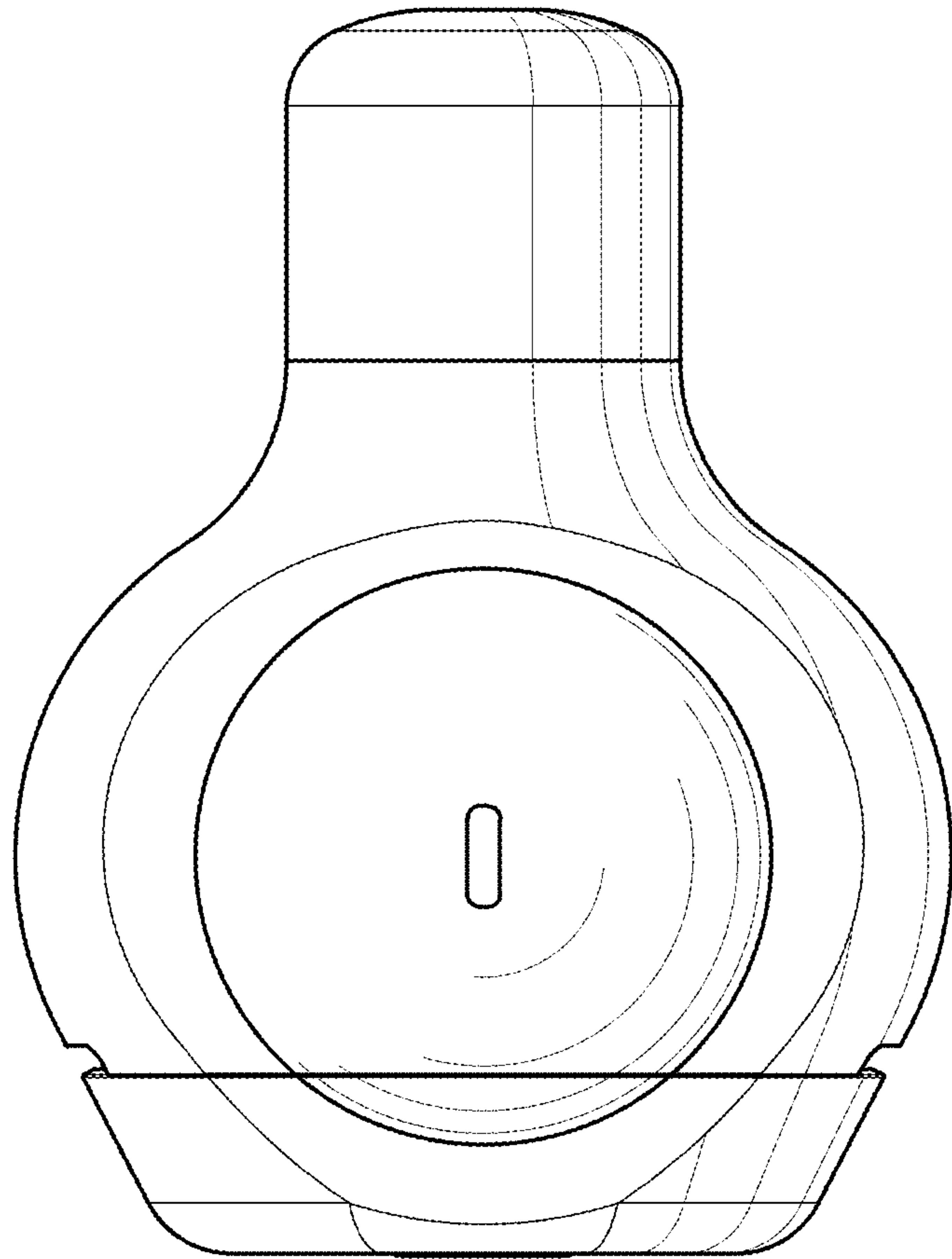


FIG. 6

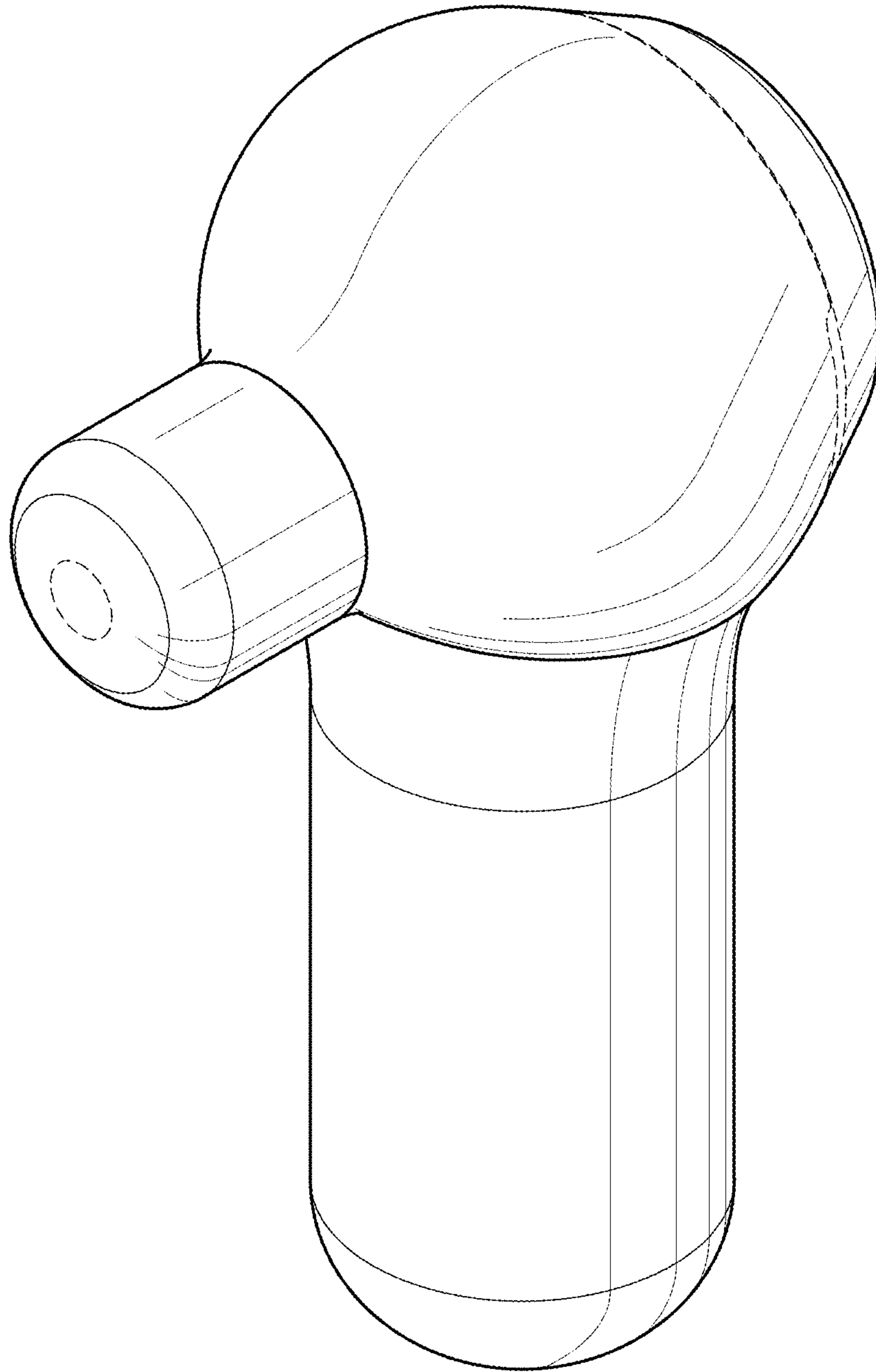


FIG. 7

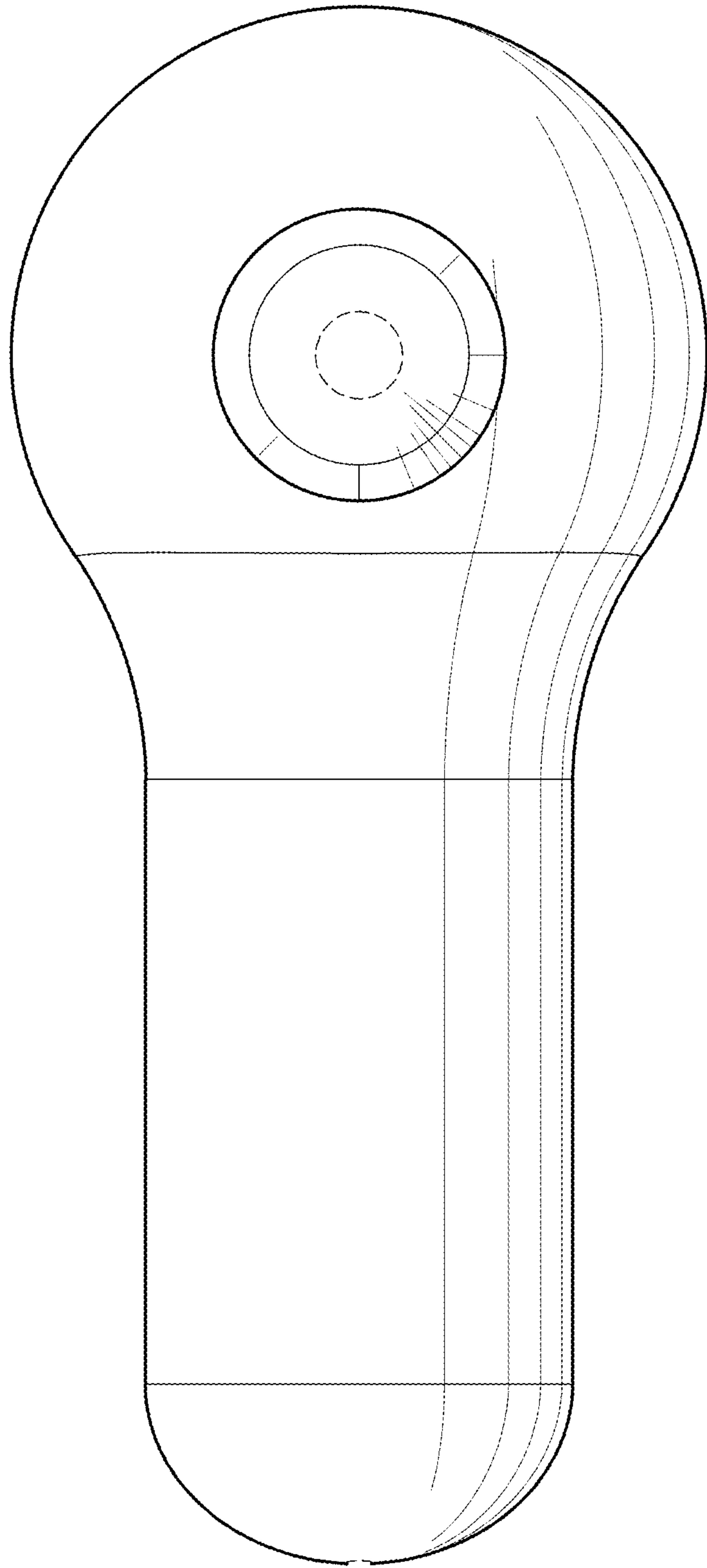


FIG. 8

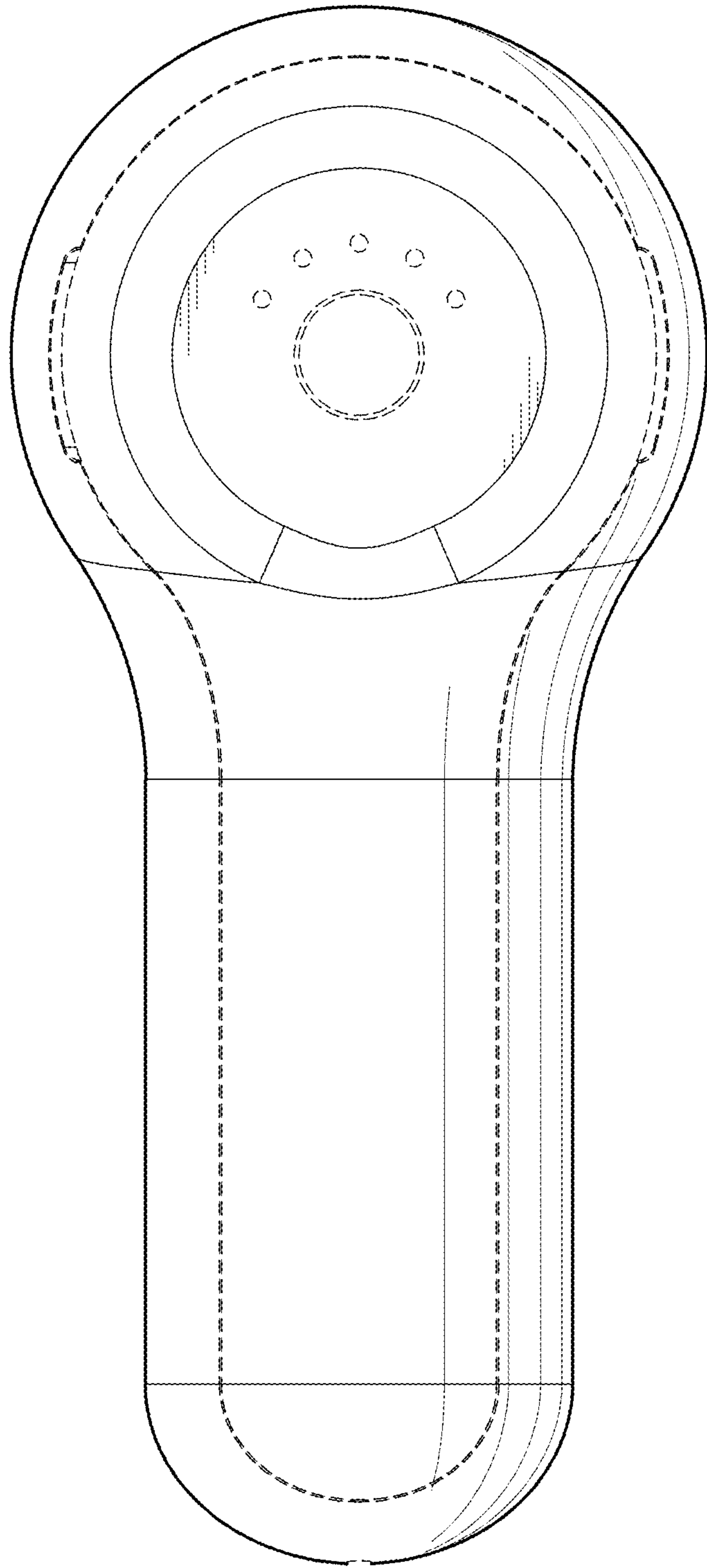


FIG. 9

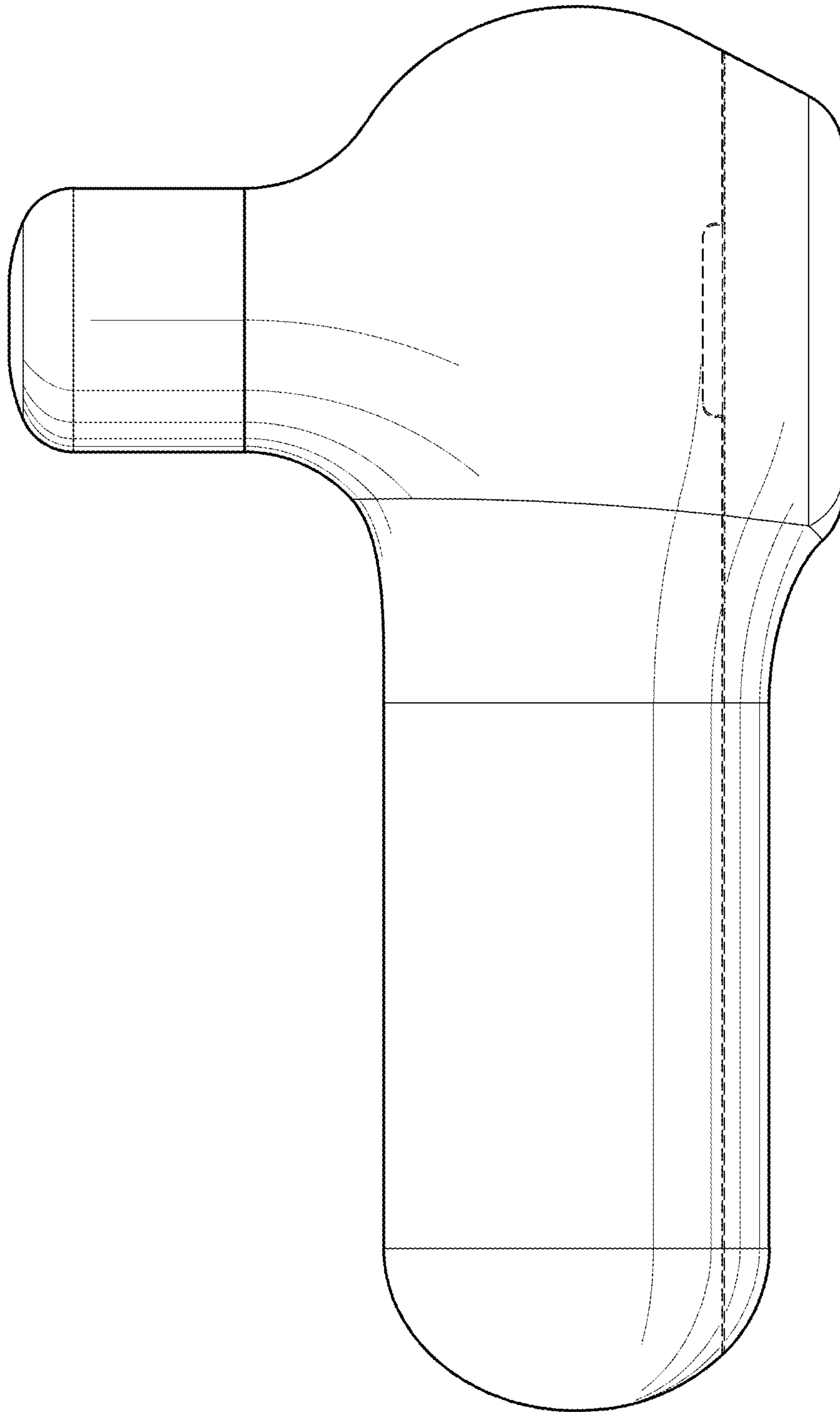


FIG. 10

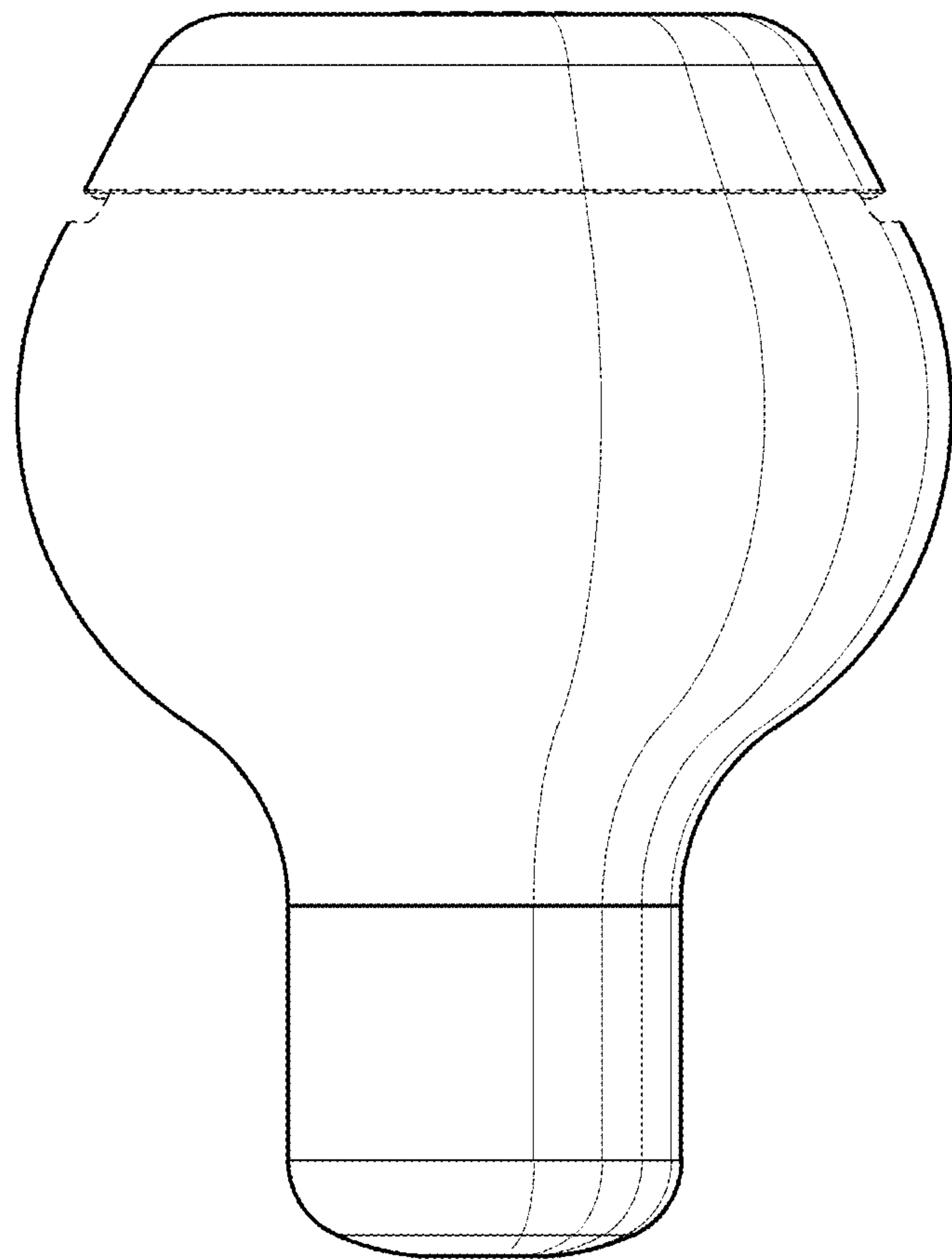


FIG. 11

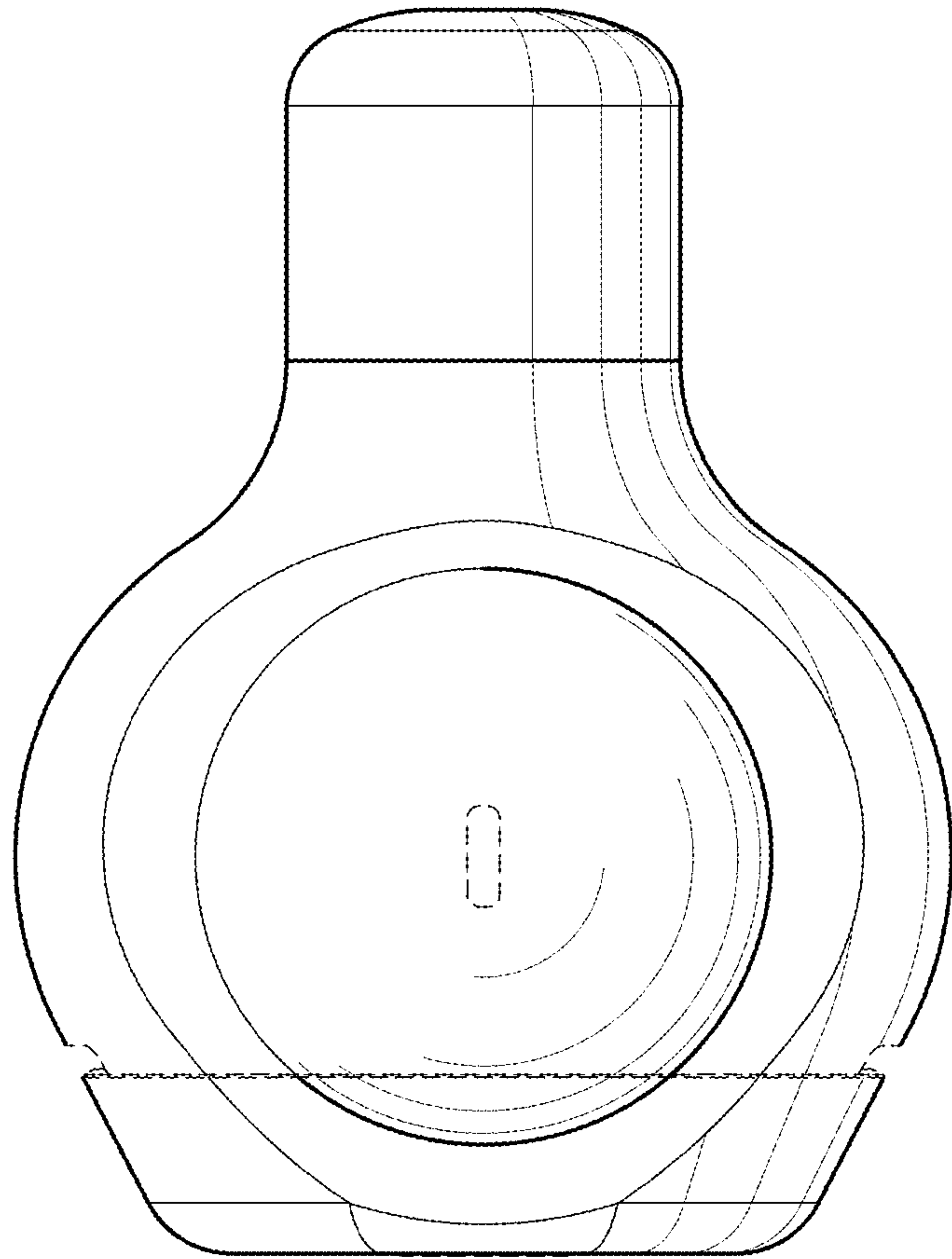


FIG. 12