



US00D949399S

(12) **United States Design Patent**
Gawrychowski

(10) **Patent No.:** **US D949,399 S**

(45) **Date of Patent:** **** Apr. 19, 2022**

- (54) **PERSONAL MASSAGER**
- (71) Applicant: **GOLDBERG IMPORTS INC.**,
Hallandale, FL (US)
- (72) Inventor: **Michael Gawrychowski**, Hallandale,
FL (US)
- (73) Assignee: **GOLDBERG IMPORTS INC.**,
Hallandale, FL (US)
- (**) Term: **15 Years**
- (21) Appl. No.: **29/738,863**
- (22) Filed: **Jun. 19, 2020**
- (51) **LOC (13) Cl.** **28-03**
- (52) **U.S. Cl.**
USPC **D24/215**
- (58) **Field of Classification Search**
USPC D24/119, 133, 141, 172, 200, 211, 212,
D24/213, 214, 215; D30/160; D14/228
CPC A61H 19/32; A61H 19/44; A61H 19/50
See application file for complete search history.

(56) **References Cited**

U.S. PATENT DOCUMENTS

D228,473 S *	9/1973	Koshido et al.	D24/214
D272,649 S *	2/1984	Bloch	D21/662
D304,974 S *	12/1989	Heiligenstein	D24/215
D311,955 S *	11/1990	Lie	D24/211
D315,408 S *	3/1991	Duk	D24/211
D329,290 S *	9/1992	Geneve	D24/211
D338,070 S *	8/1993	Lam	D24/214
D374,084 S *	9/1996	Chen	D24/211
D384,158 S *	9/1997	Kain	D24/200
D398,402 S *	9/1998	Kirk	D24/211
D465,852 S *	11/2002	Bloch	D24/211
D509,301 S *	9/2005	Talbot	D24/215
D510,628 S *	10/2005	Talbot	D24/214
D558,887 S *	1/2008	Nan	D24/105
D559,992 S *	1/2008	Potter	D24/214

D585,560 S *	1/2009	Wu	D24/215
D600,357 S *	9/2009	Chaput	D24/214
D620,601 S *	7/2010	TerMeer	D24/215
D637,729 S *	5/2011	Tompkin	D24/215
D649,656 S *	11/2011	Petersen	D24/215
D674,109 S *	1/2013	Sedic	D24/215
D681,842 S *	5/2013	Chang	D24/215
D704,345 S *	5/2014	Tai	D24/215
D739,546 S *	9/2015	Cheung	D24/215
D740,433 S *	10/2015	Zhu	A61H 15/0085 D24/215
D759,261 S *	6/2016	Son	D24/215
D760,914 S *	7/2016	Hutchinson	D24/215
D802,783 S *	11/2017	Marshall	D24/215
D802,784 S *	11/2017	Lee	D24/215
D817,507 S *	5/2018	Cheung	D24/215
D818,142 S *	5/2018	Cheung	D24/215

(Continued)

OTHER PUBLICATIONS

Amazon, "New Lulu 7 Upgraded Personal Wand Massager", Dec. 6, 2020. https://www.amazon.com/LuLu-Therapeutic-Wand-Massager-Hypoallergenic/dp/B01M7M8FE7/ref=pd_lpo_2?pd_rd_i=B01M7M8FE7&th=1. Shown on p. 1. (Year: 2020).*

Primary Examiner — Michael A Maharajh

(74) *Attorney, Agent, or Firm* — Pete Adams Law, PLLC

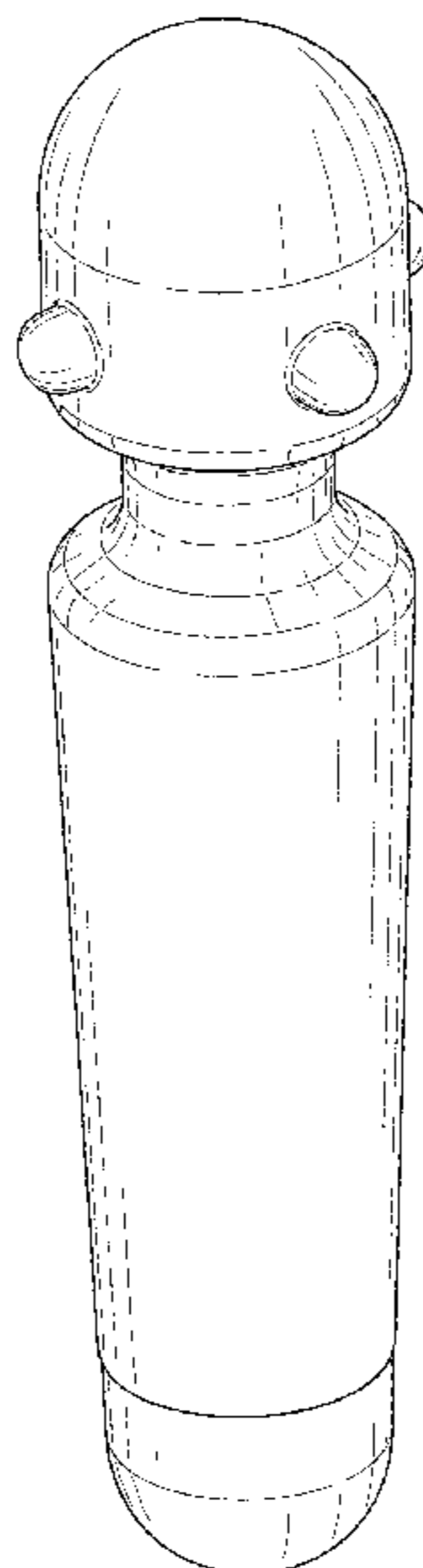
(57) **CLAIM**

The ornamental design for a personal massager, as shown and described.

DESCRIPTION

FIG. 1 is a perspective view of the personal massager;
FIG. 2 is a front view thereof;
FIG. 3 is a rear view thereof;
FIG. 4 is a right side view thereof;
FIG. 5 is a left side view thereof;
FIG. 6 is a top view thereof; and,
FIG. 7 is a bottom view thereof.

1 Claim, 4 Drawing Sheets



(56)

References Cited

U.S. PATENT DOCUMENTS

D818,143	S	*	5/2018	Cheung	D24/215
D826,418	S	*	8/2018	Lad	D24/215
D826,422	S	*	8/2018	Cheung	D24/215
D827,849	S	*	9/2018	Marshall	D24/215
D842,492	S	*	3/2019	Iurchenko	D24/215
D844,801	S	*	4/2019	Cheung	D24/215
D865,989	S	*	11/2019	Colclough	D24/215
D868,989	S	*	12/2019	Marshall	D24/215
D874,673	S	*	2/2020	Cheung	D24/215
D874,676	S	*	2/2020	Song	D24/215
D882,816	S	*	4/2020	Dumler	D24/215
D886,319	S	*	6/2020	Sugimoto	D24/215
D890,944	S	*	7/2020	Tsang	D24/215
D893,042	S	*	8/2020	Lin	D24/215
10,744,061	B2	*	8/2020	Guang	A61H 19/34
D895,828	S	*	9/2020	Marshall	D24/215
D905,259	S	*	12/2020	Wang	D24/206
D905,265	S	*	12/2020	Tsang	D24/215
D905,861	S	*	12/2020	Yang	D24/215
D905,864	S	*	12/2020	Rhodes	D24/215
D912,266	S	*	3/2021	Chen	D24/215
D912,839	S	*	3/2021	Yang	D24/215
D914,228	S	*	3/2021	Lin	D24/215
D926,334	S	*	7/2021	Gawrychowski	D24/215
D926,337	S	*	7/2021	Wang	D24/215

* cited by examiner

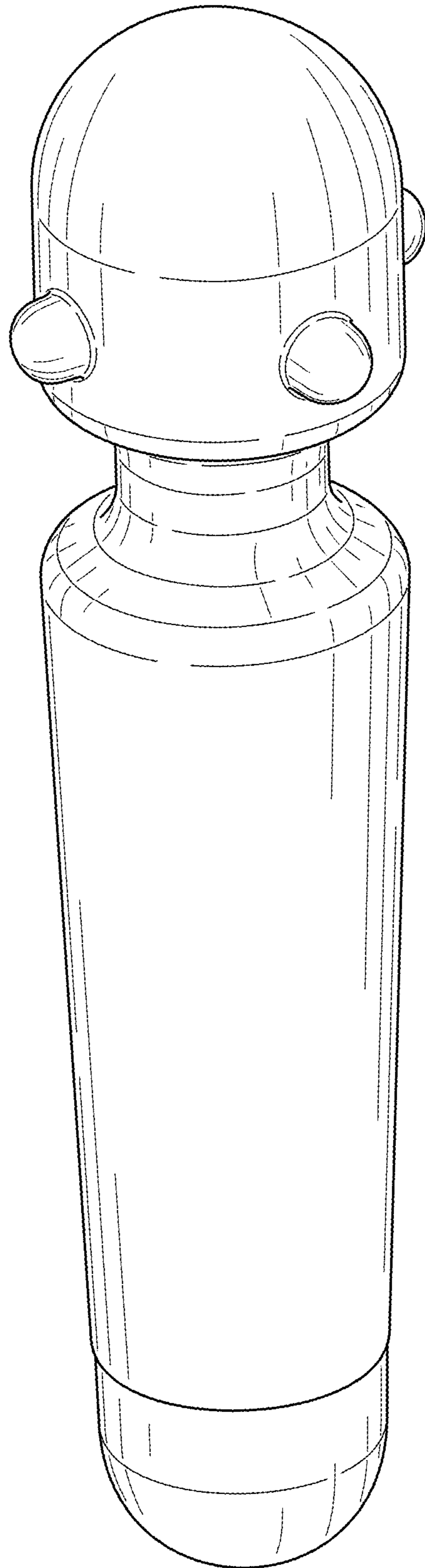


FIG. 1

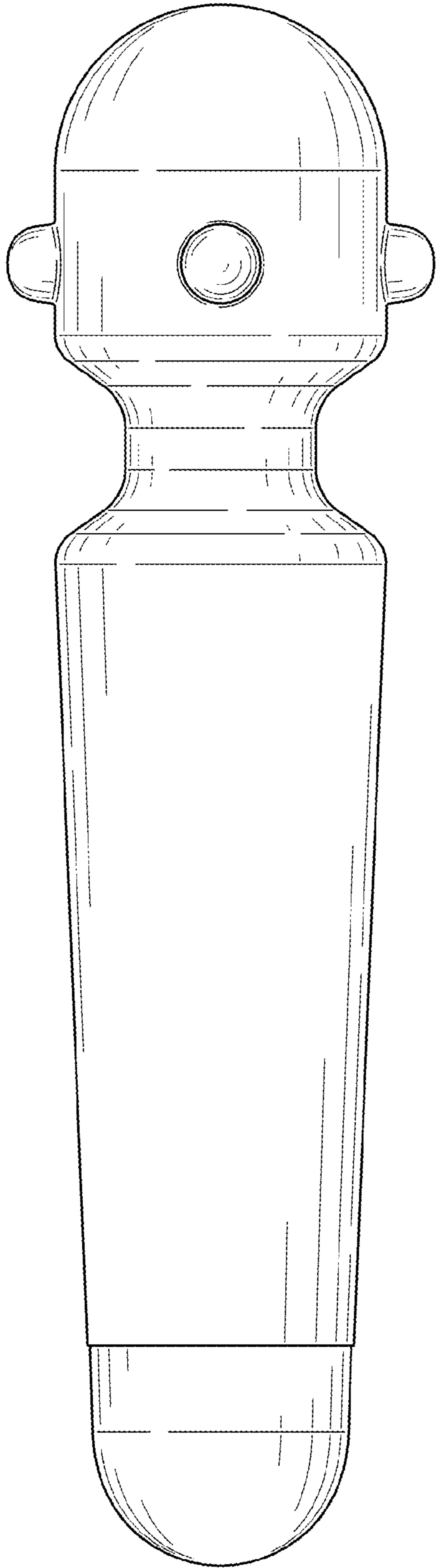


FIG. 2

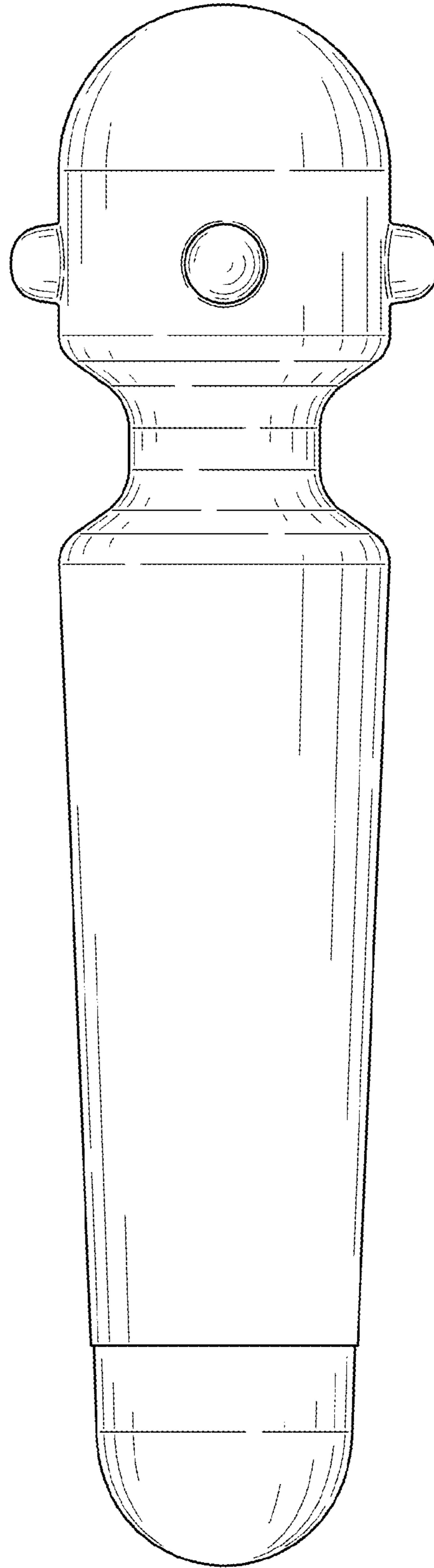


FIG. 3

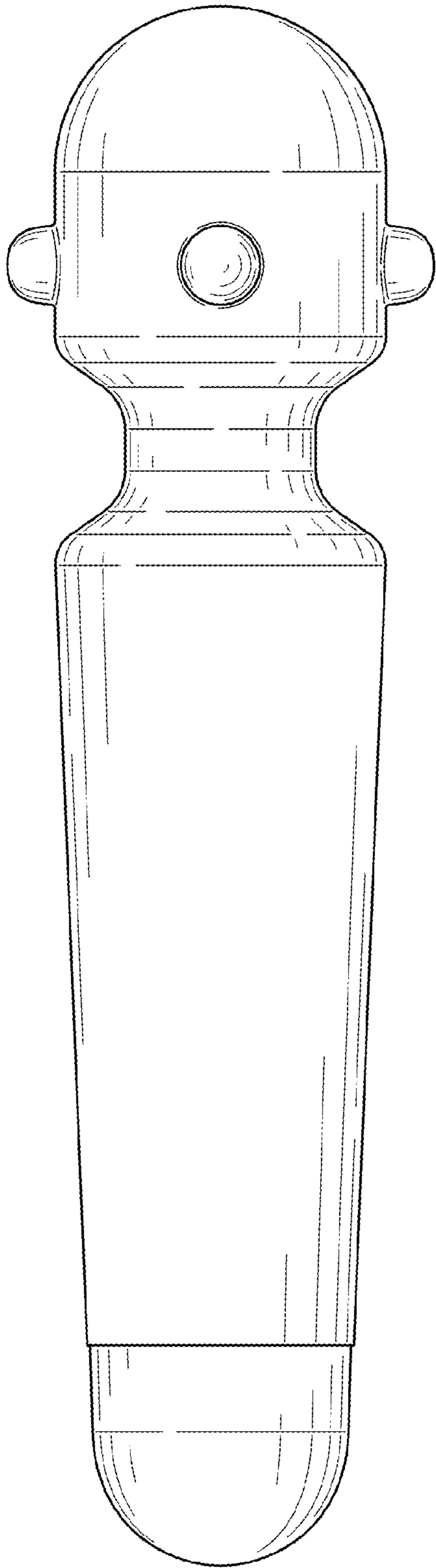


FIG. 4

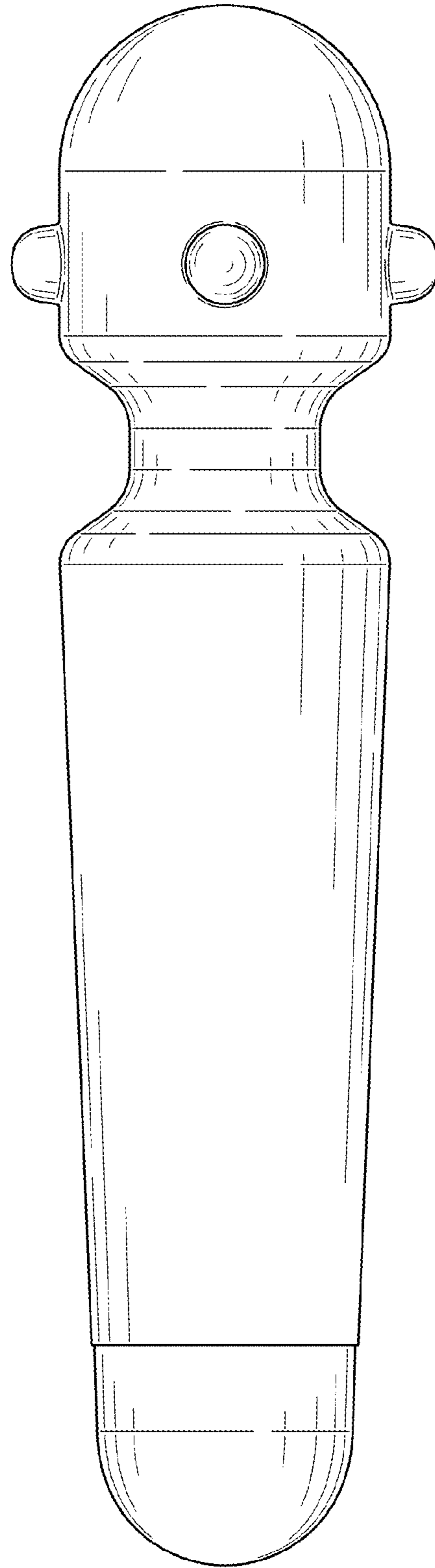


FIG. 5

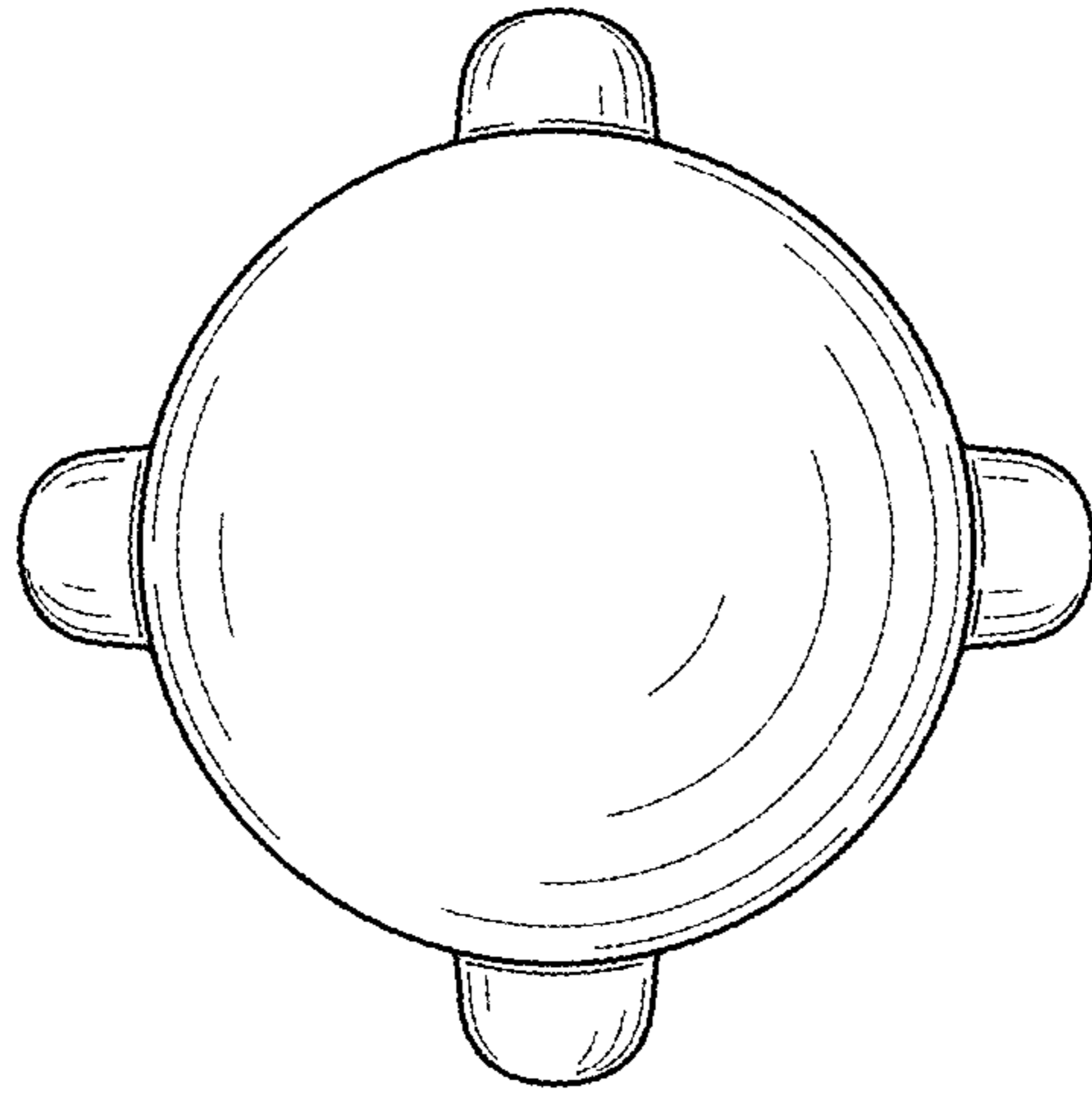


FIG. 6

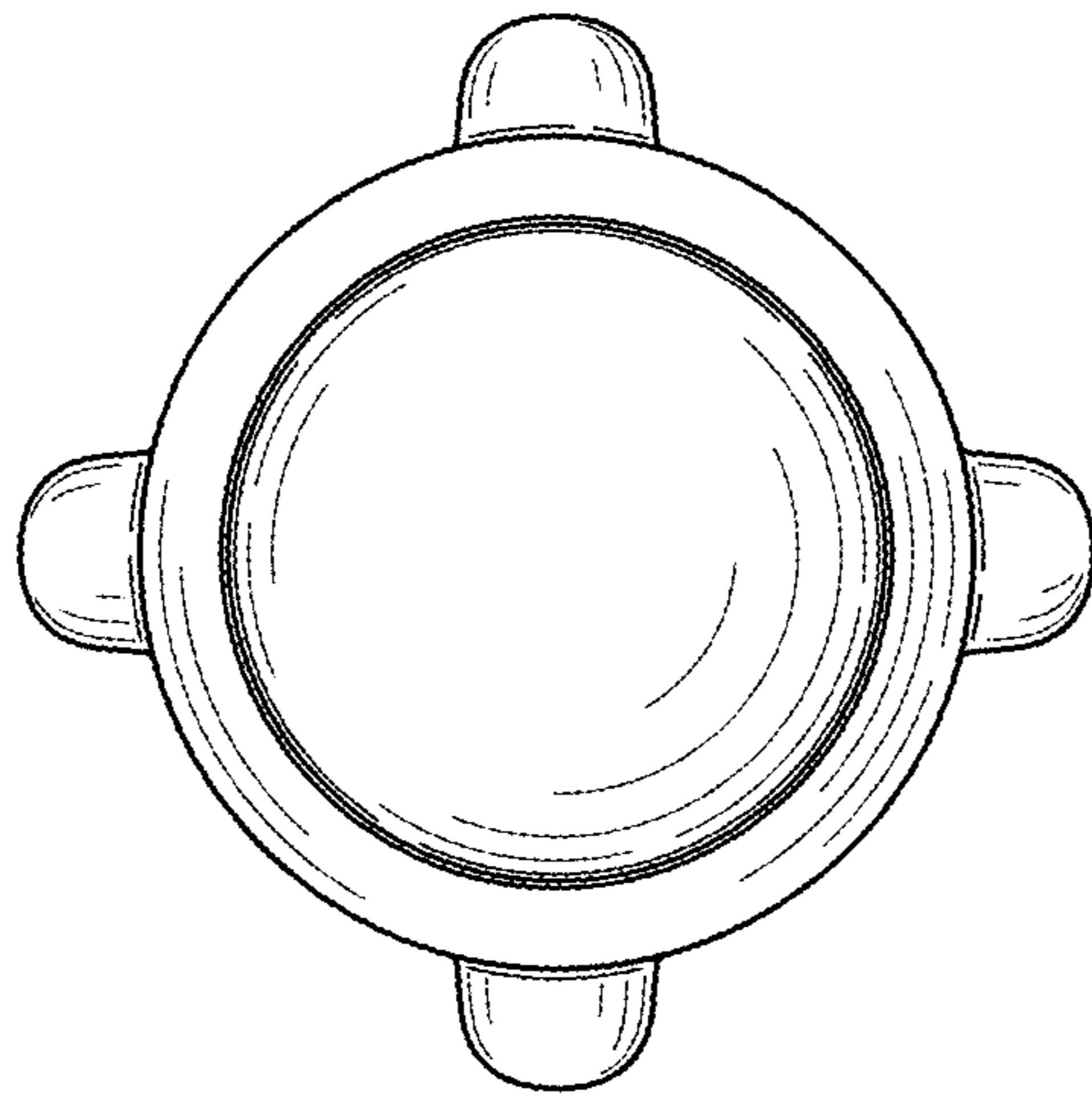


FIG. 7