



US00D949396S

(12) **United States Design Patent** (10) **Patent No.:** **US D949,396 S**  
**Li** (45) **Date of Patent:** **\*\* Apr. 19, 2022**

(54) **FASCIA GUN**  
(71) Applicant: **Gangxuan Li**, Yongkang (CN)  
(72) Inventor: **Gangxuan Li**, Yongkang (CN)  
(\*\*) Term: **15 Years**  
(21) Appl. No.: **29/732,503**  
(22) Filed: **Apr. 24, 2020**  
(51) **LOC (13) Cl.** ..... **28-03**  
(52) **U.S. Cl.**  
USPC ..... **D24/215**  
(58) **Field of Classification Search**  
USPC ..... D24/200, 211, 212, 213, 214, 215;  
D8/14.1; D28/13, 44.1  
CPC ..... A61H 2201/1635; A61H 23/006; A61H  
1/00; A61H 15/02; A61H 1/008  
See application file for complete search history.

D899,620 S \* 10/2020 Huang ..... D24/215  
D905,863 S \* 12/2020 Lin ..... D24/215  
D906,533 S \* 12/2020 Xu ..... D24/215  
D907,229 S \* 1/2021 Zhang ..... D24/215  
D907,230 S \* 1/2021 Zhang ..... D24/215  
D908,908 S \* 1/2021 Xu ..... D24/215  
D910,194 S \* 2/2021 Radtke ..... D24/215  
D911,535 S \* 2/2021 Yu ..... D24/200  
D912,267 S \* 3/2021 Tang ..... D24/215  
D913,516 S \* 3/2021 Zhang ..... D24/215  
D913,517 S \* 3/2021 Yu ..... D24/215  
D914,966 S \* 3/2021 Kim ..... D28/13  
D916,307 S \* 4/2021 Xiong ..... D24/215  
D917,060 S \* 4/2021 Hu ..... D24/215

(Continued)

OTHER PUBLICATIONS

iReliev, "iReliev Percussion Massage Gun", Aug. 17, 2020. <https://ireliev.com/product/percussion-massage-gun/>. Shown on p. 1. (Year: 2020).\*

(Continued)

Primary Examiner — Michael A Maharajh

(56) **References Cited**

U.S. PATENT DOCUMENTS

D616,558 S \* 5/2010 Tsai ..... D24/200  
D808,076 S \* 1/2018 Gabriele ..... D28/44.1  
D844,896 S \* 4/2019 Levi ..... D28/44.1  
D855,822 S \* 8/2019 Marton ..... D24/215  
D863,571 S \* 10/2019 Yang ..... D24/200  
D873,432 S \* 1/2020 Duan ..... D24/214  
D874,015 S \* 1/2020 Marton ..... D24/215  
D875,961 S \* 2/2020 Li ..... D24/211  
D884,205 S \* 5/2020 Zhuang ..... D24/215  
D884,207 S \* 5/2020 Ma ..... D24/215  
D886,317 S \* 6/2020 Marton ..... D24/215  
D893,738 S \* 8/2020 Zhuang ..... D24/215  
D895,132 S \* 9/2020 Hu ..... D24/215  
D895,133 S \* 9/2020 Xu ..... D24/215  
D895,135 S \* 9/2020 Xu ..... D24/215  
D895,829 S \* 9/2020 Hu ..... D24/215  
D895,831 S \* 9/2020 Chen ..... D24/215  
D898,209 S \* 10/2020 Xu ..... D24/214  
D898,933 S \* 10/2020 Xu ..... D24/215

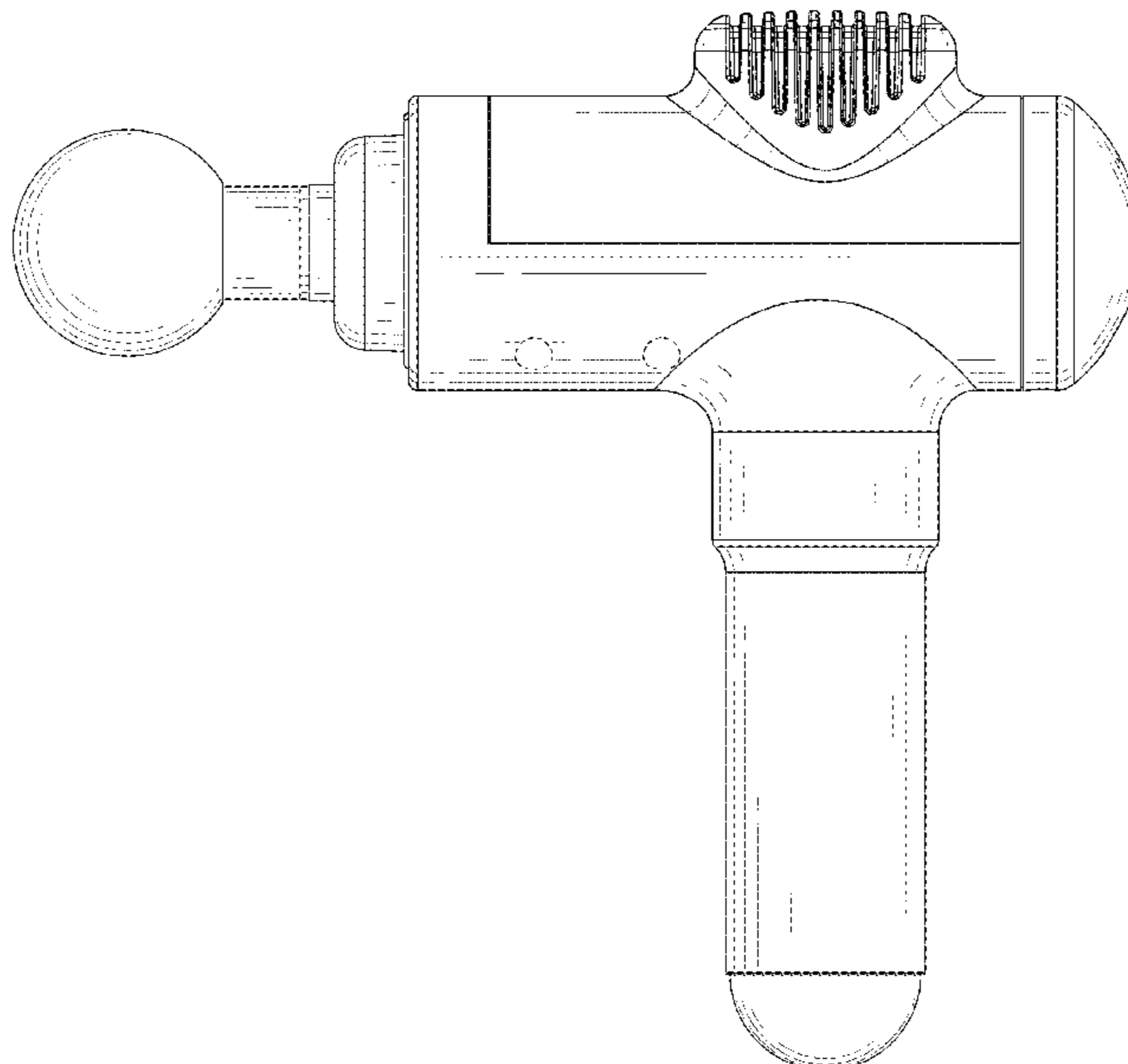
(57) **CLAIM**

The ornamental design for a fascia gun, as shown and described.

**DESCRIPTION**

FIG. 1 is a front elevational view of a fascia gun showing my new design;  
FIG. 2 is a rear elevational view thereof;  
FIG. 3 is a left side view thereof;  
FIG. 4 is a right side view thereof;  
FIG. 5 is a top plan view thereof;  
FIG. 6 is a bottom plan view thereof; and,  
FIG. 7 is a perspective view thereof.  
The broken lines in the drawing depict portions of the fascia gun that form no part of the claimed design.

**1 Claim, 7 Drawing Sheets**



(56)

References Cited

U.S. PATENT DOCUMENTS

D918,408 S \* 5/2021 Huang ..... D24/215  
D921,916 S \* 6/2021 Xu ..... D24/215  
D921,917 S \* 6/2021 Xu ..... D24/215  
D923,187 S \* 6/2021 Ma ..... D24/211  
D923,188 S \* 6/2021 Xu ..... D24/211  
D923,190 S \* 6/2021 Xu ..... D24/214  
D923,194 S \* 6/2021 Xu ..... D24/215  
D924,422 S \* 7/2021 Huang ..... D24/215  
D924,425 S \* 7/2021 Grbic ..... D24/215  
D925,751 S \* 7/2021 Wu ..... D24/211  
D925,755 S \* 7/2021 Zheng ..... D24/215  
D925,756 S \* 7/2021 Xu ..... D24/215  
D925,758 S \* 7/2021 Xu ..... D24/215  
D926,333 S \* 7/2021 Zhang ..... D24/215  
D926,335 S \* 7/2021 Zhang ..... D24/215  
D926,338 S \* 7/2021 Xu ..... D24/215  
D927,714 S \* 8/2021 Li ..... D24/215  
D927,715 S \* 8/2021 Li ..... D24/215

D928,338 S \* 8/2021 Hu ..... D24/215  
D929,601 S \* 8/2021 Lin ..... D24/215  
D931,481 S \* 9/2021 Li ..... D24/211  
D931,487 S \* 9/2021 Li ..... D24/215  
D933,250 S \* 10/2021 Shen ..... D24/211  
D933,844 S \* 10/2021 Chen ..... D24/214  
D933,845 S \* 10/2021 Zheng ..... D24/215  
D934,440 S \* 10/2021 Zheng ..... D24/214  
D934,441 S \* 10/2021 Zhang ..... D24/215  
2016/0338899 A1 \* 11/2016 Howson ..... A61H 7/001  
2019/0254921 A1 \* 8/2019 Marton ..... A61H 23/006  
2020/0390644 A1 \* 12/2020 Yang ..... A61H 15/00

OTHER PUBLICATIONS

Amazon, "Massage Gun", Jul. 17, 2020. [https://www.amazon.com/Percussion-iReliev-Massager-Masajeador-Recovery/dp/B08D6ZK1LV/ref=cm\\_cr\\_arp\\_d\\_product\\_top?ie=UTF8](https://www.amazon.com/Percussion-iReliev-Massager-Masajeador-Recovery/dp/B08D6ZK1LV/ref=cm_cr_arp_d_product_top?ie=UTF8). Shown on p. 1. (Year: 2020).\*

\* cited by examiner

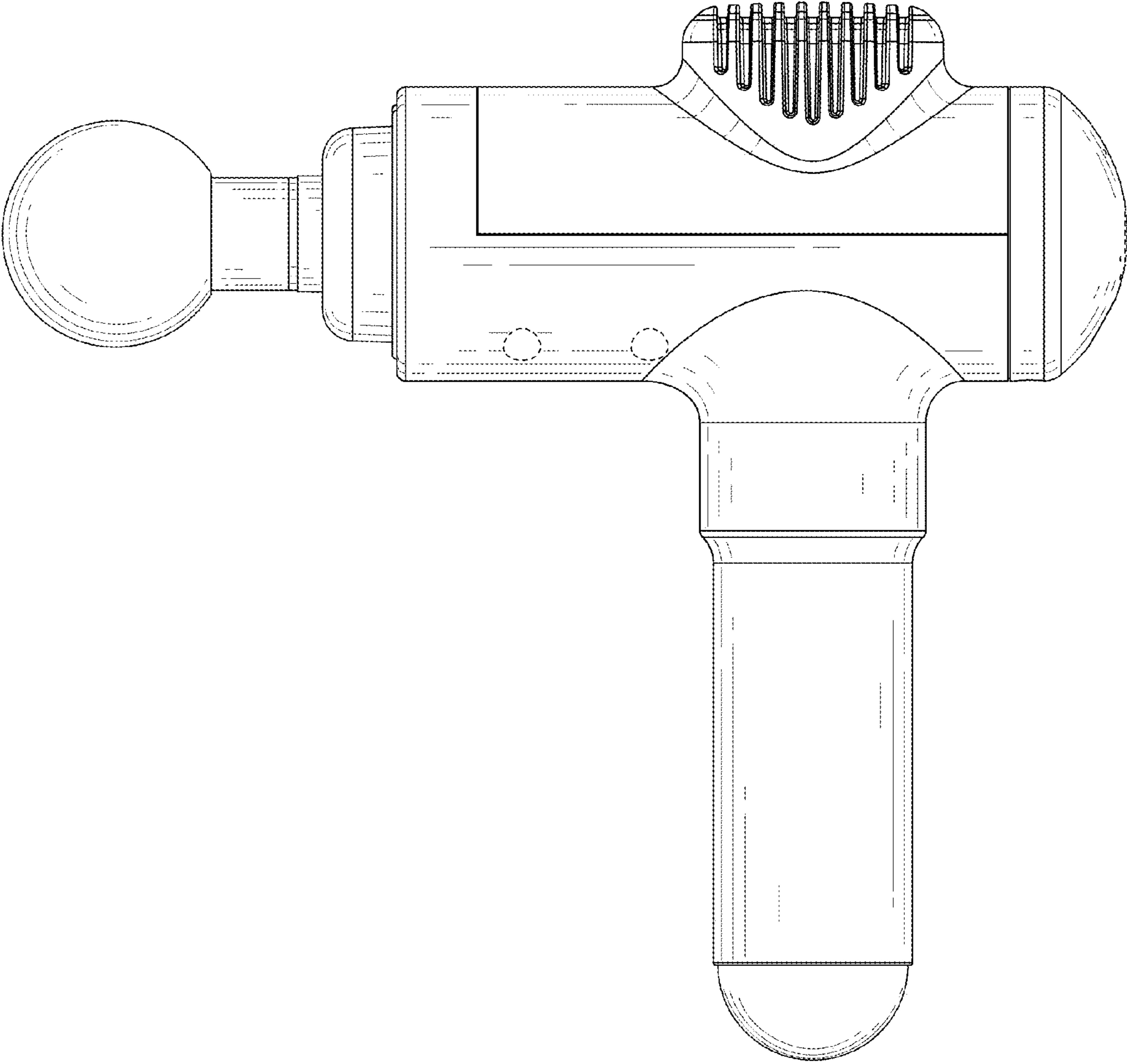


FIG. 1

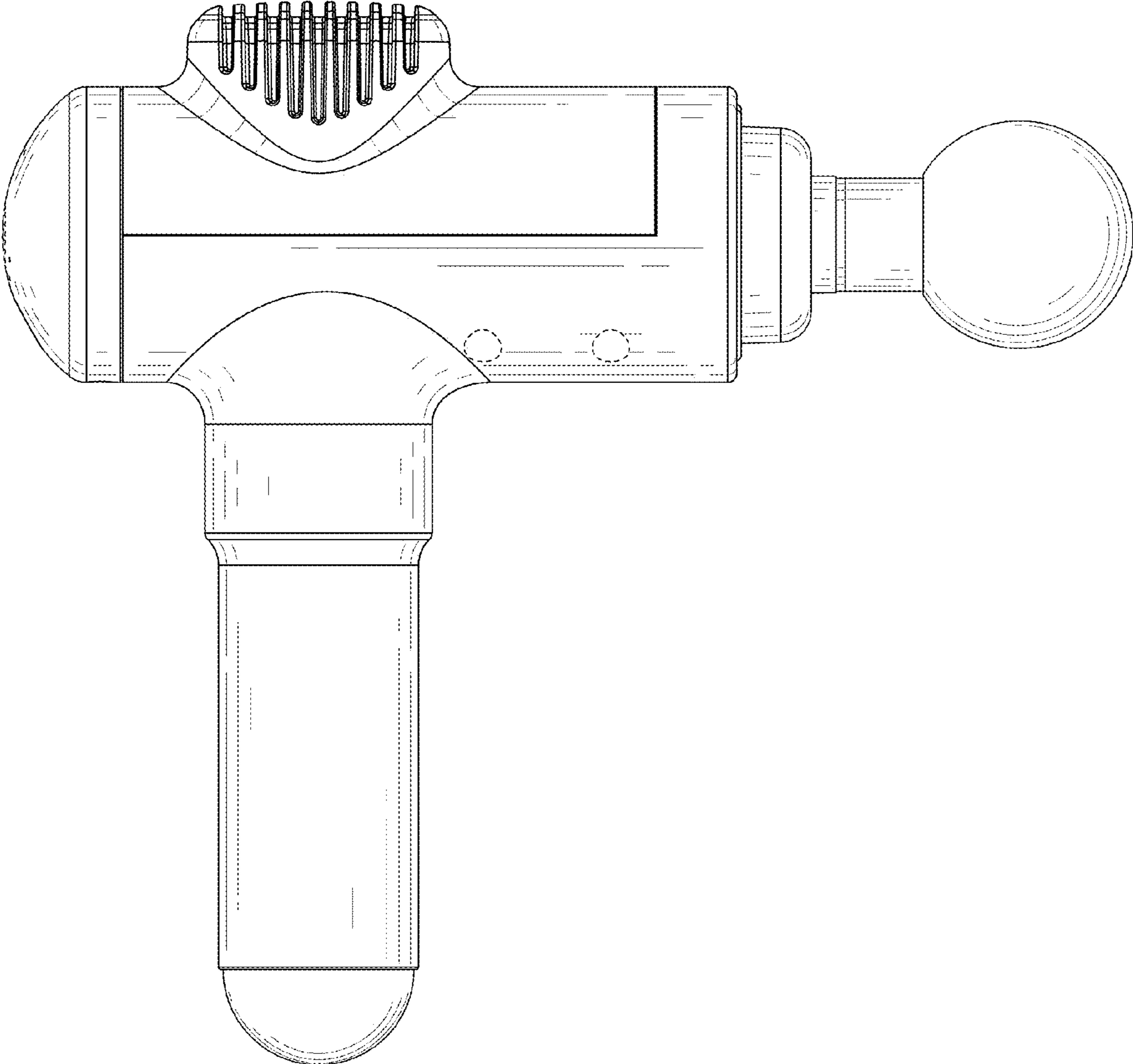


FIG. 2

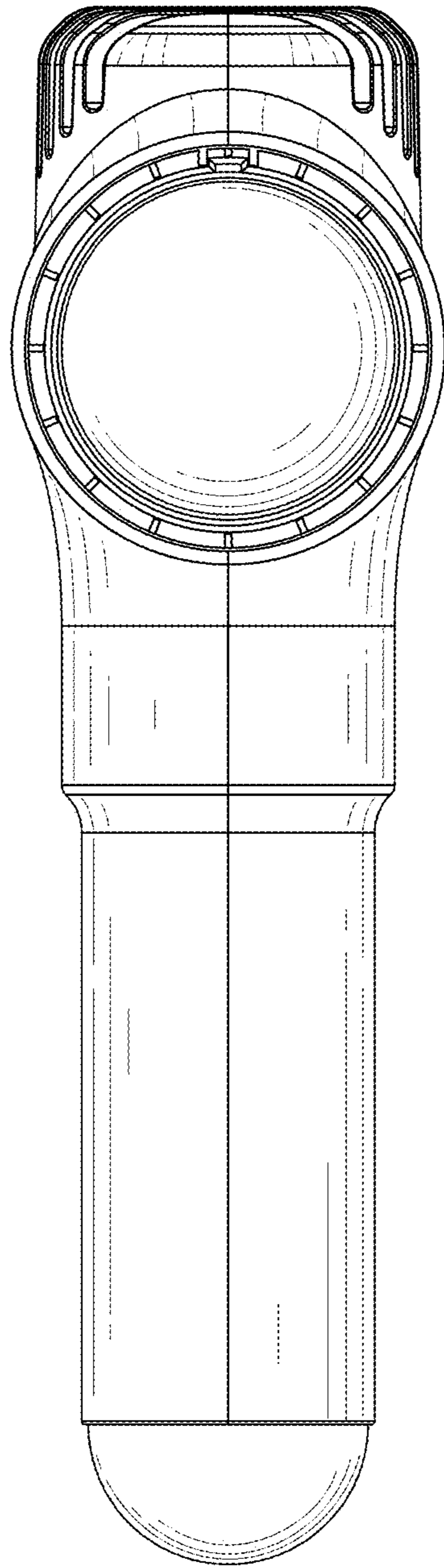


FIG. 3

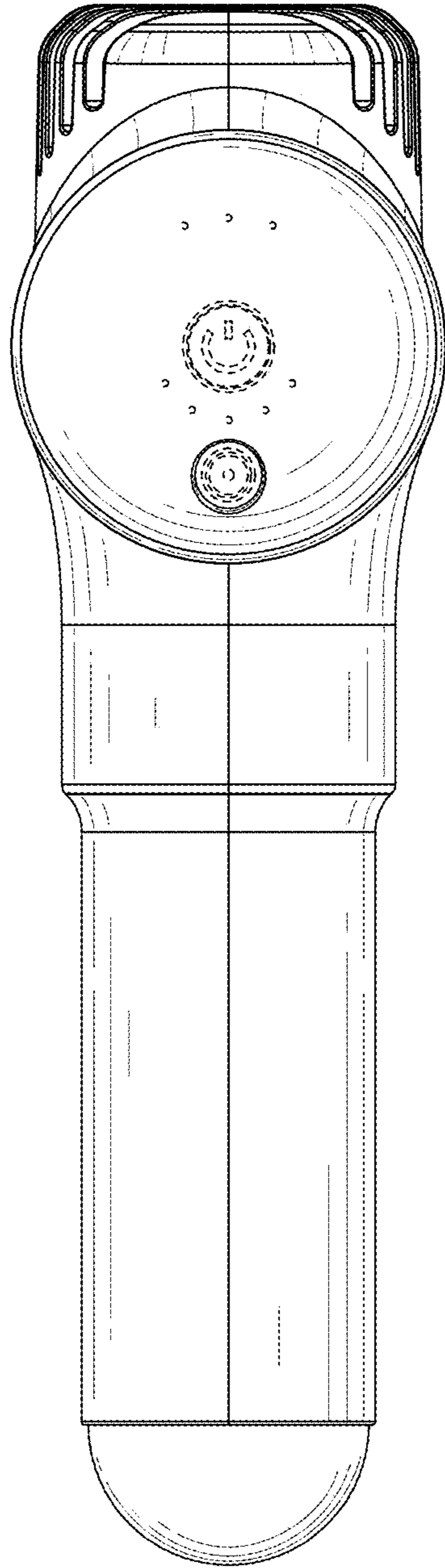


FIG. 4

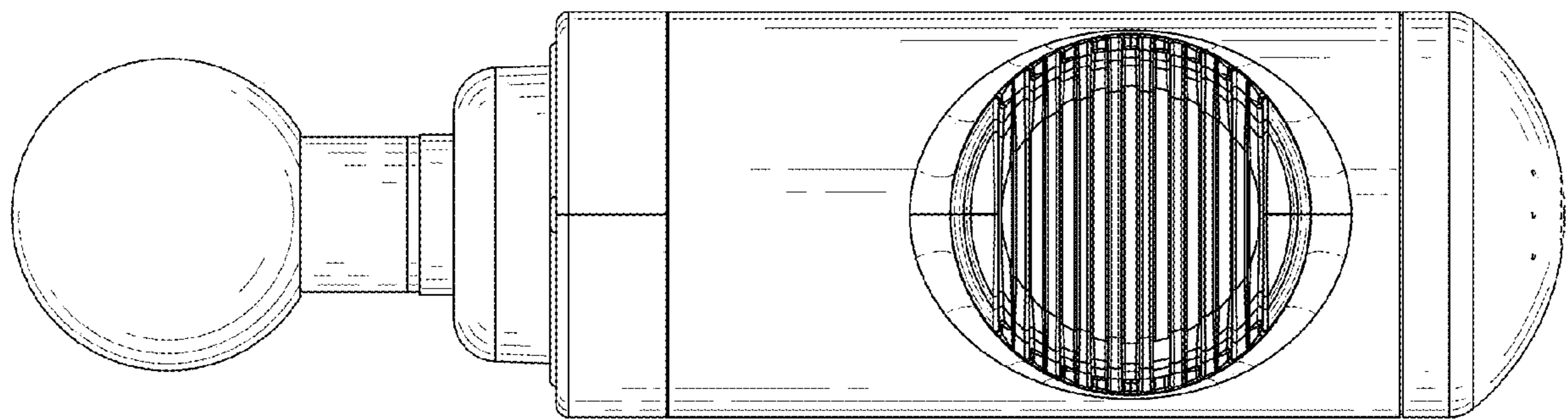


FIG. 5

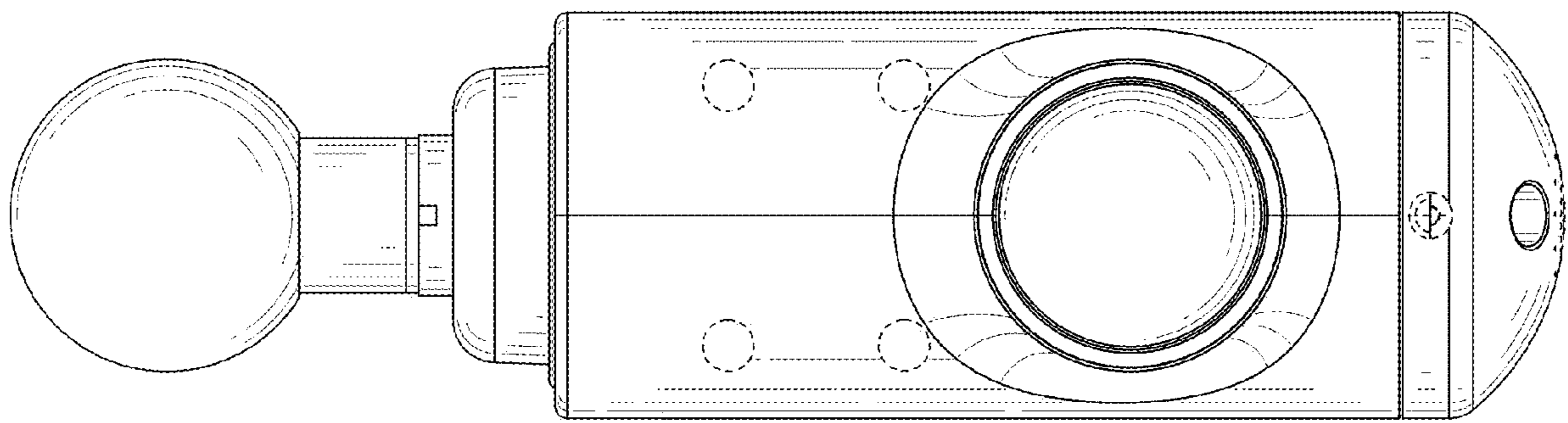


FIG. 6



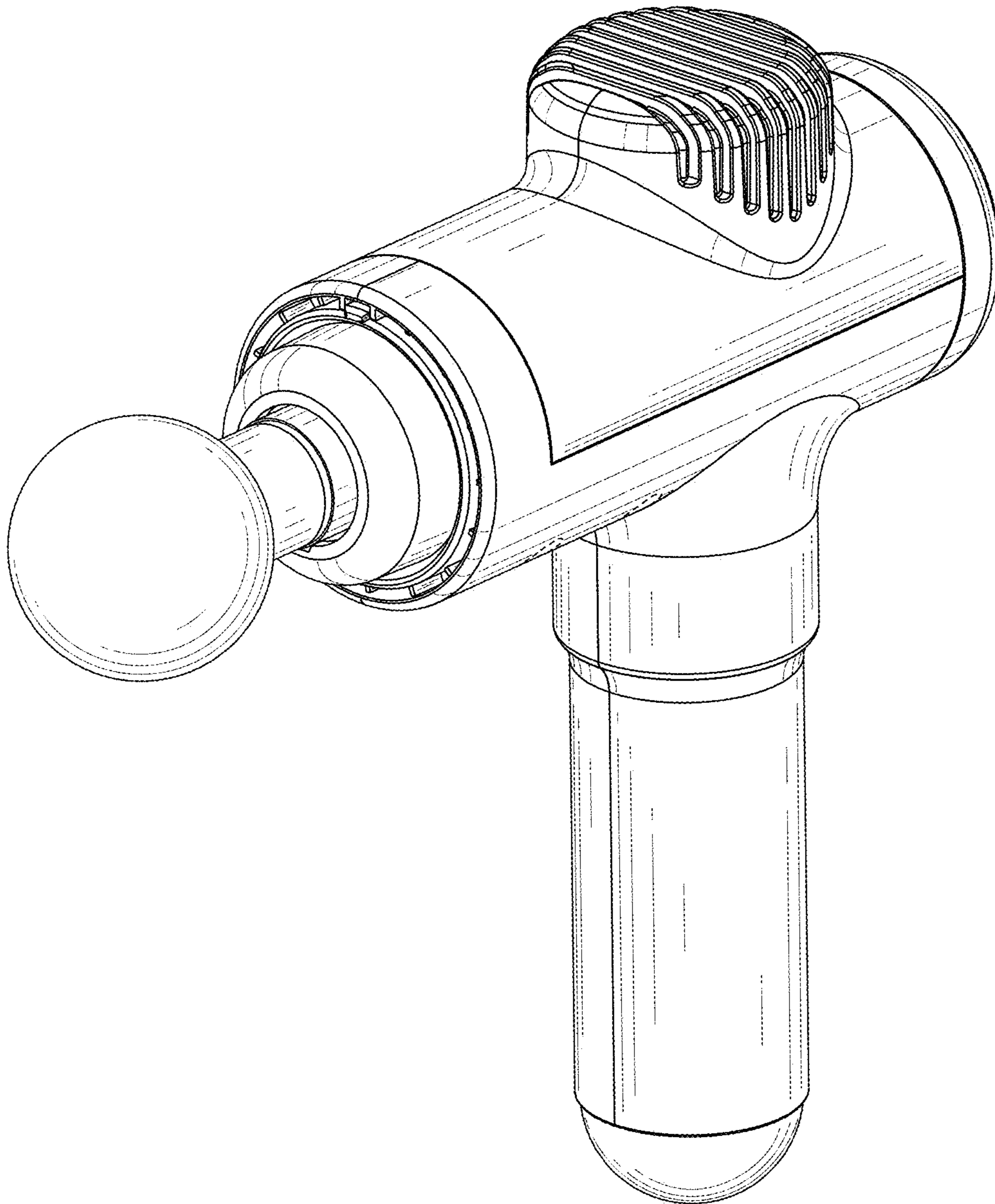


FIG. 7