



US00D949395S

(12) **United States Design Patent** (10) **Patent No.:** **US D949,395 S**
Lee et al. (45) **Date of Patent:** **** Apr. 19, 2022**

(54) **MASSAGE APPLIANCE**
(71) Applicant: **Pado, Inc.**, Valencia, CA (US)
(72) Inventors: **Steven Lee**, Valencia, CA (US);
Alejandro Garfio, Mission Viejo, CA (US)

6,911,010 B2 6/2005 Dirks et al.
7,013,588 B2 3/2006 Chang
D590,127 S * 4/2009 Caudill D1/125
D649,657 S * 11/2011 Petersen D24/215
D671,226 S * 11/2012 Aulwes D24/215
D674,499 S * 1/2013 Palm D24/200
D703,825 S * 4/2014 Barrett D24/200
D726,926 S * 4/2015 Matsushita D24/200

(Continued)

(73) Assignee: **Pado, Inc.**, Valencia, CA (US)

(**) Term: **15 Years**

(21) Appl. No.: **29/730,832**

(22) Filed: **Apr. 8, 2020**

Related U.S. Application Data

(63) Continuation-in-part of application No. 16/526,408, filed on Jul. 30, 2019.

(51) **LOC (13) Cl.** **28-03**

(52) **U.S. Cl.**
USPC **D24/215**

(58) **Field of Classification Search**
USPC D24/133, 200, 211, 212, 213, 214, 215;
D30/160; D4/127, 137
CPC A61H 23/006; A61H 7/007; A61H 23/06;
A61H 7/00; A61H 7/002
See application file for complete search history.

(56) **References Cited**

U.S. PATENT DOCUMENTS

4,224,932 A 9/1980 Farb
4,958,628 A 9/1990 Iwamoto
D323,034 S * 1/1992 Reinstein D24/200
5,183,034 A 2/1993 Yamasaki et al.
D334,430 S * 3/1993 Tsou D24/214
D435,913 S * 1/2001 Harris D24/214
D438,308 S * 2/2001 Harris D24/214
D463,862 S * 10/2002 Lau D24/214
6,478,755 B2 11/2002 Young
D467,347 S * 12/2002 Yang D24/215

OTHER PUBLICATIONS

Pawwave, "PAW WAVE BUZZ", Dec. 25, 2020. <https://pawwave.pet/paw-wave-buzz-vibration-pet-massager-orange/#trustspot-widget-wrapper>. Shown on p. 1. (Year: 2020).*

(Continued)

Primary Examiner — Michael A Maharajh

(74) *Attorney, Agent, or Firm* — Sheppard, Mullin, Richter & Hampton LLP

(57) **CLAIM**

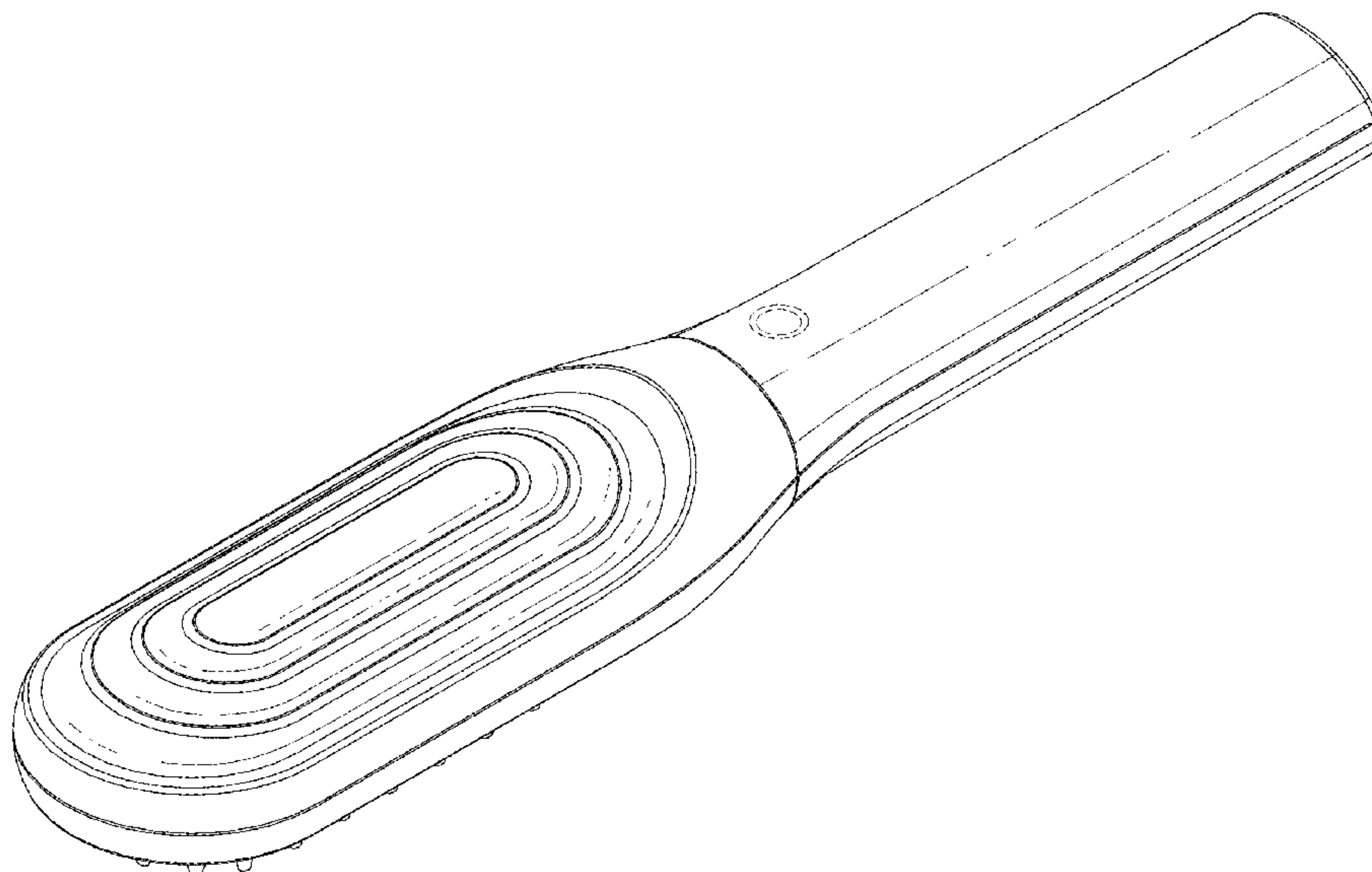
The ornamental design for a massage appliance, as shown and described.

DESCRIPTION

FIG. 1 is a top perspective view of a massage appliance, showing my new design;
FIG. 2 is a bottom perspective view thereof;
FIG. 3 is a top view thereof;
FIG. 4 is a bottom view thereof;
FIG. 5 is a right side view thereof;
FIG. 6 is a left side view thereof;
FIG. 7 is a front view thereof; and,
FIG. 8 is a rear view thereof.

The broken lines in the drawings are for the purposes of illustrating portions of the massage appliance and form no part of the claimed design.
Shading lines are to show contours rather than surface ornamentation.

1 Claim, 6 Drawing Sheets



(56)

References Cited

U.S. PATENT DOCUMENTS

D726,927 S * 4/2015 Matsushita D24/200
 D727,514 S * 4/2015 Matsushita D24/200
 9,107,799 B2 4/2015 Muchisky
 D738,522 S 9/2015 Matsuura
 D823,478 S * 7/2018 Park D24/215
 D837,395 S * 1/2019 Gan D24/214
 D842,491 S * 3/2019 Fleming D24/215
 D847,363 S * 4/2019 Aulwes D24/215
 D848,017 S * 5/2019 Zheng D24/215
 D852,971 S * 7/2019 Gan D24/211
 D855,197 S * 7/2019 Park D24/214
 D858,789 S * 9/2019 Logan D24/215
 D863,580 S * 10/2019 Lee D24/211
 D863,581 S * 10/2019 Lee D24/211
 D864,407 S * 10/2019 Zhou D24/215
 D866,189 S * 11/2019 Baxter D4/102
 D869,673 S * 12/2019 Chen D24/211
 D872,295 S * 1/2020 Friedman D24/215
 D899,615 S * 10/2020 Lin D24/214

D923,191 S * 6/2021 Park D24/215
 D923,192 S * 6/2021 Park D24/215
 D925,057 S * 7/2021 Song D24/215
 D928,979 S * 8/2021 Park D24/215
 2005/0113725 A1 5/2005 Masuda
 2009/0083919 A1 4/2009 Taggart
 2013/0060081 A1 3/2013 Carter et al.
 2014/0357944 A1 12/2014 Spietz
 2015/0150599 A1* 6/2015 Matsushita A61N 1/325
 604/20
 2015/0305487 A1 10/2015 Pardo
 2017/0367923 A1 12/2017 Bergbacka

OTHER PUBLICATIONS

Amazon, "PAW WAVE Buzz_Pet Massager", Mar. 9, 2021. https://www.amazon.com/PAW-WAVE-Therapeutic-Vibration-Circulation/dp/B08SRC7P64/ref=sr_1_1?dchild=1&keywords=paw+wave+buzz&qid=1632246859&sr=8-1. Shown on p. 1. (Year: 2021).*

* cited by examiner

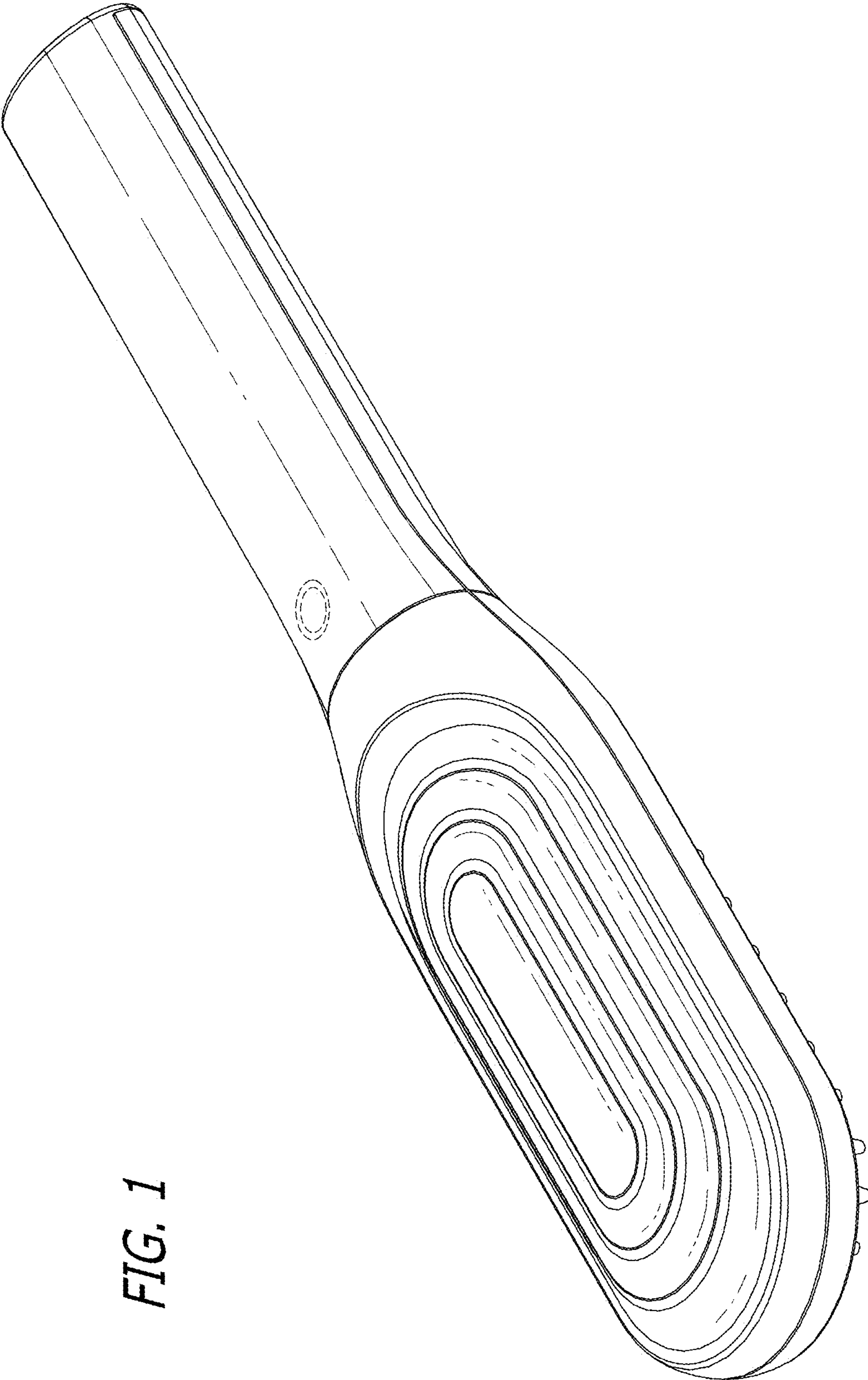
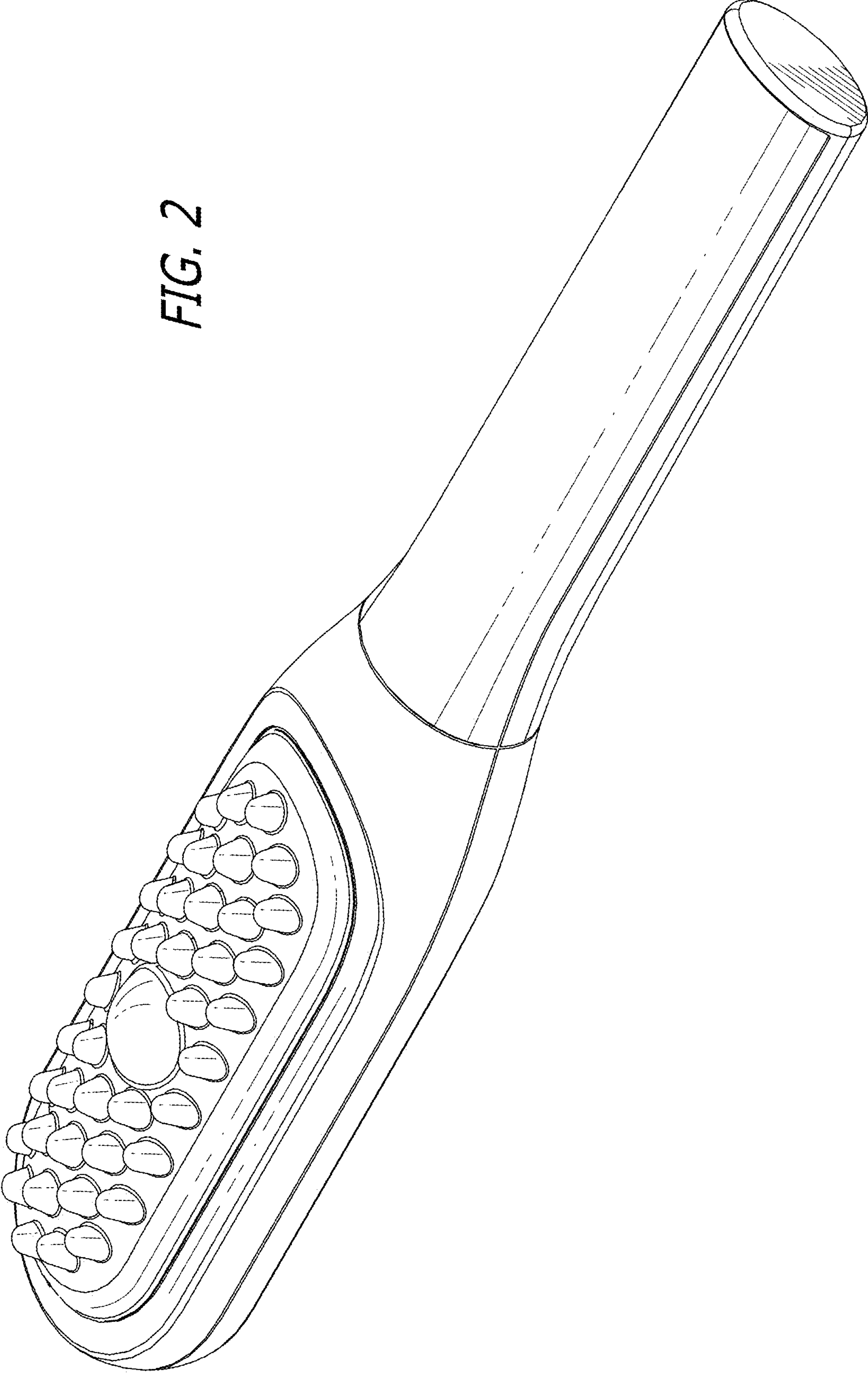


FIG. 1

FIG. 2



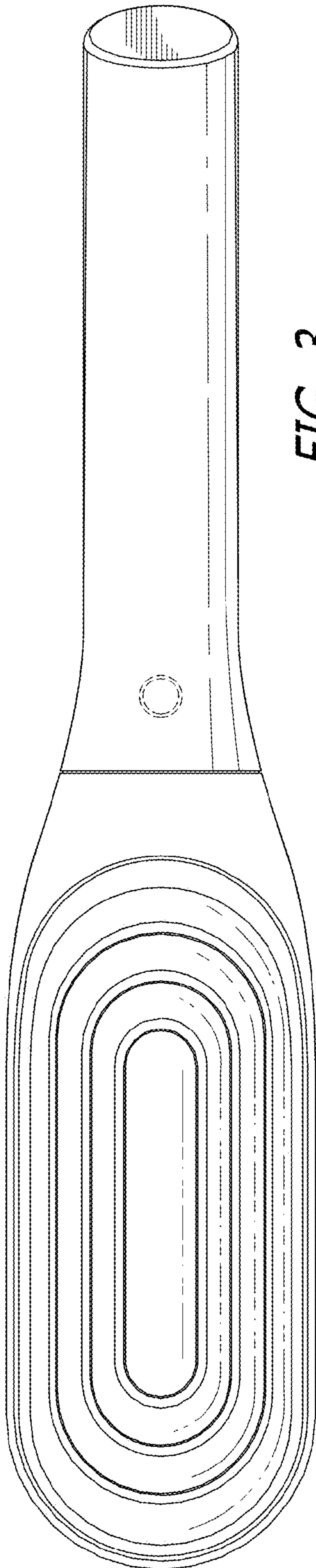


FIG. 3

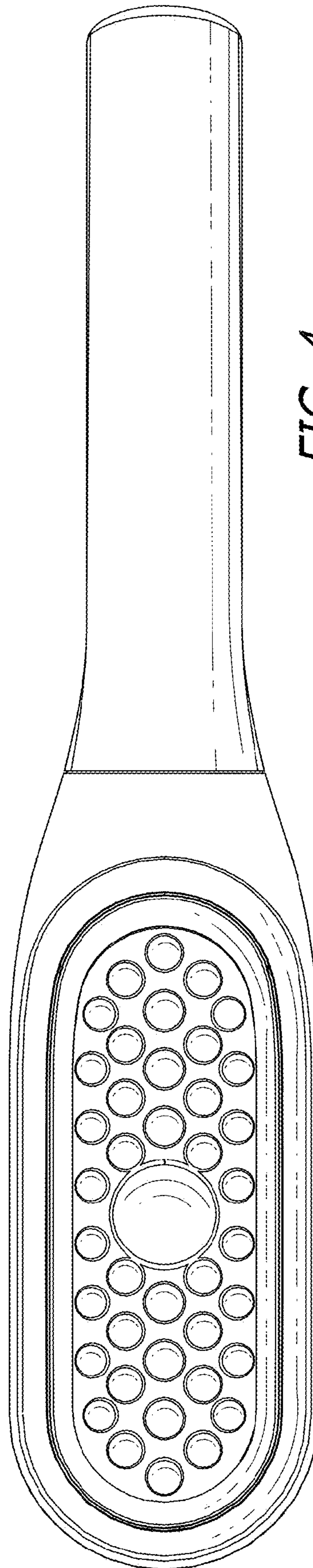


FIG. 4

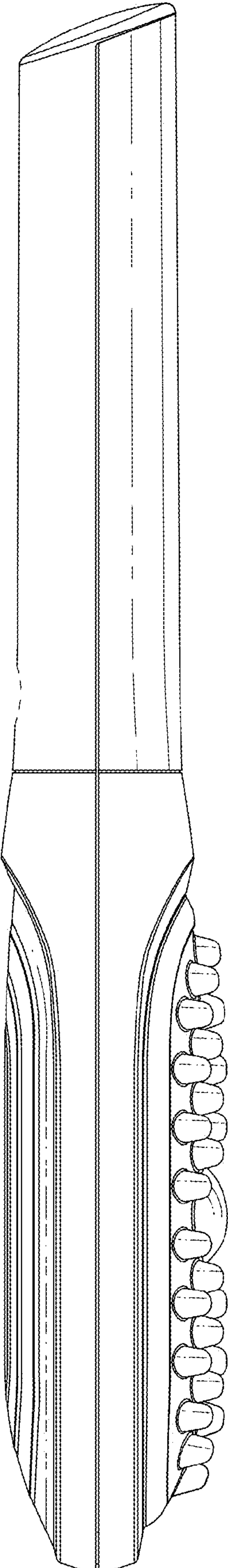


FIG. 5

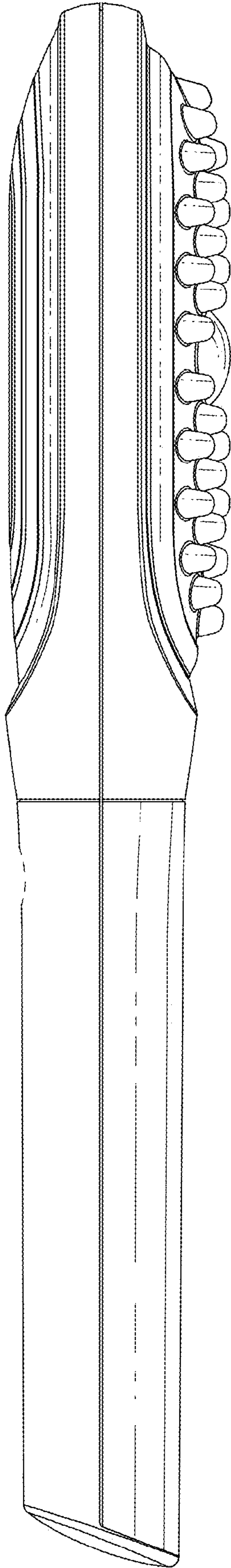


FIG. 6

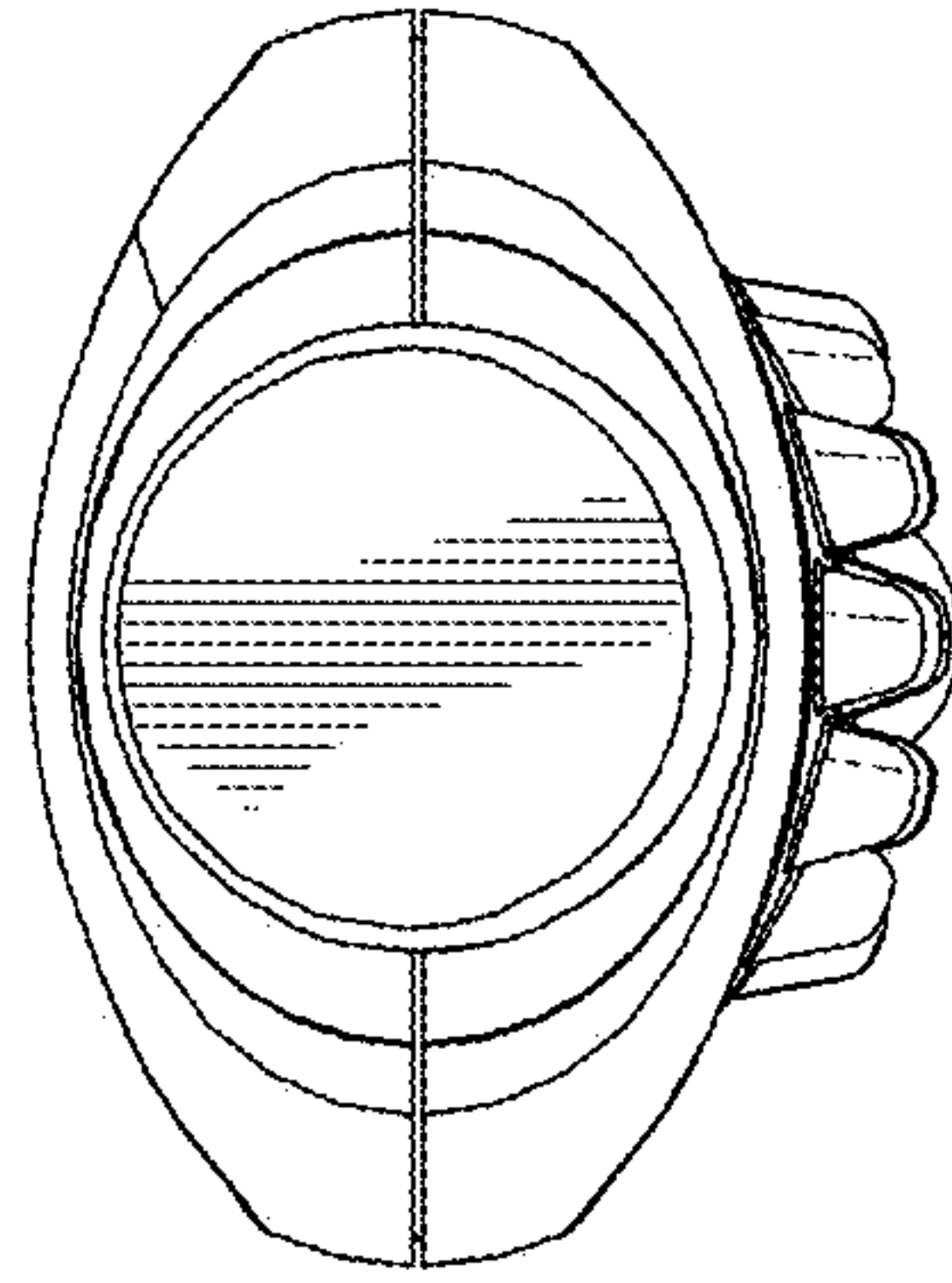


FIG. 8

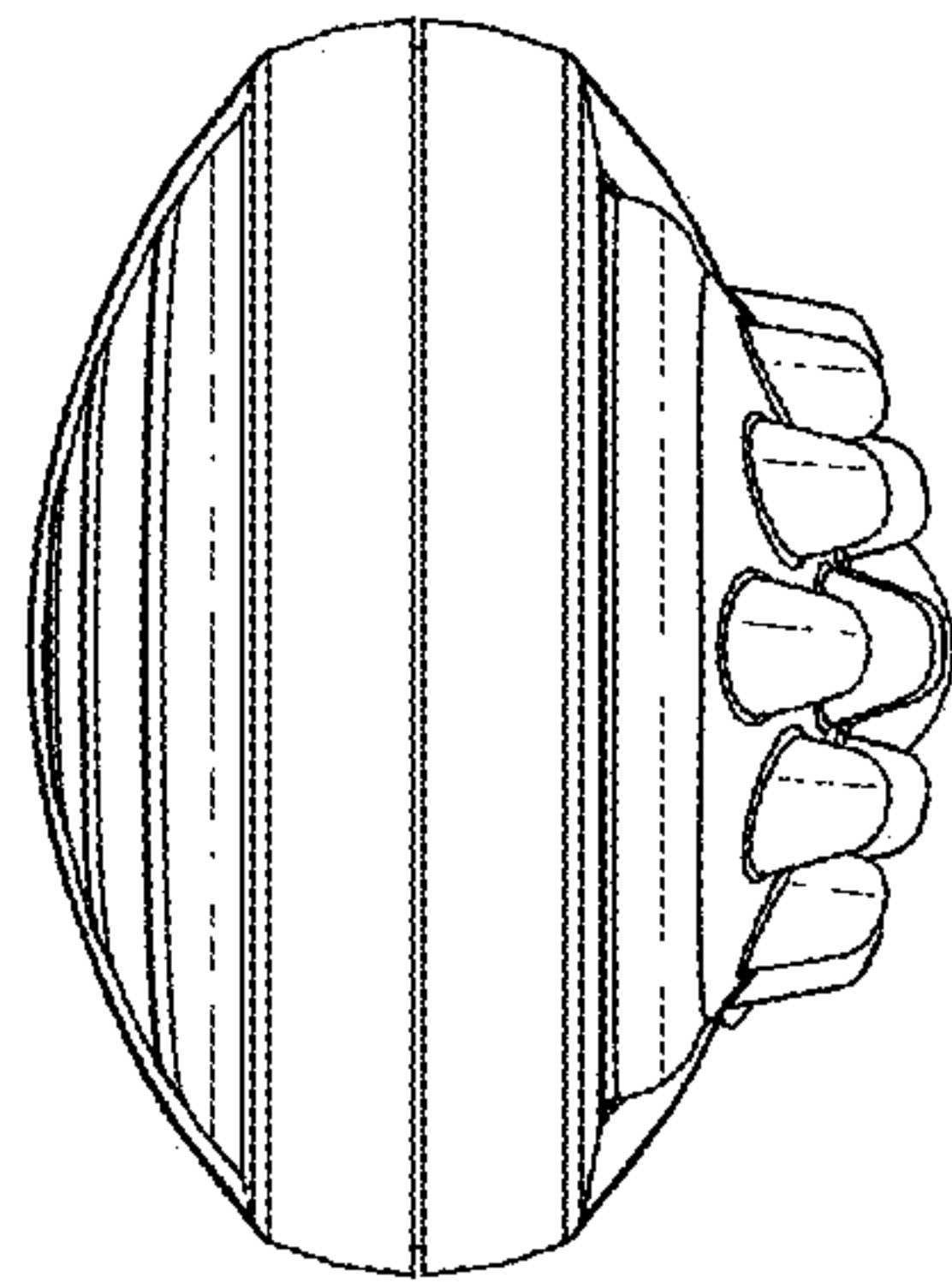


FIG. 7