



US00D949392S

(12) **United States Design Patent**
Wersland et al.

(10) **Patent No.:** **US D949,392 S**
(45) **Date of Patent:** **** Apr. 19, 2022**

- (54) **PERCUSSIVE MASSAGE DEVICE**
- (71) Applicant: **Theragun, Inc.**, Beverly Hills, CA (US)
- (72) Inventors: **Jason Wersland**, Manhattan Beach, CA (US); **Benjamin Nazarian**, Beverly Hills, CA (US); **Jaime Sanchez Solana**, Los Angeles, CA (US); **Eduardo Merino**, Beverly Hills, CA (US); **Trent Hernandez**, Los Angeles, CA (US)
- (73) Assignee: **THERABODY, INC.**, Beverly Hills, CA (US)

- 4,691,693 A 9/1987 Sato
- 4,989,613 A 2/1991 Finkenberg
- D329,291 S 9/1992 Wollman
- D329,292 S 9/1992 Wollman
- D331,467 S 12/1992 Wollman
- D388,175 S 12/1997 Lie
- 5,925,002 A 7/1999 Wollman
- D430,938 S 9/2000 Lee
- D448,852 S 10/2001 Engelen
- 6,401,289 B1 6/2002 Herbert
- D476,746 S 7/2003 Harris
- D531,733 S 11/2006 Burout, III
- D553,252 S 10/2007 Masuda

(Continued)

- (**) Term: **15 Years**
- (21) Appl. No.: **29/728,611**
- (22) Filed: **Mar. 19, 2020**

OTHER PUBLICATIONS

Amazon, "Theragun Prime", May 4, 2020. https://www.amazon.com/Theragun-Prime-Generation-Percussive-Treatment/dp/B086Z6V3S6?ref_ast_sto_dp. Shown on p. 1. (Year: 2020).*

(Continued)

Related U.S. Application Data

- (60) Division of application No. 29/708,814, filed on Oct. 9, 2019, now Pat. No. Des. 879,986, which is a continuation-in-part of application No. 29/674,836, filed on Dec. 26, 2018, now Pat. No. Des. 880,714.
- (51) **LOC (13) Cl.** **28-03**
- (52) **U.S. Cl.**
USPC **D24/215**
- (58) **Field of Classification Search**
USPC D24/200, 211, 212, 213, 214, 215;
D8/14.1; D28/13
CPC . A61H 2201/1635; A61H 23/006; A61H 1/00
See application file for complete search history.

Primary Examiner — Michael A Maharajh

(74) *Attorney, Agent, or Firm* — Jeffer Mangels Butler & Mitchell LLP; Brennan C. Swain, Esq.

(57) **CLAIM**

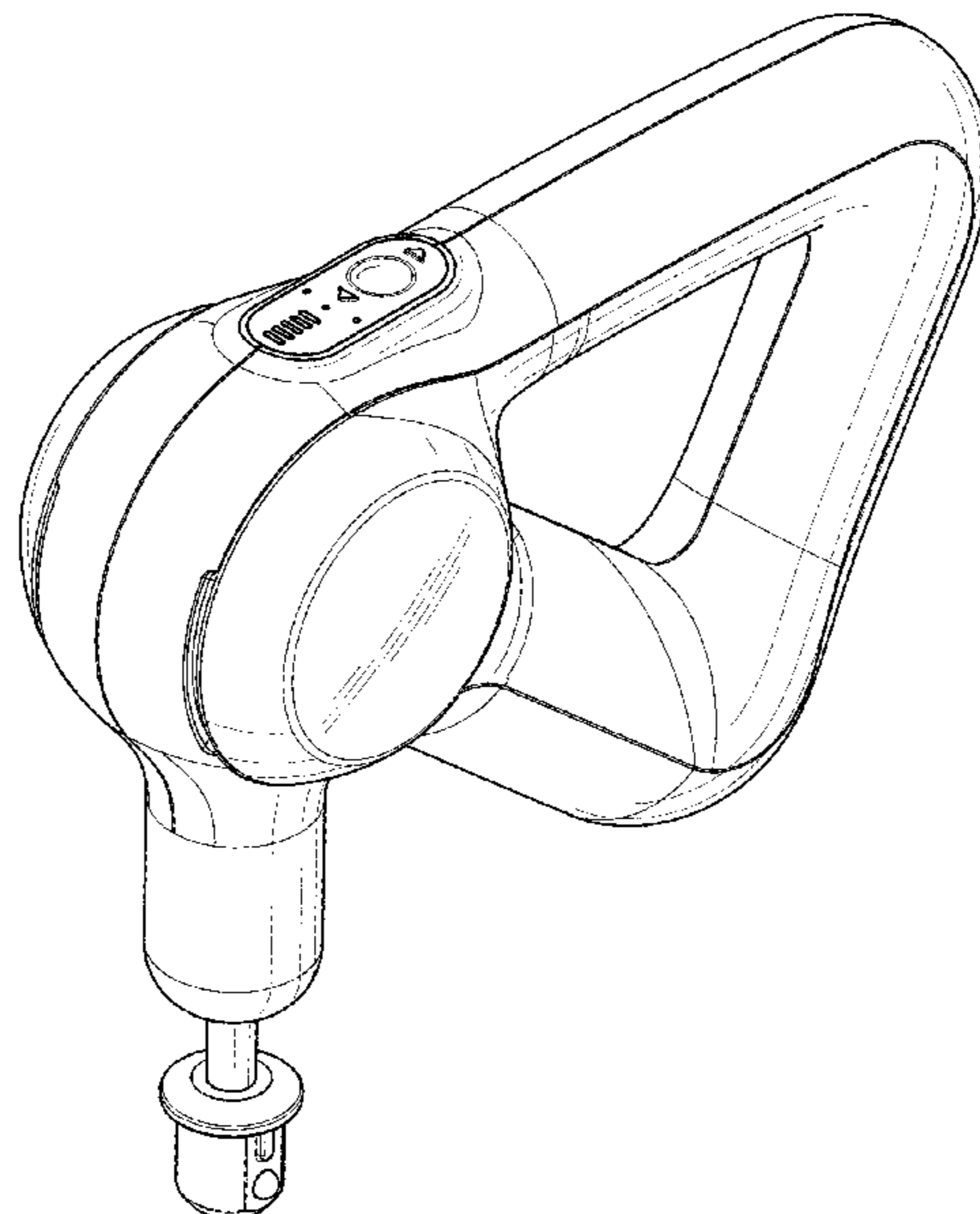
The ornamental design for a percussive massage device, as shown and described.

DESCRIPTION

FIG. 1 is a top perspective view of a percussive massage device, showing our new design;
FIG. 2 is a right side elevational view, the left side elevational view being a mirror image thereof;
FIG. 3 is a front elevational view thereof;
FIG. 4 is a rear elevational view thereof;
FIG. 5 is a top plan view thereof;
FIG. 6 is a bottom plan view thereof; and,
FIG. 7 is a bottom perspective view.

- (56) **References Cited**
U.S. PATENT DOCUMENTS
1,594,636 A 8/1926 Smith
1,784,301 A 12/1930 Mekler
3,968,789 A 7/1976 Simoncini

1 Claim, 5 Drawing Sheets



(56)

References Cited

U.S. PATENT DOCUMENTS

D606,192 S 12/2009 Summerer
 D649,657 S 11/2011 Petersen
 D658,759 S 5/2012 Maresaux
 8,435,194 B2 5/2013 Dverin
 D703,337 S 4/2014 Fuhr
 D706,433 S 6/2014 Fuhr
 D708,742 S 7/2014 Dallemagne
 D734,863 S 7/2015 Hennessey
 D735,348 S 7/2015 Hennessey
 D759,237 S 6/2016 Heath
 D759,238 S 6/2016 Heath
 D763,442 S 8/2016 Price
 D778,439 S 2/2017 Hakansson
 D819,221 S 5/2018 Lei
 D823,478 S 7/2018 Park
 D837,395 S 1/2019 Gan
 D838,378 S 1/2019 Cao
 D840,547 S 2/2019 Harle
 D842,491 S 3/2019 Fleming
 D843,656 S 3/2019 Zhang
 D844,896 S 4/2019 Levi
 D847,362 S 4/2019 Tang
 D847,364 S 4/2019 Lee
 D847,990 S 5/2019 Kimball
 10,314,762 B1 6/2019 Marton
 10,357,425 B2 7/2019 Wersland
 D855,822 S 8/2019 Marton
 10,428,850 B2 * 10/2019 Wersland B23B 31/11
 10,470,970 B2 * 11/2019 Nazarian F16D 1/087
 D872,869 S * 1/2020 Lu D24/215
 D877,351 S * 3/2020 Wersland D24/215
 D879,985 S * 3/2020 Wersland D24/214
 D879,986 S * 3/2020 Wersland D24/214
 D880,714 S * 4/2020 Wersland D24/215
 D880,715 S * 4/2020 Wersland D24/215
 D880,716 S * 4/2020 Wersland D24/215
 D884,915 S * 5/2020 Wersland D24/215
 D885,601 S * 5/2020 Wersland D24/215
 D887,573 S * 6/2020 Wersland D24/215
 10,714,953 B1 * 7/2020 Solana H02J 7/0044
 D912,268 S * 3/2021 Xiang D24/215

D912,835 S * 3/2021 Ren D24/200
 10,959,911 B2 * 3/2021 Wersland A61H 1/00
 D921,914 S * 6/2021 Wersland D24/214
 D930,179 S * 9/2021 Zhu D24/215
 2002/0177795 A1 11/2002 Frye
 2002/0188233 A1 12/2002 Denyes
 2003/0195443 A1 10/2003 Miller
 2005/0131461 A1 6/2005 Tucek
 2006/0116614 A1 6/2006 Jones
 2006/0211961 A1 9/2006 Meyer
 2010/0145242 A1 6/2010 Tsai
 2010/0160841 A1 6/2010 Wu
 2010/0274162 A1 10/2010 Evans
 2012/0197357 A1 8/2012 Dewey
 2013/0030506 A1 1/2013 Bartolone
 2014/0221887 A1 8/2014 Wu
 2015/0119771 A1 4/2015 Roberts
 2016/0367425 A1 * 12/2016 Wersland A61H 1/008
 2017/0304145 A1 * 10/2017 Pepe A61H 23/006
 2018/0154141 A1 6/2018 Ahn
 2018/0200141 A1 7/2018 Wersland
 2018/0263845 A1 * 9/2018 Wersland A61H 23/004
 2019/0175434 A1 6/2019 Zhang
 2019/0254921 A1 8/2019 Marton
 2019/0254922 A1 8/2019 Marton
 2020/0069510 A1 * 3/2020 Wersland A61H 23/006
 2020/0214930 A1 * 7/2020 Wersland A61H 23/006
 2020/0261306 A1 * 8/2020 Pepe A61H 23/0254
 2020/0261307 A1 * 8/2020 Wersland A61H 23/006
 2020/0268594 A1 * 8/2020 Pepe A61H 15/02
 2020/0352820 A1 * 11/2020 Nazarian H02K 11/26
 2020/0405574 A1 * 12/2020 Wersland A61H 1/008
 2021/0022955 A1 * 1/2021 Wersland A61H 1/006
 2021/0059898 A1 * 3/2021 Wersland A61H 15/00
 2021/0169733 A1 * 6/2021 Wersland A61H 23/006
 2021/0244610 A1 * 8/2021 Wersland A61H 23/006
 2021/0244611 A1 * 8/2021 Wersland A61H 15/0085

OTHER PUBLICATIONS

Amazon, "Theragun G3PRO Percussive Therapy Device", Feb. 13, 2019. https://www.amazon.com/dp/B07MJ2MCT3/ref=nav_timeline_asin?_encoding=UTF8&psc=1. Shown on p. 1. (Year: 2019).

* cited by examiner

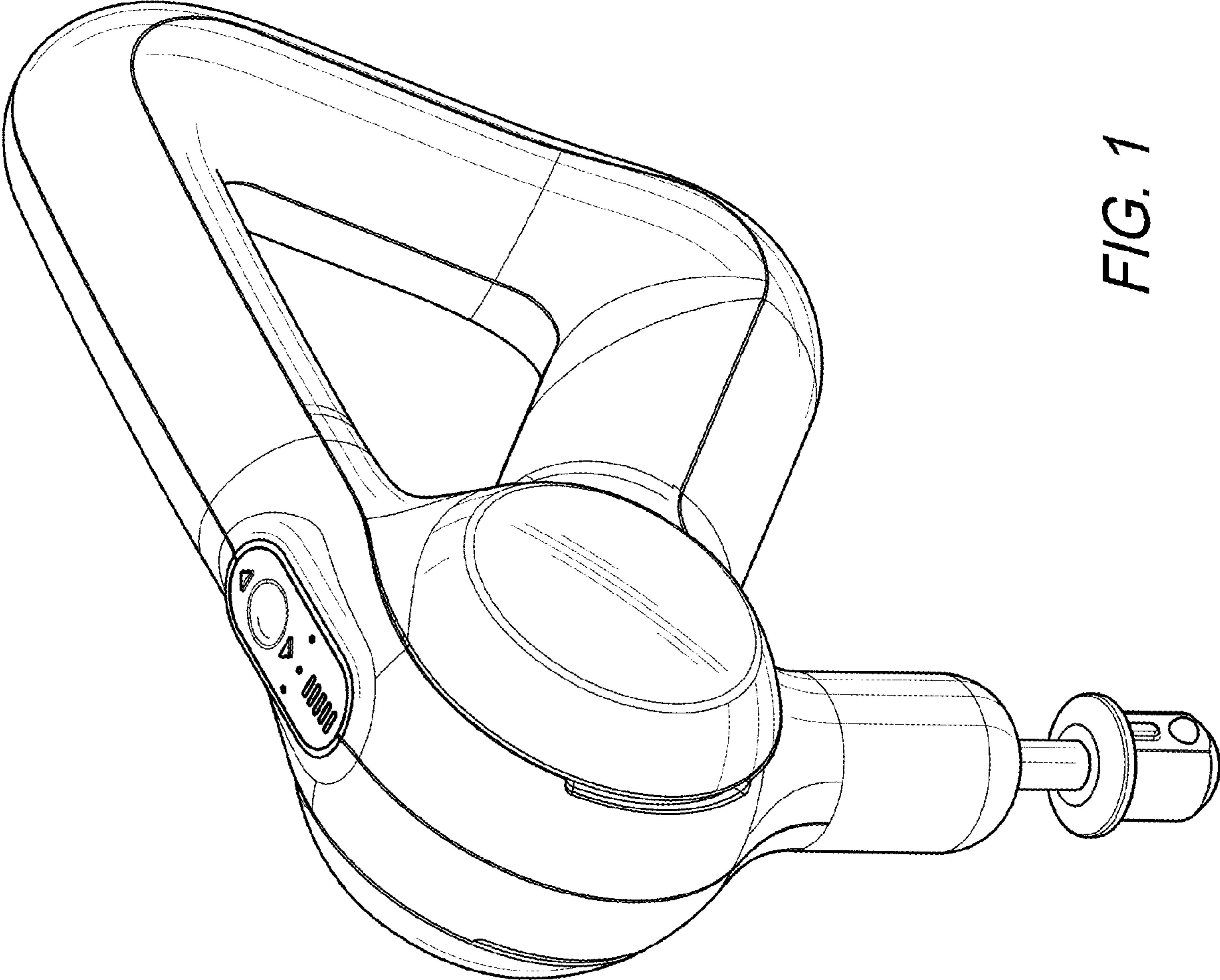


FIG. 1

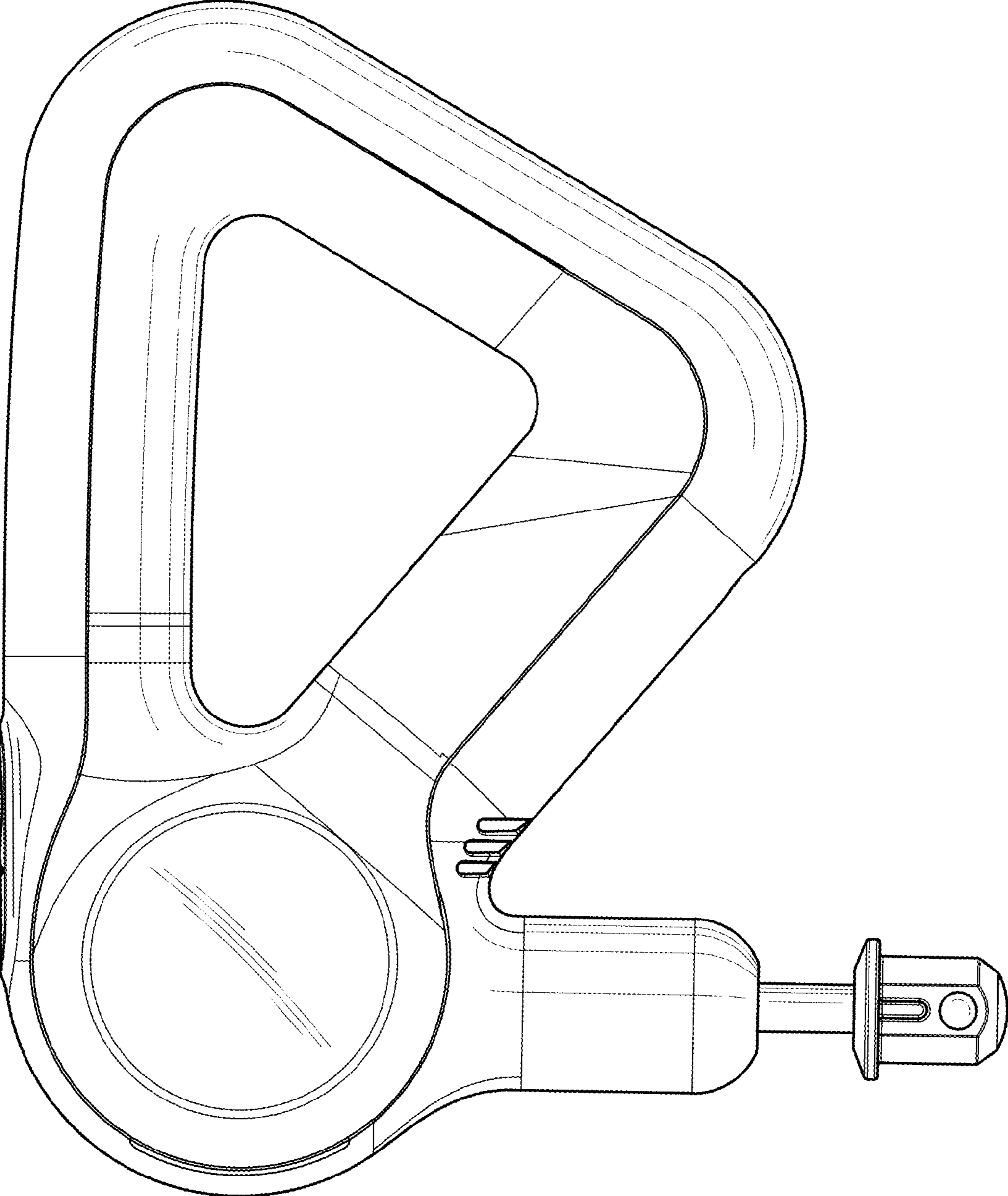


FIG. 2

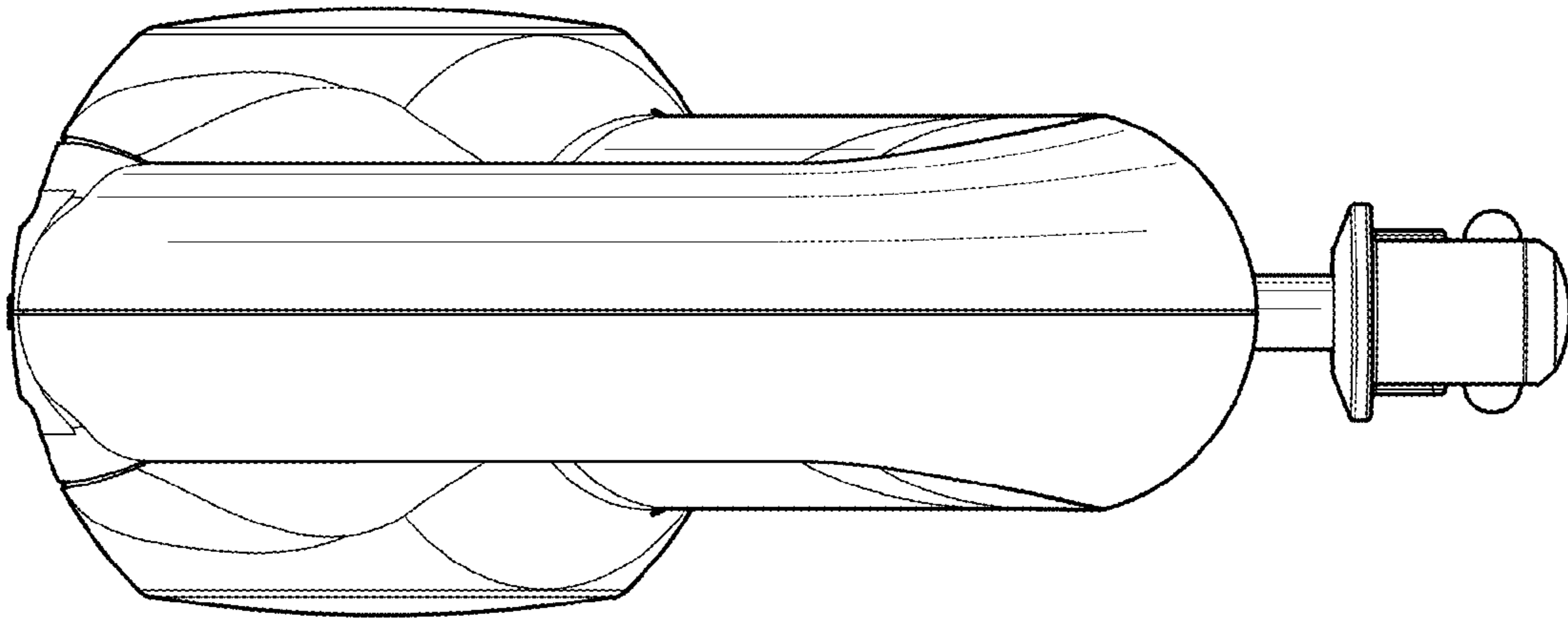


FIG. 4

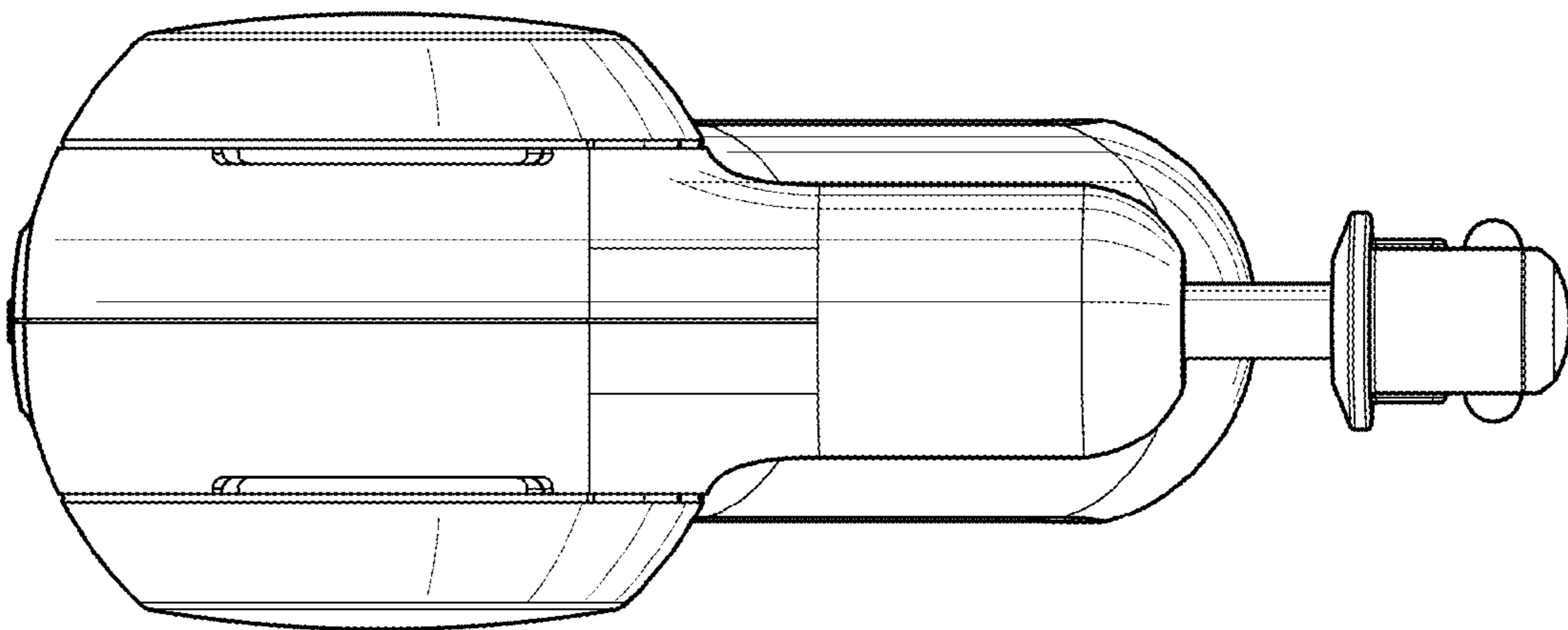


FIG. 3

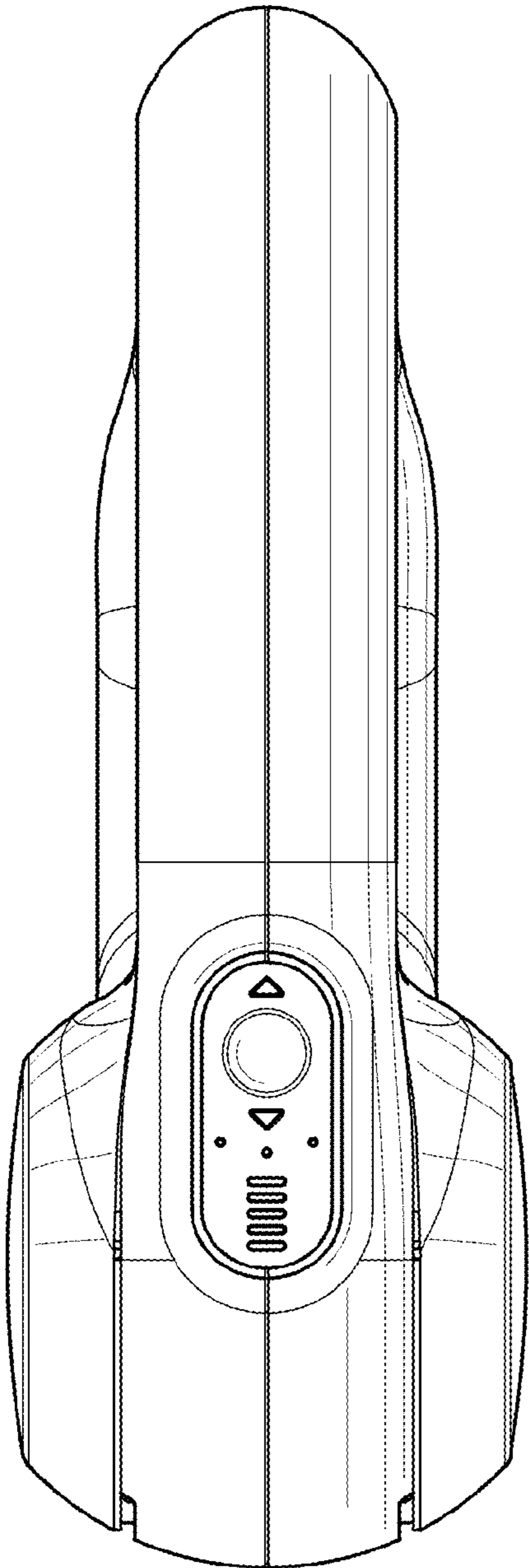


FIG. 5

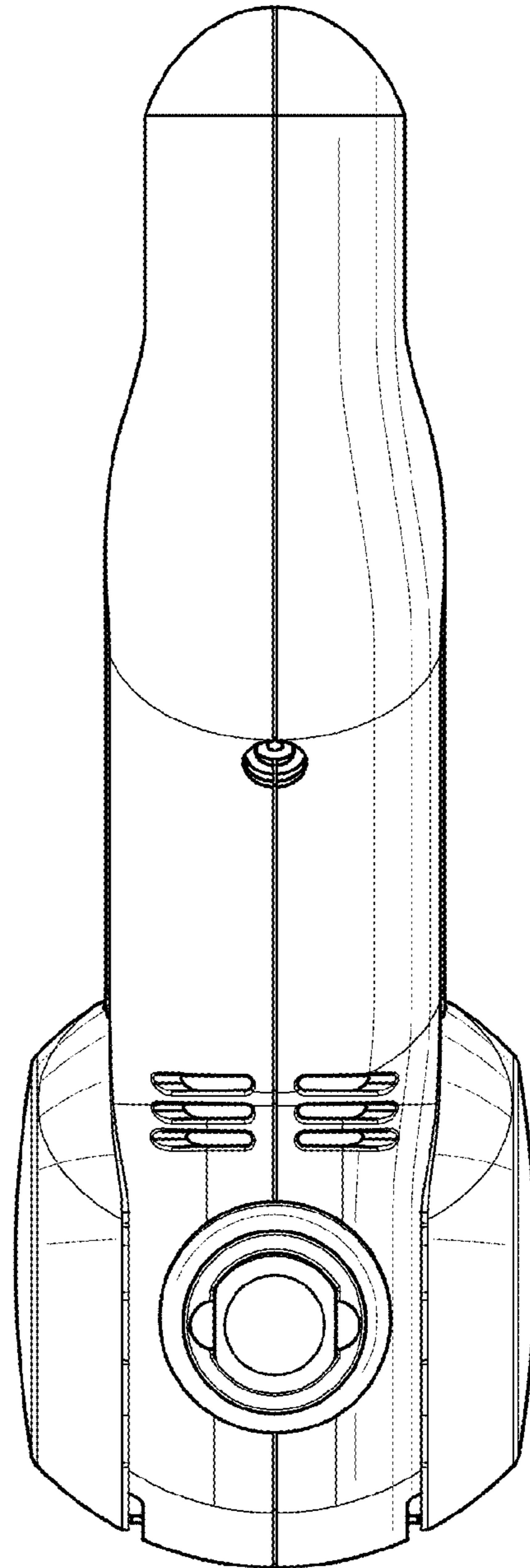


FIG. 6

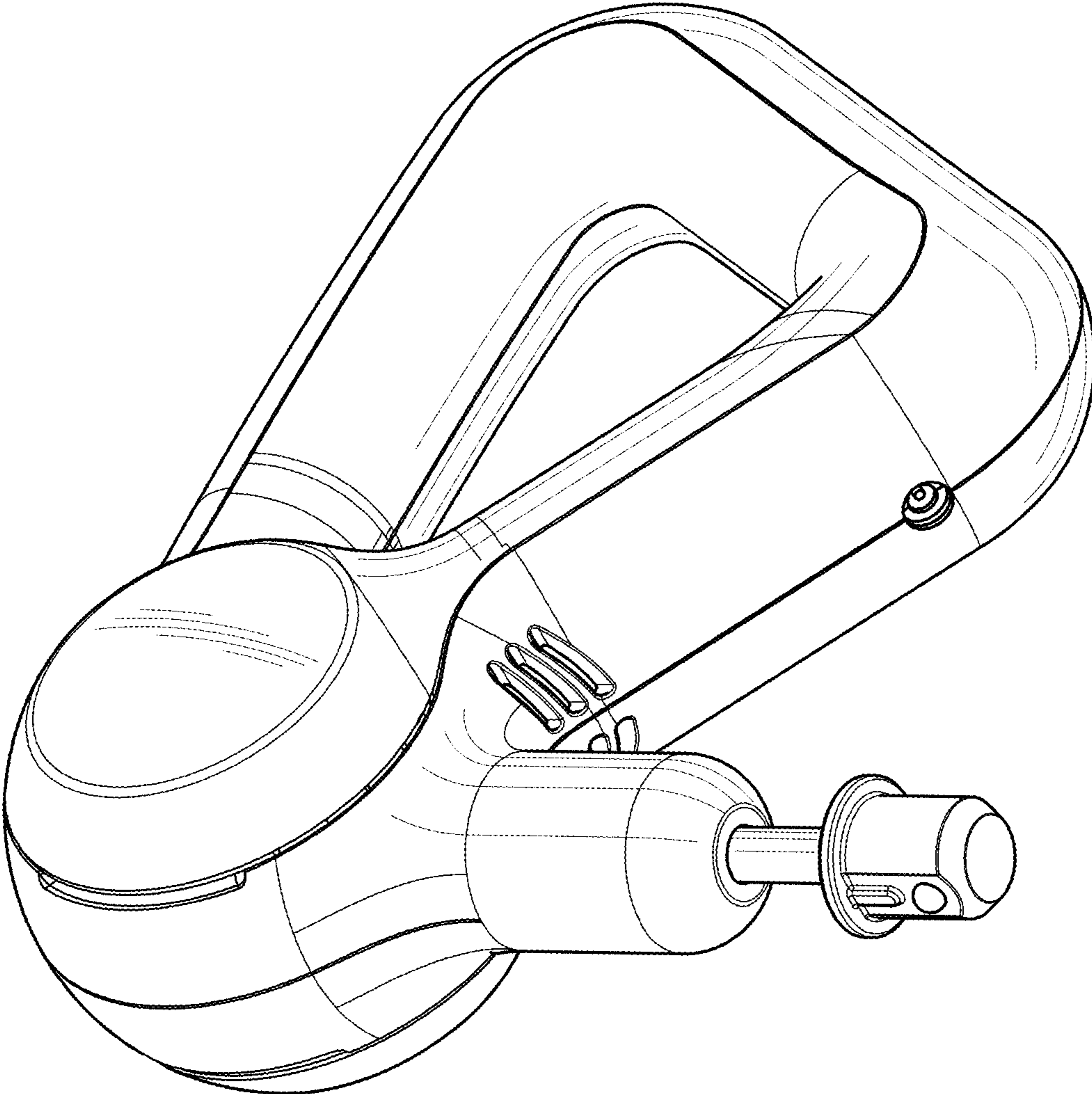


FIG. 7