



US00D949387S

(12) **United States Design Patent** (10) **Patent No.:** **US D949,387 S**
Sedic (45) **Date of Patent:** **** Apr. 19, 2022**

(54) **STIMULATION DEVICE**
(71) Applicant: **Filip Sedic**, Stockholm (SE)
(72) Inventor: **Filip Sedic**, Stockholm (SE)
(73) Assignee: **LELO Inc.**, San Jose, CA (US)
(**) Term: **15 Years**
(21) Appl. No.: **29/726,940**
(22) Filed: **Mar. 6, 2020**
(51) **LOC (13) Cl.** **28-03**
(52) **U.S. Cl.**
USPC **D24/215**
(58) **Field of Classification Search**
USPC D24/133, 200, 211, 212, 213, 214, 215;
D30/160
CPC A61H 19/32; A61H 19/44; A61H 19/50
See application file for complete search history.

D712,054 S * 8/2014 Tai A61H 19/40
D24/215
D712,059 S * 8/2014 Sedic D24/215
D715,954 S * 10/2014 Sedic A61H 23/004
D24/215
D725,283 S * 3/2015 Sedic D24/215
D728,119 S * 4/2015 Sedic D24/215
D739,547 S * 9/2015 Cheung D24/215
D739,548 S * 9/2015 Cheung D24/215
D743,570 S * 11/2015 Cheung D24/215
D761,429 S * 7/2016 Sedic D24/141
D764,056 S * 8/2016 Sedic D24/141
D771,828 S * 11/2016 Sedic D24/215

(Continued)

OTHER PUBLICATIONS

Lelo, "Sila", Sep. 20, 2021. <https://www.lelo.com/sila>. Shown on p. 1. (Year: 2021).*

(Continued)

Primary Examiner — Michael A Maharajh
(74) *Attorney, Agent, or Firm* — Evan Feldstein

(57) **CLAIM**

I claim the ornamental design for a stimulation device, as shown and described.

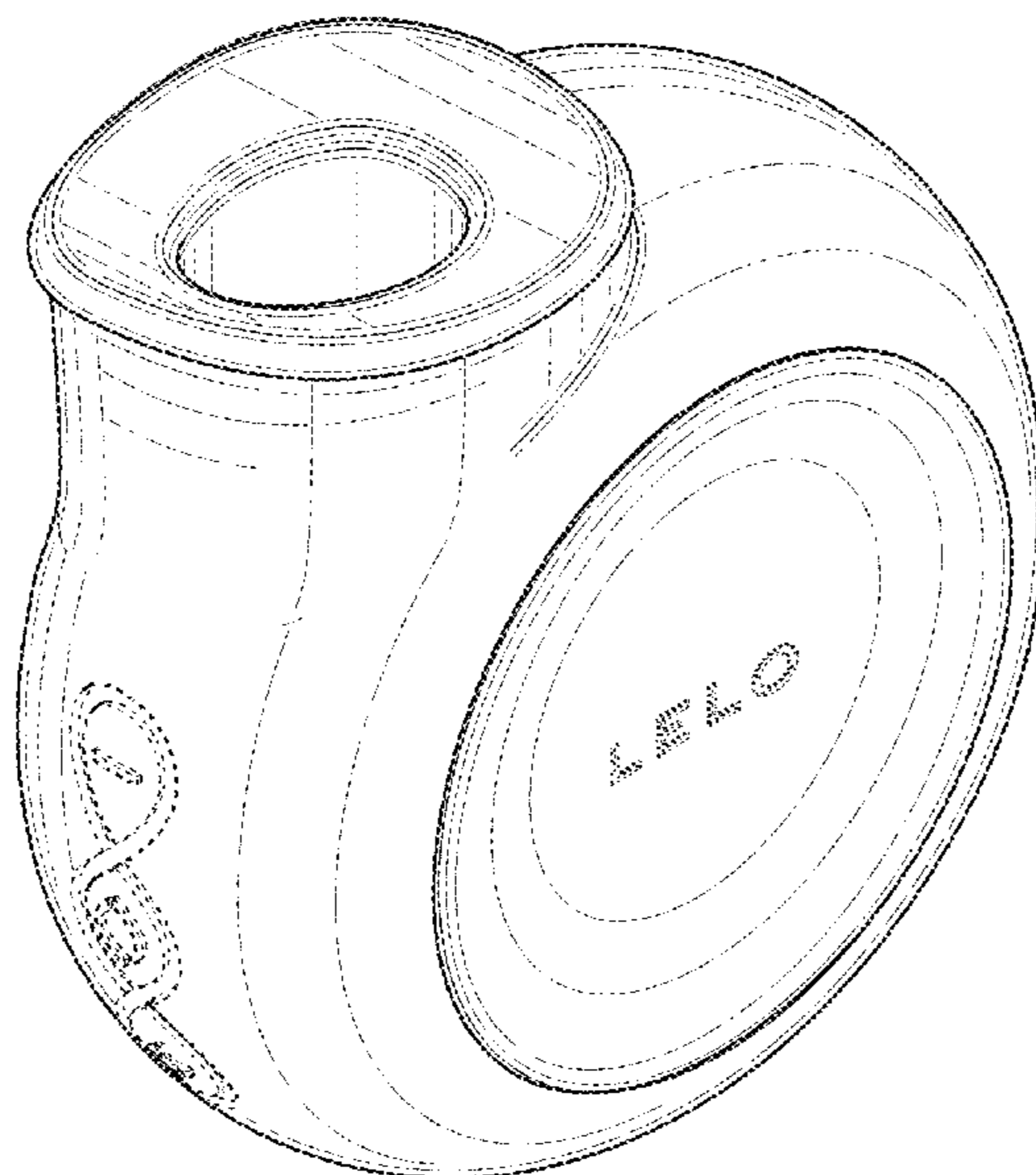
DESCRIPTION

FIG. 1 is a perspective view of a stimulation device, showing my new design.
FIG. 2 is a rear view of the stimulation device.
FIG. 3 is a front view of the stimulation device.
FIG. 4 is a right side view of the stimulation device.
FIG. 5 is a left side view of the stimulation device.
FIG. 6 is a bottom view of the stimulation device; and,
FIG. 7 is a top view of the stimulation device.
The broken lines shown in the drawings are for the purpose of illustrating environmental structure, which form no part of the claimed design.

1 Claim, 4 Drawing Sheets

(56) **References Cited**
U.S. PATENT DOCUMENTS

D652,943 S * 1/2012 Chong D24/215
D653,349 S * 1/2012 Chong D24/215
D664,932 S * 8/2012 Sedic D13/168
D665,092 S * 8/2012 Sedic D24/215
D665,093 S * 8/2012 Sedic D24/215
D665,094 S * 8/2012 Sedic D24/215
D674,109 S * 1/2013 Sedic D24/215
D681,219 S * 4/2013 Chen D24/215
D681,220 S * 4/2013 Chen D24/215
D681,223 S * 4/2013 Chen D24/215
D681,224 S * 4/2013 Chen D24/215
D685,492 S * 7/2013 Chen D24/215
D685,917 S * 7/2013 Chen D24/215
D685,918 S * 7/2013 Chen D24/215
D693,935 S * 11/2013 Chen D24/215
D693,936 S * 11/2013 Chen D24/215
D700,347 S * 2/2014 Sedic D24/215
D702,363 S * 4/2014 Tai D24/215



(56)

References Cited

U.S. PATENT DOCUMENTS

D771,830 S * 11/2016 Sedic D24/215
 D773,066 S * 11/2016 Sedic D24/215
 D795,446 S * 8/2017 Marshall D24/215
 D796,054 S * 8/2017 Chen D24/215
 D796,055 S * 8/2017 Chen D24/215
 D799,711 S * 10/2017 Sedic D24/200
 D806,258 S * 12/2017 Sedic D24/200
 D827,135 S * 8/2018 Sedic D24/141
 D829,922 S * 10/2018 Sedic D24/215
 D834,213 S * 11/2018 Marshall D24/215
 D834,214 S * 11/2018 Marshall D24/215
 D838,862 S * 1/2019 Sedic D24/215
 D850,644 S * 6/2019 Sedic D24/215
 D854,179 S * 7/2019 Cheung D24/215
 D854,181 S * 7/2019 Wei D24/215
 D866,783 S * 11/2019 Sedic D24/211
 D867,609 S * 11/2019 Couto D24/215
 D868,987 S * 12/2019 Cheung D24/215
 D870,909 S * 12/2019 Sedic D24/215
 D874,674 S * 2/2020 Cheung D24/215
 D874,675 S * 2/2020 Cheung D24/215
 D877,352 S * 3/2020 Jouffret D24/215
 D879,990 S * 3/2020 Qiu D24/215
 D882,108 S * 4/2020 Li D24/215
 D882,109 S * 4/2020 Qiu D24/215
 D882,268 S * 4/2020 Sedic D4/100
 D882,806 S * 4/2020 Takashima D24/214
 D882,813 S * 4/2020 Lee D24/215
 D883,504 S * 5/2020 Takashima D24/215
 D883,505 S * 5/2020 Takashima D24/215
 D883,506 S * 5/2020 Takashima D24/215
 D884,206 S * 5/2020 Haddock D24/215
 D884,914 S * 5/2020 Gao D24/215
 D885,600 S * 5/2020 Lee D24/215
 D888,266 S * 6/2020 Zhou D24/215
 D893,739 S * 8/2020 Li D24/215

D895,828 S * 9/2020 Marshall D24/215
 D898,937 S * 10/2020 Haddock D24/215
 D901,706 S * 11/2020 Cheung D24/215
 D902,425 S * 11/2020 Cornaro D24/215
 D902,426 S * 11/2020 Cornaro D24/215
 D902,427 S * 11/2020 Okamura D24/215
 D905,264 S * 12/2020 Tsang D24/215
 D917,057 S * 4/2021 Liu D24/215
 D917,058 S * 4/2021 Liu D24/215
 D917,059 S * 4/2021 Liu D24/215
 D920,530 S * 5/2021 Sedic D24/215
 D925,757 S * 7/2021 Zhou D24/215
 D927,011 S * 8/2021 Jouffret D24/215
 2013/0331745 A1 * 12/2013 Sedic A61H 19/44
 601/46
 2015/0231024 A1 * 8/2015 Sedic A61H 23/0263
 600/38
 2016/0000642 A1 * 1/2016 Zipper A61H 23/0263
 600/38
 2016/0106569 A1 * 4/2016 Hahr A61F 5/41
 600/41
 2016/0120737 A1 * 5/2016 Sedic A61H 19/34
 601/46
 2018/0140504 A1 * 5/2018 Chang A61H 99/00
 2019/0142691 A1 * 5/2019 Sedic A45D 34/04
 601/18
 2020/0085679 A1 * 3/2020 Haddock A61H 19/34

OTHER PUBLICATIONS

Youtube, "Lelo Sila Review", Oct. 14, 2020. <https://www.youtube.com/watch?v=hvG0xp9aH4Y>. Shown at the 0:04 second mark. (Year: 2020).*
 Amazon, "Lelo Sila Sonic Massager", Oct. 1, 2020. https://www.amazon.com/LELO-Massager-Waterproof-Stimulation-Vibrating/dp/B08LBPXWYV/ref=cm_cr_arp_d_product_top?ie=UTF8&th=1. Shown on p. 1. (Year: 2020).*

* cited by examiner

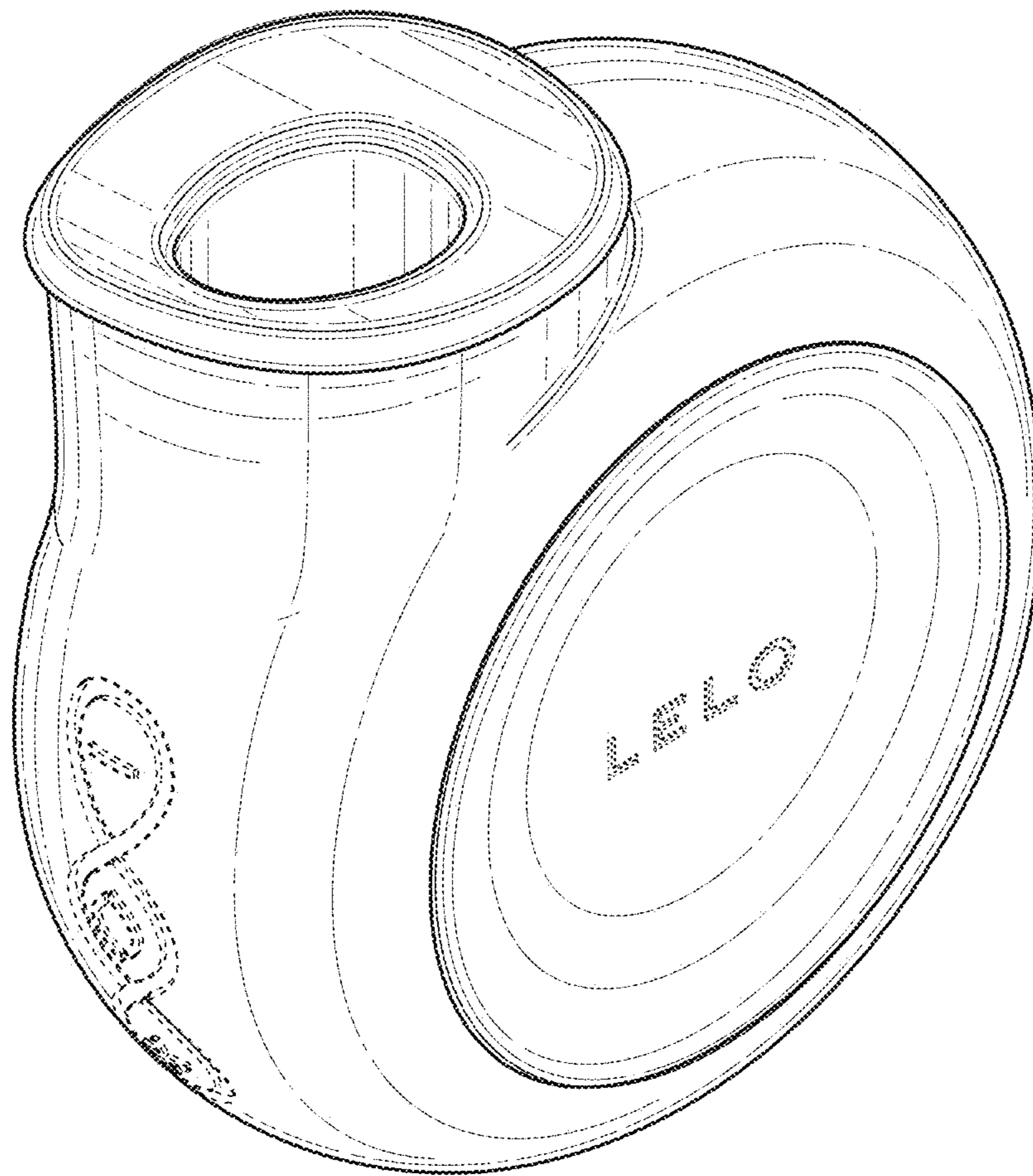


FIG. 1

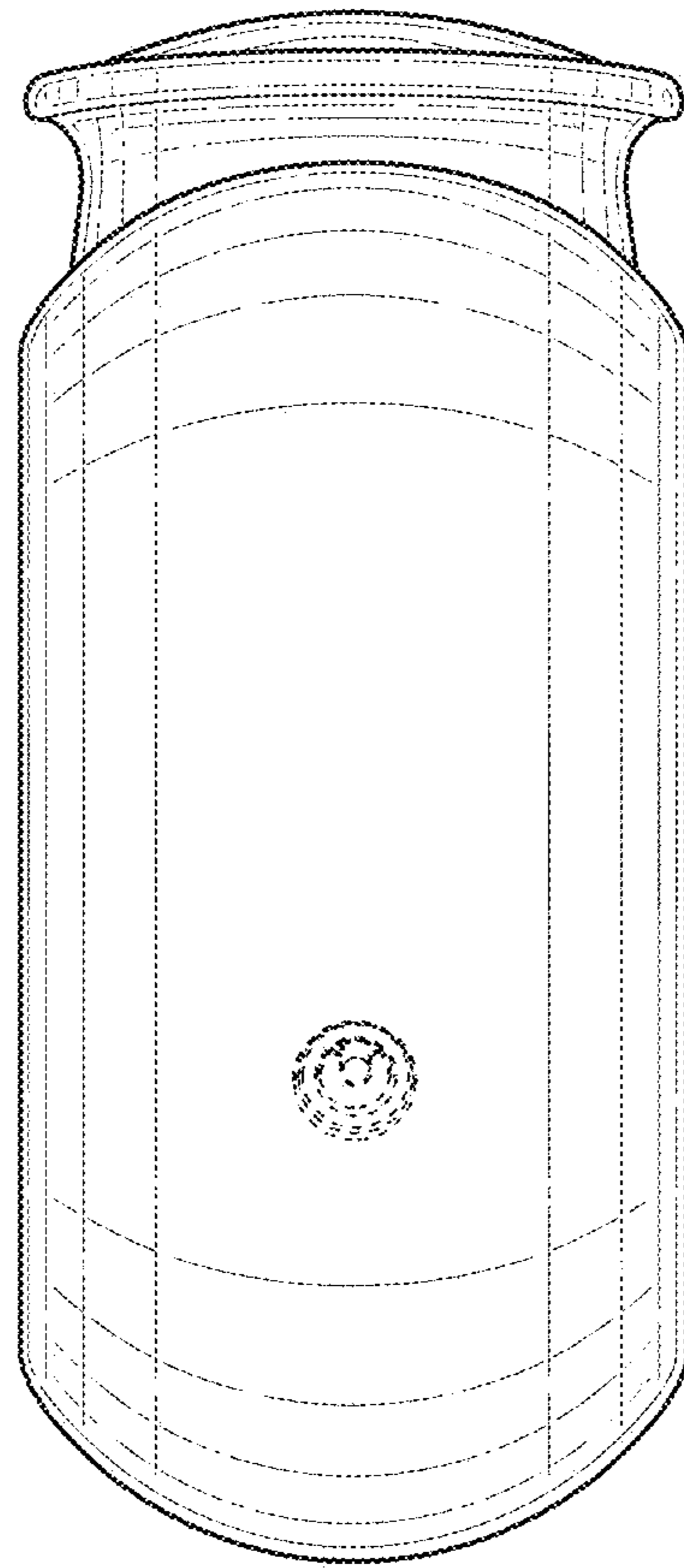


FIG. 2

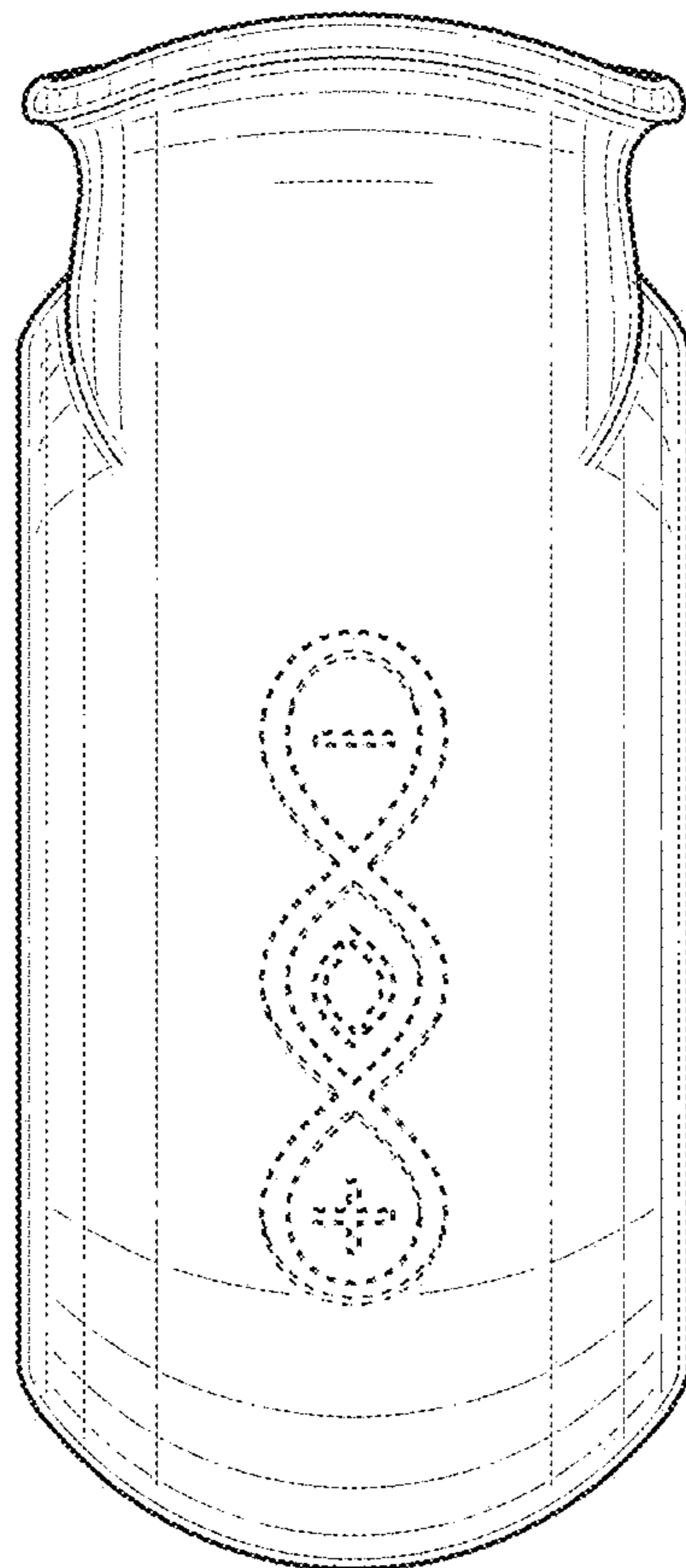


FIG. 3

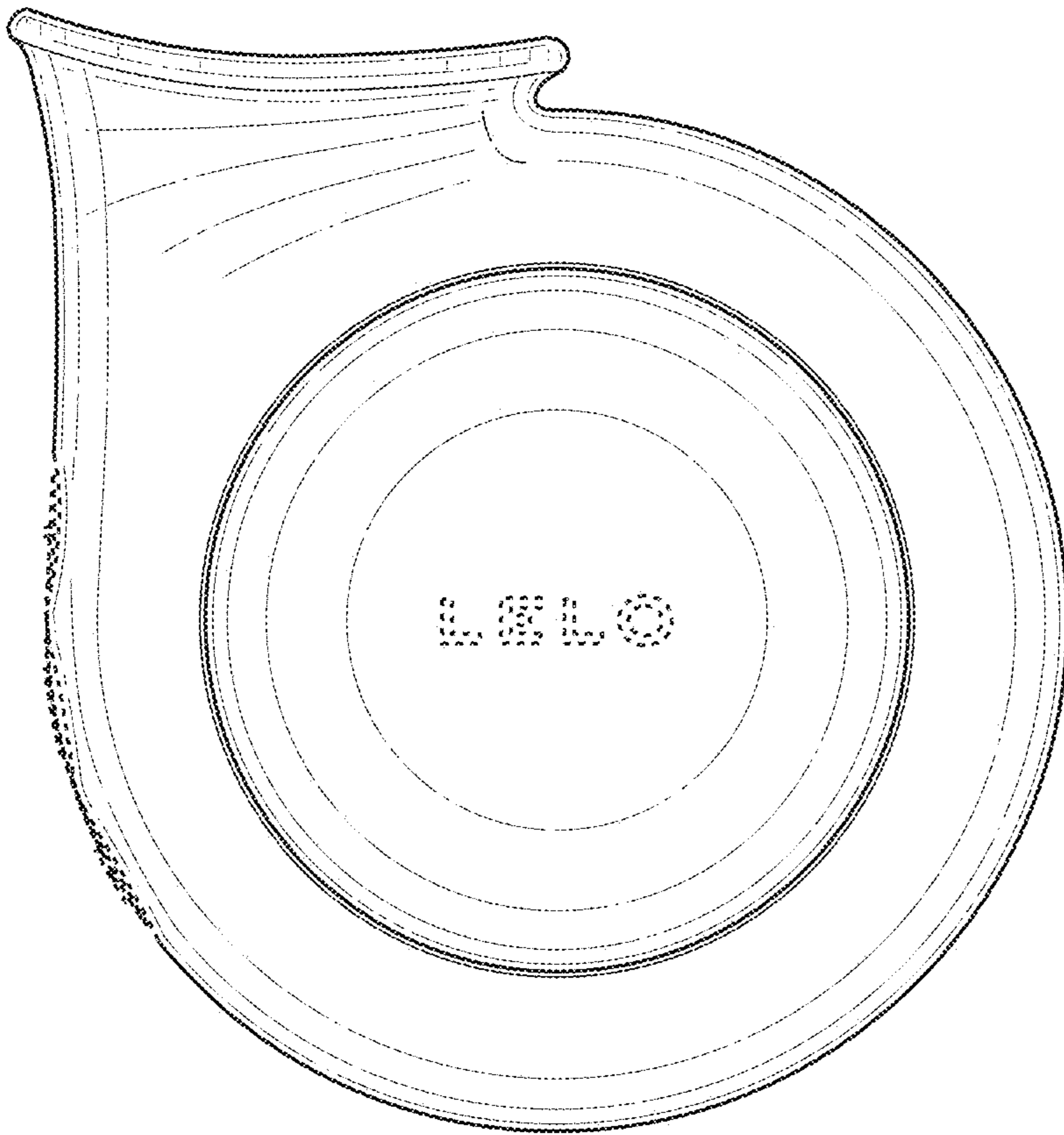


FIG. 4

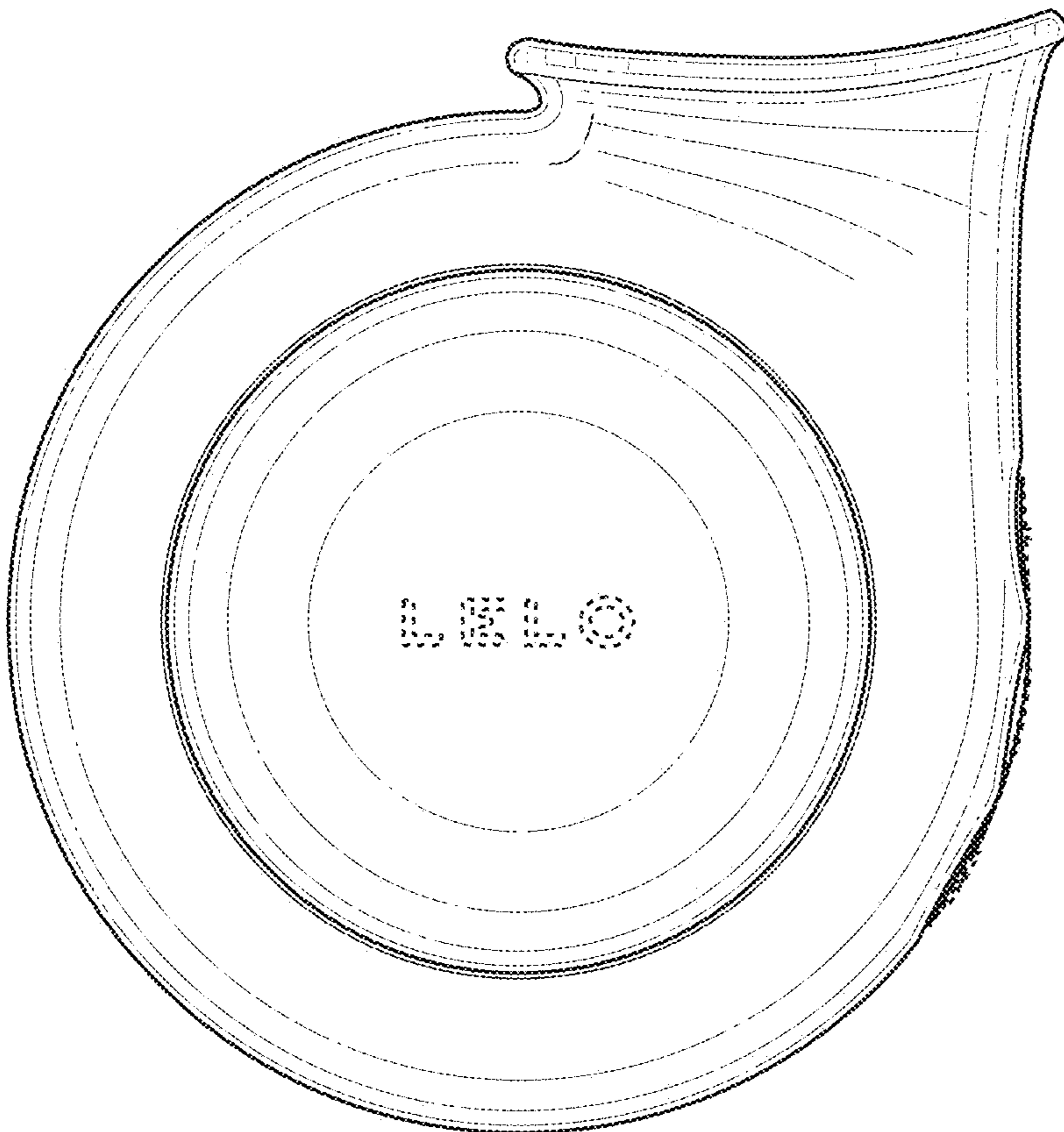


FIG. 5

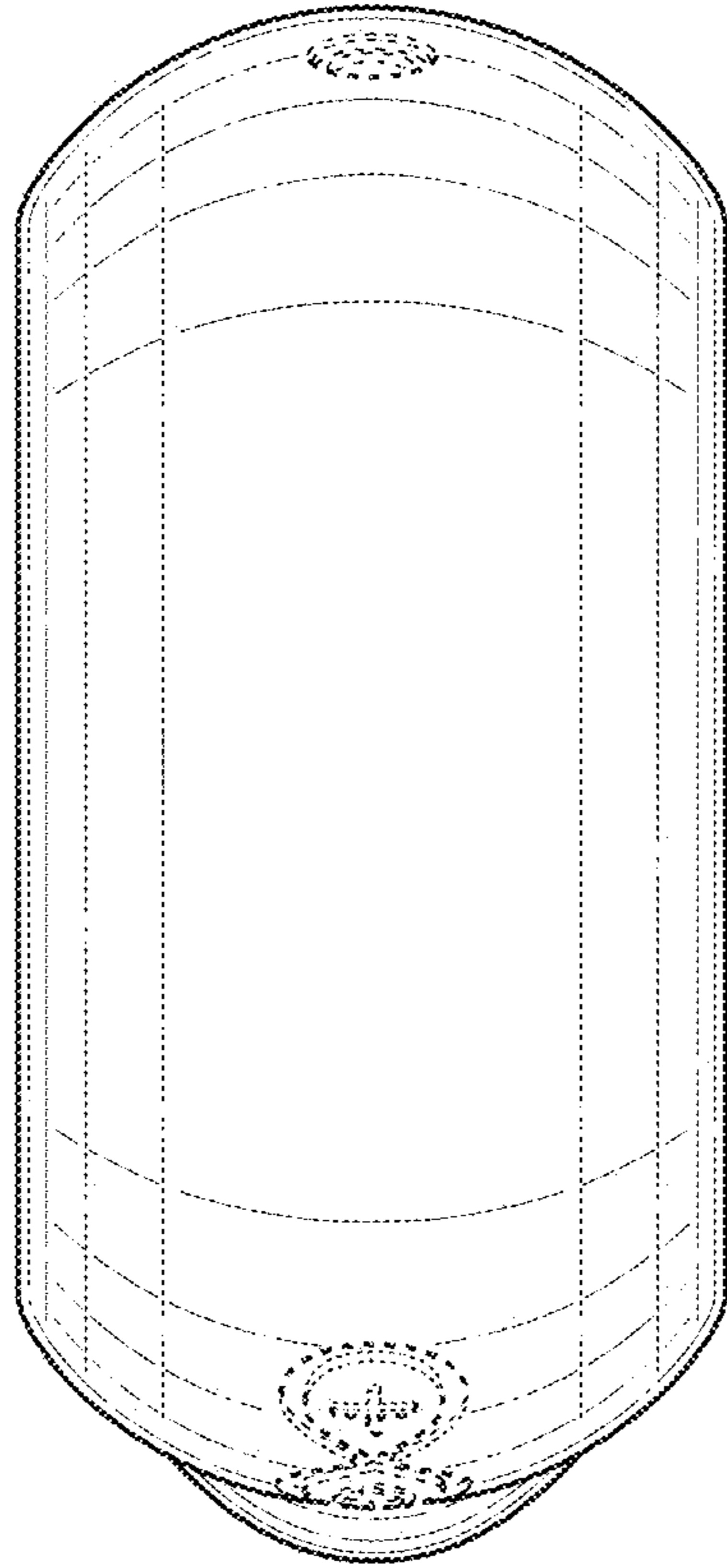


FIG. 6

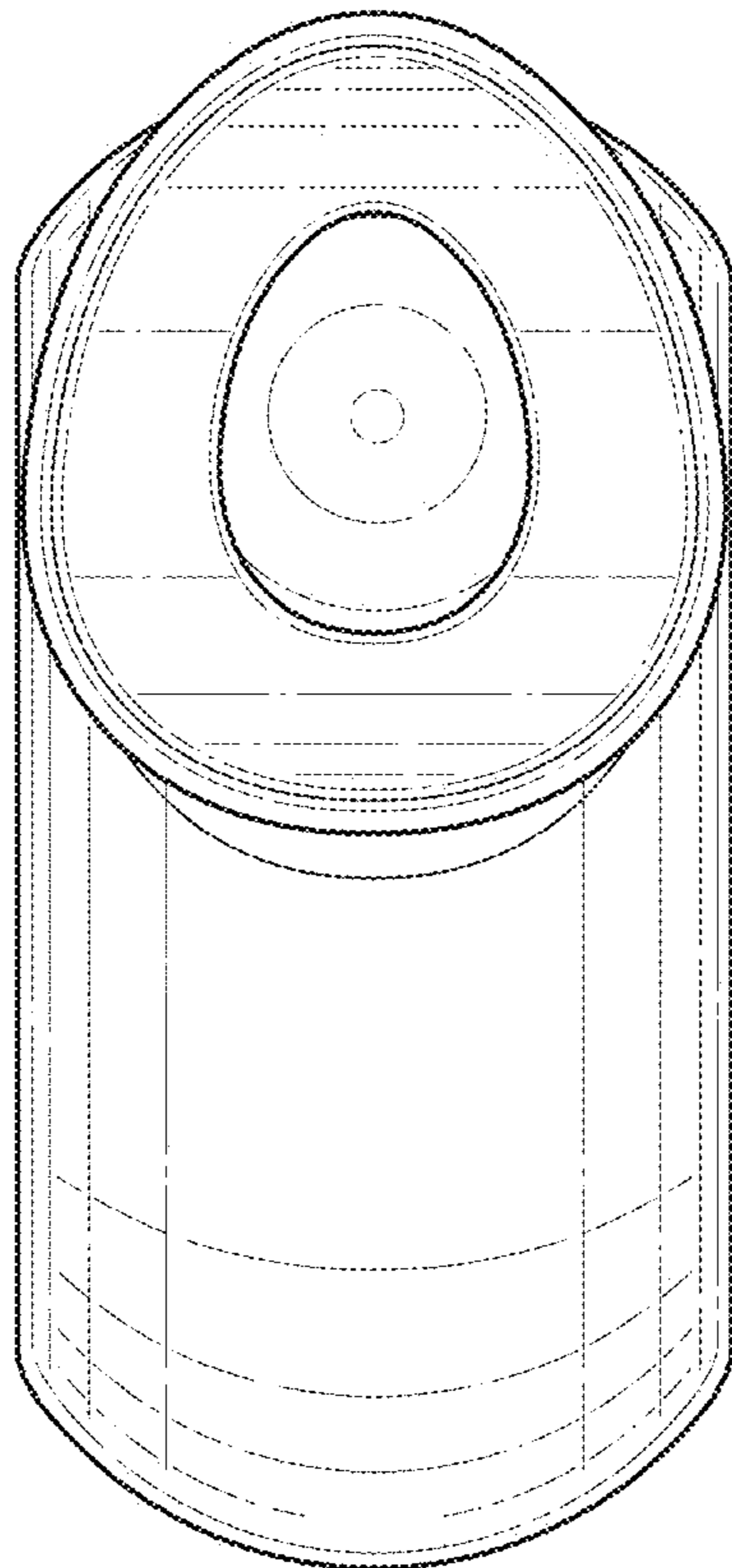


FIG. 7