

US00D949386S

(12) **United States Design Patent** (10) **Patent No.:** **US D949,386 S**  
**Chang** (45) **Date of Patent:** **\*\* Apr. 19, 2022**

- (54) **MINIATURE VIBRATOR**
- (71) Applicant: **California Exotic Novelties LLC**,  
Ontario, CA (US)
- (72) Inventor: **Jack Chang**, Dongguan (CN)
- (73) Assignee: **California Exotic Novelties LLC**,  
Ontario, CA (US)
- (\*\*) Term: **15 Years**
- (21) Appl. No.: **29/726,913**
- (22) Filed: **Mar. 6, 2020**
- (51) **LOC (13) Cl.** ..... **28-03**
- (52) **U.S. Cl.**  
USPC ..... **D24/215**
- (58) **Field of Classification Search**  
USPC ..... D24/119, 133, 200, 211, 212, 213, 214,  
D24/215; D30/160; D28/7, 85, 89;  
D3/29  
CPC ..... A61H 19/32; A61H 19/44; A61H 19/50;  
A61H 2201/1628; A61H 2201/1645  
See application file for complete search history.

- (56) **References Cited**  
**U.S. PATENT DOCUMENTS**
- D228,473 S \* 9/1973 Koshido et al. .... D24/214
- D272,649 S \* 2/1984 Bloch ..... D21/662
- D304,974 S \* 12/1989 Heiligenstein ..... D24/215
- D306,914 S \* 3/1990 Shinohara ..... D28/7
- D311,955 S \* 11/1990 Lie ..... D24/211
- D315,408 S \* 3/1991 Duk ..... D24/211
- D329,290 S \* 9/1992 Geneve ..... D24/211
- D338,070 S \* 8/1993 Lam ..... D24/214
- D374,084 S \* 9/1996 Chen ..... D24/211
- D384,158 S \* 9/1997 Kain ..... D24/200
- D398,402 S \* 9/1998 Kirk ..... D24/211
- D454,959 S \* 3/2002 Harris ..... D24/214
- D465,852 S \* 11/2002 Bloch ..... D24/211
- D491,810 S \* 6/2004 Kostow ..... D28/7

- D509,301 S \* 9/2005 Talbot ..... D24/215
- D510,628 S \* 10/2005 Talbot ..... D24/214
- D539,433 S \* 3/2007 Lui ..... D24/215
- D558,887 S \* 1/2008 Nan ..... D24/105
- D559,992 S \* 1/2008 Potter ..... D24/214
- D585,560 S \* 1/2009 Wu ..... D24/215
- D592,313 S \* 5/2009 Levine ..... D24/214
- D600,357 S \* 9/2009 Chaput ..... D24/214
- D620,601 S \* 7/2010 TerMeer ..... D24/215
- D636,888 S \* 4/2011 Nikitczuk ..... D24/215
- D637,729 S \* 5/2011 Tompkin ..... D24/215
- D648,862 S \* 11/2011 Yen ..... D24/215

(Continued)

**OTHER PUBLICATIONS**

Youtube, "Glam Rechargeable Bullet Vibrator in Blue", Mar. 16, 2020. <https://www.youtube.com/watch?v=ebRsf4QGvbE>. Shown at the 0:18 second mark. (Year: 2020).\*

(Continued)

*Primary Examiner* — Michael A Maharajh

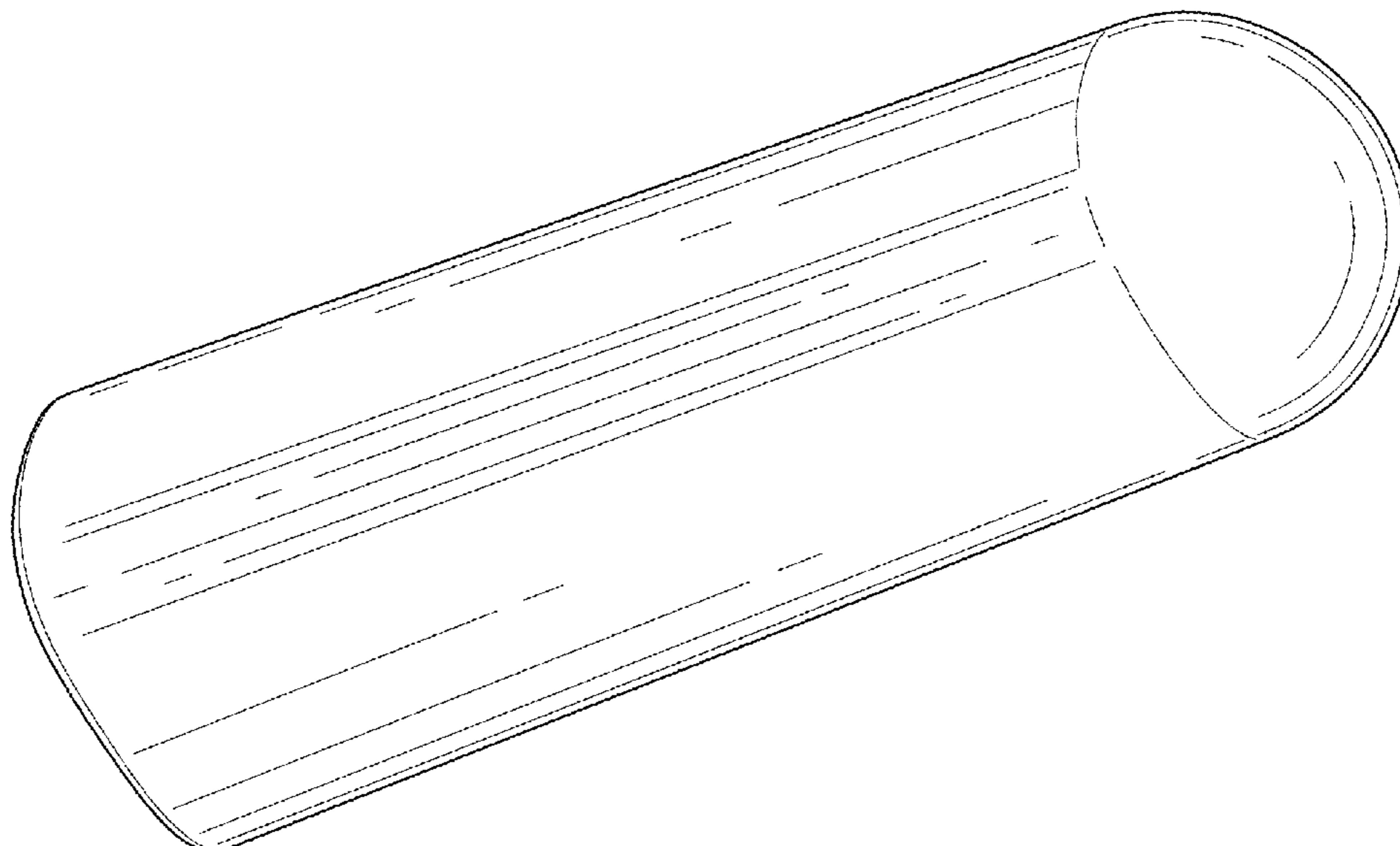
(57) **CLAIM**

The ornamental design for a miniature vibrator, as shown and described.

**DESCRIPTION**

FIG. 1 is a top perspective view of a miniature vibrator showing my new design;  
FIG. 2 is a bottom perspective view thereof;  
FIG. 3 is a front side elevational view thereof, the rear elevational view being a mirror image thereof;  
FIG. 4 is a right side elevational view thereof, the left side elevational view being a mirror image thereof;  
FIG. 5 is a top plan view thereof; and,  
FIG. 6 is a bottom plan view thereof.  
The broken lines in the drawings are for the purposes of illustrating environmental structure, which form no part of the claimed design.

**1 Claim, 5 Drawing Sheets**



(56)

References Cited

U.S. PATENT DOCUMENTS

D649,656 S \* 11/2011 Petersen ..... D24/215  
 D669,997 S \* 10/2012 Crockford ..... D24/215  
 D674,109 S \* 1/2013 Sedic ..... D24/215  
 D681,842 S \* 5/2013 Chang ..... D24/215  
 D687,143 S \* 7/2013 Ogura ..... D24/119  
 D694,417 S \* 11/2013 Tai ..... D24/215  
 D695,413 S \* 12/2013 Grust ..... D24/214  
 D704,345 S \* 5/2014 Tai ..... D24/215  
 D729,397 S \* 5/2015 Reque ..... D24/214  
 D739,546 S \* 9/2015 Cheung ..... D24/215  
 D740,433 S \* 10/2015 Zhu ..... A61H 15/0085  
 D24/215  
 D748,865 S \* 2/2016 Hall ..... D28/85  
 D759,260 S \* 6/2016 Topolovac ..... D24/215  
 D759,261 S \* 6/2016 Son ..... D24/215  
 D760,914 S \* 7/2016 Hutchinson ..... D24/215  
 D797,377 S \* 9/2017 Reggiani ..... D28/89  
 D802,783 S \* 11/2017 Marshall ..... D24/215  
 D802,784 S \* 11/2017 Lee ..... D24/215  
 D817,507 S \* 5/2018 Cheung ..... D24/215  
 D818,142 S \* 5/2018 Cheung ..... D24/215  
 D818,143 S \* 5/2018 Cheung ..... D24/215  
 D826,418 S \* 8/2018 Lad ..... D24/215  
 D826,422 S \* 8/2018 Cheung ..... D24/215  
 D827,849 S \* 9/2018 Marshall ..... D24/215  
 D842,492 S \* 3/2019 Iurchenko ..... D24/215  
 D843,593 S \* 3/2019 Nakamura ..... D24/215  
 D844,801 S \* 4/2019 Cheung ..... D24/215  
 D854,699 S \* 7/2019 Peterson ..... D24/214  
 D865,989 S \* 11/2019 Colclough ..... D24/215  
 D868,989 S \* 12/2019 Marshall ..... D24/215  
 D874,673 S \* 2/2020 Cheung ..... D24/215  
 D874,676 S \* 2/2020 Song ..... D24/215  
 D882,816 S \* 4/2020 Dumler ..... D24/215  
 D886,319 S \* 6/2020 Sugimoto ..... D24/215

D890,944 S \* 7/2020 Tsang ..... D24/215  
 D893,042 S \* 8/2020 Lin ..... D24/215  
 10,744,061 B2 \* 8/2020 Guang ..... A61H 19/34  
 D895,828 S \* 9/2020 Marshall ..... D24/215  
 D903,887 S \* 12/2020 Althoff ..... D24/209  
 D905,259 S \* 12/2020 Wang ..... D24/206  
 D905,265 S \* 12/2020 Tsang ..... D24/215  
 D905,861 S \* 12/2020 Yang ..... D24/215  
 D905,864 S \* 12/2020 Rhodes ..... D24/215  
 D910,904 S \* 2/2021 Liu ..... D27/162  
 D912,263 S \* 3/2021 Chen ..... D24/214  
 D912,266 S \* 3/2021 Chen ..... D24/215  
 D912,839 S \* 3/2021 Yang ..... D24/215  
 D914,228 S \* 3/2021 Lin ..... D24/215  
 D926,334 S \* 7/2021 Gawrychowski ..... D24/215  
 D926,337 S \* 7/2021 Wang ..... D24/215  
 2008/0194907 A1 \* 8/2008 Lin ..... A61H 19/44  
 600/38  
 2018/0104141 A1 \* 4/2018 Shaw ..... A61H 19/44

OTHER PUBLICATIONS

Adam&Eve, "Glam Supercharged Bullet", Apr. 25, 2020. <https://www.adameve.com/adult-sex-toys/vibrators/bullet-eggs/sp-glam-supercharged-bullet-107471.aspx#product-reviews>. Shown on p. 1. (Year: 2020).\*

Amazon, "CalExotics Novelties Glam", Jan. 15, 2020. [https://www.amazon.com/CalExotics-13900\\_PINK-Glam-Pink/dp/B083YHT38N#customerReviews](https://www.amazon.com/CalExotics-13900_PINK-Glam-Pink/dp/B083YHT38N#customerReviews). Shown on p. 1. (Year: 2020).\*

Orbit, "Vibrator for Massage" WIPO Publication Date Jan. 5, 2021. Orbit.com. Registration No. D209380-001. (Year: 2021).\*

California Exotic Novelties, Silver Rechargeable Mini Bullet Vibrator, <<https://www.youtube.com/watch?v=MCgg2aMwn0k>>, at least as early as Feb. 2018, 7 pages.

\* cited by examiner

FIG. 1

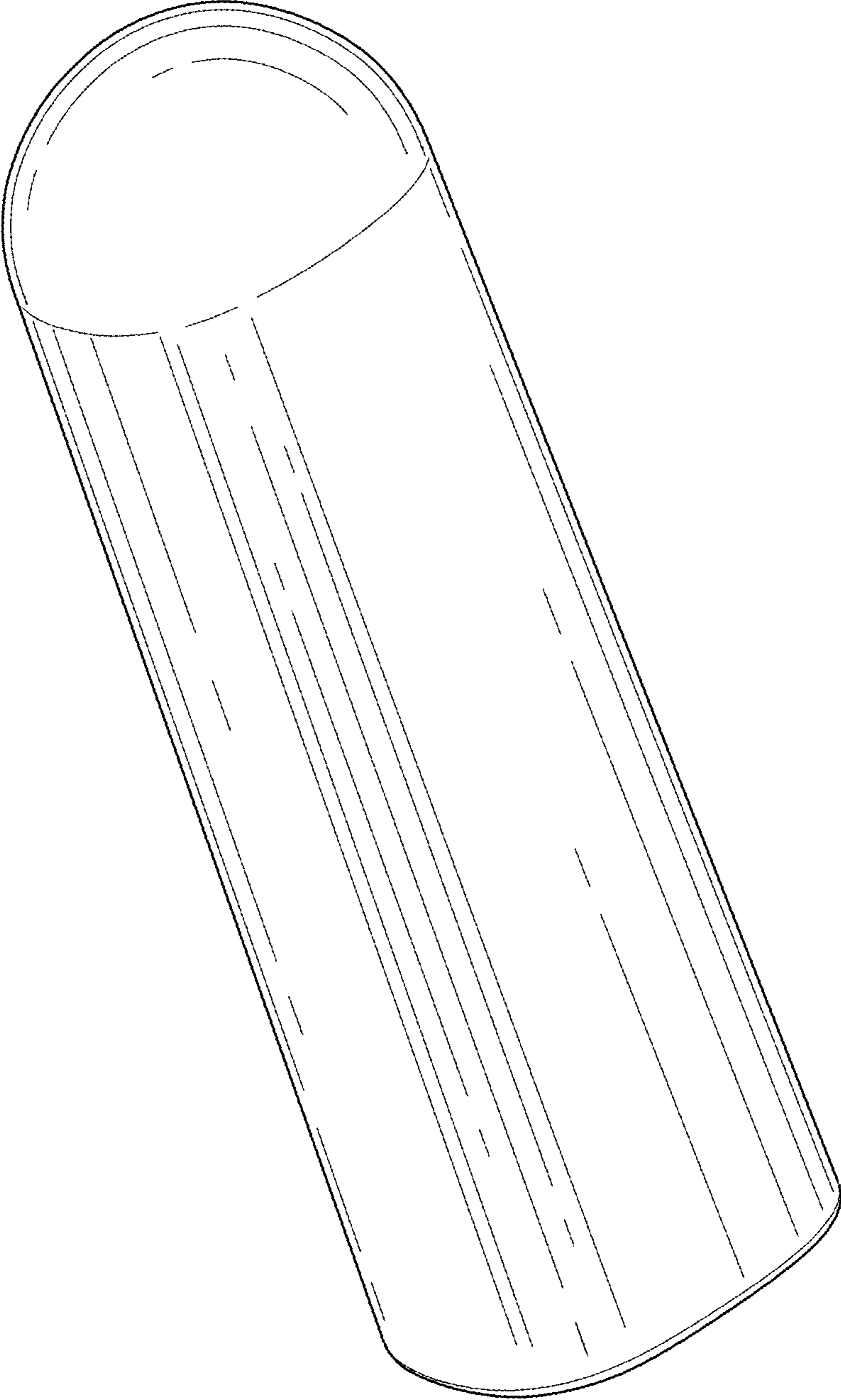
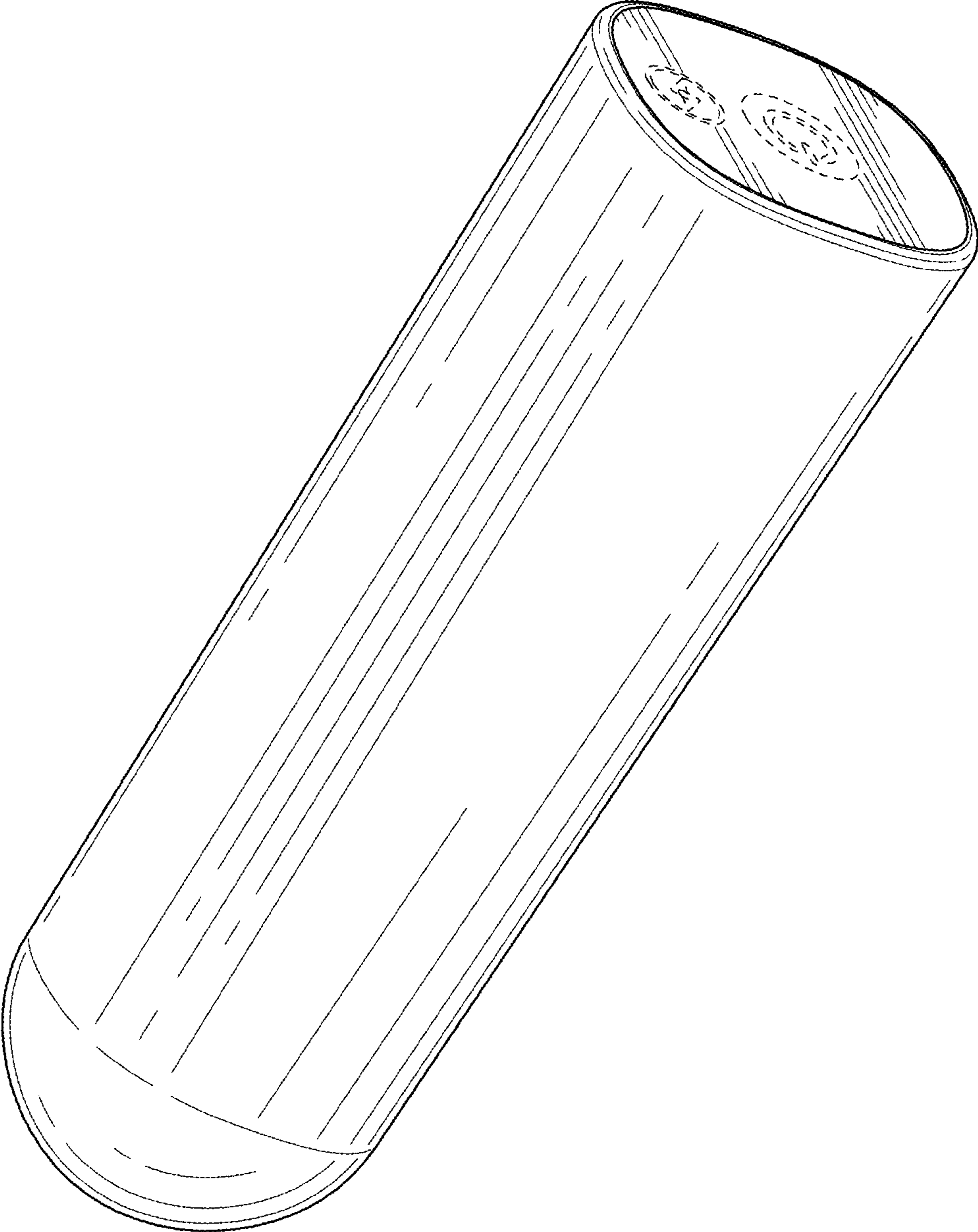
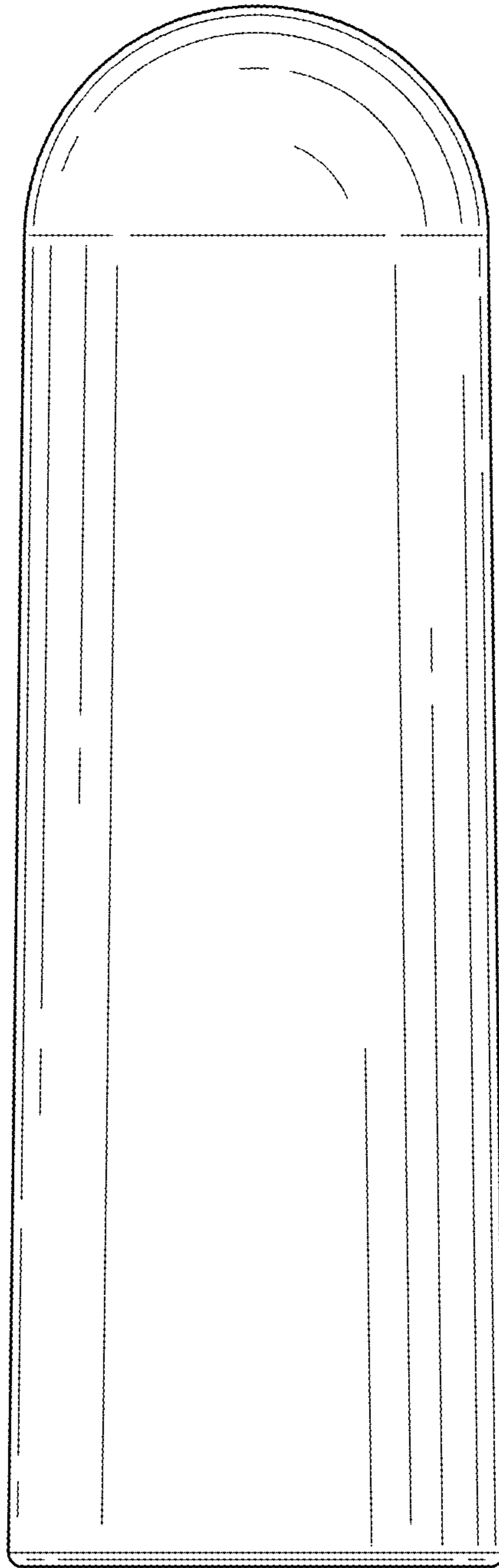




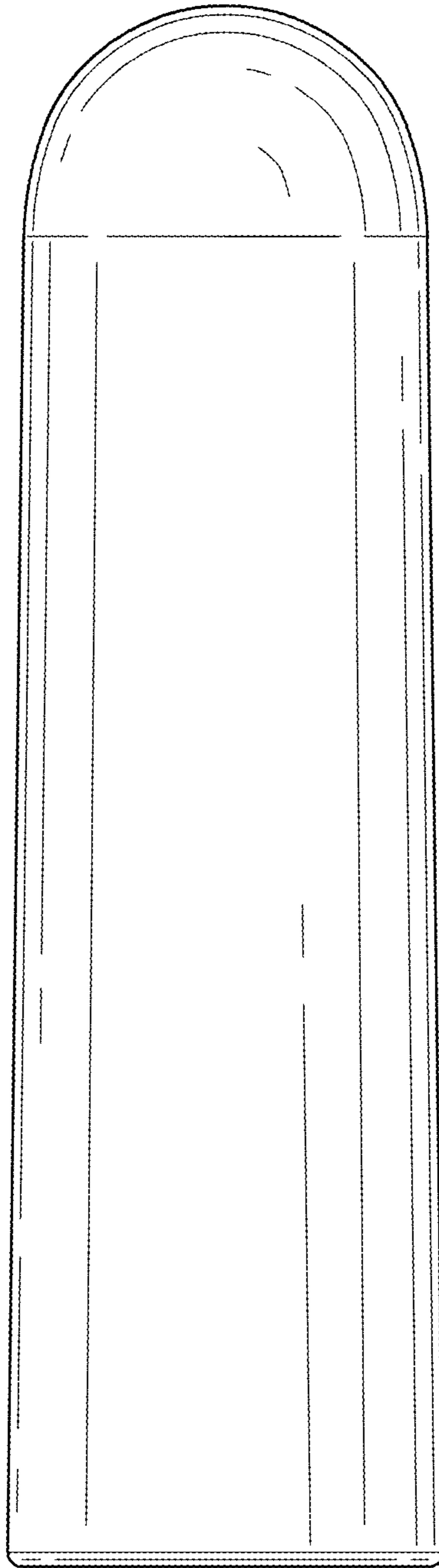
FIG. 2



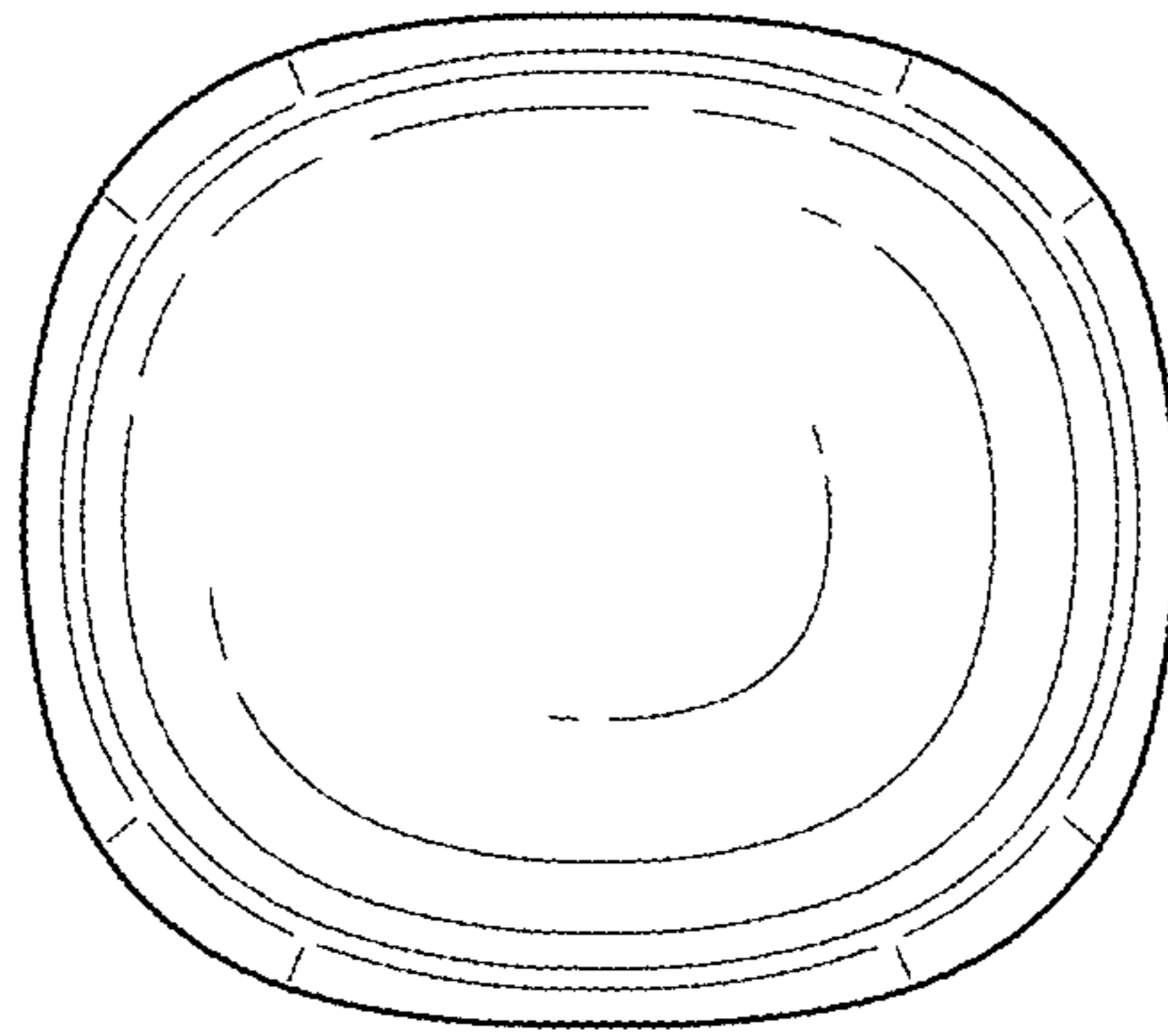
*FIG. 3*



*FIG. 4*



*FIG. 5*



*FIG. 6*

