



US00D949382S

(12) **United States Design Patent**
Zhou

(10) **Patent No.:** **US D949,382 S**

(45) **Date of Patent:** **** Apr. 19, 2022**

(54) **MASSAGER**

(71) Applicant: **Zhejiang Rifeng Electric Appliance CO. LTD**, Wenzhou (CN)

(72) Inventor: **Weifeng Zhou**, Wenzhou (CN)

(**) Term: **15 Years**

(21) Appl. No.: **29/720,181**

(22) Filed: **Jan. 10, 2020**

(51) **LOC (13) Cl.** **28-03**

(52) **U.S. Cl.**
USPC **D24/215**

(58) **Field of Classification Search**
USPC D24/200, 203, 205, 211, 212, 213, 214, D24/215

CPC A61H 2205/12; A61H 2201/164; A61H 2205/125; A61H 35/00; A61H 1/0266

See application file for complete search history.

(56) **References Cited**

U.S. PATENT DOCUMENTS

D310,416 S *	9/1990	Yamasaki	D24/211
5,107,822 A *	4/1992	Ohashi	A61H 1/0237 482/79
D340,116 S *	10/1993	Ohashi	D24/200
D340,529 S *	10/1993	Ohashi	D24/200
D363,555 S *	10/1995	Lie	D24/213
D379,661 S *	6/1997	You	D24/213
D390,963 S *	2/1998	Scholpp	D24/213
D419,682 S *	1/2000	Lie	D24/213
D444,884 S *	7/2001	Huang	D24/213
D477,415 S *	7/2003	Miyake	D24/212
D487,514 S *	3/2004	Lie	D24/213
D487,515 S *	3/2004	Lie	D24/213
D524,947 S *	7/2006	Gleason	D24/213
D527,460 S *	8/2006	Kawamura	D24/200
D535,402 S *	1/2007	Lifeng	D24/200
D535,751 S *	1/2007	Lifeng	D24/200
D548,352 S *	8/2007	Maesawa	D24/212
D548,353 S *	8/2007	Maesawa	D24/212
7,273,461 B2 *	9/2007	Baek	A61H 9/0078 601/134

D584,826 S *	1/2009	Ng	D24/213
D590,065 S *	4/2009	Yuyama	D24/212
D643,127 S *	8/2011	Lim	D24/213
D648,859 S *	11/2011	Ng	D24/212
D652,940 S *	1/2012	Byle	D24/215
D783,847 S *	4/2017	Galati, Jr.	D24/204
D846,752 S *	4/2019	Zhou	D24/213
2003/0060741 A1 *	3/2003	Park	A61H 35/006 601/20
2005/0137502 A1 *	6/2005	Harashima	A61H 23/0254 601/84

(Continued)

OTHER PUBLICATIONS

Amazon, "Foot Massager", Apr. 26, 2016. [*Primary Examiner* — Michael A Maharajh](https://www.amazon.com/dp/B016ZX5H2G/ref=sspa_dk_detail_5?psc=1&pd_rd_i=B016ZX5H2G&pd_rd_w=oGUuE&pf_rd_p=cbc856ed-1371-4f23-b89d-d3fb30edf66d&pd_rd_wg=Fzlk&pf_rd_r=NXVWKB4Z4K6EAH72002&pd_rd_r=3c05f499-bd0f-47b3-96c4-1430a9a5c2c3&spLa=ZW5jcnlwdG. p. 1. (Year: 2016).*</p></div>
<div data-bbox=)

(74) *Attorney, Agent, or Firm* — W&KIP

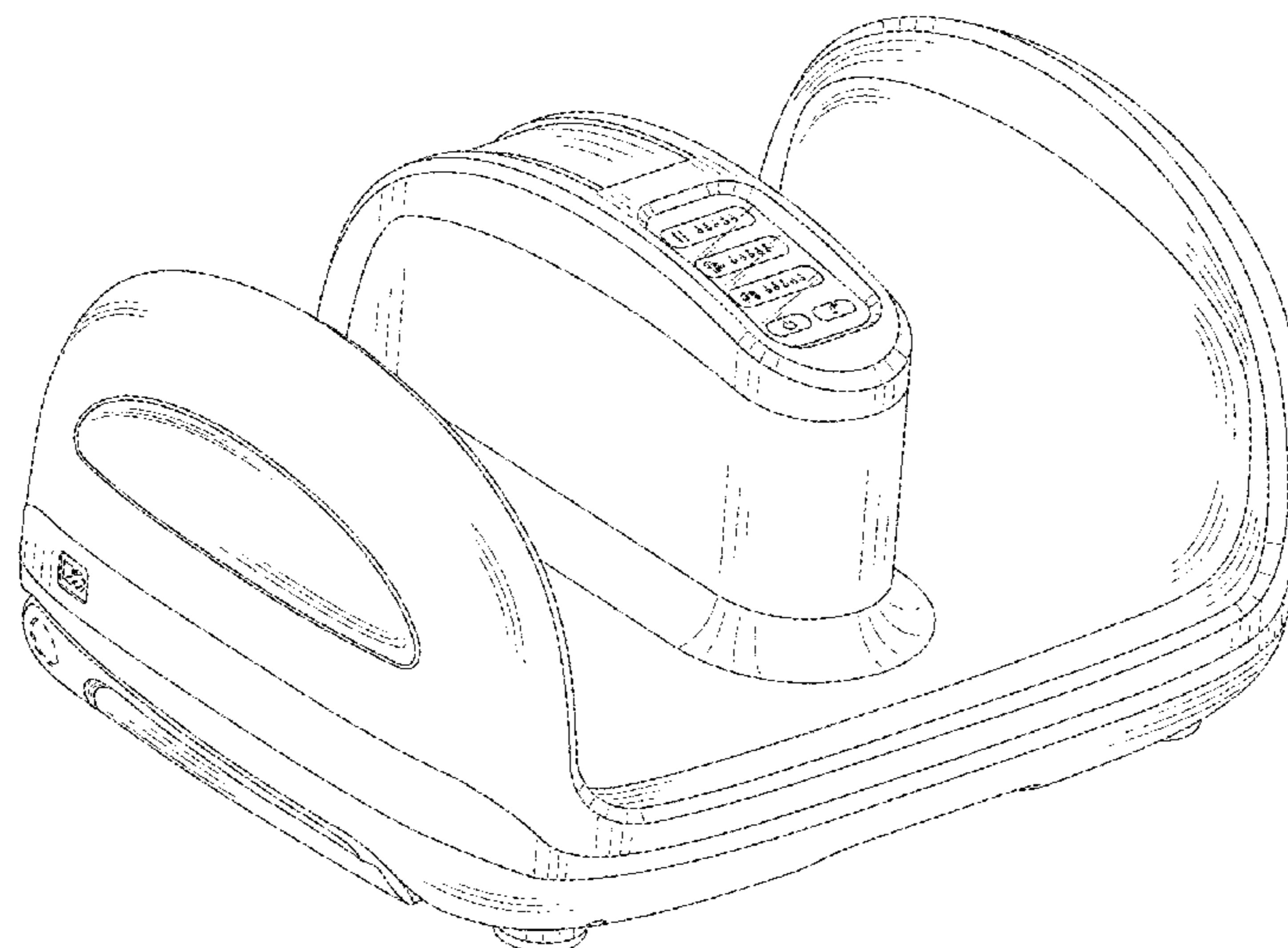
(57) **CLAIM**

The ornamental design for a massager, as shown and described.

DESCRIPTION

FIG. 1 is a perspective view of a massager; FIG. 2 is a front elevational view thereof; FIG. 3 is a rear elevational view thereof; FIG. 4 is a left elevational view thereof; FIG. 5 is a right elevational view thereof; FIG. 6 is a top plan view thereof; FIG. 7 is a bottom plan view thereof; and, FIG. 8 is another perspective view thereof. The evenly broken lines where present illustrate portions of the massager that form no part of the claimed design.

1 Claim, 8 Drawing Sheets



(56)

References Cited

U.S. PATENT DOCUMENTS

2006/0059618 A1* 3/2006 Chung A61H 33/6089
4/622
2007/0078362 A1* 4/2007 Chen A61H 15/0078
601/94
2007/0232968 A1* 10/2007 Watanabe A61H 7/001
601/90
2012/0095375 A1* 4/2012 Ishiguro A61H 7/007
601/112
2020/0029749 A1* 1/2020 Wade A47K 7/026

* cited by examiner

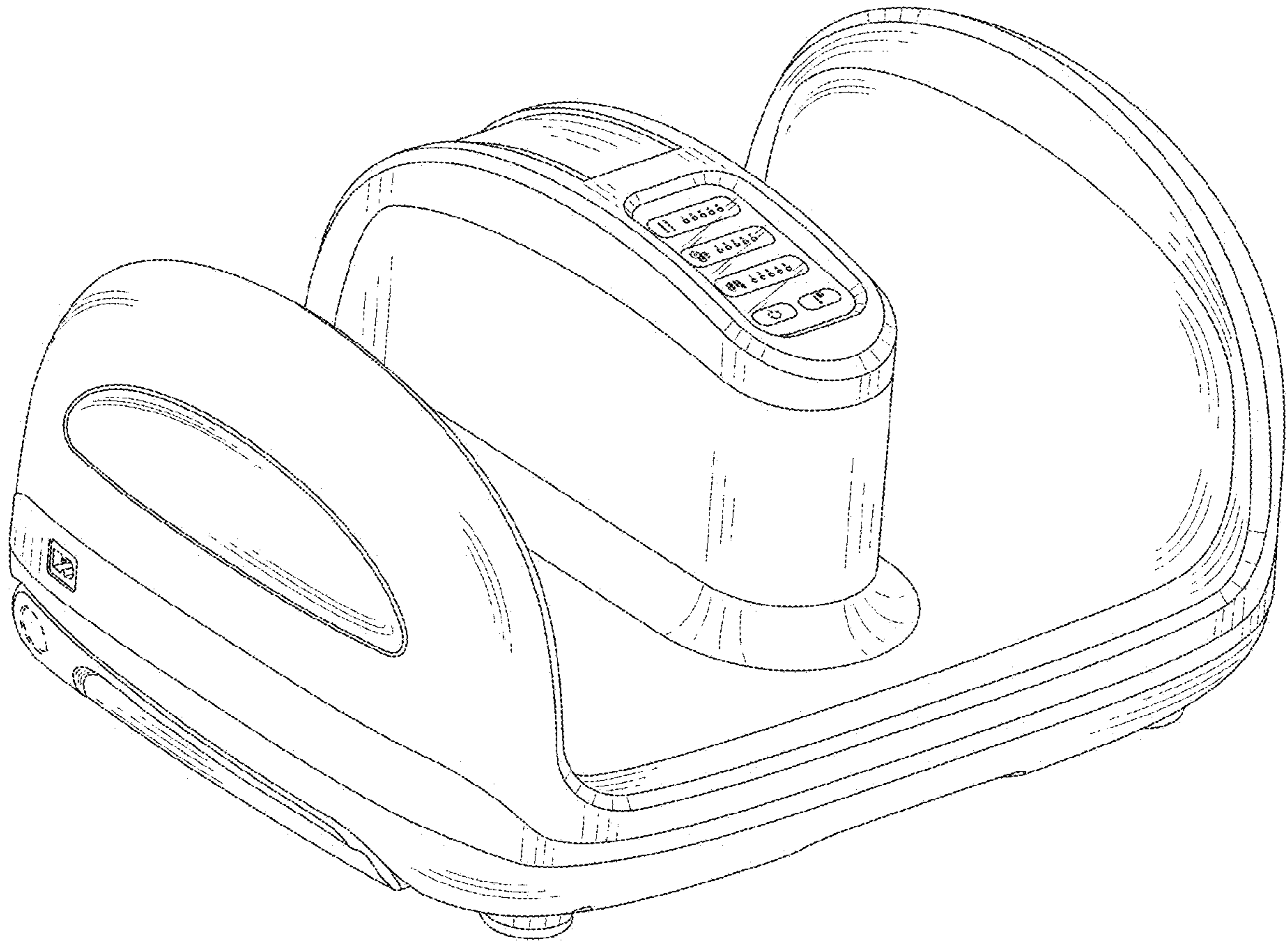


FIG. 1

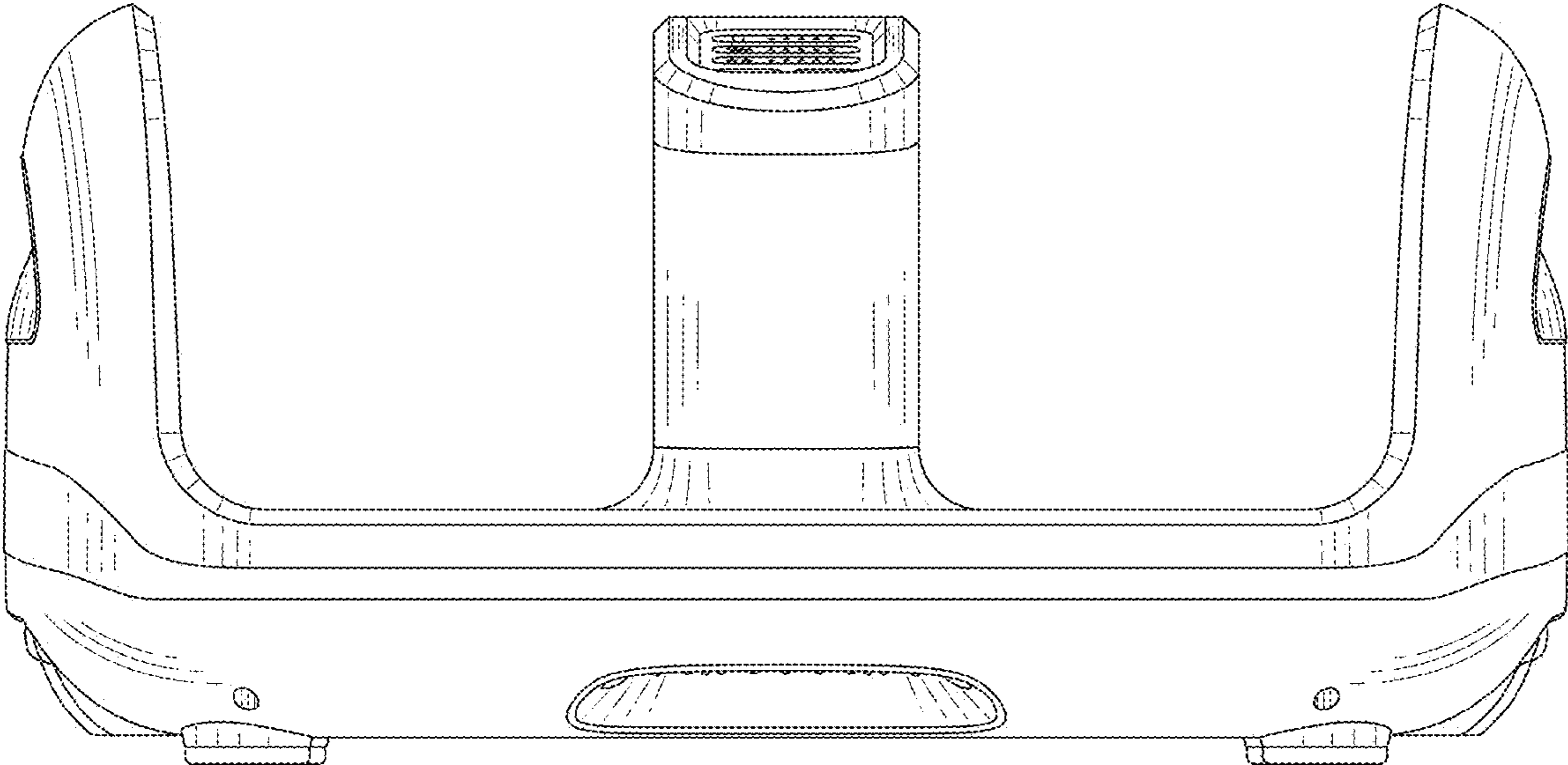


FIG.2

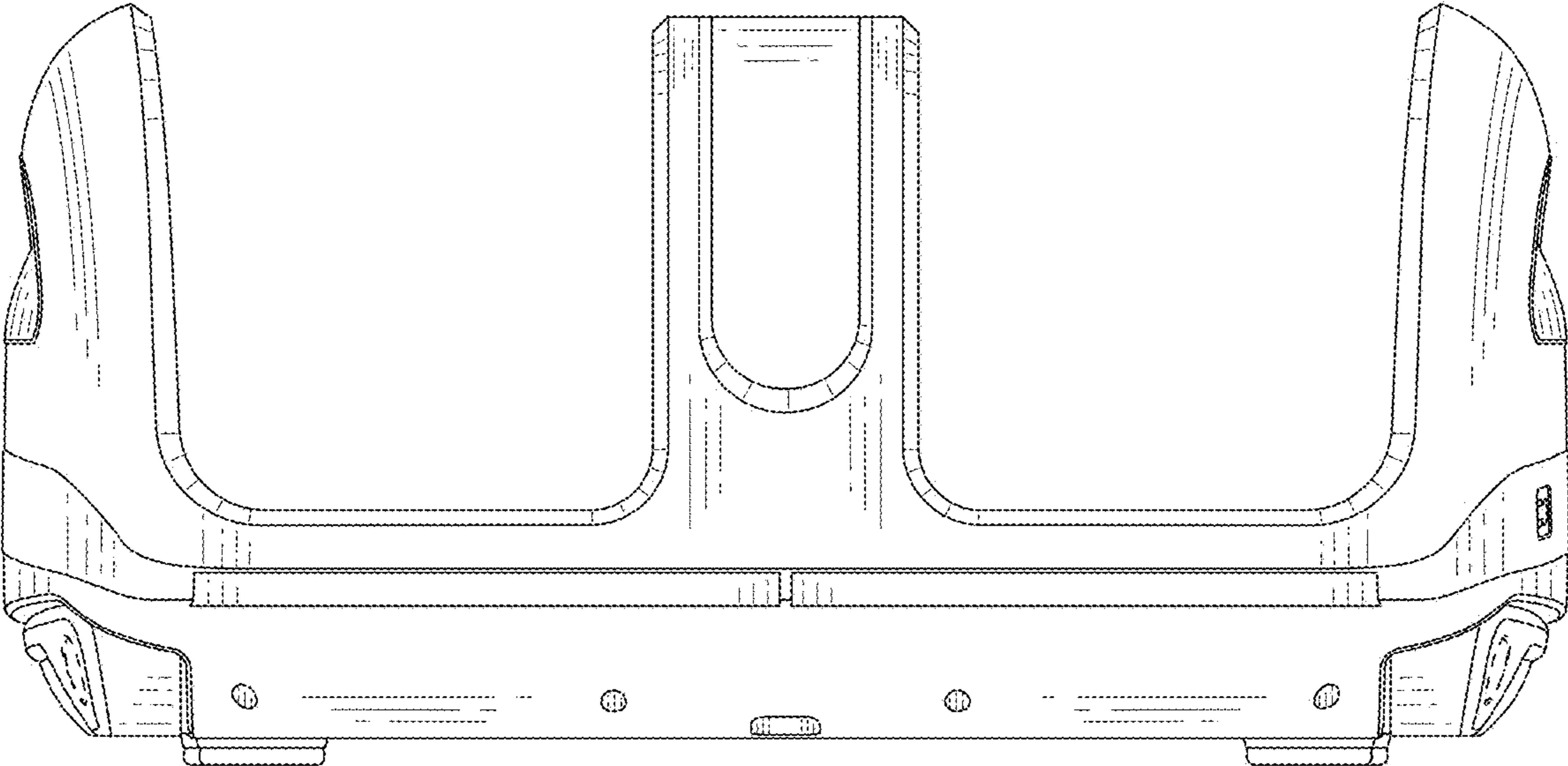


FIG.3

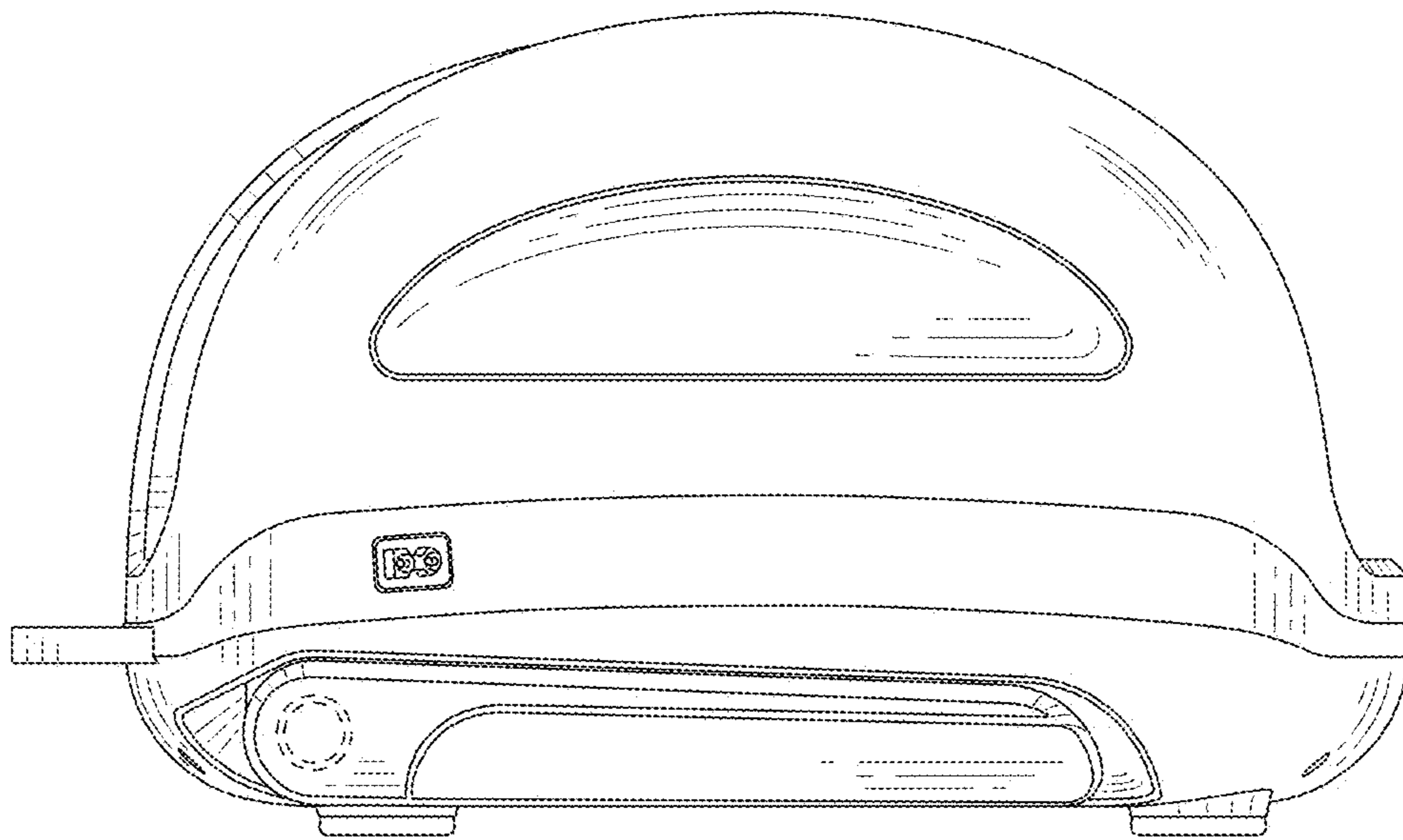


FIG.4

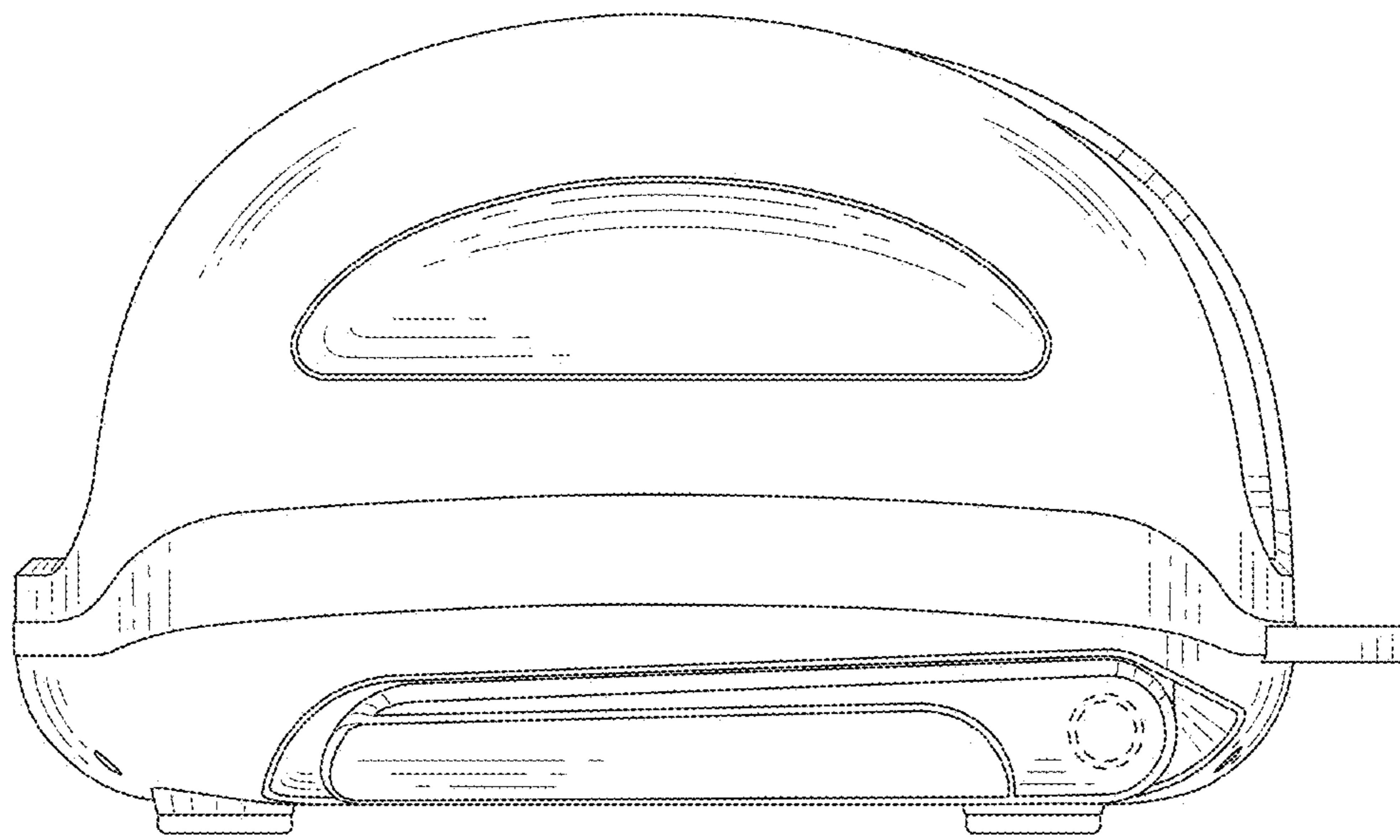


FIG.5

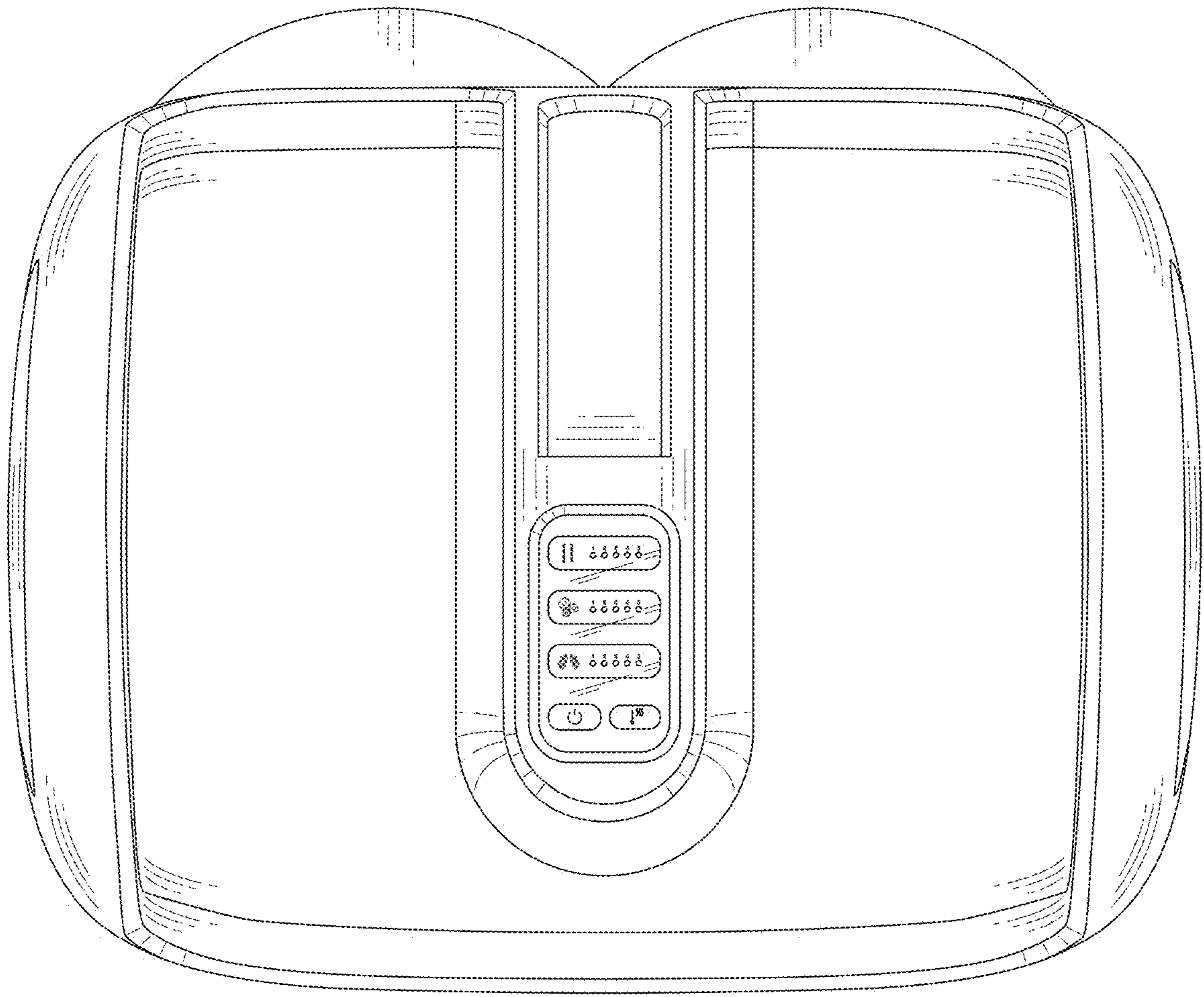


FIG.6

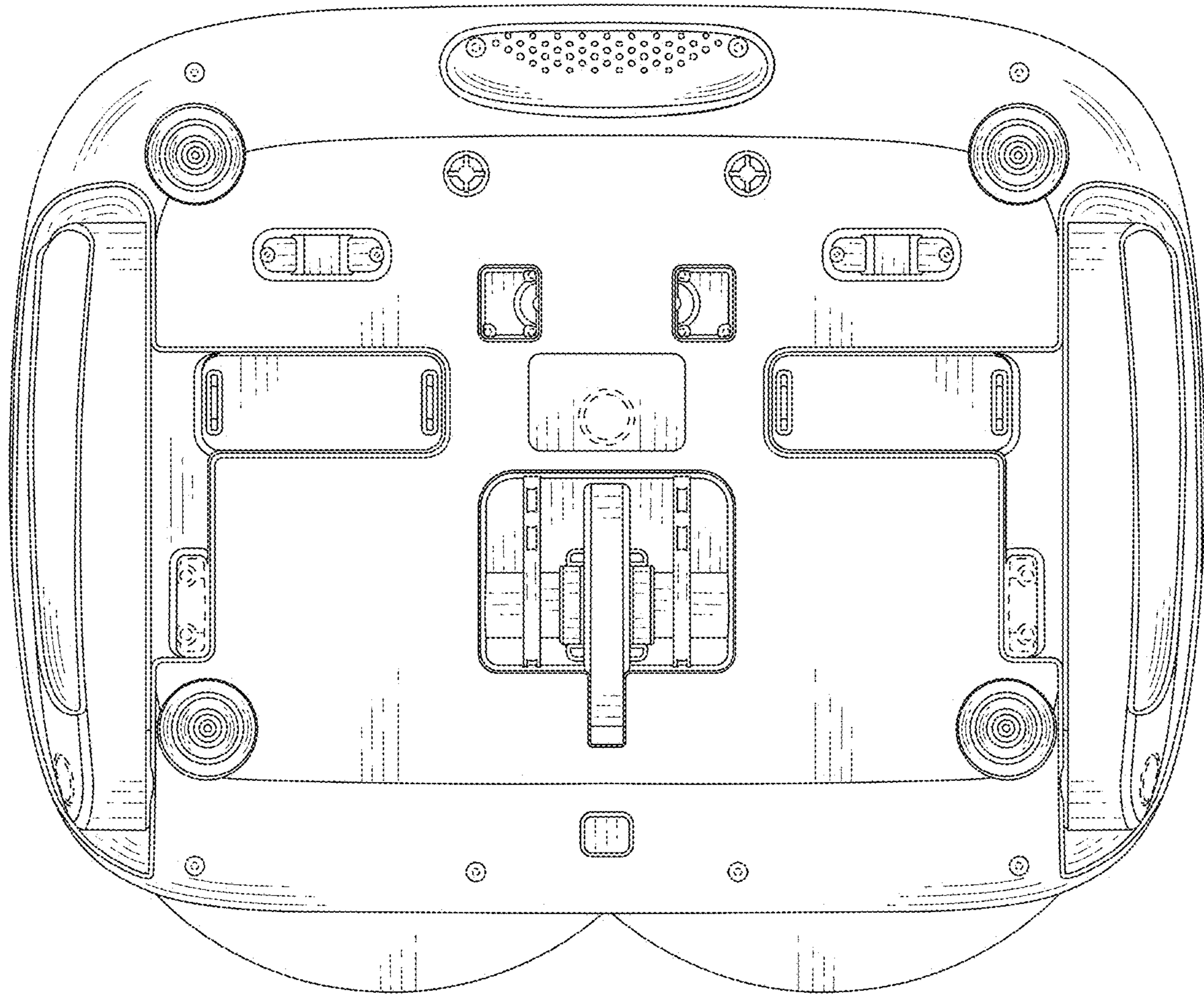


FIG.7

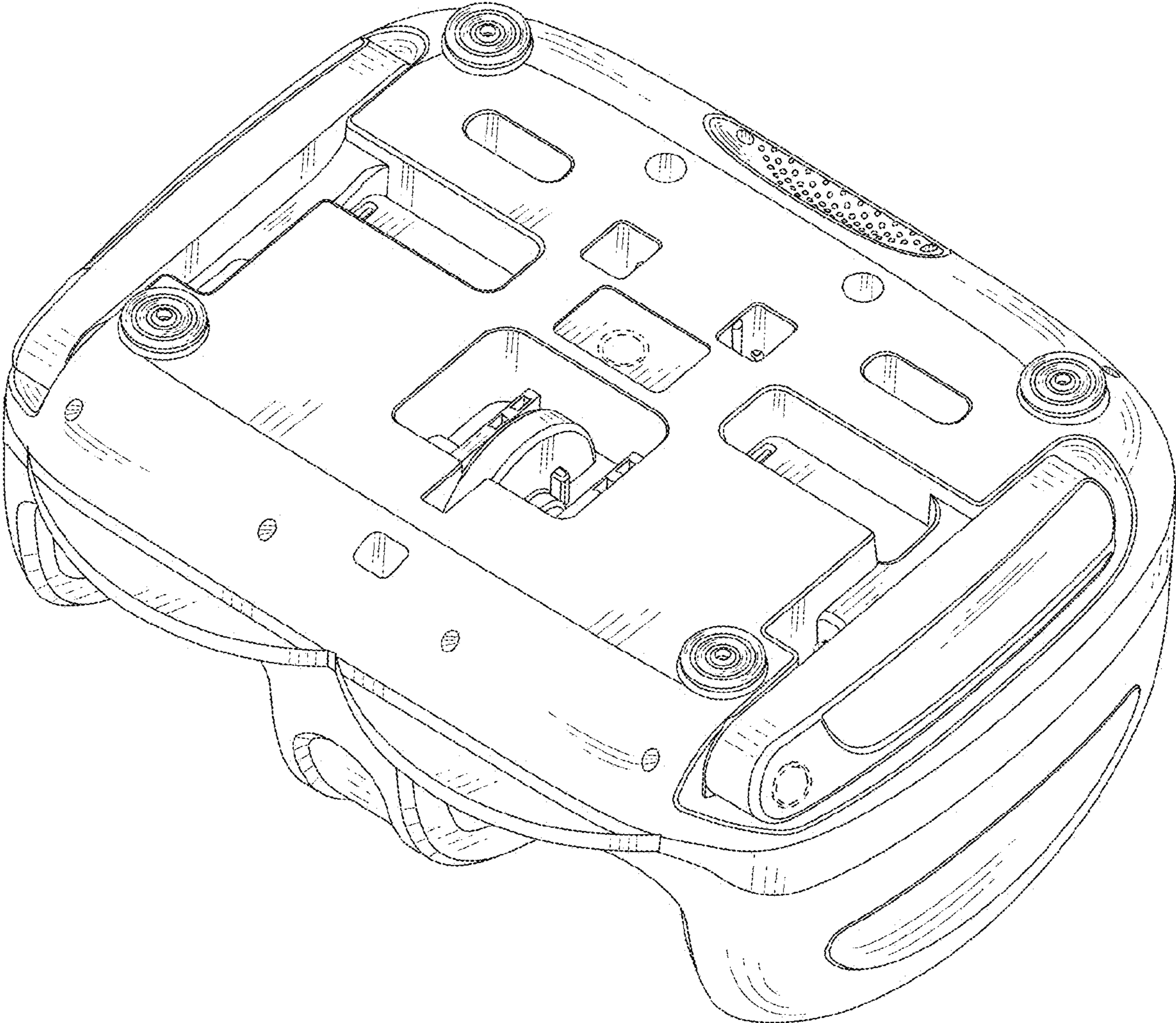


FIG.8