

US00D949381S

(12) **United States Design Patent**
Kong

(10) **Patent No.:** **US D949,381 S**

(45) **Date of Patent:** **** Apr. 19, 2022**

(54) **MESSAGE DEVICE**

(71) Applicant: **GoPlus Corp.**, Fontana, CA (US)

(72) Inventor: **Xujuan Kong**, Ningbo (CN)

(73) Assignee: **GoPlus Corp.**, Fontana, CA (US)

(*) Notice: Patent file contains an affidavit/declaration under 37 CFR 1.130(b).

(**) Term: **15 Years**

(21) Appl. No.: **29/720,119**

(22) Filed: **Jan. 9, 2020**

(51) **LOC (13) Cl.** **28-03**

(52) **U.S. Cl.**
USPC **D24/215**

(58) **Field of Classification Search**
USPC D24/200, 211, 212, 213, 214, 215;
D8/14.1; D28/13, 44.1
CPC A61H 2201/1635; A61H 23/006; A61H
1/00; A61H 15/02; A61H 1/008
See application file for complete search history.

(56) **References Cited**

U.S. PATENT DOCUMENTS

D616,558	S	*	5/2010	Tsai	D24/200
D808,076	S	*	1/2018	Gabriele	D28/44.1
D844,896	S	*	4/2019	Levi	D28/44.1
D847,362	S	*	4/2019	Tang	D24/215
D847,364	S	*	4/2019	Lee	D24/215
10,314,762	B1	*	6/2019	Marton	A61H 23/006
D855,822	S	*	8/2019	Marton	D24/215
D863,571	S	*	10/2019	Yang	D24/200
D866,790	S	*	11/2019	Lee	D24/215
D872,869	S	*	1/2020	Lu	D24/215
D873,432	S	*	1/2020	Duan	D24/214
D874,015	S	*	1/2020	Marton	D24/215
D875,961	S	*	2/2020	Li	D24/211
D877,351	S	*	3/2020	Wersland	D24/215
D879,985	S	*	3/2020	Wersland	D24/214

D879,986	S	*	3/2020	Wersland	D24/214
D880,714	S	*	4/2020	Wersland	D24/215
D880,715	S	*	4/2020	Wersland	D24/215

(Continued)

OTHER PUBLICATIONS

Amazon, "GoPlus Massage Gun", Oct. 9, 2019. https://www.amazon.ca/Goplus-Percussion-Stiffness-High-Intensity-Rechargeable/dp/B07TS19QCZ/ref=cm_cr_ar_p_d_product_top?ie=UTF8. Shown on p. 1. (Year: 2019).*

(Continued)

Primary Examiner — Michael A Maharajh

(74) *Attorney, Agent, or Firm* — Troutman Pepper Hamilton Sanders LLP

(57) **CLAIM**

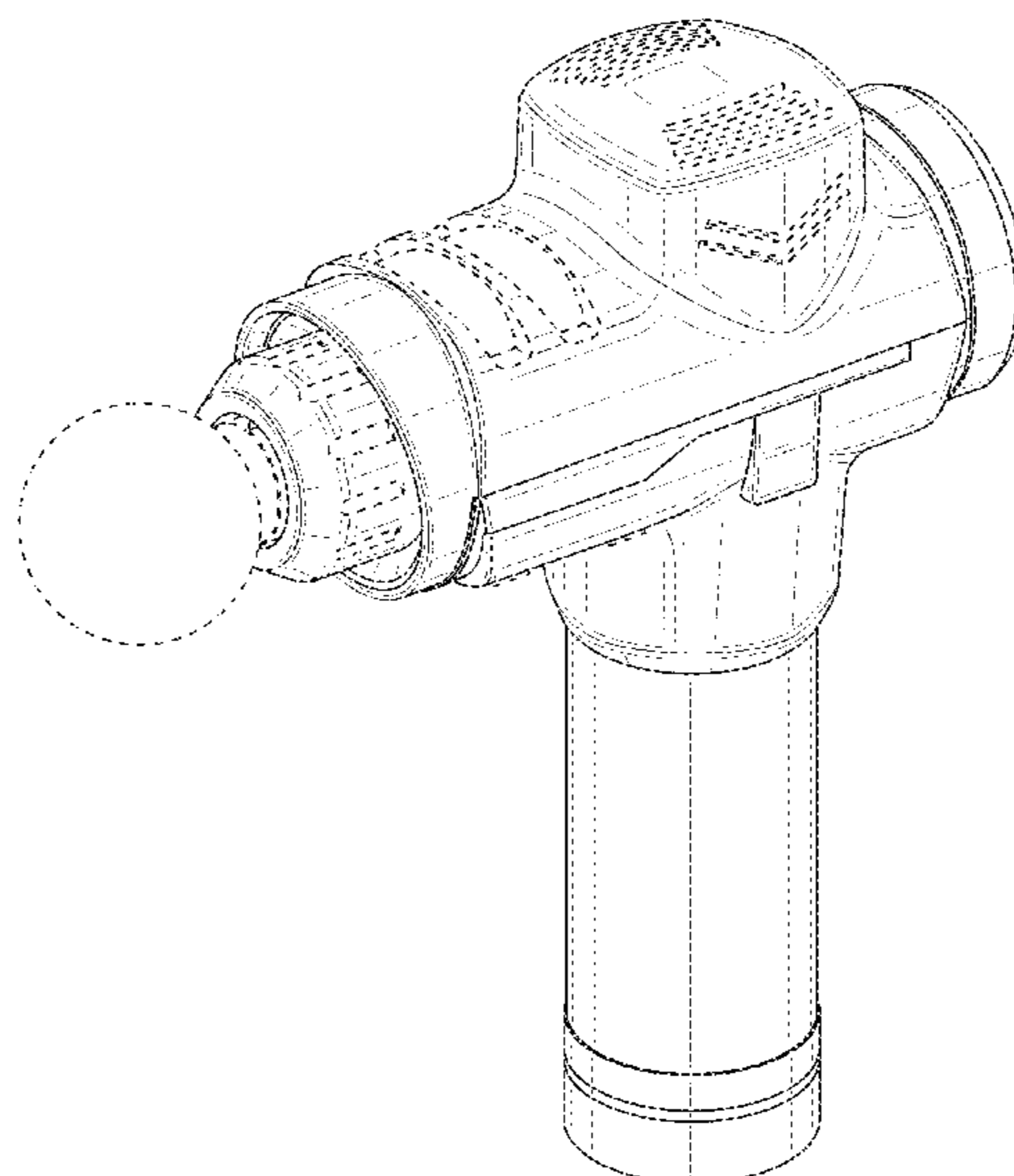
I claim the ornamental design for a massage device, as shown and described.

DESCRIPTION

FIG. 1 is an upper perspective view of the massage device; FIG. 2 is a front plan view of the design shown in FIG. 1; FIG. 3 is a rear plan view of the design shown in FIG. 1; FIG. 4 is a left side plan view of the design shown in FIG. 1; FIG. 5 is a right side plan view of the design shown in FIG. 1; FIG. 6 is a top plan view of the design shown in FIG. 1; FIG. 7 is a bottom plan view of the design shown in FIG. 1; and, FIG. 8 is a lower perspective view of the design shown in FIG. 1.

The broken lines shown in the drawings are for the purpose of illustrating portions of the massage device, which form no part of the claimed design. The shade lines shown represent surface shading and not surface ornamentation, color, or material type.

1 Claim, 8 Drawing Sheets



(56)

References Cited

U.S. PATENT DOCUMENTS

D880,716 S * 4/2020 Wersland D24/215
 D884,205 S * 5/2020 Zhuang D24/215
 D884,207 S * 5/2020 Ma D24/215
 D884,915 S * 5/2020 Wersland D24/215
 D885,601 S * 5/2020 Wersland D24/215
 D886,317 S * 6/2020 Marton D24/215
 D887,573 S * 6/2020 Wersland D24/215
 10,714,953 B1 * 7/2020 Solana H02J 7/0044
 D893,738 S * 8/2020 Zhuang D24/215
 D895,132 S * 9/2020 Hu D24/215
 D895,133 S * 9/2020 Xu D24/215
 D895,135 S * 9/2020 Xu D24/215
 D895,829 S * 9/2020 Hu D24/215
 D895,831 S * 9/2020 Chen D24/215
 D896,396 S * 9/2020 Wersland D24/215
 D898,209 S * 10/2020 Xu D24/214
 D898,933 S * 10/2020 Xu D24/215
 D899,620 S * 10/2020 Huang D24/215
 D900,329 S * 10/2020 Xu D24/215
 D905,863 S * 12/2020 Lin D24/215
 D906,533 S * 12/2020 Xu D24/215
 D907,229 S * 1/2021 Zhang D24/215
 D907,230 S * 1/2021 Zhang D24/215
 D908,908 S * 1/2021 Xu D24/215
 D910,194 S * 2/2021 Radtke D24/215
 D911,535 S * 2/2021 Yu D24/200
 D912,267 S * 3/2021 Tang D24/215
 D912,268 S * 3/2021 Xiang D24/215
 D912,835 S * 3/2021 Ren D24/200
 D913,516 S * 3/2021 Zhang D24/215
 D913,517 S * 3/2021 Yu D24/215
 D914,966 S * 3/2021 Kim D28/13
 10,940,081 B2 * 3/2021 Nazarian A61H 23/006
 10,959,911 B2 * 3/2021 Wersland A61H 1/00
 D916,307 S * 4/2021 Xiong D24/215
 D917,060 S * 4/2021 Hu D24/215
 D918,408 S * 5/2021 Huang D24/215
 10,993,874 B1 * 5/2021 Marton A61H 23/02
 D921,215 S * 6/2021 Xu D24/215
 D921,914 S * 6/2021 Wersland D24/214
 D921,916 S * 6/2021 Xu D24/215

D921,917 S * 6/2021 Xu D24/215
 D923,187 S * 6/2021 Ma D24/211
 D923,188 S * 6/2021 Xu D24/211
 D923,190 S * 6/2021 Xu D24/214
 D923,194 S * 6/2021 Xu D24/215
 D924,422 S * 7/2021 Huang D24/215
 D924,425 S * 7/2021 Grbic D24/215
 D925,751 S * 7/2021 Wu D24/211
 D925,755 S * 7/2021 Zheng D24/215
 D925,756 S * 7/2021 Xu D24/215
 D925,758 S * 7/2021 Xu D24/215
 D926,333 S * 7/2021 Zhang D24/215
 D926,335 S * 7/2021 Zhang D24/215
 D926,338 S * 7/2021 Xu D24/215
 D927,714 S * 8/2021 Li D24/215
 D927,715 S * 8/2021 Li D24/215
 2015/0282878 A1 * 10/2015 Kindermann A61B 18/18
 606/9
 2016/0338899 A1 * 11/2016 Howson A61H 7/001
 2016/0367425 A1 * 12/2016 Wersland A61H 1/008
 2017/0079865 A1 * 3/2017 Kao A61H 1/008
 2017/0304145 A1 * 10/2017 Pepe A61H 23/006
 2018/0200141 A1 * 7/2018 Wersland A61H 15/0085
 2019/0254921 A1 * 8/2019 Marton A61H 23/0254
 2020/0069510 A1 * 3/2020 Wersland A61H 23/006
 2020/0085675 A1 * 3/2020 Lee A61H 1/00
 2020/0214930 A1 * 7/2020 Wersland A61H 1/00
 2020/0261306 A1 * 8/2020 Pepe A61H 23/0254
 2020/0261307 A1 * 8/2020 Wersland A61H 23/006
 2020/0268594 A1 * 8/2020 Pepe A61H 15/02
 2020/0390644 A1 * 12/2020 Yang A61H 15/00
 2020/0405574 A1 * 12/2020 Wersland A61H 1/008
 2021/0022955 A1 * 1/2021 Wersland A61H 15/0085
 2021/0059898 A1 * 3/2021 Wersland A61H 15/00
 2021/0113427 A1 * 4/2021 Liu A61H 23/0254

OTHER PUBLICATIONS

Yoybuy, "GoPlus Percussive Massage Gun", Aug. 27, 2021. <https://www.yoybuy.com/pd/3h-abHQBu31TEz5QT9uF.html>. Shown on p. 1. (Year: 2021).*

* cited by examiner

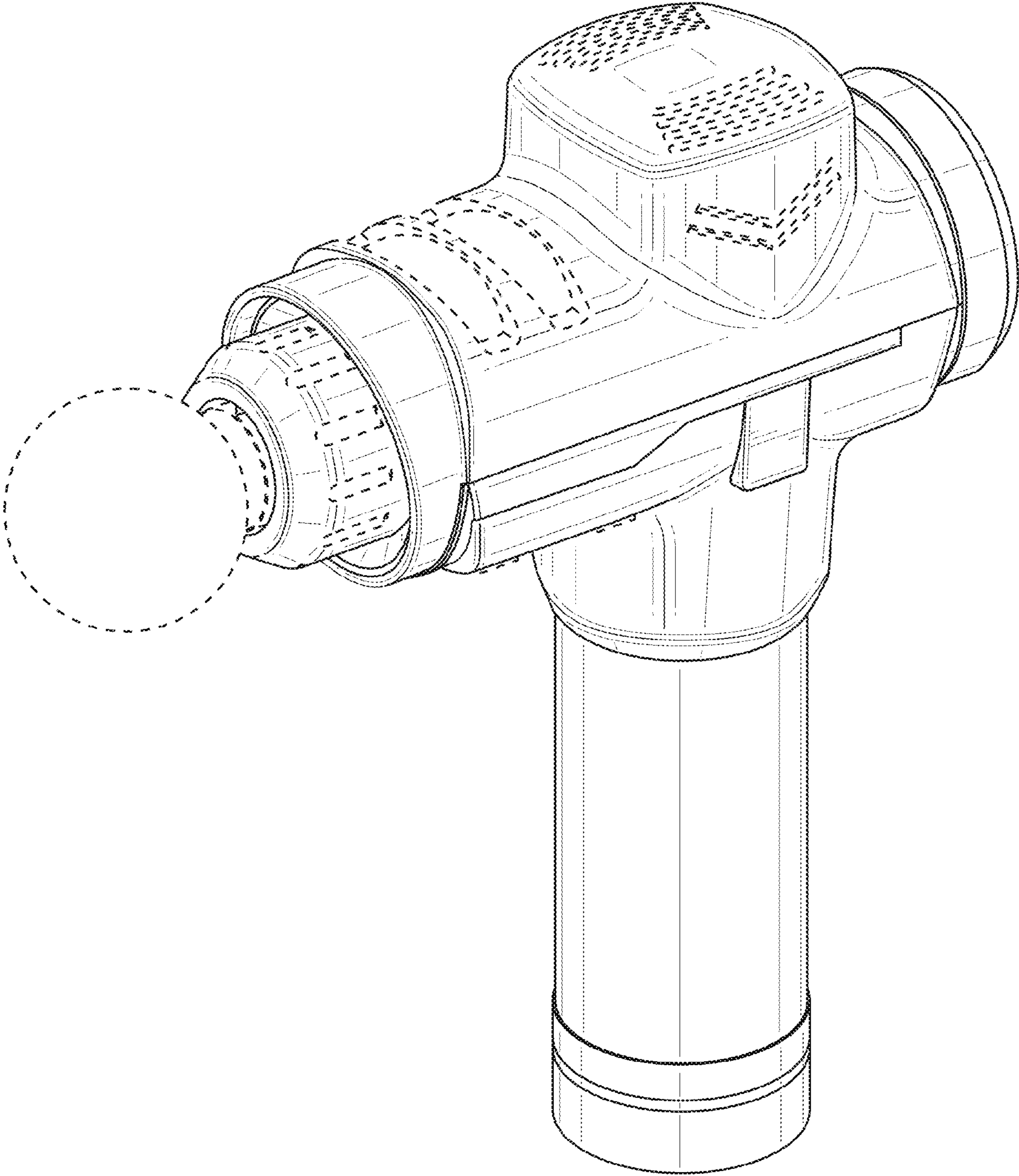


FIG. 1

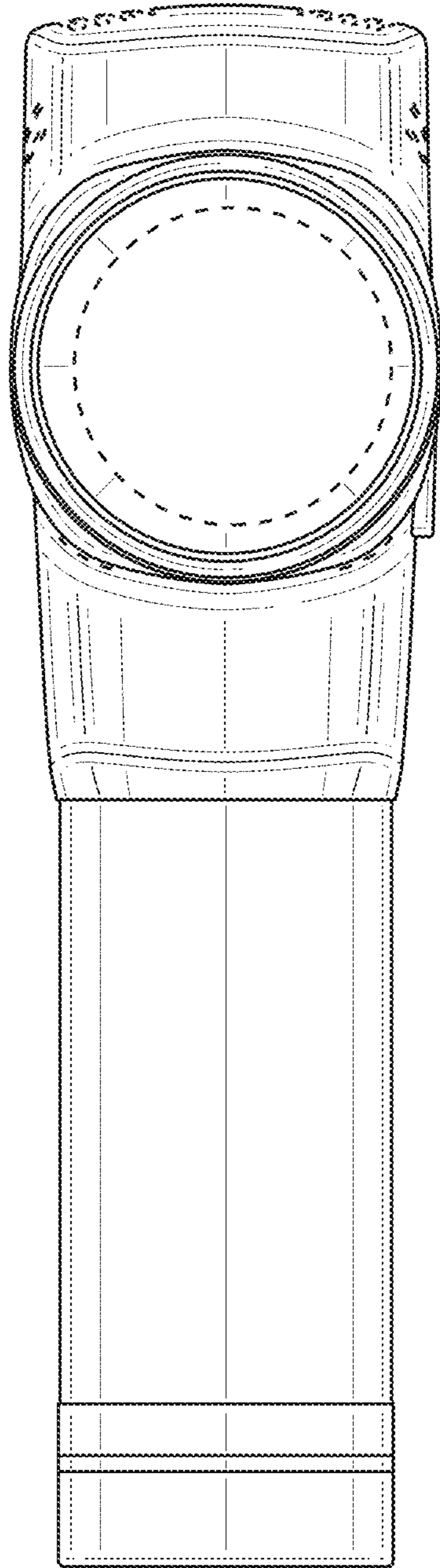


FIG. 2

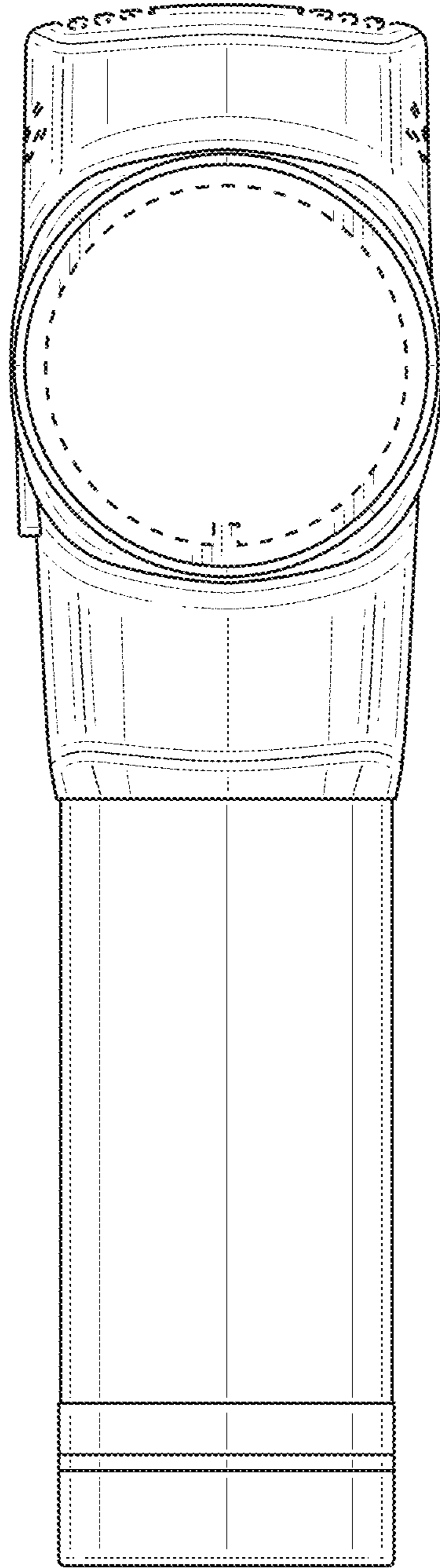


FIG. 3

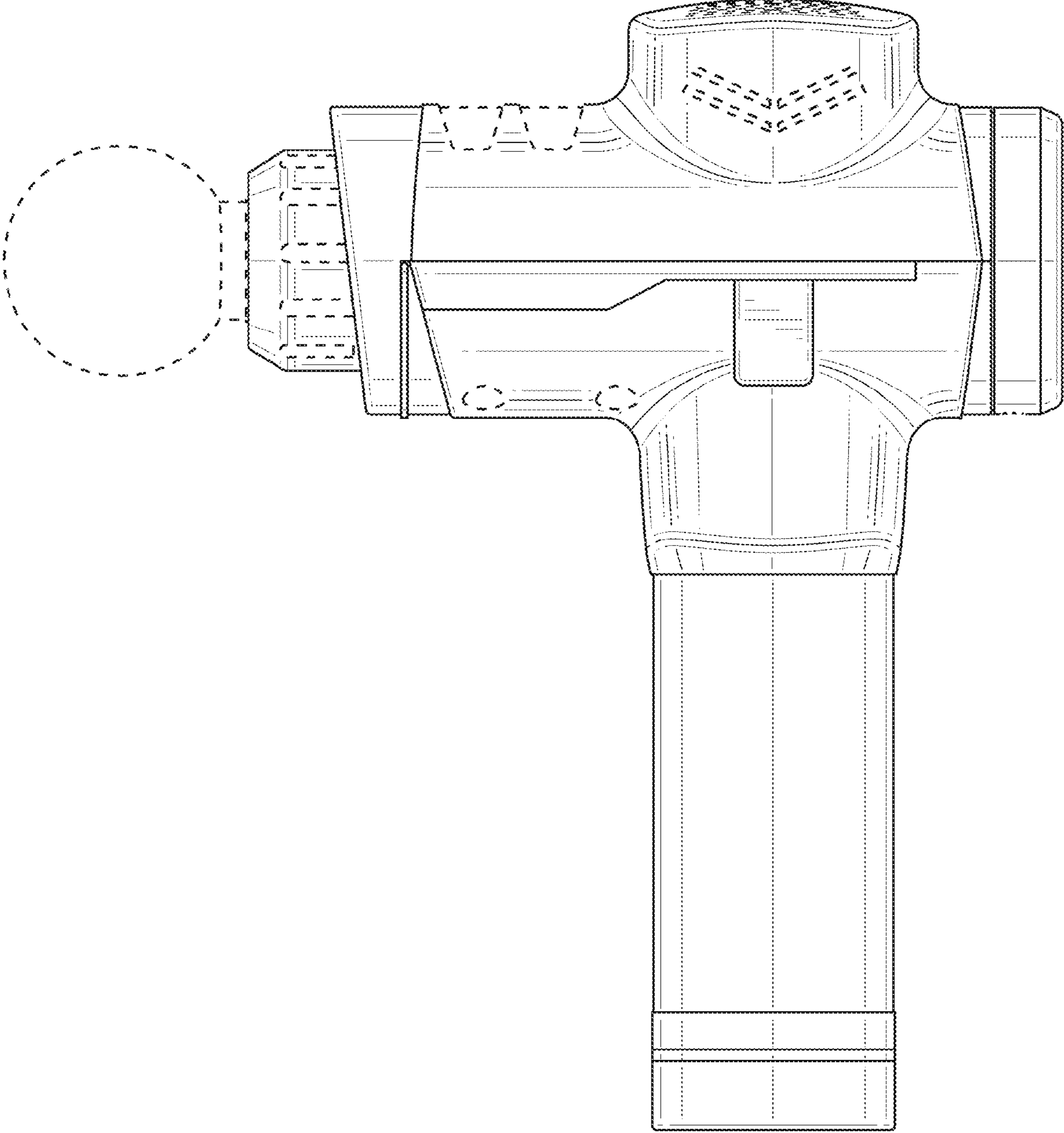


FIG. 4

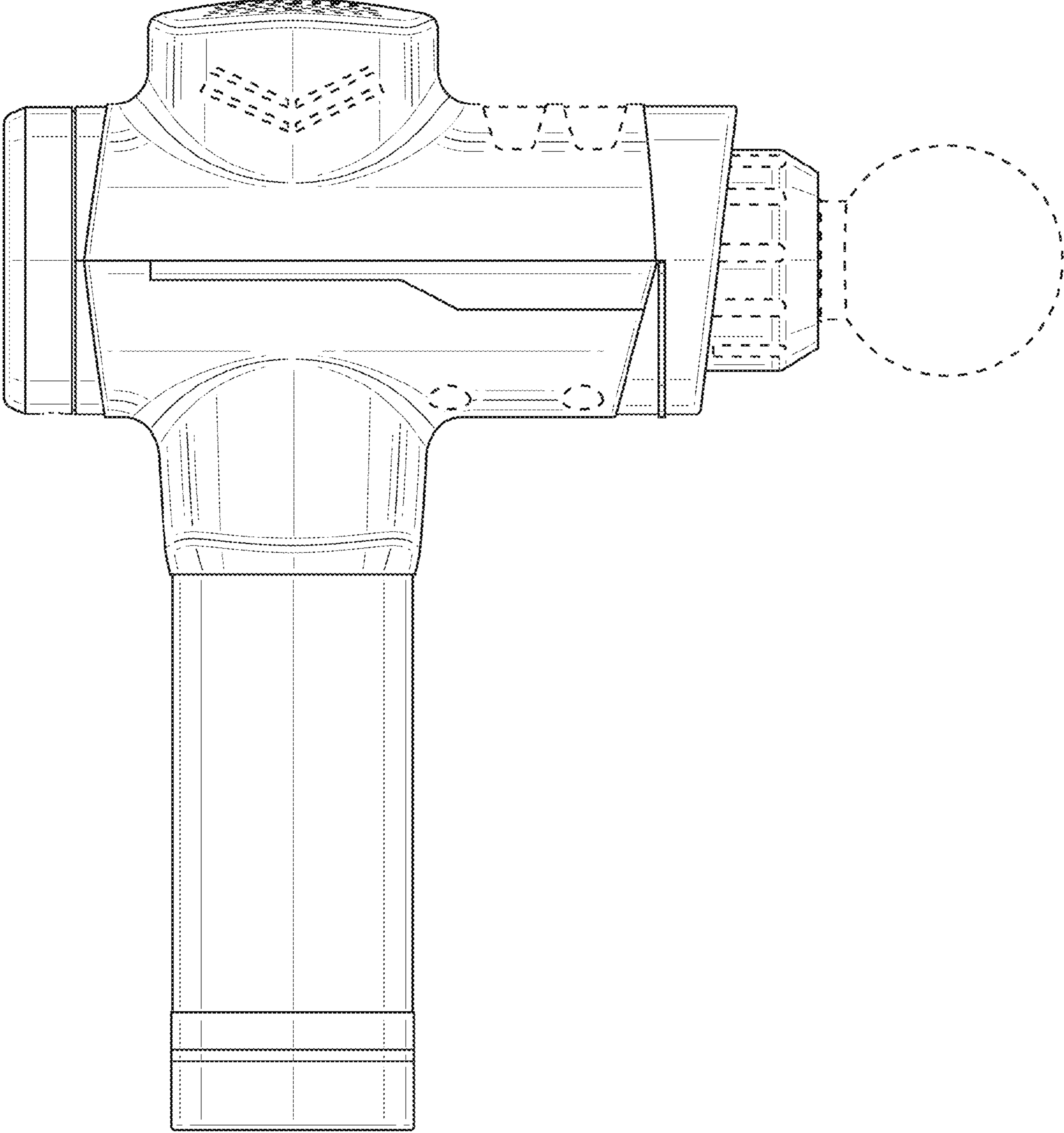


FIG. 5

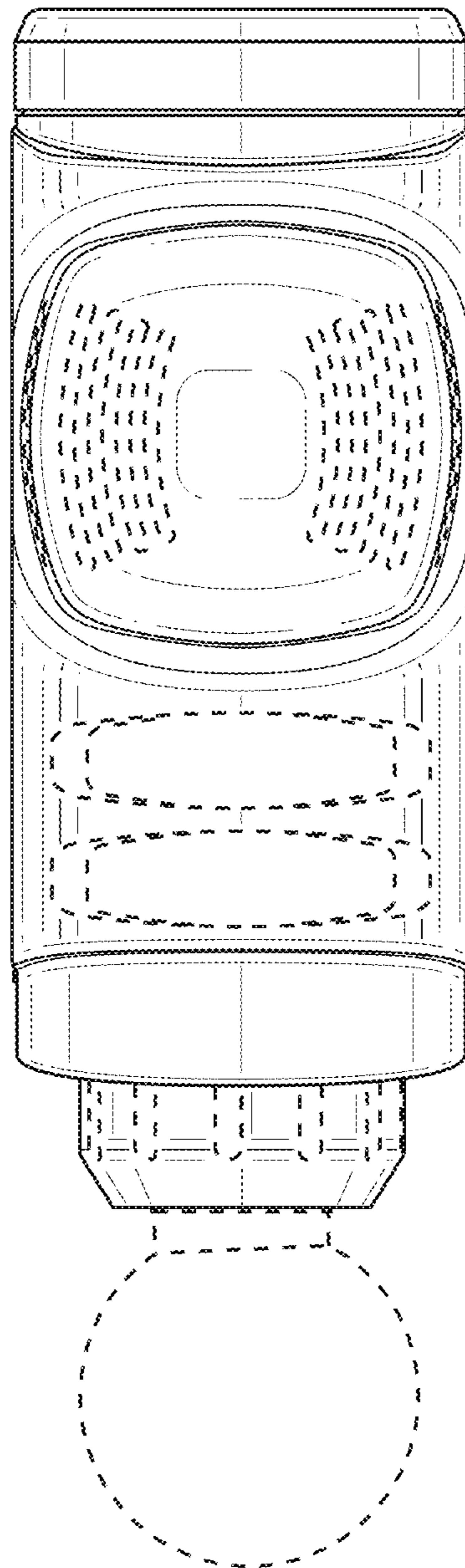


FIG. 6

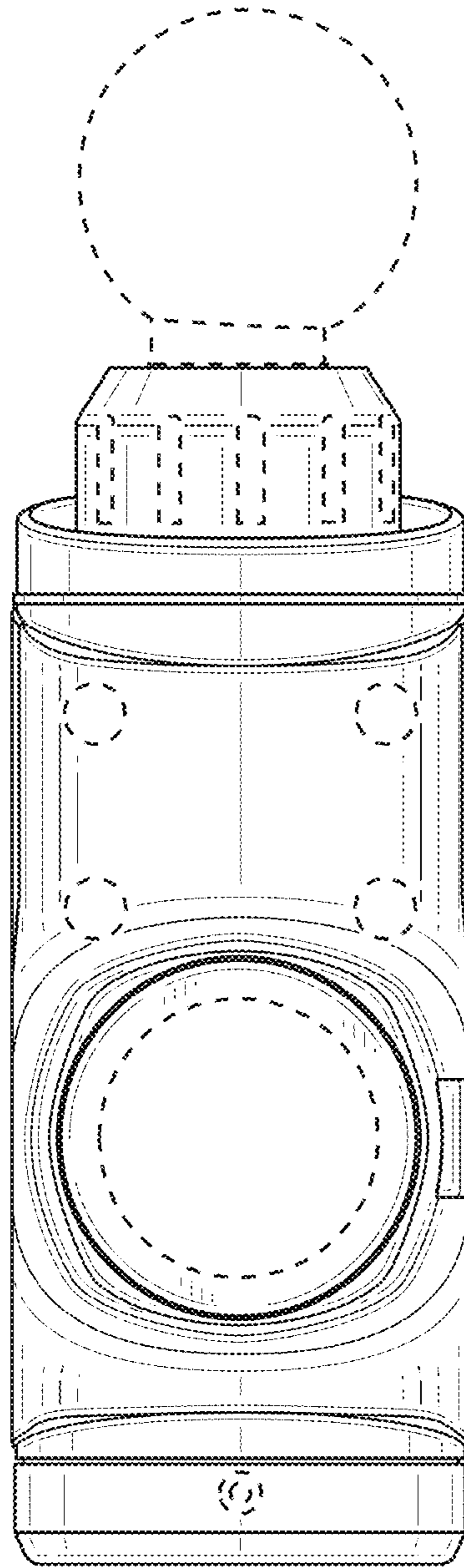


FIG. 7

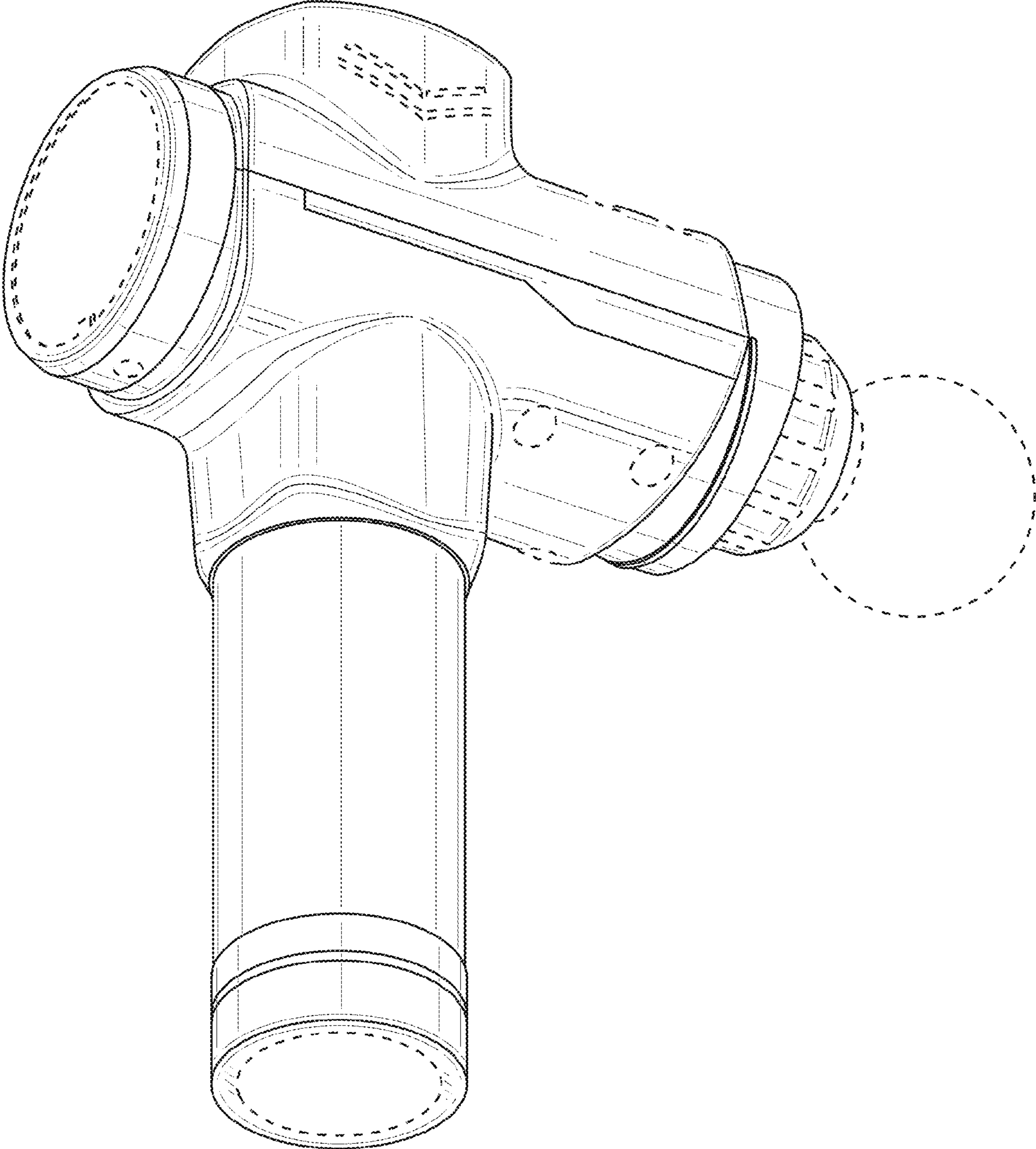


FIG. 8