



US00D949378S

(12) **United States Design Patent** (10) **Patent No.:** **US D949,378 S**
Li (45) **Date of Patent:** **** Apr. 19, 2022**

(54) **MASSAGER HEAD**
(71) Applicant: **Gangxuan Li**, Yongkang (CN)
(72) Inventor: **Gangxuan Li**, Yongkang (CN)
(**) Term: **15 Years**
(21) Appl. No.: **29/713,089**
(22) Filed: **Nov. 13, 2019**
(51) **LOC (13) Cl.** **28-03**
(52) **U.S. Cl.**
USPC **D24/215**
(58) **Field of Classification Search**
USPC D24/200, 209, 211, 212, 213, 214, 215;
D7/393; D8/307, 310, 378; D9/435, 439
CPC . A61H 2201/0119; A61H 7/002; A61H 7/007
See application file for complete search history.

D833,029 S * 11/2018 Guenst D24/215
D837,395 S * 1/2019 Gan D24/214
D845,499 S * 4/2019 Wersland D24/211
D865,987 S * 11/2019 Jacobs D24/214
D872,295 S * 1/2020 Friedman D24/215
D890,353 S * 7/2020 Nazarian D24/200
D890,942 S * 7/2020 Wersland D24/211
D890,943 S * 7/2020 Wersland D24/211
D896,393 S * 9/2020 Wersland D24/211
10,758,452 B2 * 9/2020 Wersland A61H 1/00
D899,926 S * 10/2020 Guduru D9/439
D904,636 S * 12/2020 Delassus D24/214
D907,792 S * 1/2021 Marton D24/215

(Continued)

(56) **References Cited**

U.S. PATENT DOCUMENTS

D186,053 S * 9/1959 Clayton D8/310
D197,889 S * 4/1964 Hass D24/194
D285,116 S * 8/1986 Hoff D24/214
D362,307 S * 9/1995 Cirone D24/211
D368,638 S * 4/1996 Sonnenleiter D8/310
D449,695 S * 10/2001 Ponton D24/200
D495,599 S * 9/2004 Biesecker D7/391
D592,036 S * 5/2009 Domin D8/307
D592,484 S * 5/2009 Ricereto D8/307
D627,898 S * 11/2010 Aulwes D24/214
D628,304 S * 11/2010 Aulwes D24/214
D715,955 S * 10/2014 Hsu A61H 19/00
D24/215
D716,465 S * 10/2014 Kanbar A61H 19/40
D24/215
D729,063 S * 5/2015 Koop D9/439
D735,853 S * 8/2015 Pa D24/129
D818,600 S * 5/2018 Black D24/214
D820,992 S * 6/2018 King D24/200
D823,478 S * 7/2018 Park D24/215
D825,067 S * 8/2018 Ho D24/200

OTHER PUBLICATIONS

Amazon, "Massage Gun", Apr. 4, 2021. https://www.amazon.com/Massage-Massager-Brushless-Shoulder-Massage/dp/B08YD3W1Z4/ref=cm_cr_ar_p_d_product_top?ie=UTF8. Shown on page . (Year: 2021).*

Primary Examiner — Michael A Maharajh

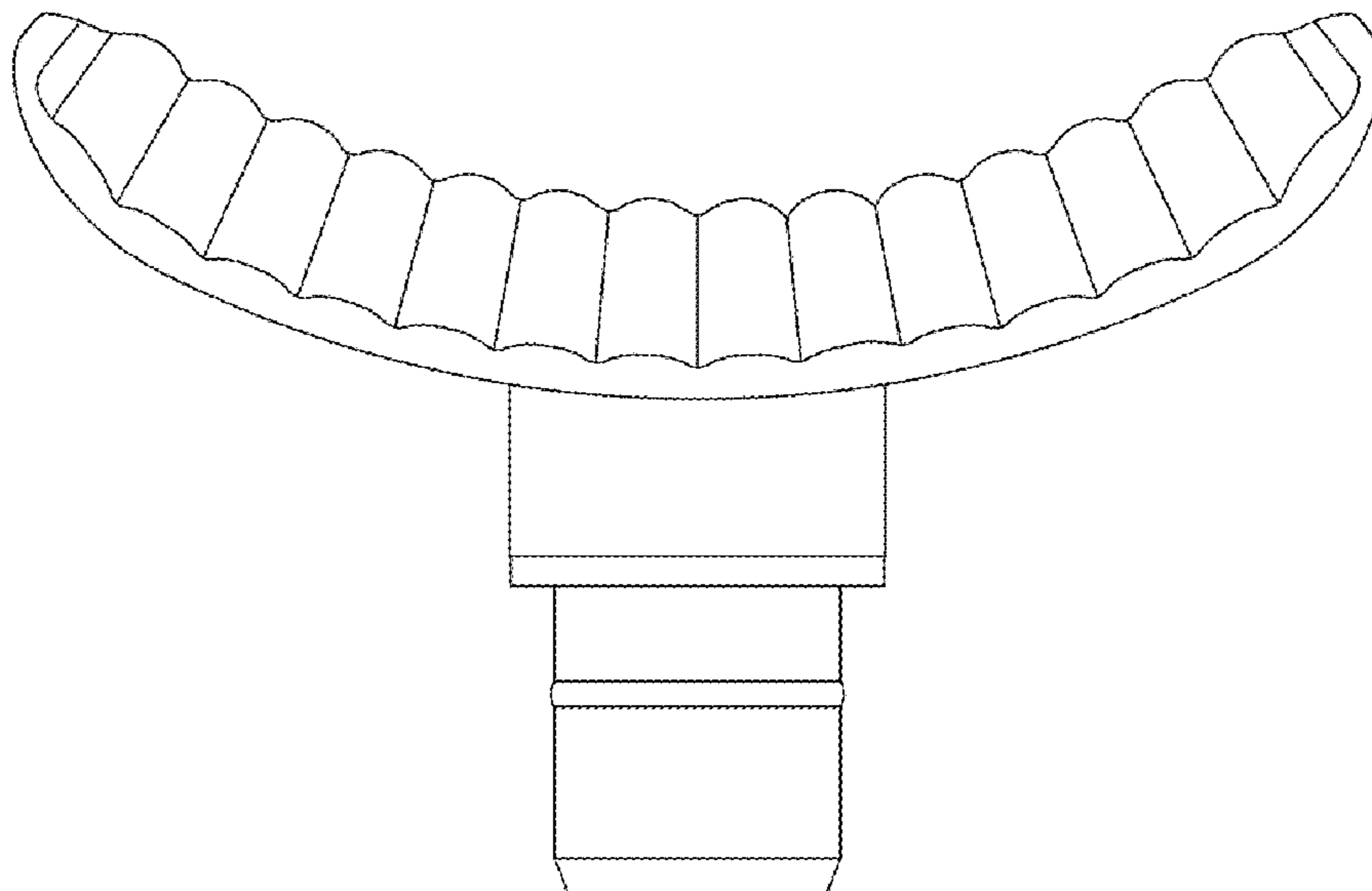
(57) **CLAIM**

The ornamental design for a massager head, as shown and described.

DESCRIPTION

FIG. 1 is a front elevational view of a massager head showing my new design;
FIG. 2 is a rear elevational view thereof;
FIG. 3 is a left side view thereof;
FIG. 4 is a right side view thereof;
FIG. 5 is a top plan view thereof;
FIG. 6 is a bottom plan view thereof; and,
FIG. 7 is a perspective view thereof.
The broken lines shown in the figures are for the purpose of illustrating portions of the massager head which form no part of the claimed design.

1 Claim, 4 Drawing Sheets



(56)

References Cited

U.S. PATENT DOCUMENTS

D908,235 S * 1/2021 Marton D24/215
D914,477 S * 3/2021 Watson D8/310
D917,714 S * 4/2021 Chen D24/215
2019/0015294 A1* 1/2019 Nazarian A61H 15/0085
2019/0017528 A1* 1/2019 Wersland A61H 23/00
2019/0350793 A1* 11/2019 Wersland A61H 23/006
2020/0352821 A1* 11/2020 Wersland A61H 23/006

* cited by examiner

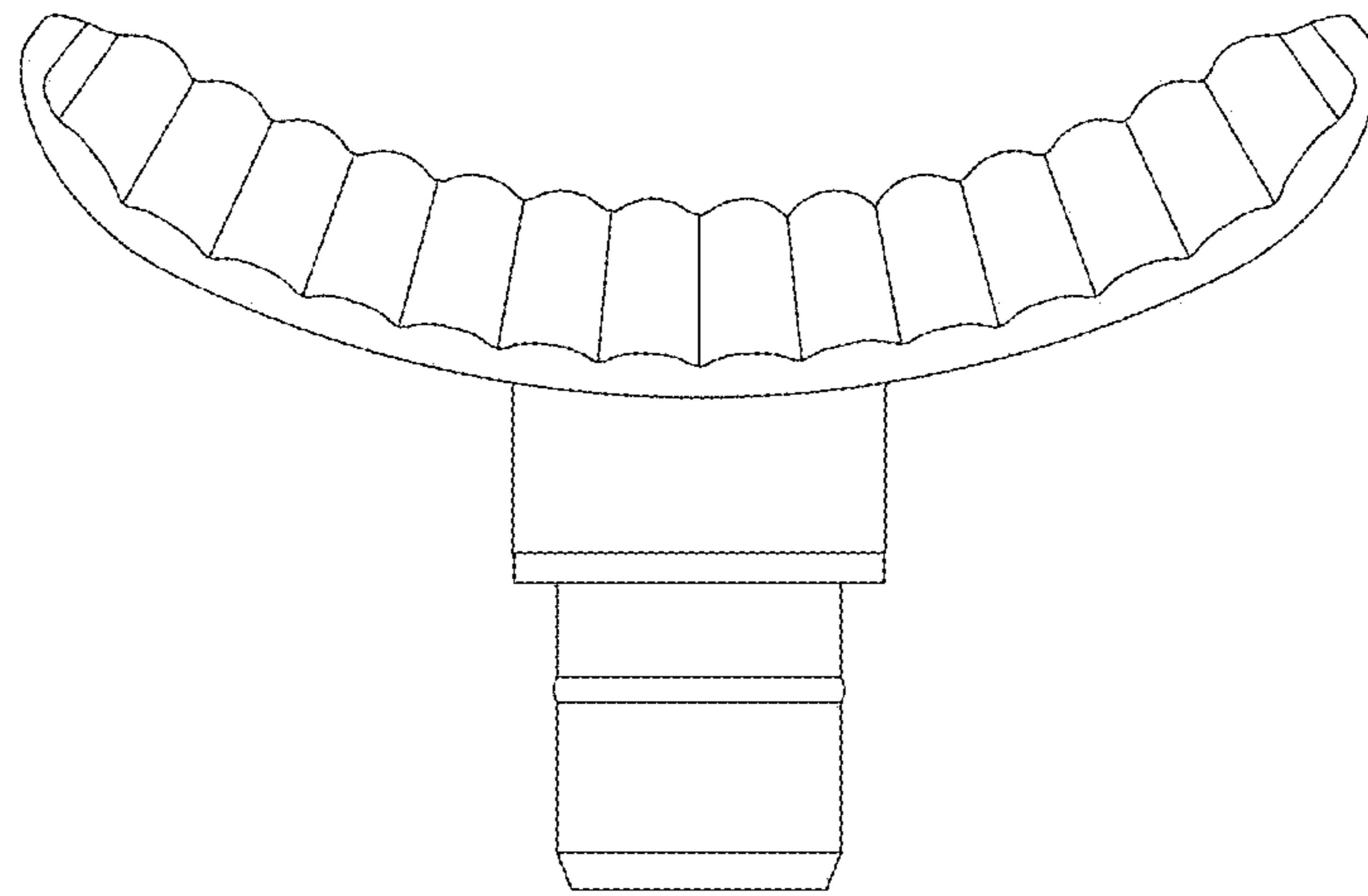


FIG. 1

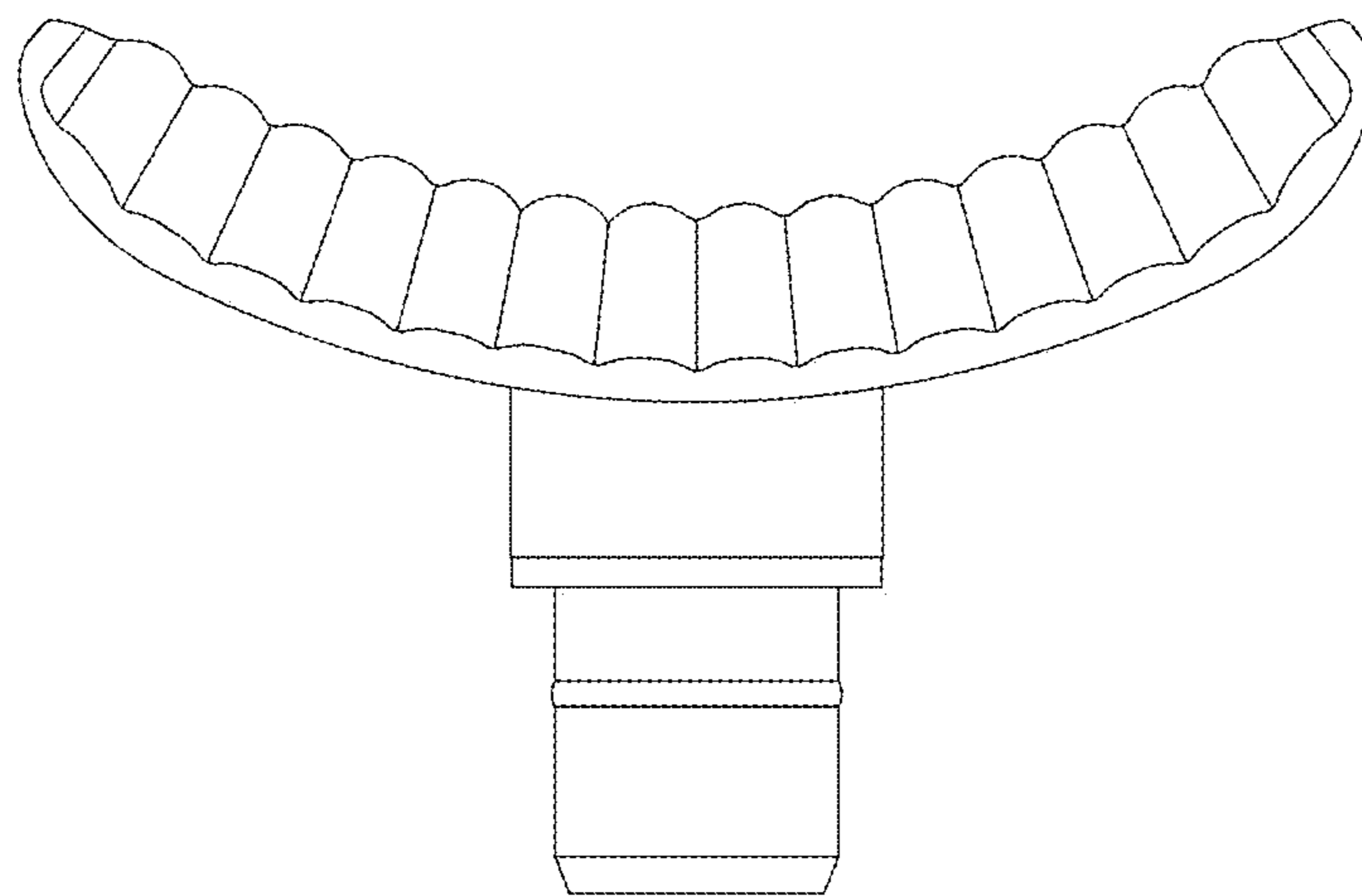


FIG. 2

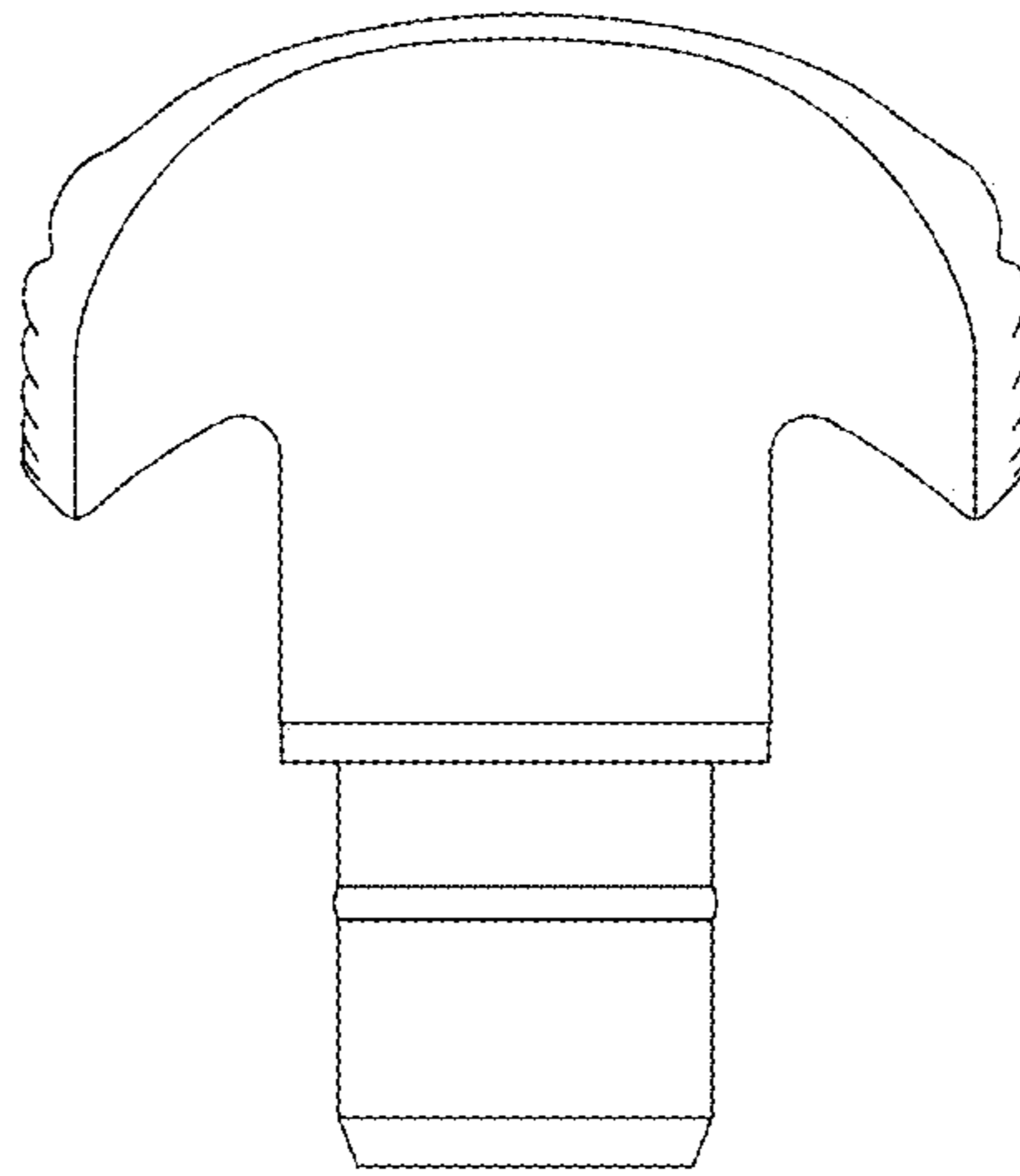


FIG. 3

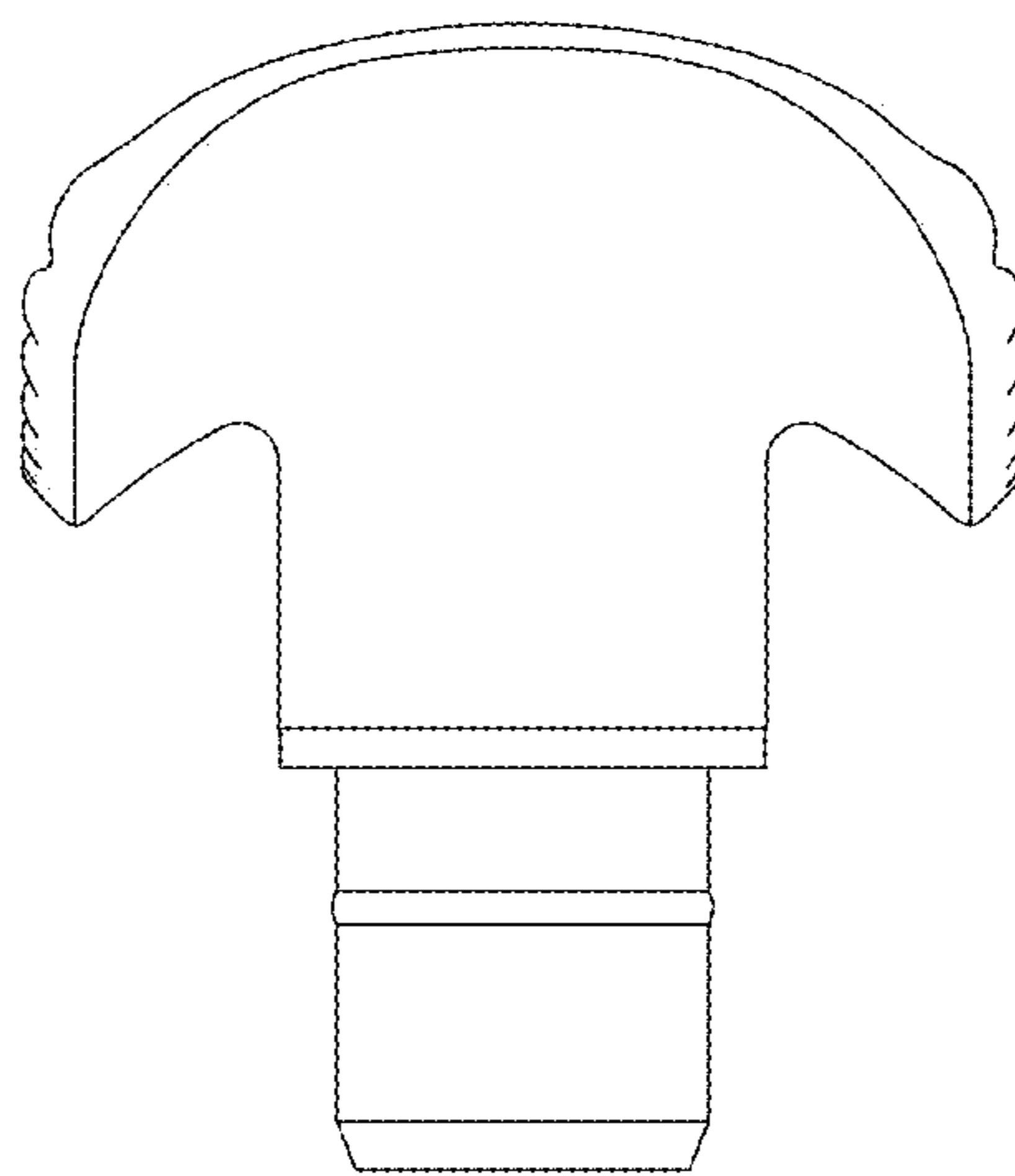


FIG. 4

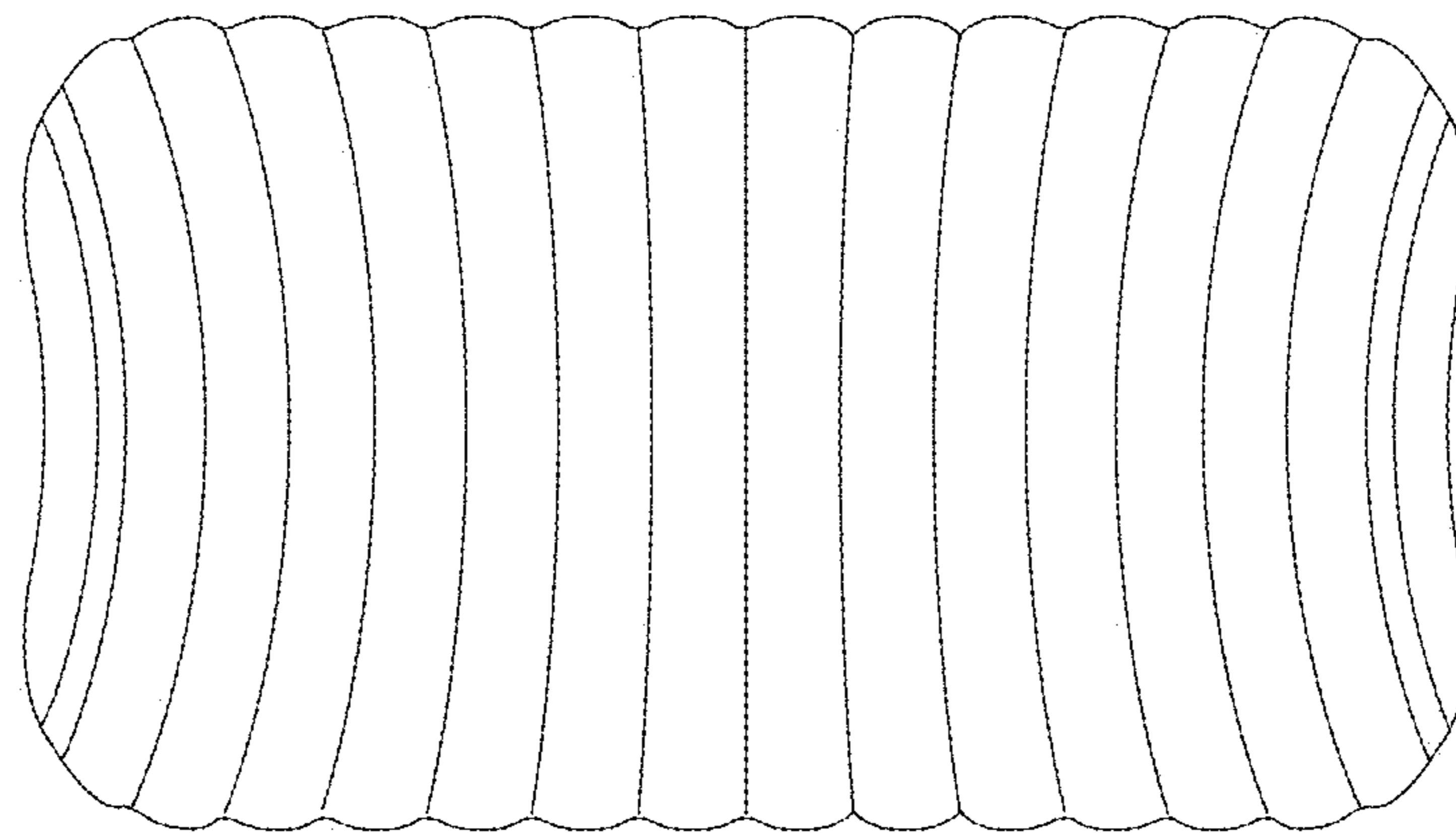


FIG. 5

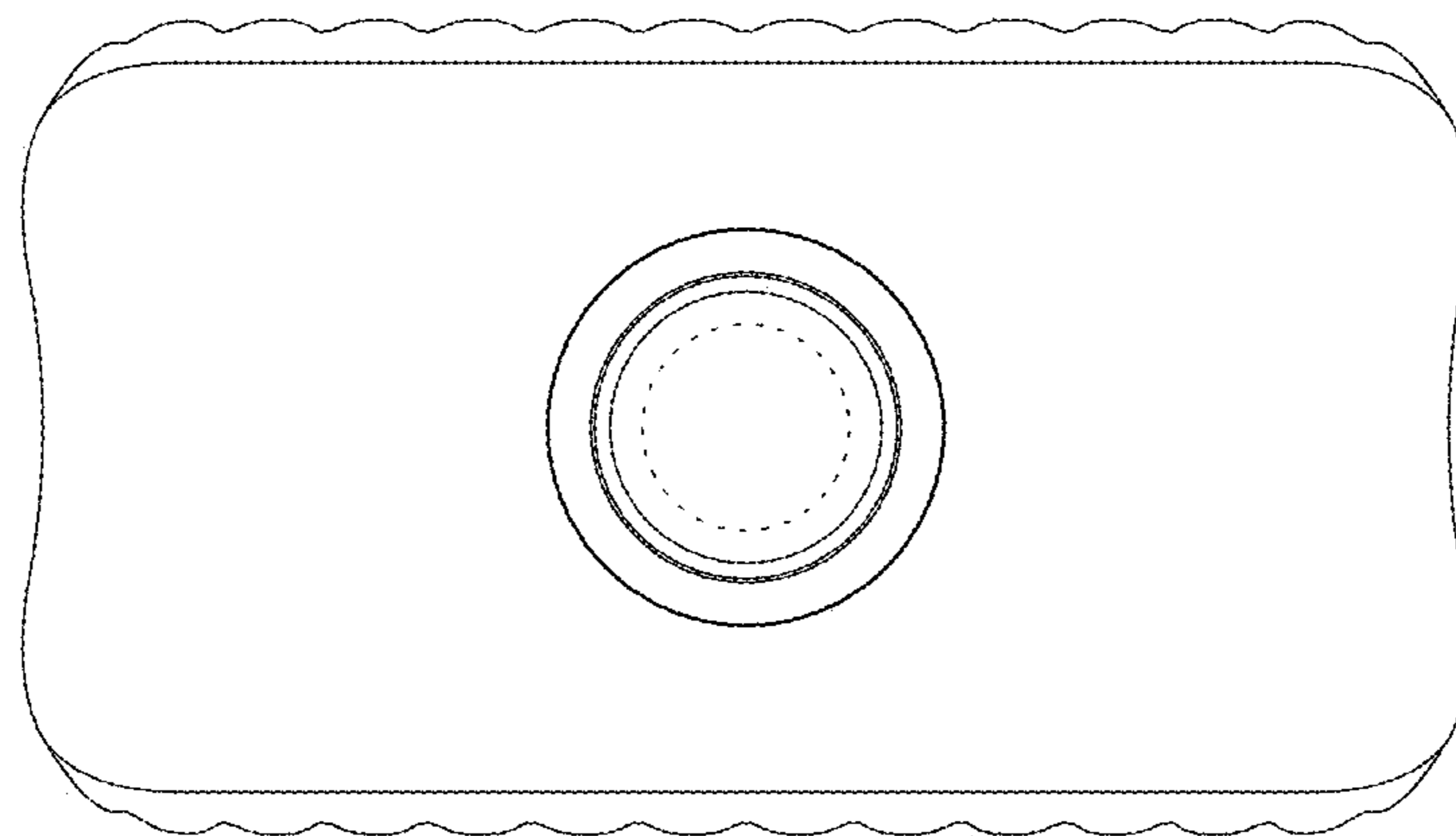


FIG. 6

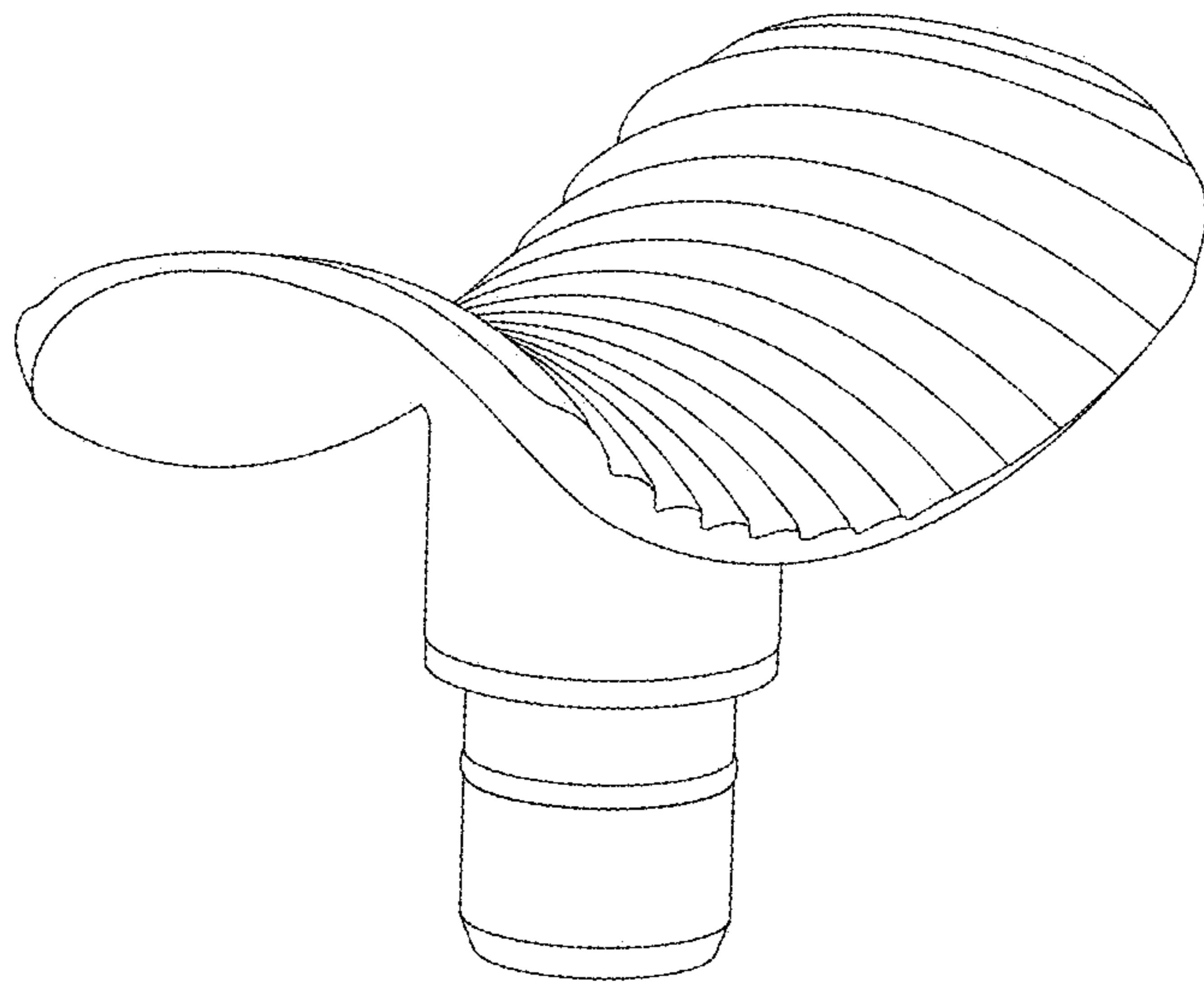


FIG. 7