



US00D949375S

(12) **United States Design Patent** (10) **Patent No.:** **US D949,375 S**
Liu (45) **Date of Patent:** **** Apr. 19, 2022**

(54) **MASSAGER**
(71) Applicant: **Ye Liu, JiAn (CN)**
(72) Inventor: **Ye Liu, JiAn (CN)**
(**) Term: **15 Years**
(21) Appl. No.: **29/684,091**
(22) Filed: **Mar. 19, 2019**
(51) **LOC (13) Cl.** **28-03**
(52) **U.S. Cl.**
USPC **D24/215**
(58) **Field of Classification Search**
USPC D21/662, 673, 686, 691, 694, 826;
D25/62, 66, 68, 119, 126, 136; D6/329;
D8/14, 323, 349, 354, 360; D24/107,
D24/128, 215; D15/10, 66, 122, 141,
D15/147, 199
CPC .. A63B 1/00; A63B 2023/003; A63B 23/1218
See application file for complete search history.

D541,356 S * 4/2007 Ayton D21/686
D567,312 S * 4/2008 Tsai D21/662
D598,965 S * 8/2009 Augustine D21/673
D615,138 S * 5/2010 Briscoe D21/686
D619,181 S * 7/2010 Oller D21/662
8,246,524 B2 * 8/2012 Castillo A63B 23/0227
482/92
D686,287 S * 7/2013 Boatwright D21/691
D745,939 S * 12/2015 Kaye D21/686
D755,909 S * 5/2016 James D21/686
9,415,287 B2 * 8/2016 Greiwe A61H 1/005
D824,036 S * 7/2018 Hu D24/200
10,675,554 B2 * 6/2020 Bowman A63K 3/043
D911,543 S * 2/2021 Zhang D24/215
D919,108 S * 5/2021 Zhang D24/215

(Continued)

OTHER PUBLICATIONS

Amazon, "YNot Sex Machine", Sep. 29, 2020. https://www.amazon.com/Y-NOT-Automatic-Thrusting-Realistic-Adjustable/dp/B087R1PSJ2/ref=cm_cr_arp_d_product_top?ie=UTF8. Shown on p. 1. (Year: 2020).*

Primary Examiner — Michael A Maharajh

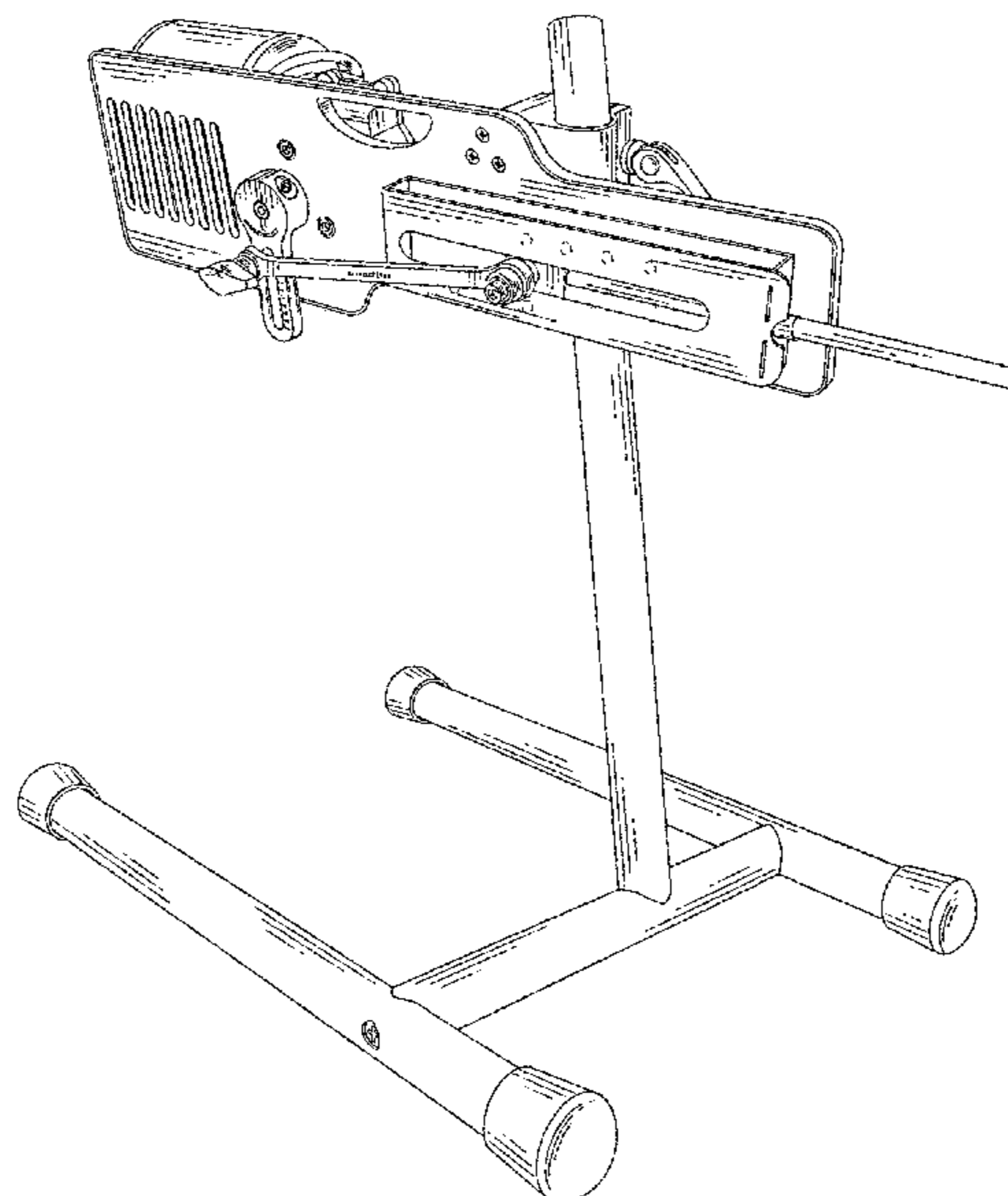
(56) **References Cited**
U.S. PATENT DOCUMENTS
3,117,760 A * 1/1964 Dresbach A63B 1/00
248/188.5
4,258,913 A * 3/1981 Brentham A63B 21/0083
482/112
4,570,925 A * 2/1986 Kock A63B 23/16
482/114
D320,823 S * 10/1991 Tanner D21/686
D368,288 S * 3/1996 Kasbohm D21/686
5,545,111 A * 8/1996 Wang A63B 22/001
482/147
D395,933 S * 7/1998 Lin D21/662
D398,669 S * 9/1998 Anderson D21/662
5,830,107 A * 11/1998 Briigliodoro A63B 23/03575
482/1
D401,985 S * 12/1998 Wheeler D21/686
D408,476 S * 4/1999 Howachyn D21/662
D515,640 S * 2/2006 Carter D21/673

(57) **CLAIM**
The ornamental design for a massager, as shown and described.

DESCRIPTION

FIG. 1 is a perspective view of a massager showing my new design;
FIG. 2 is a front elevation view thereof;
FIG. 3 is a rear elevation view thereof;
FIG. 4 is a left side elevation view thereof;
FIG. 5 is a right side elevation view thereof;
FIG. 6 is a top plan view thereof; and,
FIG. 7 is a bottom plan view thereof.
The broken lines show portions of the article which form no part of the claimed design.

1 Claim, 7 Drawing Sheets



(56)

References Cited

U.S. PATENT DOCUMENTS

2005/0020412 A1* 1/2005 Chen A63B 22/0064
482/80
2005/0049115 A1* 3/2005 Gomez A63B 23/1218
482/36
2005/0209054 A1* 9/2005 Thomas Lebert A63B 1/00
482/41
2007/0232464 A1* 10/2007 Chu A63B 21/00181
482/96
2007/0259760 A1* 11/2007 Perez A63B 23/0211
482/140
2009/0176621 A1* 7/2009 Kopp A63B 1/00
482/25
2012/0040812 A1* 2/2012 Liao Lai A63B 23/0238
482/142
2013/0345026 A1* 12/2013 Eberflus A63B 1/00
482/38
2019/0105527 A1* 4/2019 Hallmark A63B 23/1218
2020/0147434 A1* 5/2020 Garcia, Jr. A63B 23/1227
2020/0222739 A1* 7/2020 George A63B 1/00

* cited by examiner

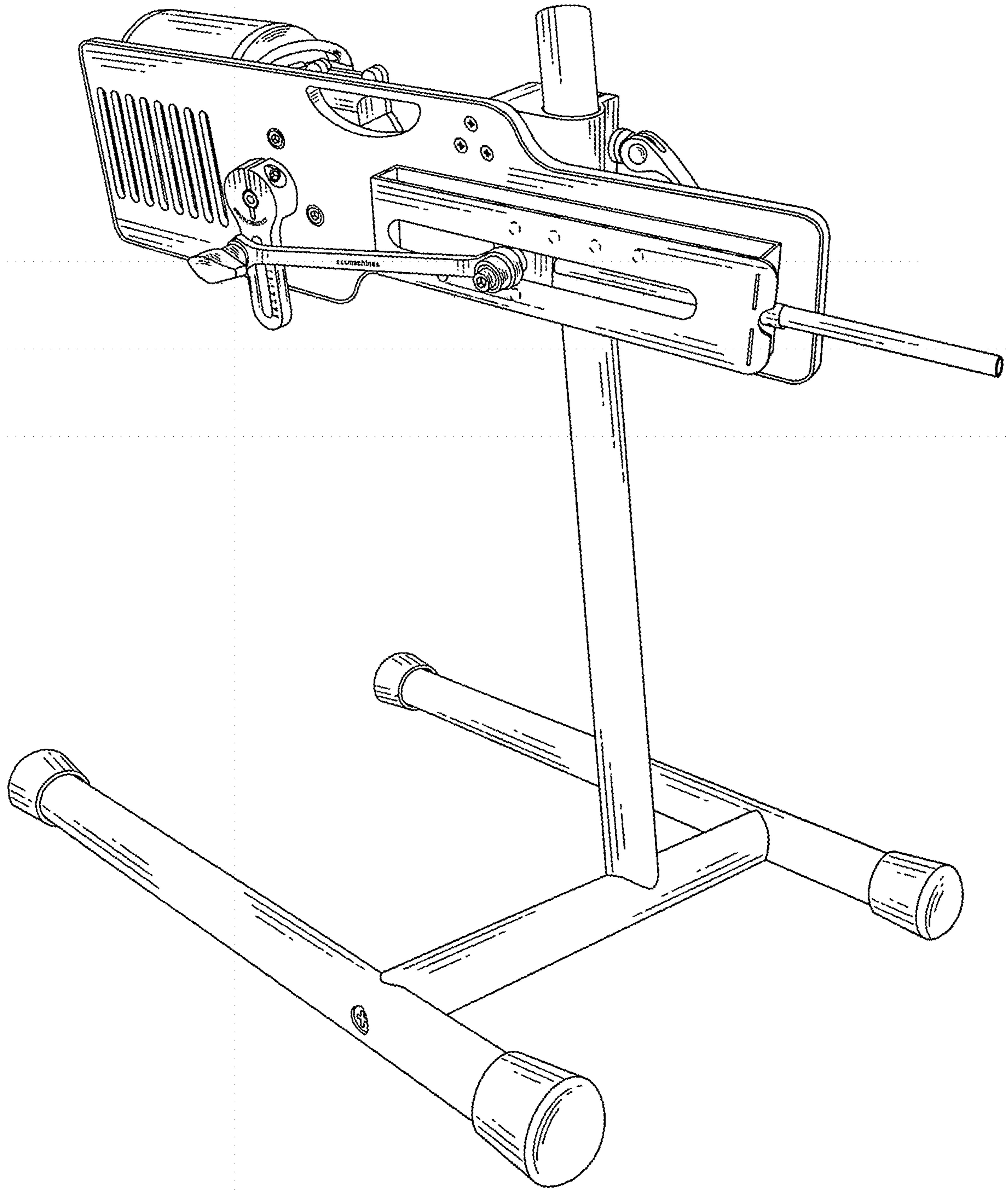


FIG. 1

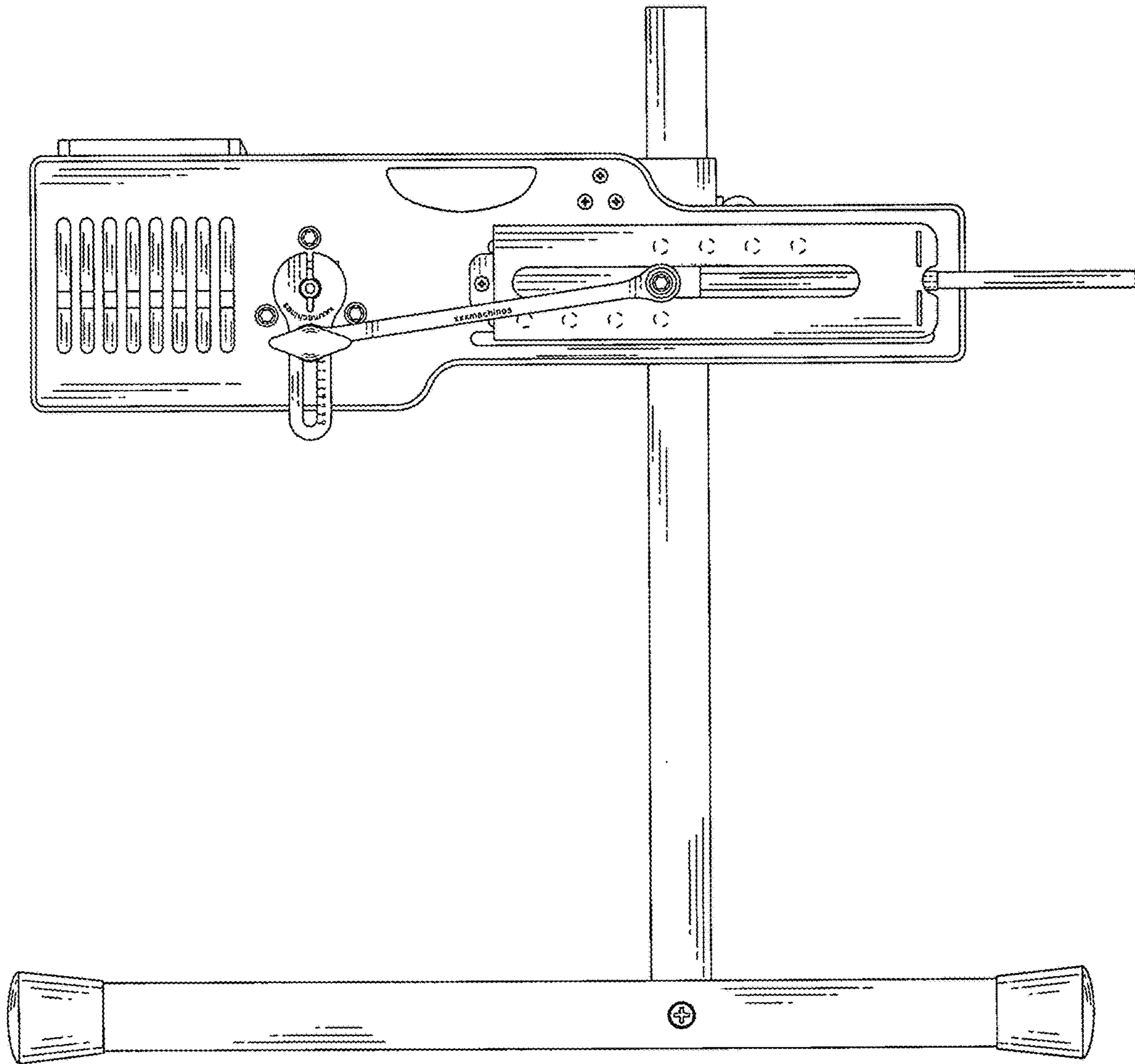


FIG. 2

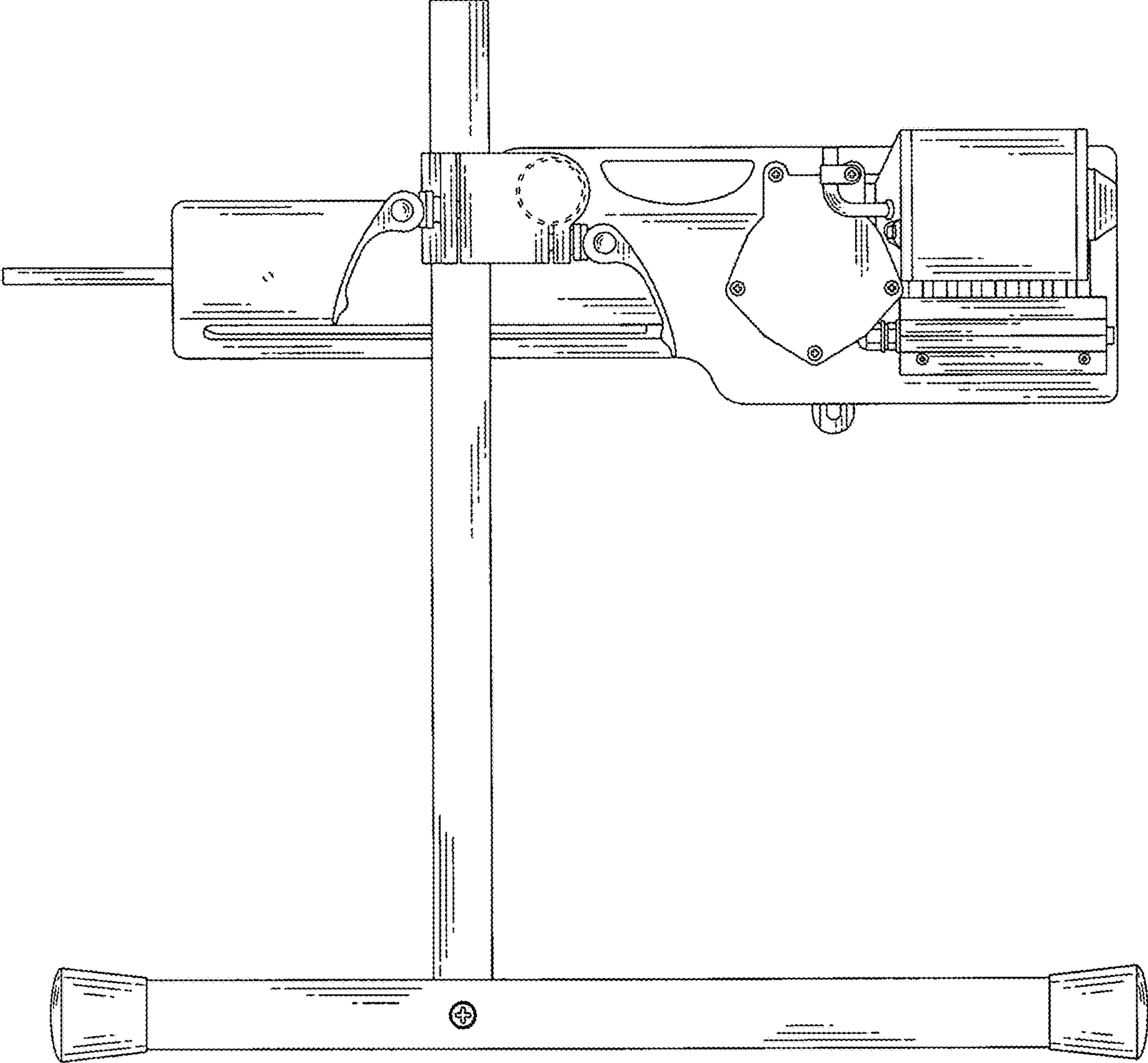


FIG. 3

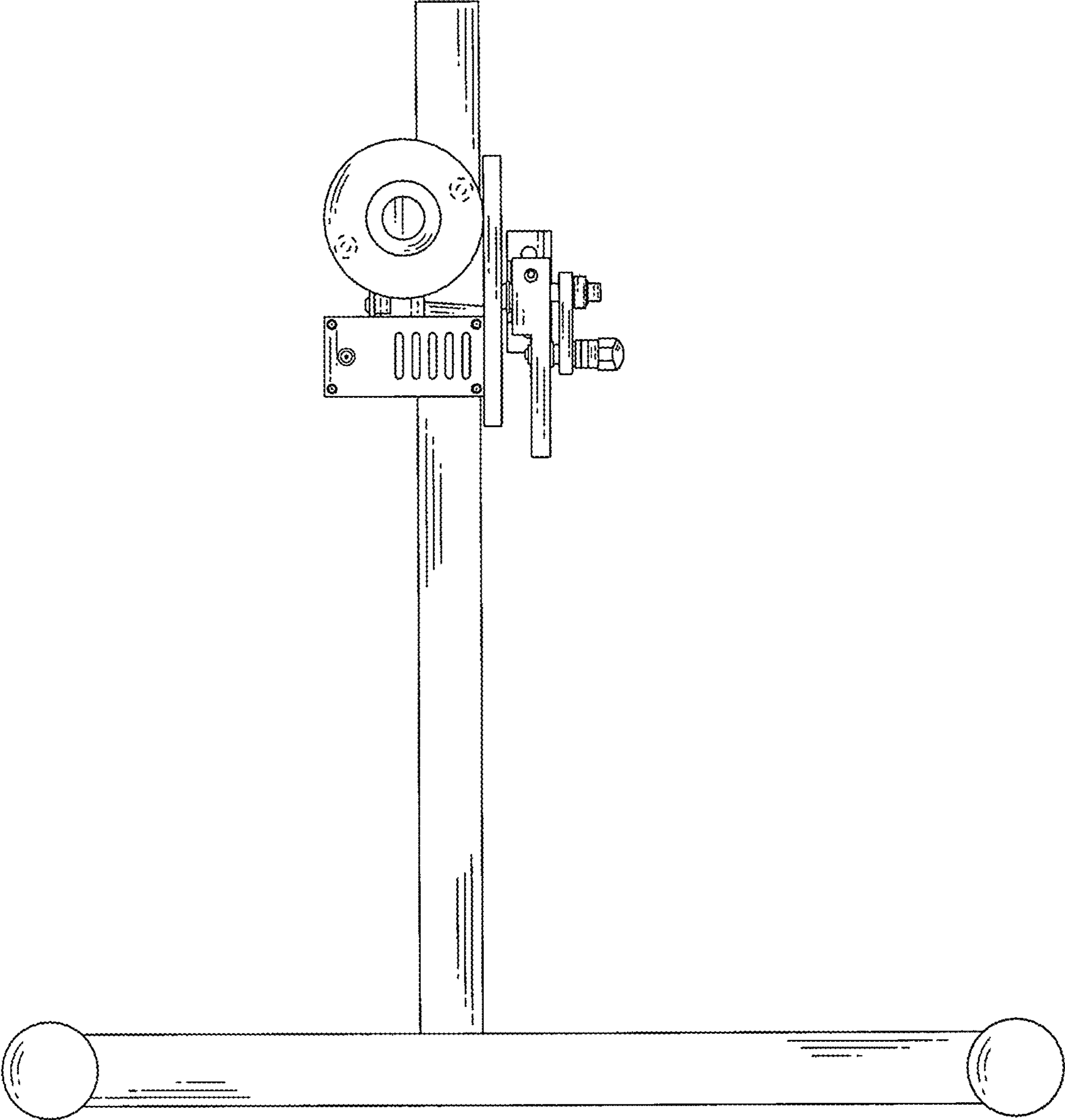


FIG. 4

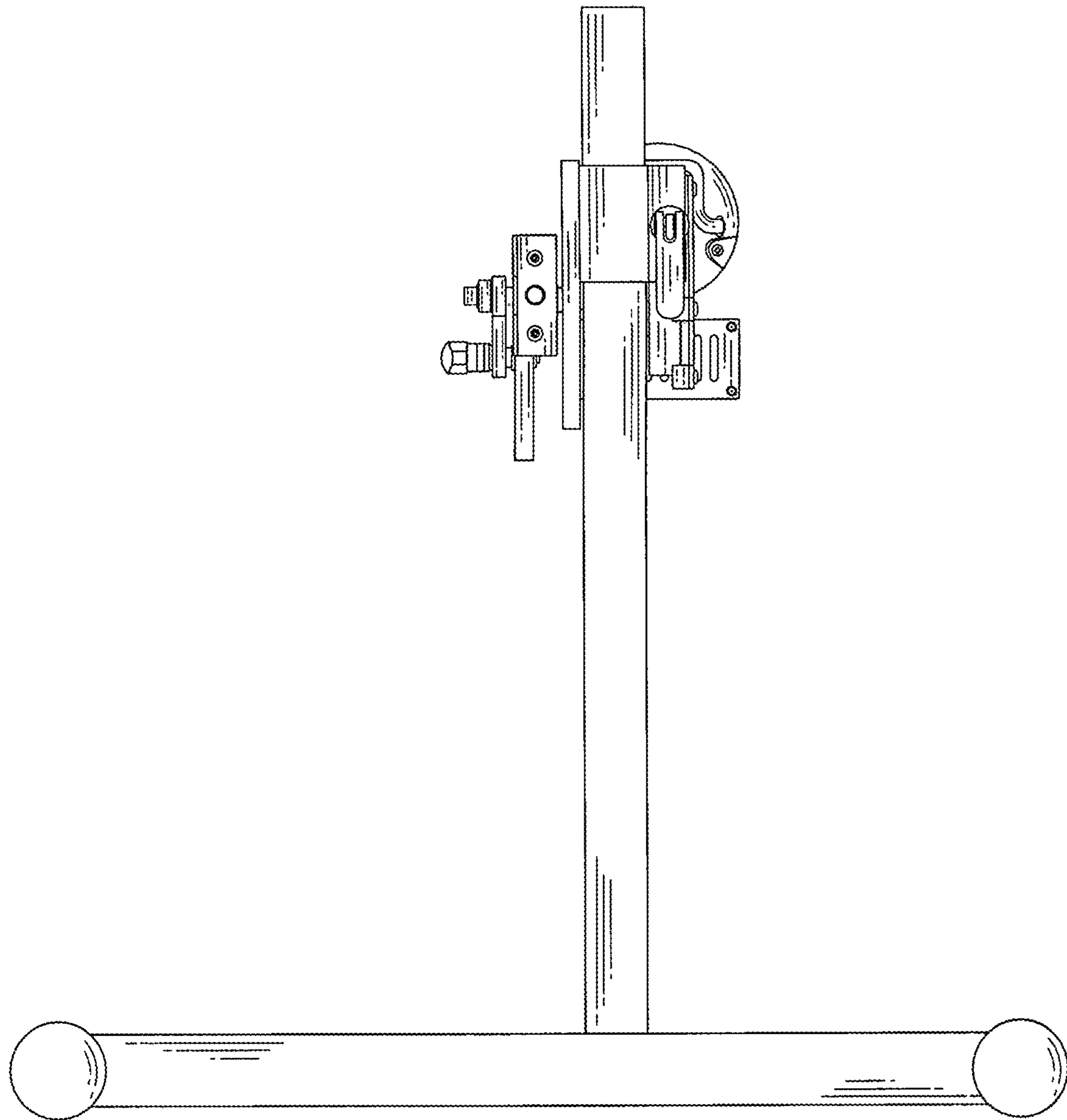


FIG. 5

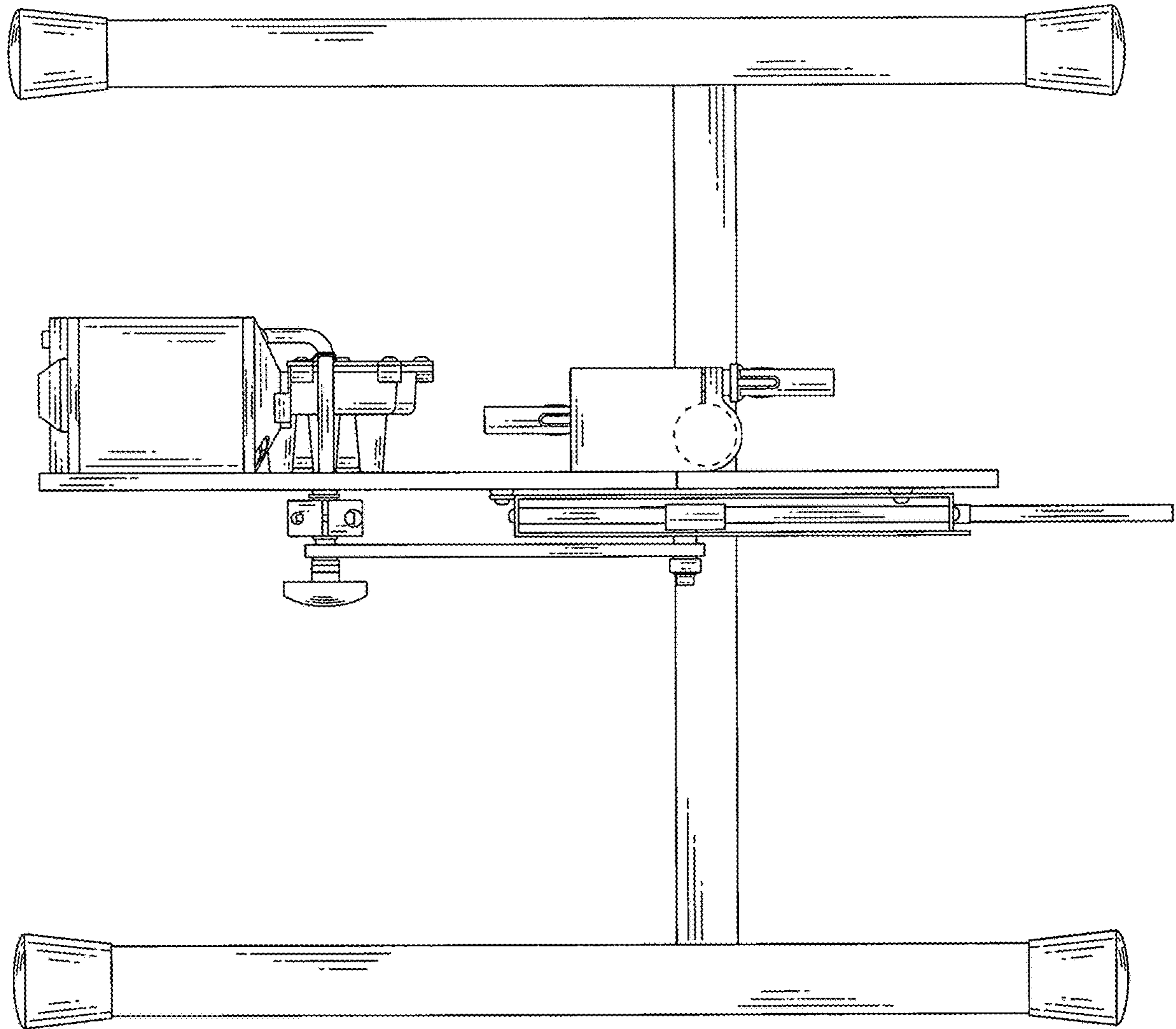


FIG. 6

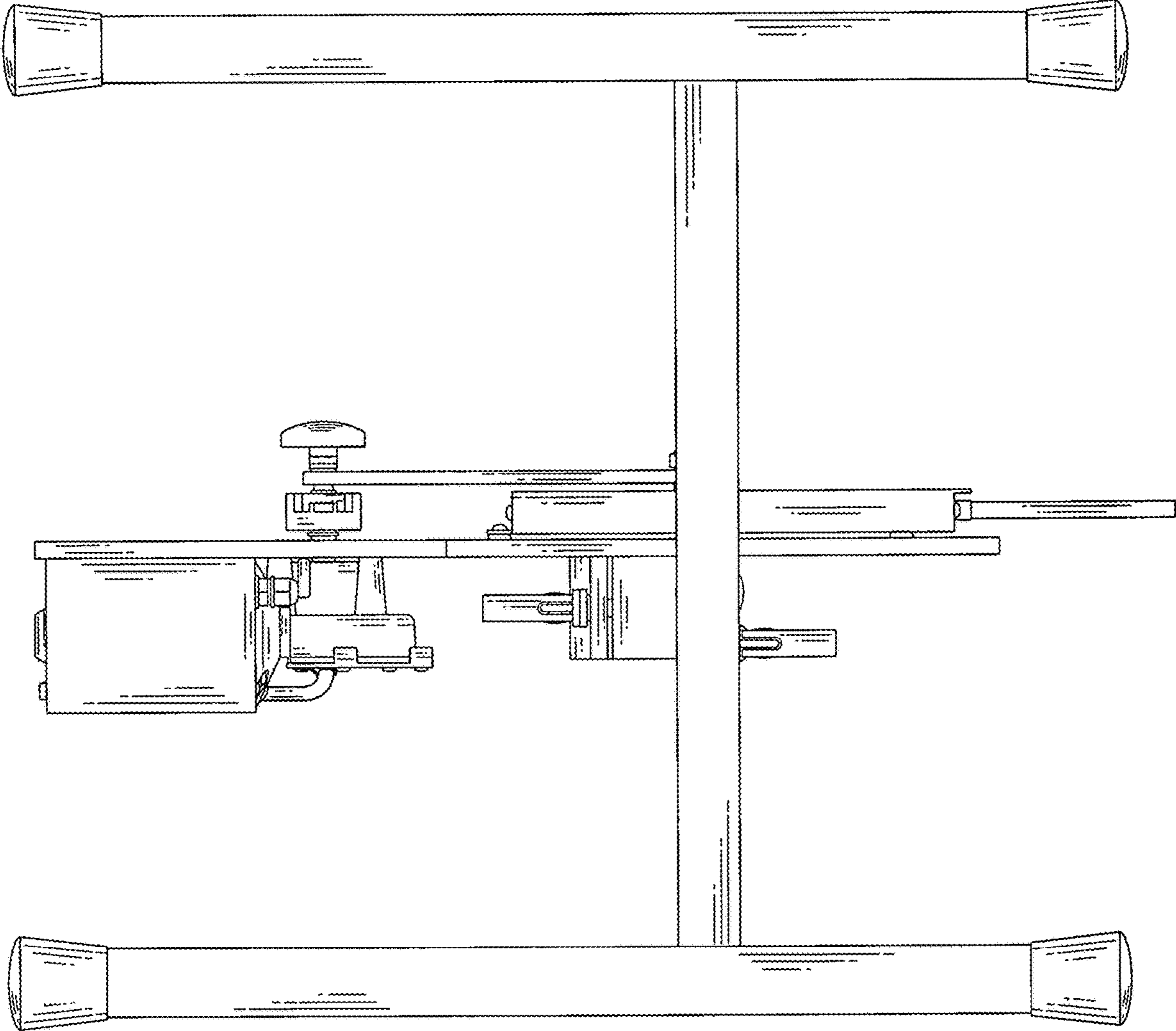


FIG. 7