

US00D949363S

(12) **United States Design Patent**  
**Wersland et al.**

(10) **Patent No.:** **US D949,363 S**  
(45) **Date of Patent:** **\*\* Apr. 19, 2022**

(54) **MESSAGE ROLLER**

(71) Applicant: **Theragun, Inc.**, Beverly Hills, CA (US)

(72) Inventors: **Jason Wersland**, Manhattan Beach, CA (US); **Benjamin Nazarian**, Beverly Hills, CA (US); **Jaime Sanchez Solana**, Los Angeles, CA (US); **Eduardo Merino**, Beverly Hills, CA (US)

(73) Assignee: **THERAGUN, INC.**, Beverly Hills, CA (US)

(\*\*) Term: **15 Years**

(21) Appl. No.: **29/726,245**

(22) Filed: **Mar. 2, 2020**

(51) **LOC (13) Cl.** ..... **28-03**

(52) **U.S. Cl.**  
USPC ..... **D24/211**

(58) **Field of Classification Search**  
USPC ..... D24/200, 211, 212, 213, 214, 215;  
D30/160; D12/178  
CPC ..... A61H 7/001; A61H 7/007; A61H 7/00;  
A61H 15/0092

See application file for complete search history.

(56) **References Cited**

U.S. PATENT DOCUMENTS

2,546,095	A	*	3/1951	Gustlin	.....	A61H 15/02
						601/121
D243,557	S	*	3/1977	Kientz	.....	D24/212
D253,373	S	*	11/1979	Celeste	.....	601/121
D274,649	S	*	7/1984	Shiu	.....	D24/212
D279,406	S	*	6/1985	Shiu	.....	D24/211
D299,972	S	*	2/1989	Moore	.....	401/208
D337,827	S	*	7/1993	Seng	.....	D24/211
D361,132	S	*	8/1995	Lee	.....	D24/200
D375,578	S	*	11/1996	Hibri	.....	D28/37
D660,450	S	*	5/2012	Johnson	.....	D24/215

D670,817	S	*	11/2012	Narevsky	.....	D24/211
D689,155	S	*	9/2013	Jahns	.....	D21/692
D693,934	S	*	11/2013	Lin	.....	D24/215

(Continued)

OTHER PUBLICATIONS

Amazon, "Theragun Wave Roller", Sep. 12, 2020. [https://www.amazon.com/Theagun-Wave-Roller-Vibrating-Bluetooth/dp/B08HW7GXSQ/ref=cm\\_cr\\_arp\\_d\\_product\\_top?ie=UTF8](https://www.amazon.com/Theagun-Wave-Roller-Vibrating-Bluetooth/dp/B08HW7GXSQ/ref=cm_cr_arp_d_product_top?ie=UTF8). Shown on p. 1. (Year: 2020).\*

(Continued)

*Primary Examiner* — Michael A Maharajh

(74) *Attorney, Agent, or Firm* — Jeffer Mangels Butler & Mitchell LLP; Brennan C. Swain, Esq.

(57) **CLAIM**

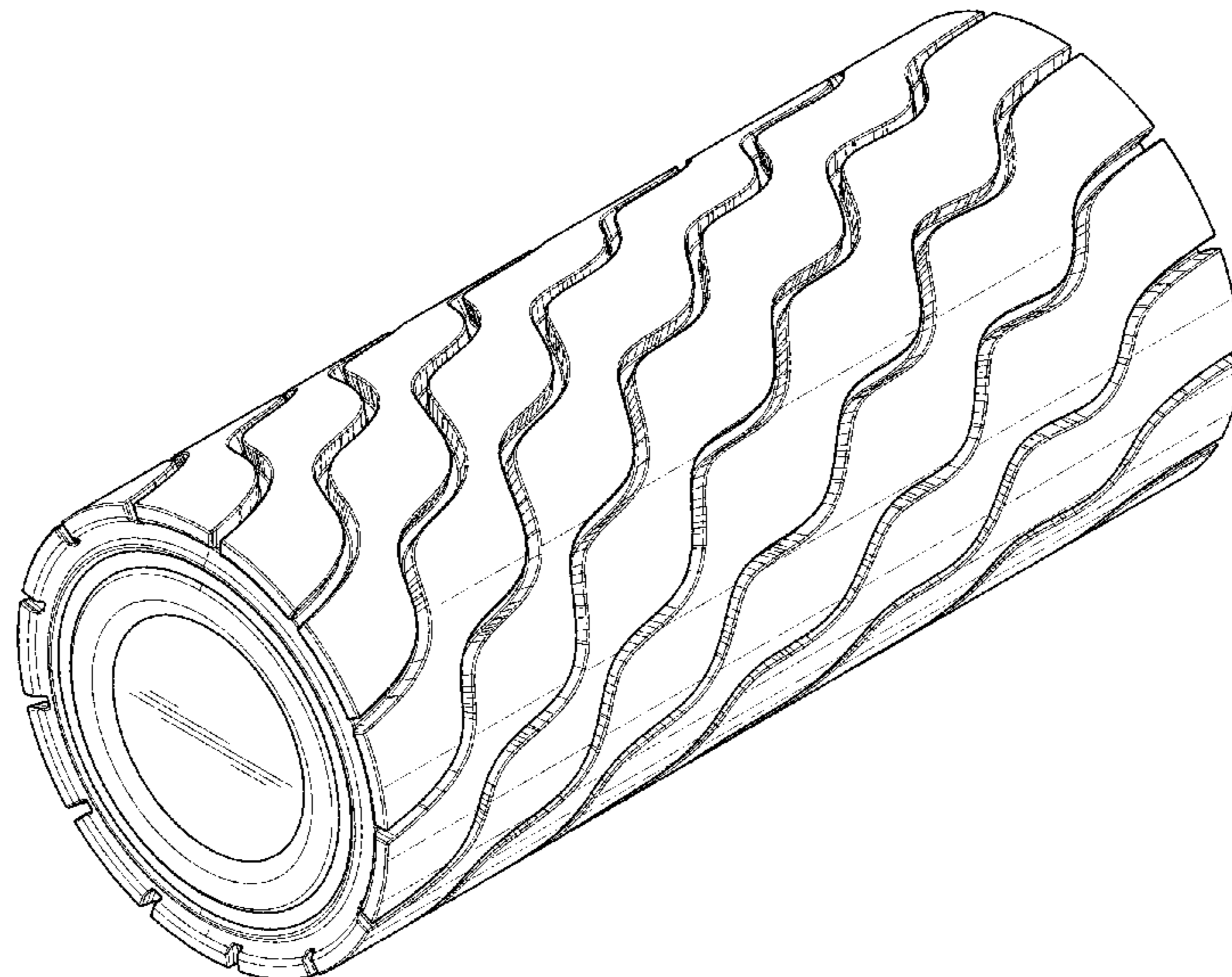
The ornamental design for a massage roller, as shown and described.

**DESCRIPTION**

FIG. 1 is a top perspective view of the first embodiment of a massage roller, showing our new design;  
FIG. 2 is a top plan view thereof;  
FIG. 3 is a bottom plan view thereof;  
FIG. 4 is a left side elevational view thereof;  
FIG. 5 is a right side elevational view thereof;  
FIG. 6 is a front elevational view thereof;  
FIG. 7 is a rear elevational view thereof;  
FIG. 8 is a top perspective view of the second embodiment of a massage roller, showing our new design;  
FIG. 9 is a top plan view thereof;  
FIG. 10 is a bottom plan view thereof;  
FIG. 11 is a left side elevational view thereof;  
FIG. 12 is a right side elevational view thereof;  
FIG. 13 is a front elevational view thereof; and,  
FIG. 14 is a rear elevational view thereof.

The broken lines shown in the figures are for the purpose of illustrating portions of the massage roller that form no part of the claimed design.

**1 Claim, 12 Drawing Sheets**



(56)

References Cited

U.S. PATENT DOCUMENTS

D700,346 S \* 2/2014 Palizzi ..... D24/211  
 D700,709 S \* 3/2014 Khodabakhshian ..... D24/211  
 D713,050 S \* 9/2014 Kao ..... A61H 15/00  
 D24/211  
 D721,183 S \* 1/2015 Mallory ..... D24/211  
 D736,398 S \* 8/2015 Kwon ..... D24/211  
 D737,456 S \* 8/2015 McDonough ..... A61H 15/0092  
 D24/211  
 D749,233 S \* 2/2016 Phillips ..... A61H 15/0092  
 D24/211  
 D755,304 S \* 5/2016 Ackerman ..... D21/698  
 D764,066 S \* 8/2016 Somjee ..... D24/211  
 D785,103 S \* 4/2017 Townsend ..... D21/662  
 D788,313 S \* 5/2017 Lawrie ..... D24/211  
 D800,330 S \* 10/2017 Loos ..... A61H 15/00  
 D24/211  
 D801,400 S \* 10/2017 Willison ..... D15/78  
 D805,649 S \* 12/2017 Mizelle ..... D24/211  
 D809,612 S \* 2/2018 Ganea ..... D21/662  
 D822,772 S \* 7/2018 Jorgenson ..... D21/662  
 D825,695 S \* 8/2018 Kim ..... D21/662  
 D827,846 S \* 9/2018 De Nitto ..... D24/211  
 D829,920 S \* 10/2018 Carpinelli ..... D24/211  
 D833,026 S \* 11/2018 Khodabakhshian ..... D24/211  
 D833,027 S \* 11/2018 Viner ..... D24/211  
 D833,635 S \* 11/2018 Chen ..... D24/214  
 D842,486 S \* 3/2019 Kaoru ..... D24/211  
 D845,498 S \* 4/2019 Johnson ..... D24/211  
 D849,338 S \* 5/2019 Becattini, Jr. .... D30/160  
 D863,579 S \* 10/2019 Wang ..... D24/211  
 D863,583 S \* 10/2019 Carpinello ..... D24/213  
 D871,685 S \* 12/2019 McMillan ..... D30/160

D872,387 S \* 1/2020 Crane ..... D30/160  
 D876,657 S \* 2/2020 Lin ..... D24/211  
 10,561,923 B1 \* 2/2020 Harvey ..... A63B 21/4035  
 D882,805 S \* 4/2020 Lien ..... D24/211  
 D884,804 S \* 5/2020 Ross ..... D21/662  
 D886,314 S \* 6/2020 Morris ..... D24/211  
 D887,094 S \* 6/2020 Ruan ..... D30/160  
 D903,890 S \* 12/2020 Spratt ..... D24/215  
 D906,447 S \* 12/2020 Benton ..... D21/681  
 D911,480 S \* 2/2021 Lin ..... D21/803  
 D912,336 S \* 3/2021 Crouch ..... D30/160  
 D914,225 S \* 3/2021 Mills ..... D24/211  
 D915,613 S \* 4/2021 Durfee ..... D24/211  
 D915,614 S \* 4/2021 Nichols ..... D24/211  
 D919,107 S \* 5/2021 Huang ..... D24/211  
 D921,213 S \* 6/2021 Delgado ..... D24/211  
 D924,417 S \* 7/2021 Davis ..... D24/211  
 D925,750 S \* 7/2021 Che ..... D24/211  
 D927,711 S \* 8/2021 Guerizec ..... D24/211  
 D929,675 S \* 8/2021 Wilhelm ..... D30/160  
 D929,676 S \* 8/2021 Jackson ..... D30/160  
 D929,677 S \* 8/2021 Toolan ..... D30/160  
 2016/0279009 A1 \* 9/2016 Somjee ..... A61H 1/008  
 2016/0331628 A1 \* 11/2016 Kuo ..... A61H 7/007  
 2018/0289581 A1 \* 10/2018 Zook ..... A61H 1/00  
 2019/0110947 A1 \* 4/2019 Ekema ..... A61H 15/0092

OTHER PUBLICATIONS

Youtube, "Theragun Wave Roller Review", Aug. 5, 2020. . Shown on p. 1. (Year: 2020).\*  
 Therabody, "Wave Roller", Sep. 9, 2021. <https://www.therabody.com/us/en-us/wave-roller-us.html>. Shown on p. 1. (Year: 2021).\*

\* cited by examiner

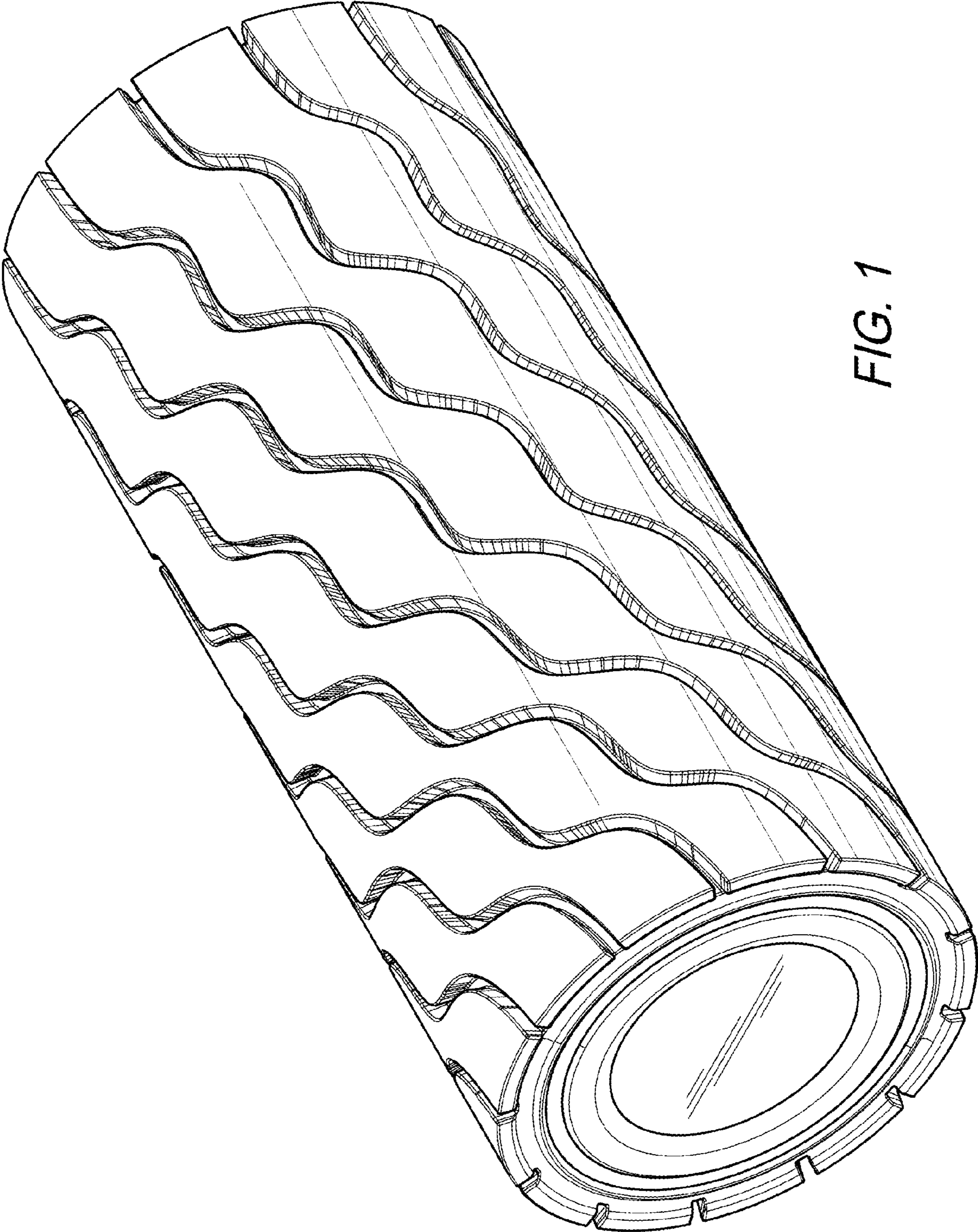


FIG. 1

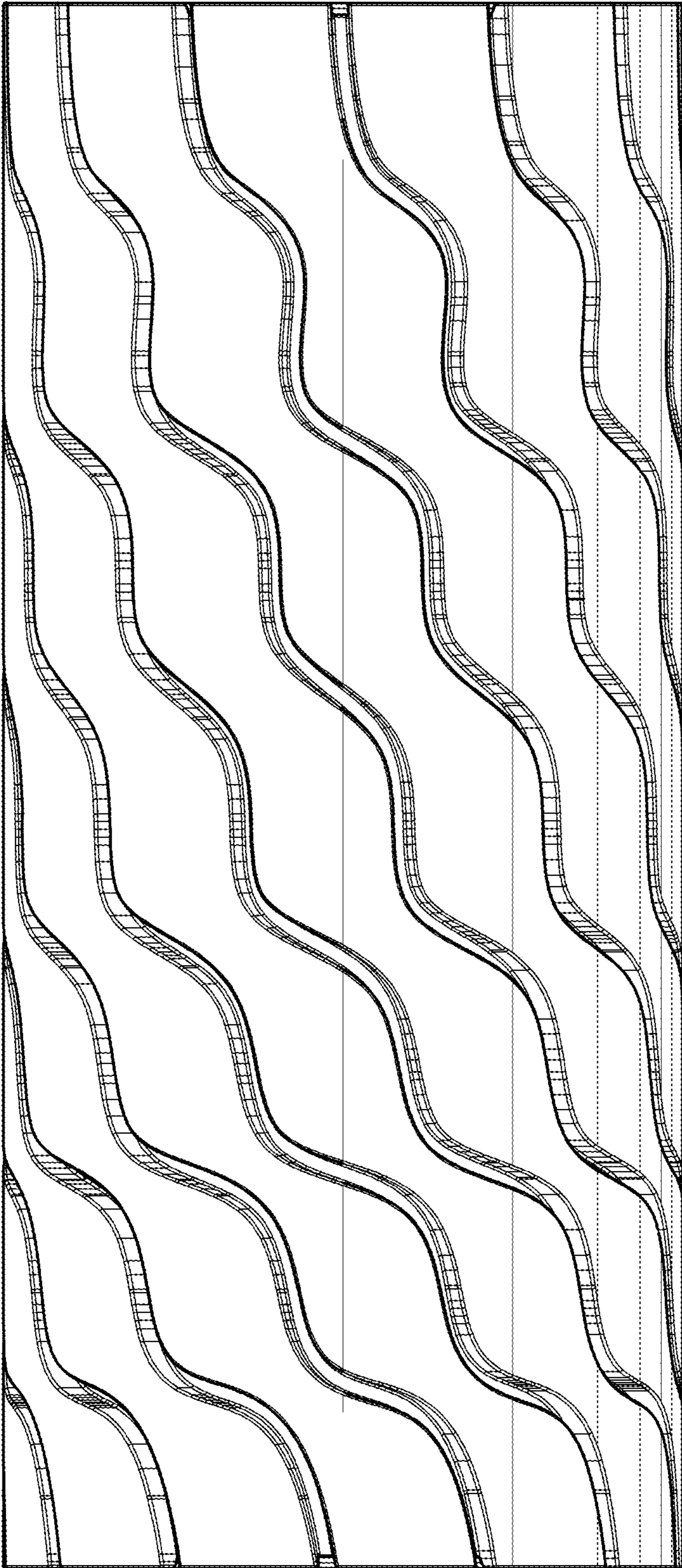


FIG. 2

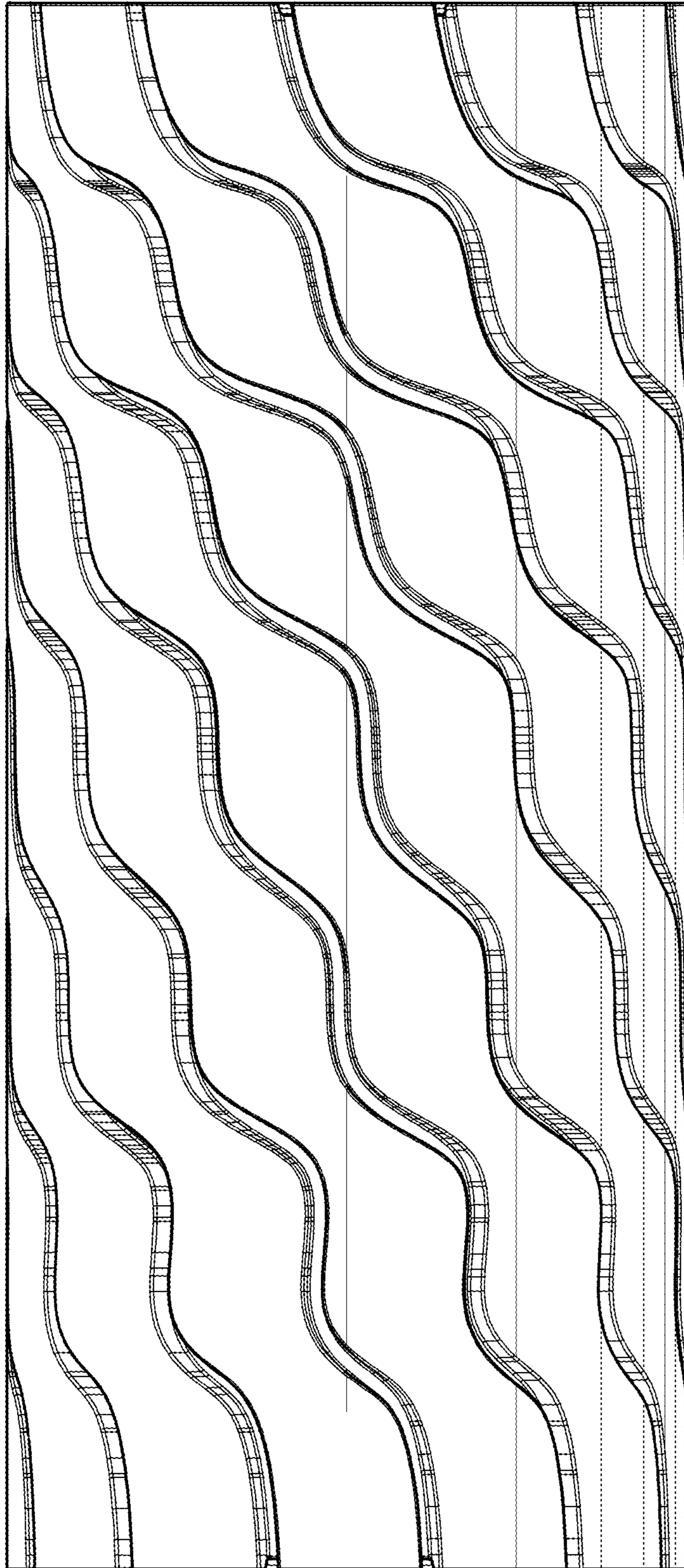


FIG. 3

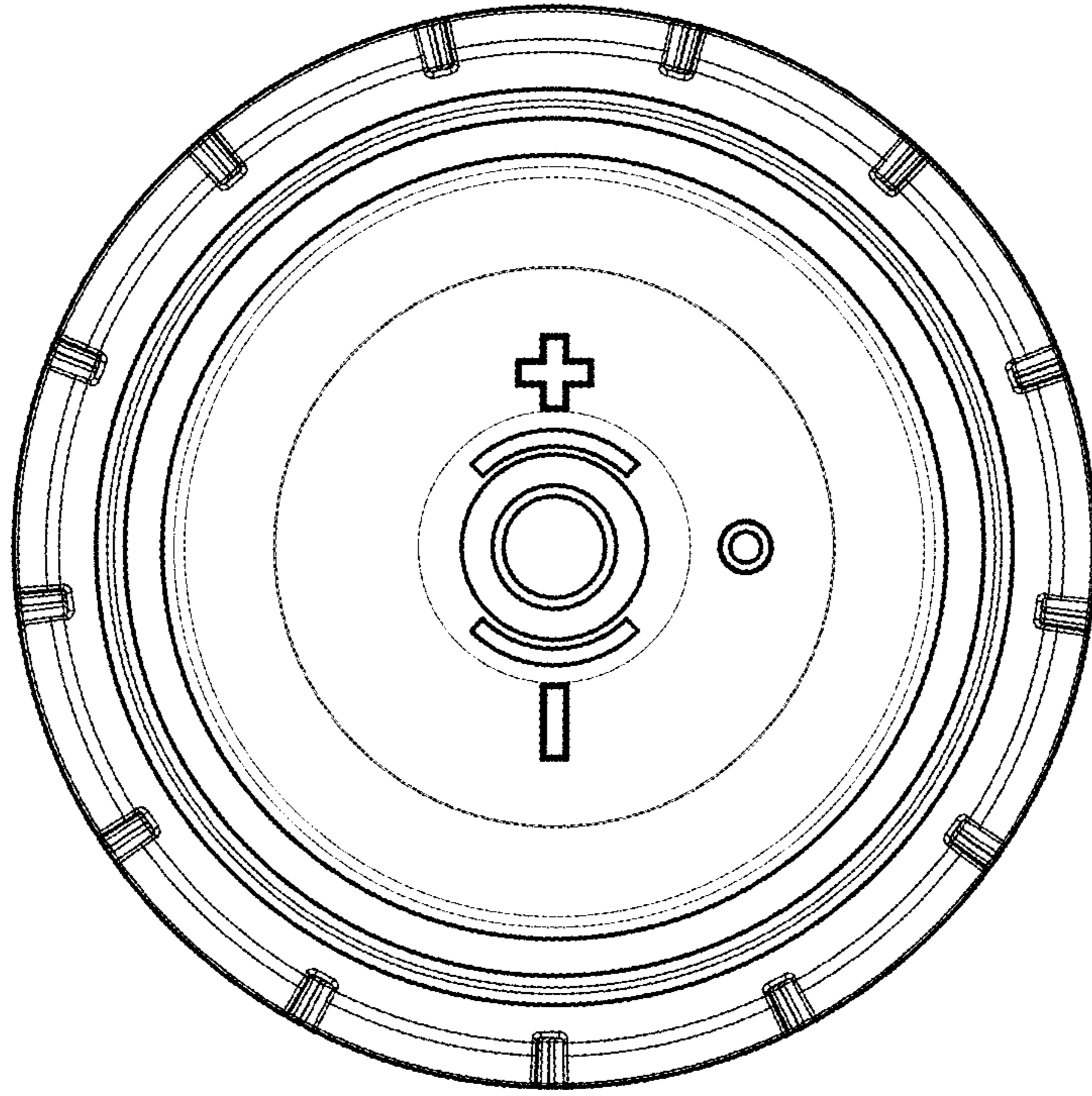


FIG. 5

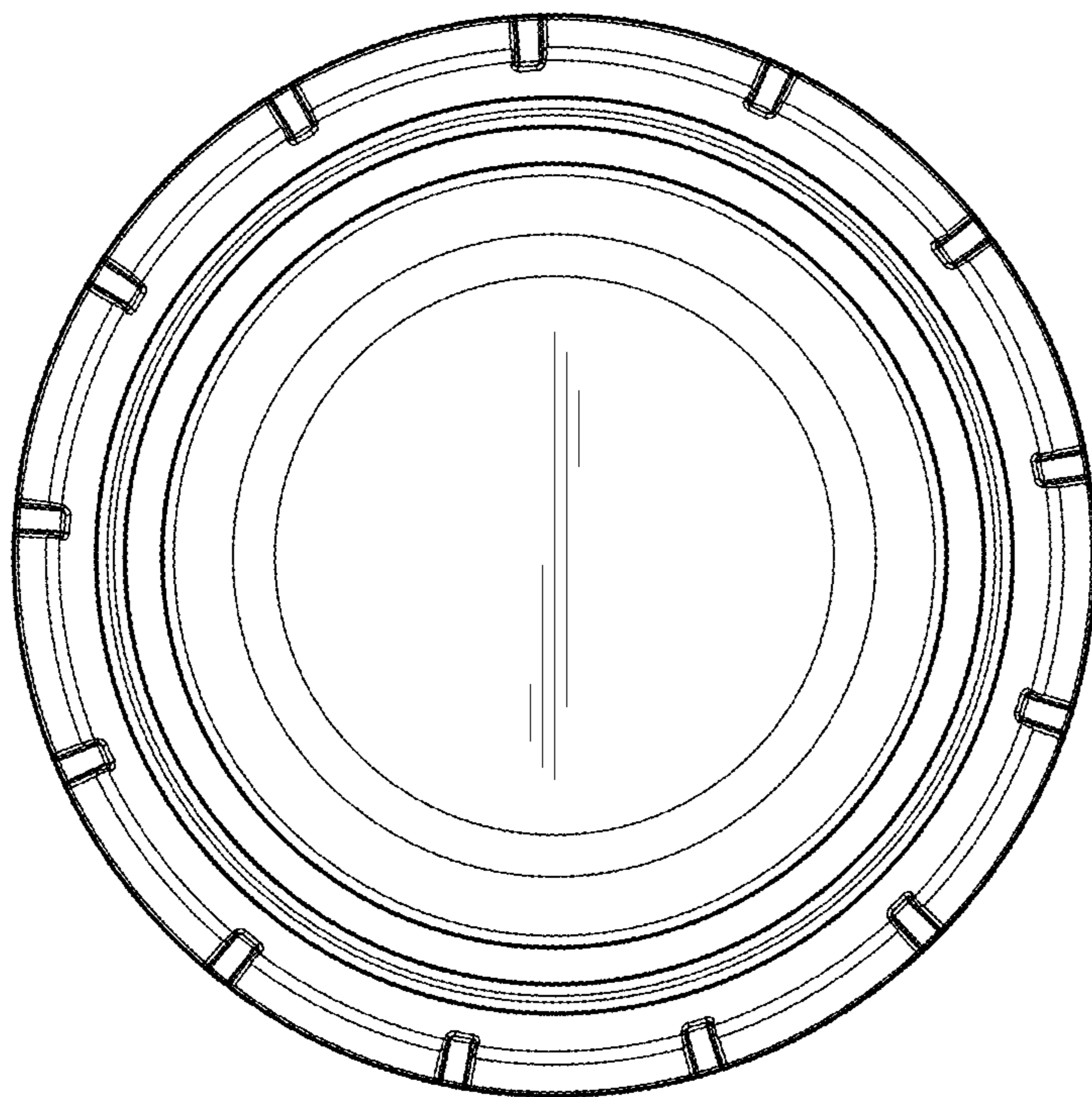


FIG. 4

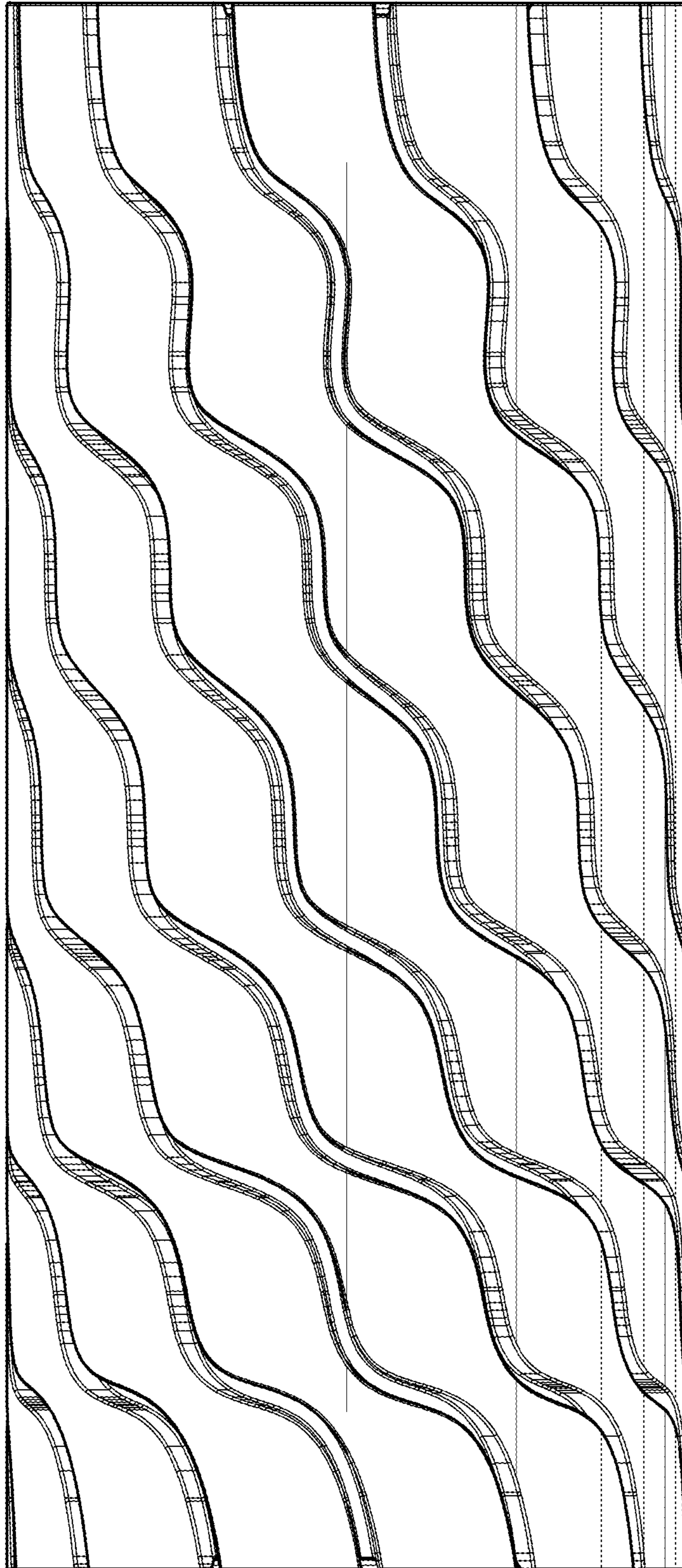


FIG. 6

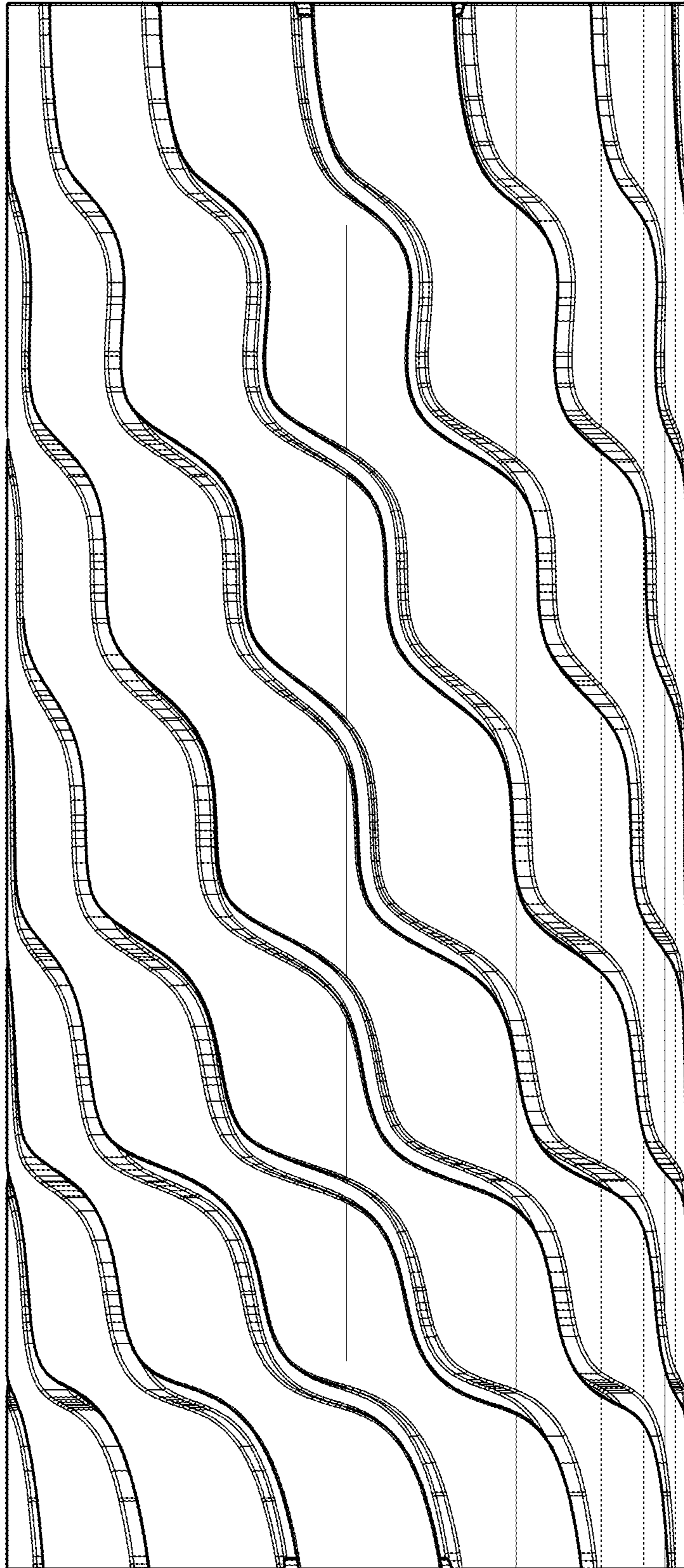


FIG. 7



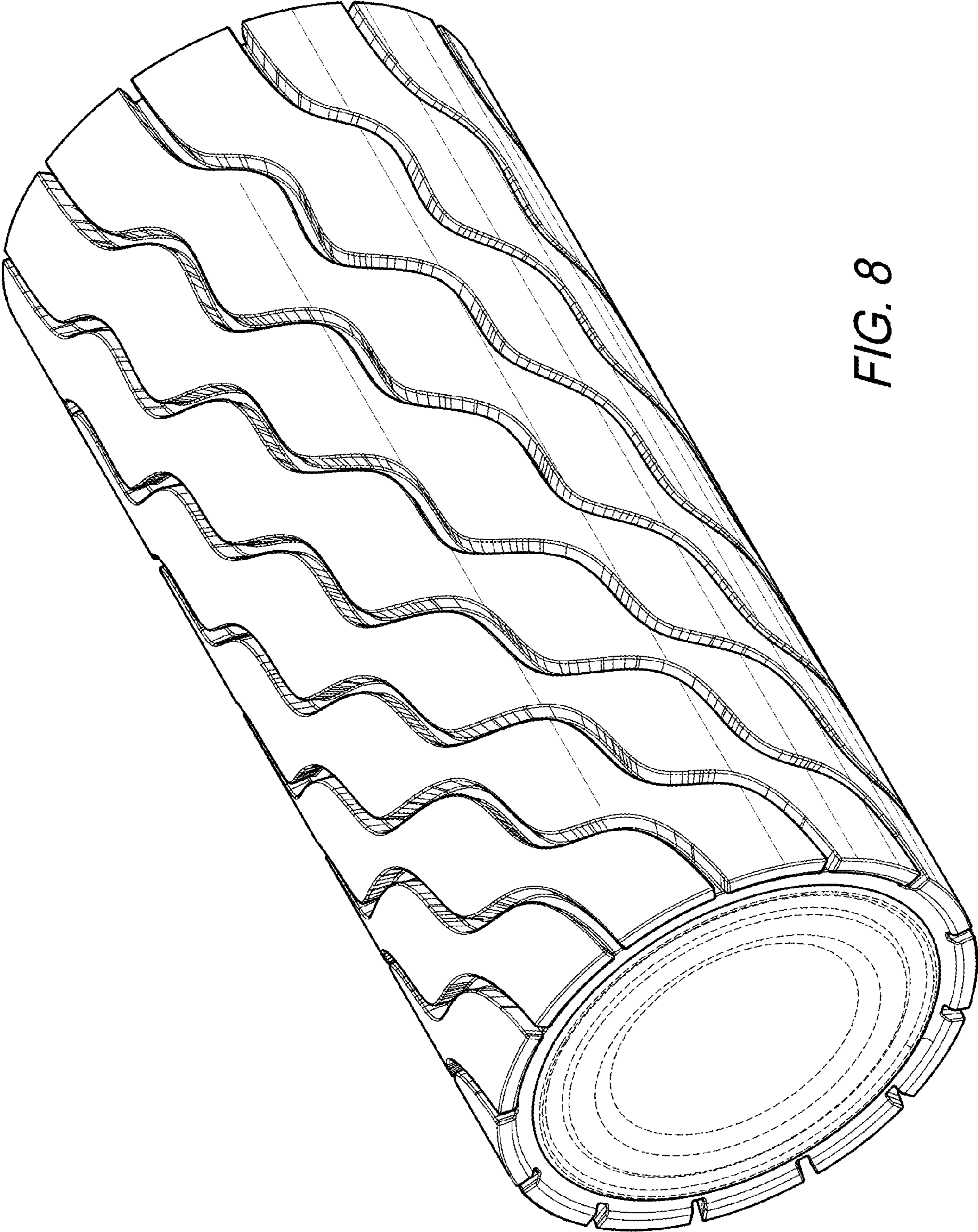


FIG. 8

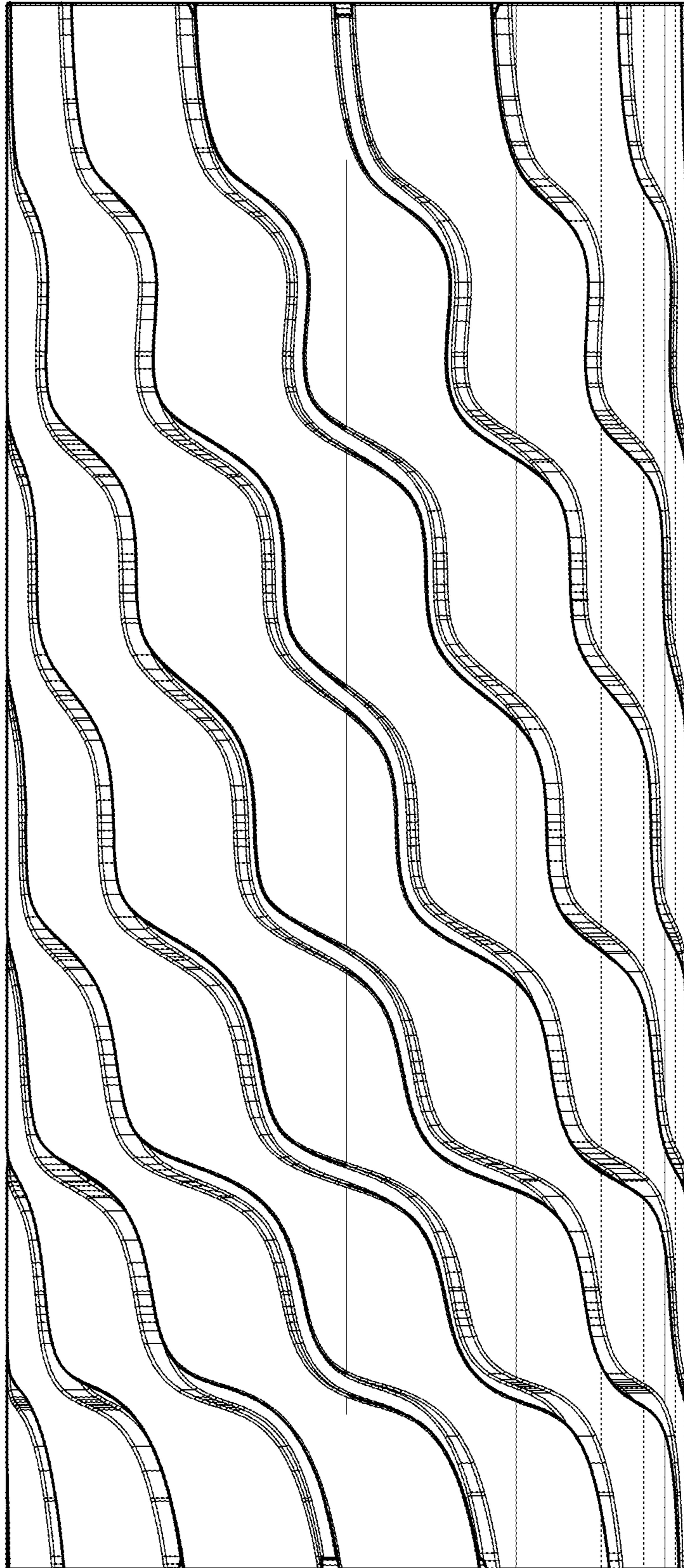
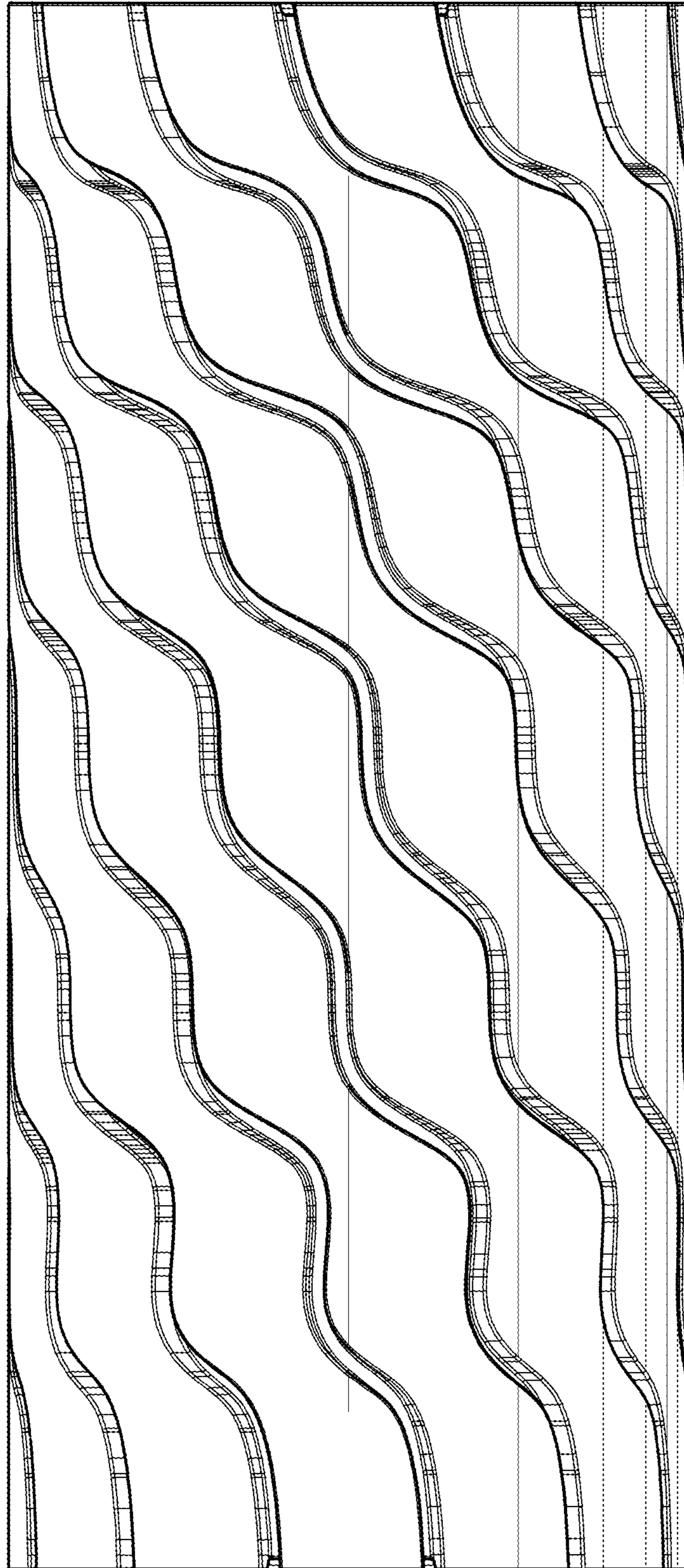


FIG. 9



*FIG. 10*

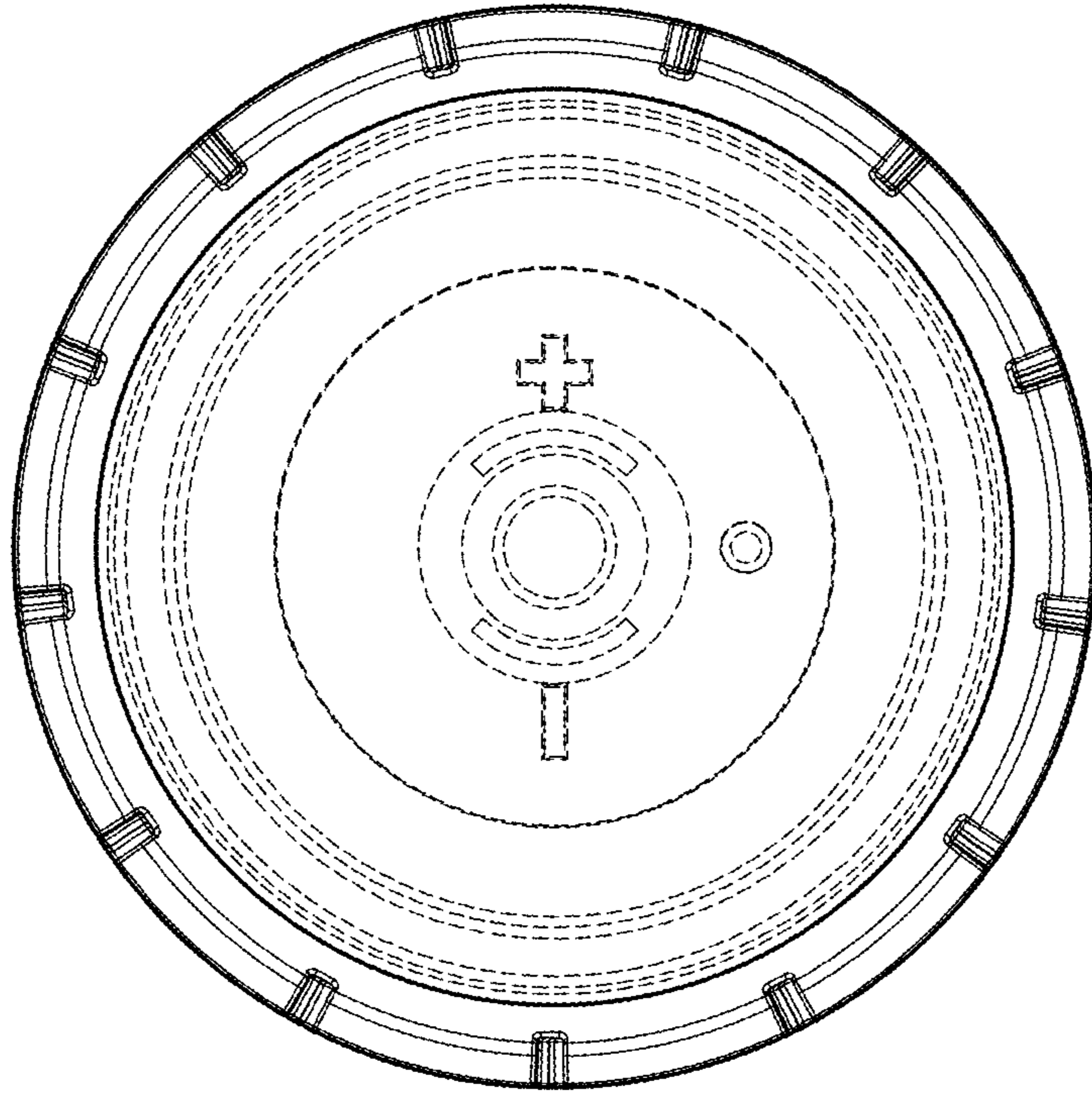


FIG. 12

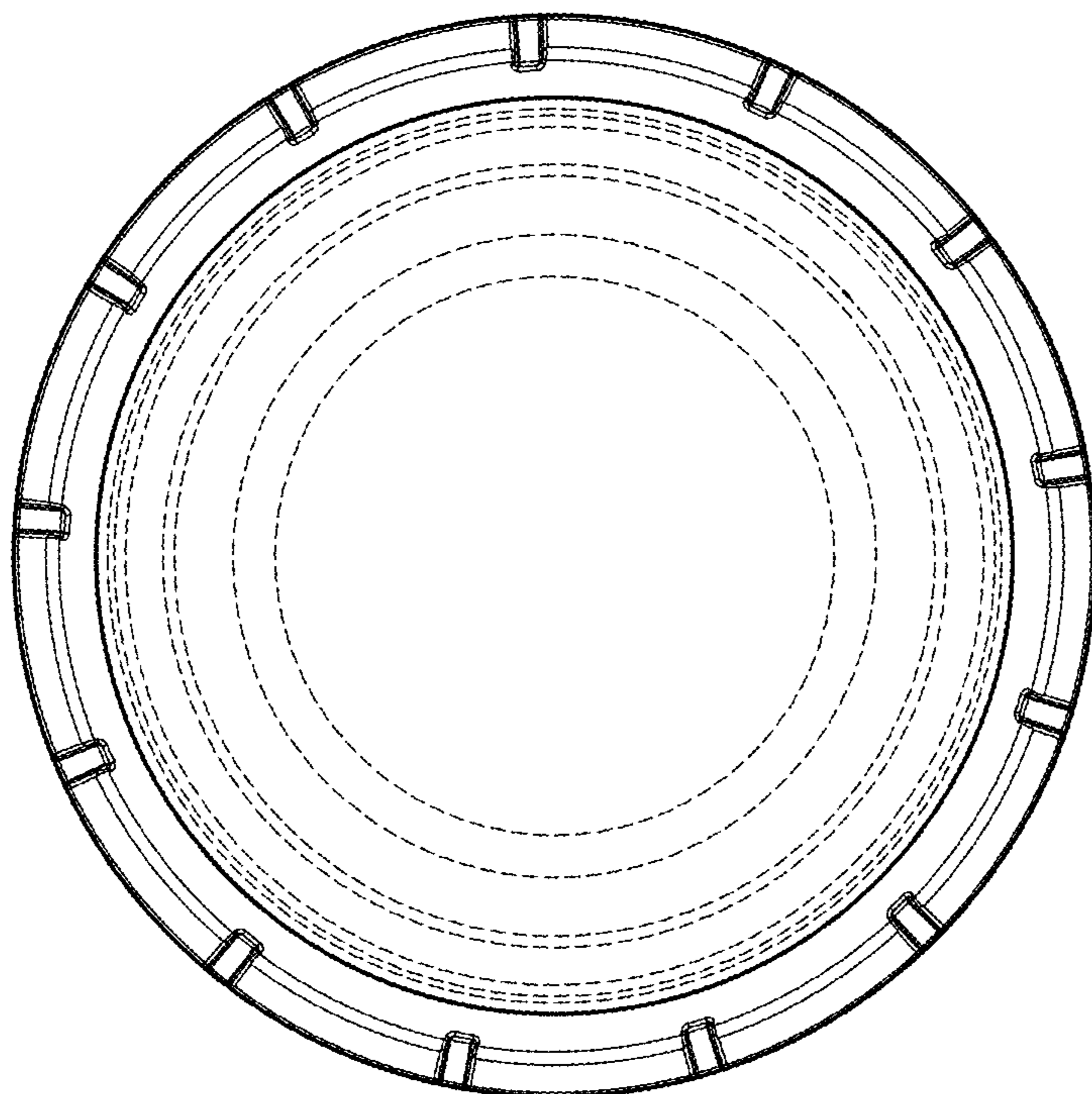
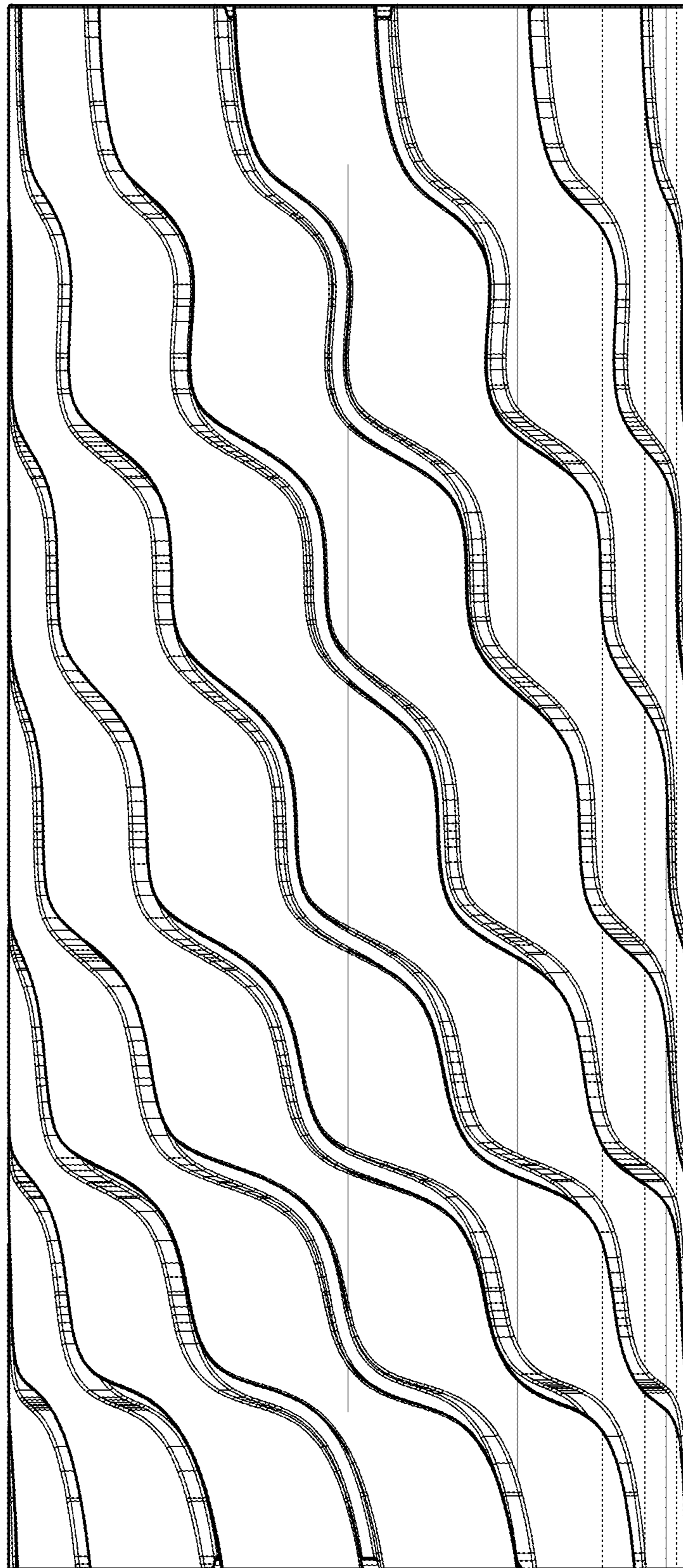
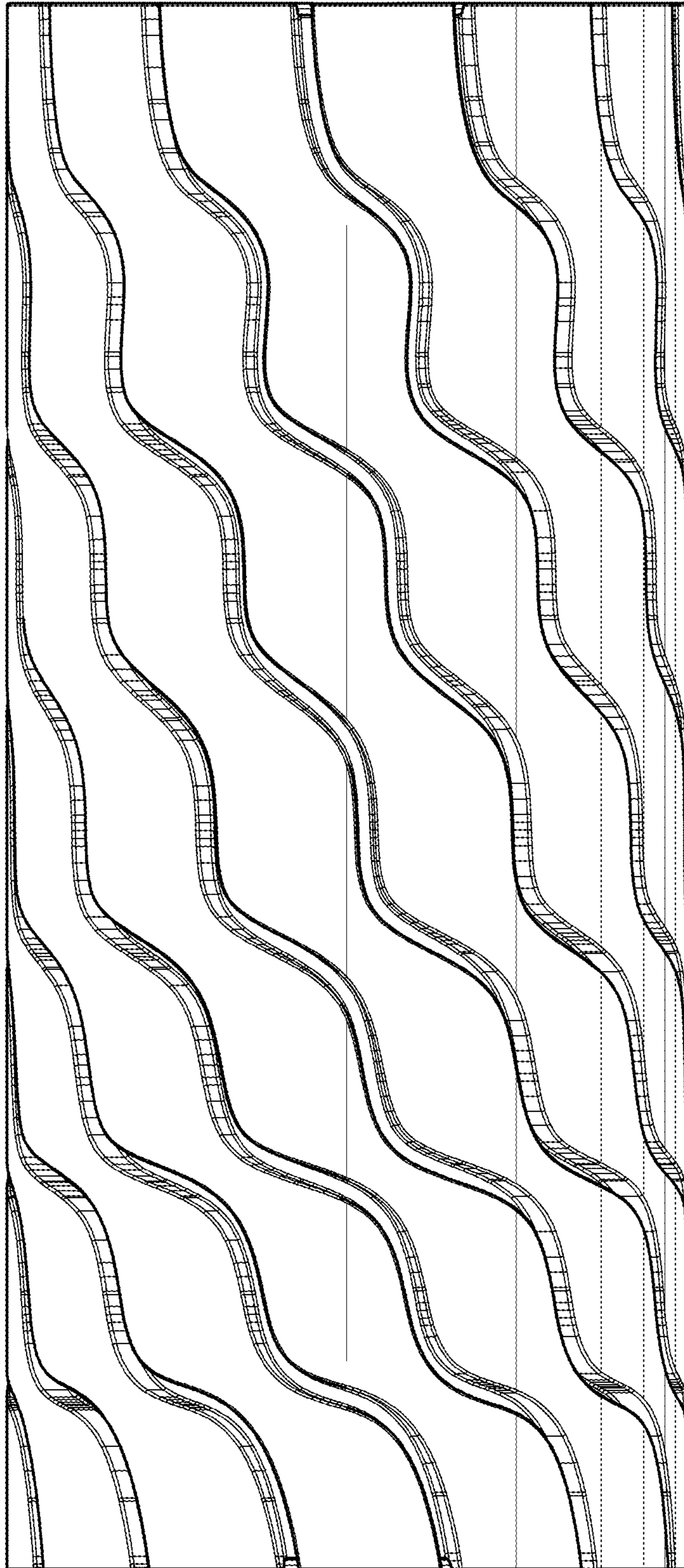


FIG. 11



*FIG. 13*



*FIG. 14*