



US00D949359S

(12) **United States Design Patent**
Lebovic

(10) **Patent No.:** **US D949,359 S**

(45) **Date of Patent:** **** *Apr. 19, 2022**

(54) **FOAM ROLLER**

(71) Applicant: **BAGSHOP 181 LIMITED**, Brooklyn, NY (US)

(72) Inventor: **Joseph Lebovic**, Brooklyn, NY (US)

(*) Notice: This patent is subject to a terminal disclaimer.

(**) Term: **15 Years**

(21) Appl. No.: **29/703,318**

(22) Filed: **Aug. 26, 2019**

(51) **LOC (13) Cl.** **28-03**

(52) **U.S. Cl.**
USPC **D24/211**

(58) **Field of Classification Search**
USPC D12/178; D23/266; D24/133, 186, 200, D24/211, 212, 213, 214, 215; D30/160
CPC A61H 2015/0014; A61H 15/00; A61H 2015/0007; A61H 2015/0042
See application file for complete search history.

(56) **References Cited**

U.S. PATENT DOCUMENTS

D259,964 S *	7/1981	Edelen	D28/37
D439,373 S *	3/2001	Cheung	D28/37
D611,576 S *	3/2010	Tokuno	D23/266
D660,450 S *	5/2012	Johnson	D24/215
D693,934 S *	11/2013	Lin	D24/215
D700,709 S *	3/2014	Khodabakhshian	D24/211
D713,050 S *	9/2014	Kao	A61H 15/00 D24/211
D737,456 S *	8/2015	McDonough	A61H 15/0092 D24/211
D749,233 S *	2/2016	Phillips	A61H 15/0092 D24/211
D755,304 S *	5/2016	Ackerman	D21/698
D764,066 S *	8/2016	Somjee	D24/211
D788,313 S *	5/2017	Lawrie	D24/211
D805,649 S *	12/2017	Mizelle	D24/211
D825,695 S *	8/2018	Kim	D21/662

D829,920 S *	10/2018	Carpinelli	D24/211
D833,026 S *	11/2018	Khodabakhshian	D24/211
D833,027 S *	11/2018	Viner	D24/211
D833,635 S *	11/2018	Chen	D24/214
D842,486 S *	3/2019	Kaoru	D24/211
D843,522 S *	3/2019	Miklavc	D21/692
D845,498 S *	4/2019	Johnson	D24/211
D863,579 S *	10/2019	Wang	D24/211
D863,583 S *	10/2019	Carpinello	D24/213
D876,657 S *	2/2020	Lin	D24/211

(Continued)

OTHER PUBLICATIONS

Veloproports, "VPX Traction Foam Roller", Jan. 21, 2021. https://veloproports.com/product/13-vpx-traction-foam-roller-medium-density/?utm_source=Google%20Shopping&utm_campaign=Smart%20Shopping&utm_medium=cpc&utm_term=17558. Shown on p. 1. (Year: 2021).*

Primary Examiner — Michael A Maharajh
(74) *Attorney, Agent, or Firm* — Bochner IP, PLLC;
Andrew D. Bochner

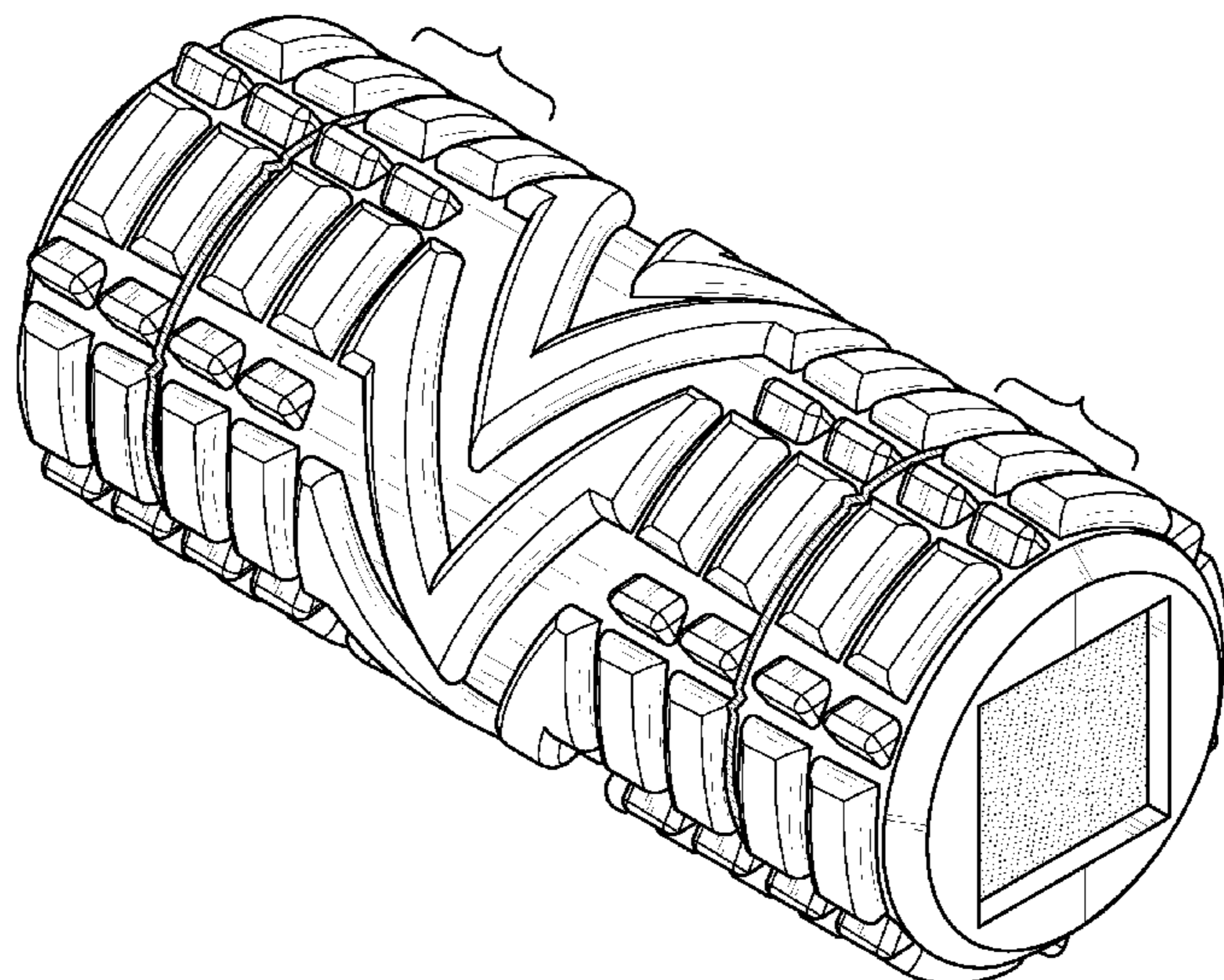
(57) **CLAIM**

The ornamental design for a foam roller, as shown and described.

DESCRIPTION

FIG. 1 is a top, front, right perspective view of a foam roller, showing my new design;
FIG. 2 is a front elevational view thereof;
FIG. 3 is a back elevational view thereof;
FIG. 4 is a right side elevational view thereof;
FIG. 5 is a left side elevational view thereof;
FIG. 6 is a top plan view thereof; and,
FIG. 7 is a bottom plan view thereof.
The foam roller is shown with portions cut away (indicated by break lines and brackets) to indicate a non-specified length. The appearance of any portion of the foam roller between the break lines forms no part of the claimed design.

1 Claim, 4 Drawing Sheets



(56)

References Cited

U.S. PATENT DOCUMENTS

D882,805	S *	4/2020	Lien	D24/211
D884,804	S *	5/2020	Ross	D21/662
D886,314	S *	6/2020	Morris	D24/211
D886,315	S *	6/2020	Hicken	D24/211
D895,824	S *	9/2020	Nelson	D24/211
D898,931	S *	10/2020	Thompson, Jr.	D24/211
D901,032	S *	11/2020	Gonglach	D24/211
D902,421	S *	11/2020	Kim	D24/211
D907,790	S *	1/2021	Kim	D24/211
2015/0190304	A1 *	7/2015	Lawrie	A61H 15/00 601/118
2016/0235619	A1 *	8/2016	Yeh	A61H 15/00
2016/0279009	A1 *	9/2016	Somjee	A61H 1/008
2018/0049941	A1 *	2/2018	Venezia	A61H 15/02
2018/0256442	A1 *	9/2018	Lee	A61H 15/0078
2020/0030181	A1 *	1/2020	Lin	A63B 22/20

* cited by examiner

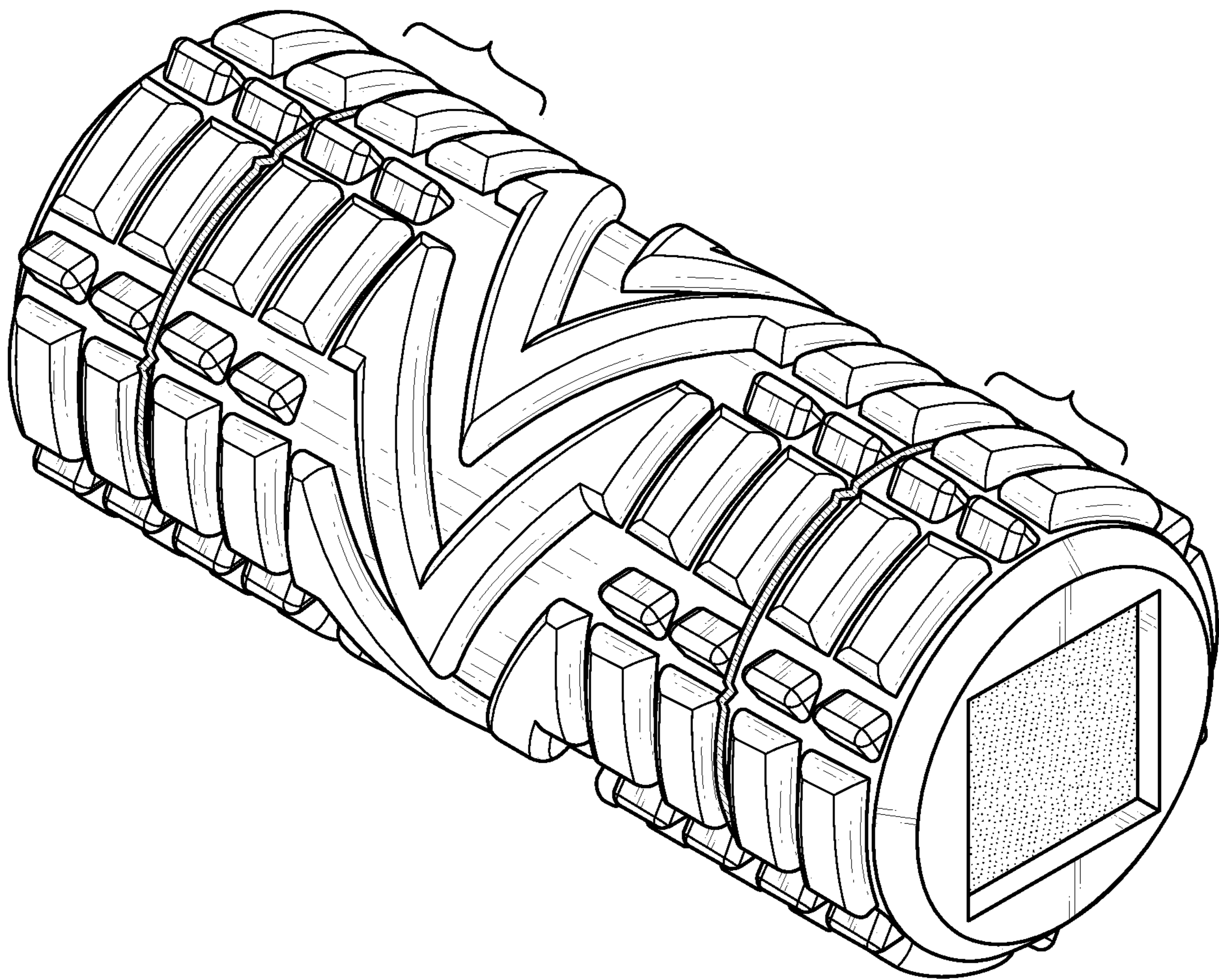


FIG. 1

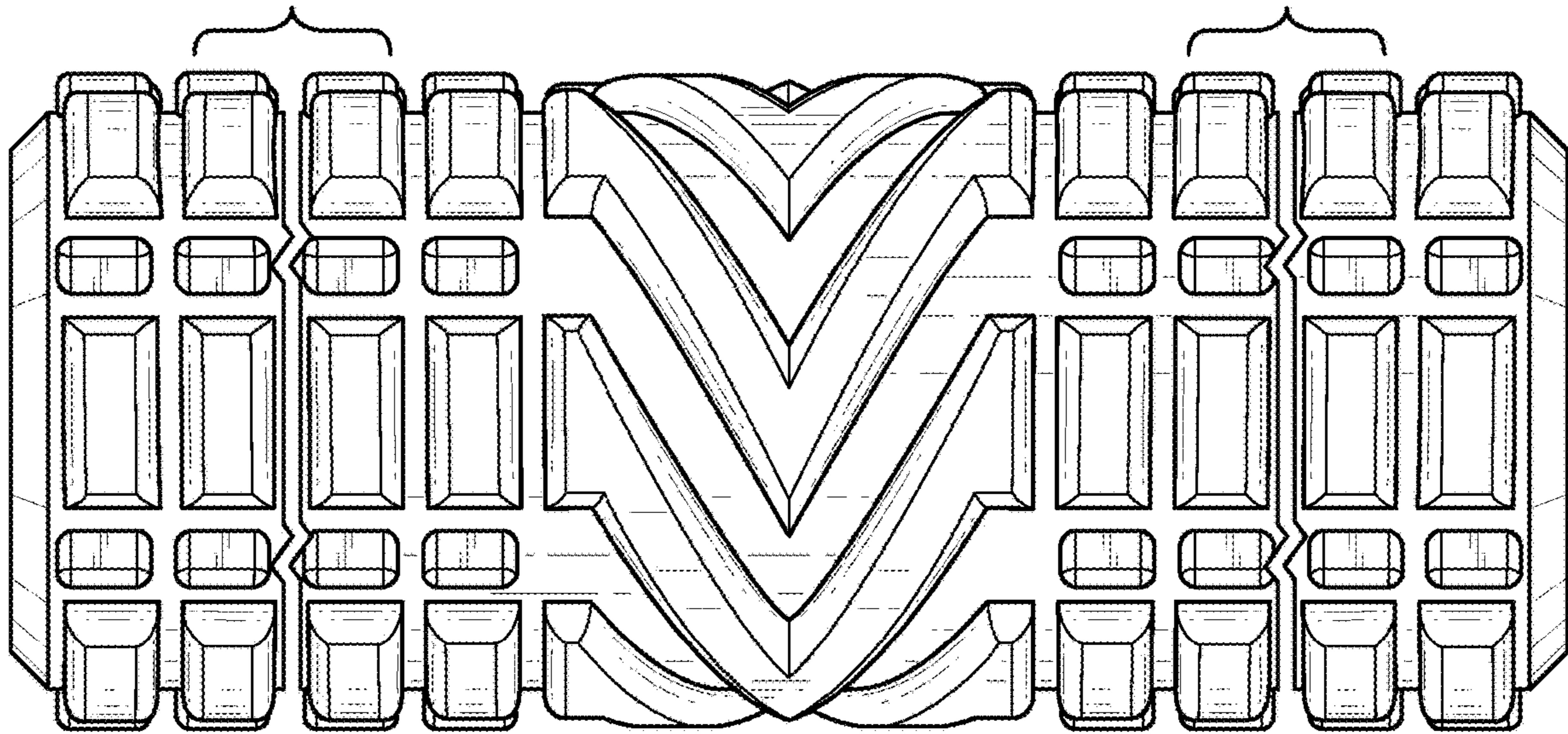


FIG. 2

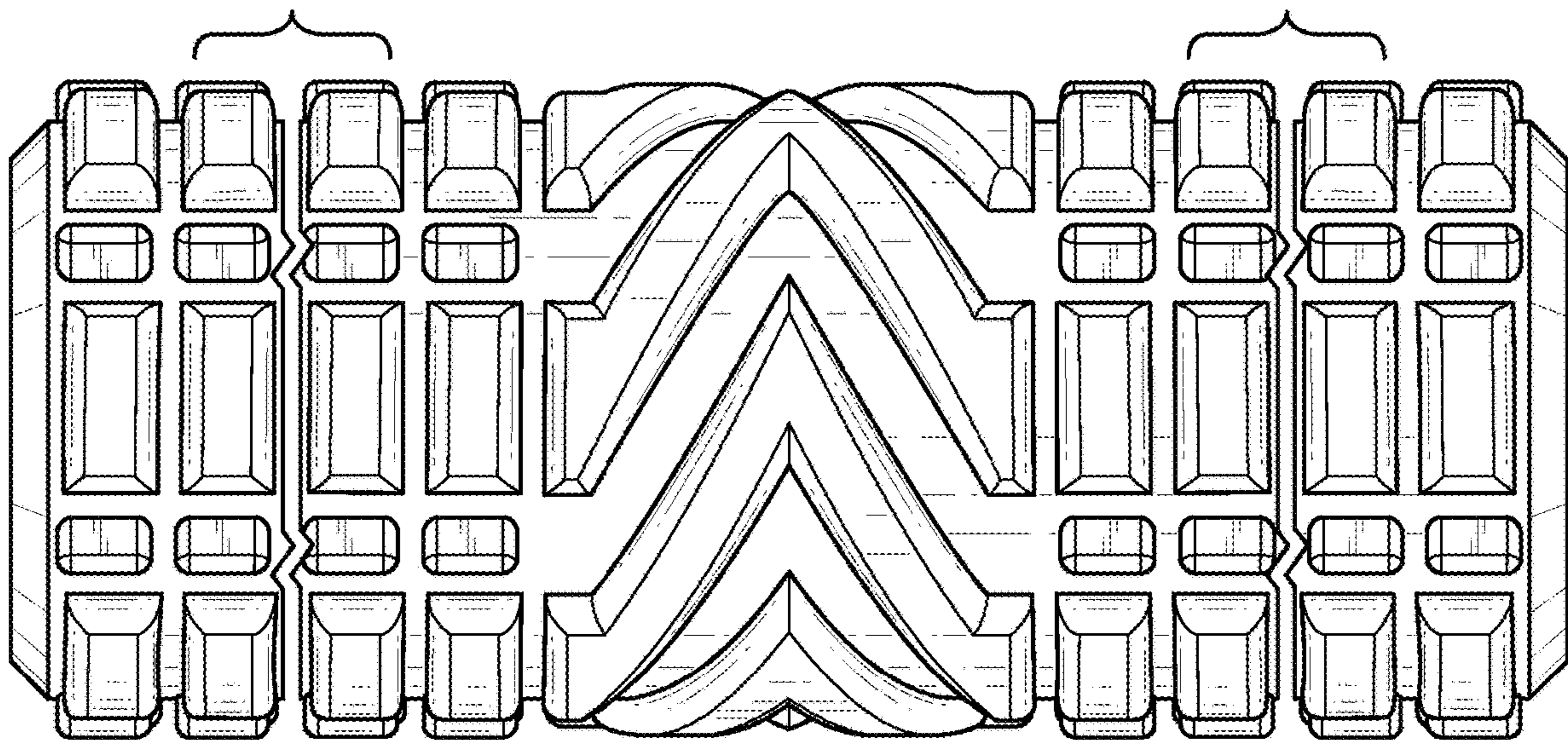


FIG. 3

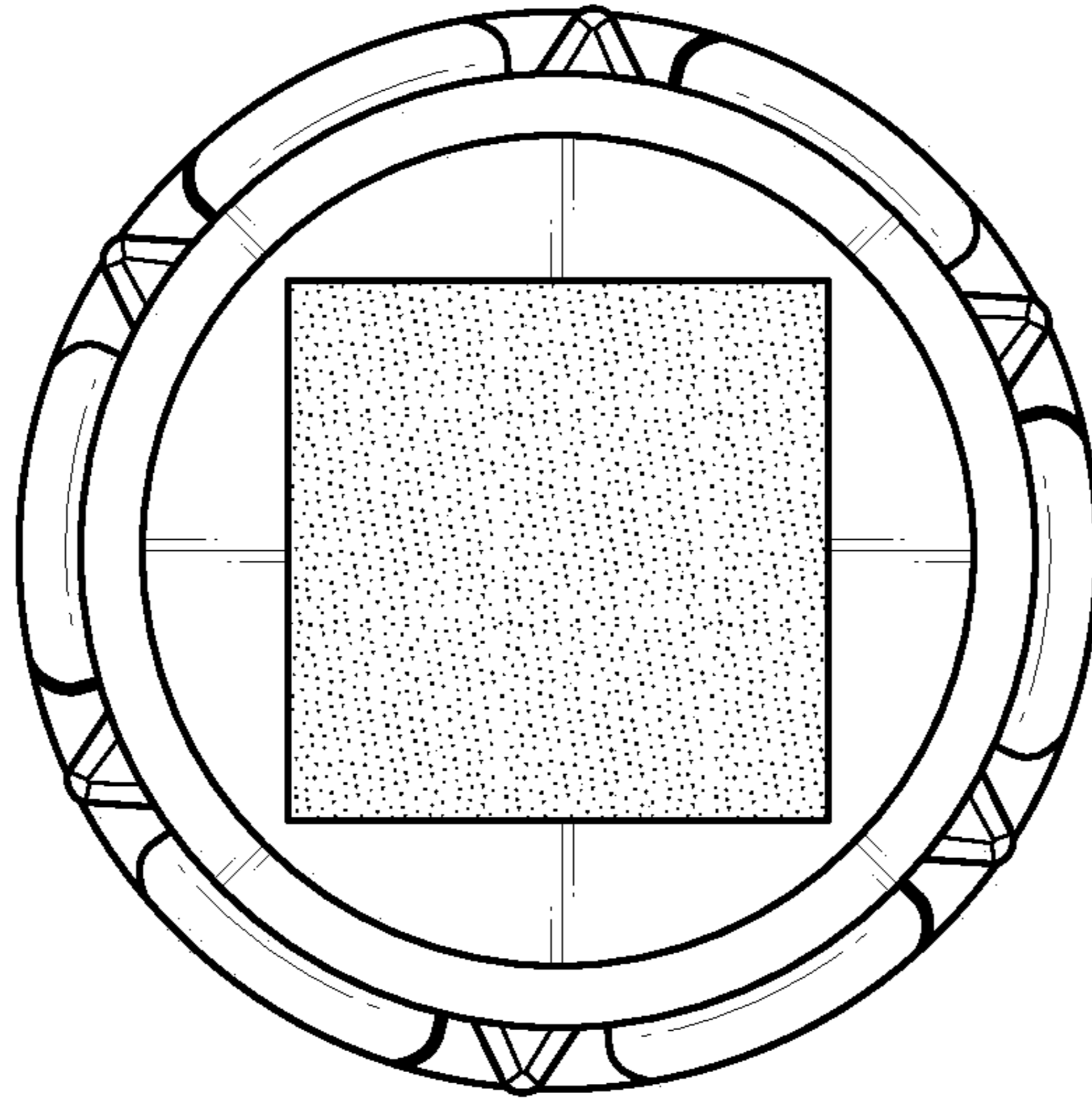


FIG. 4

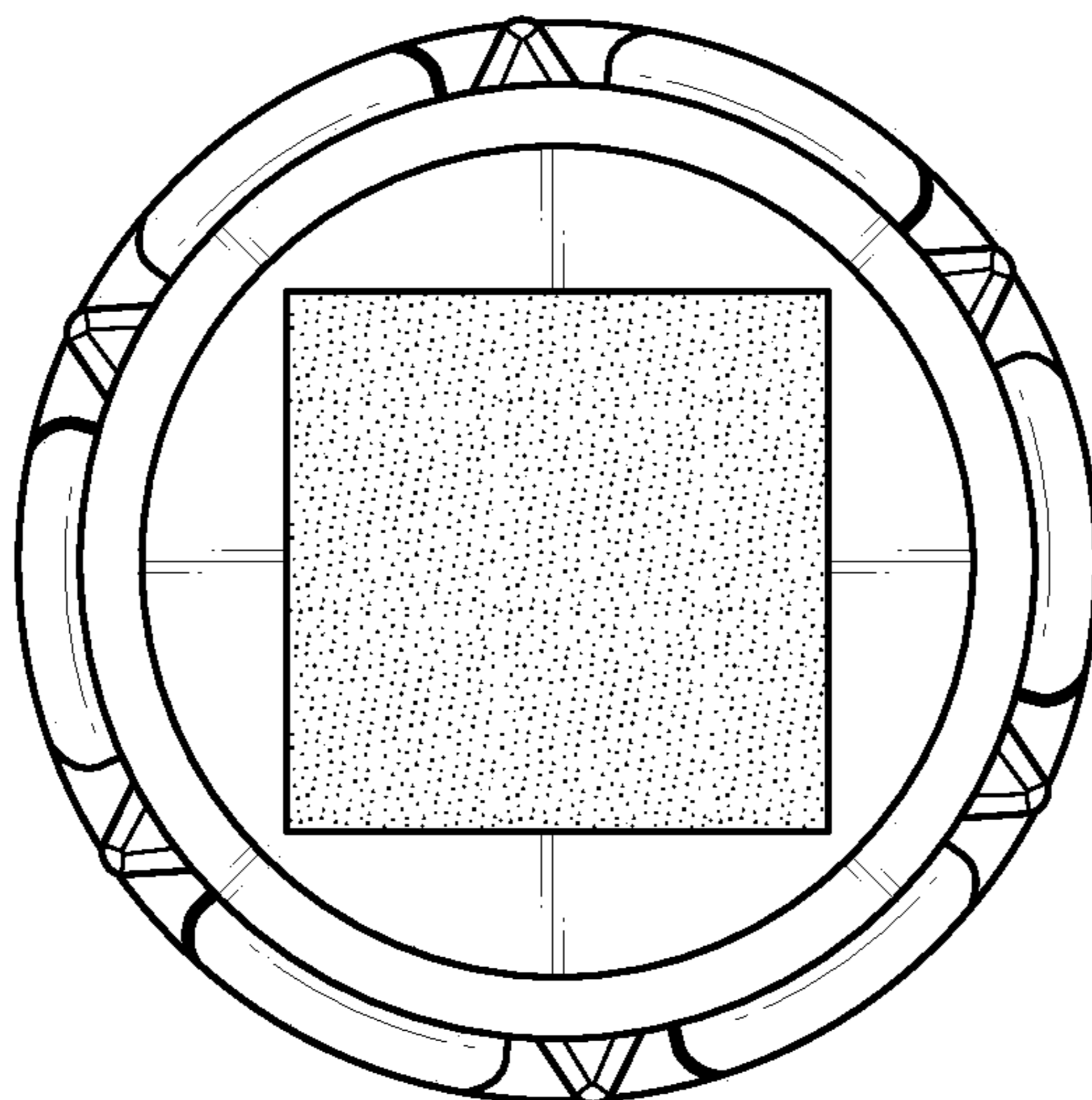


FIG. 5

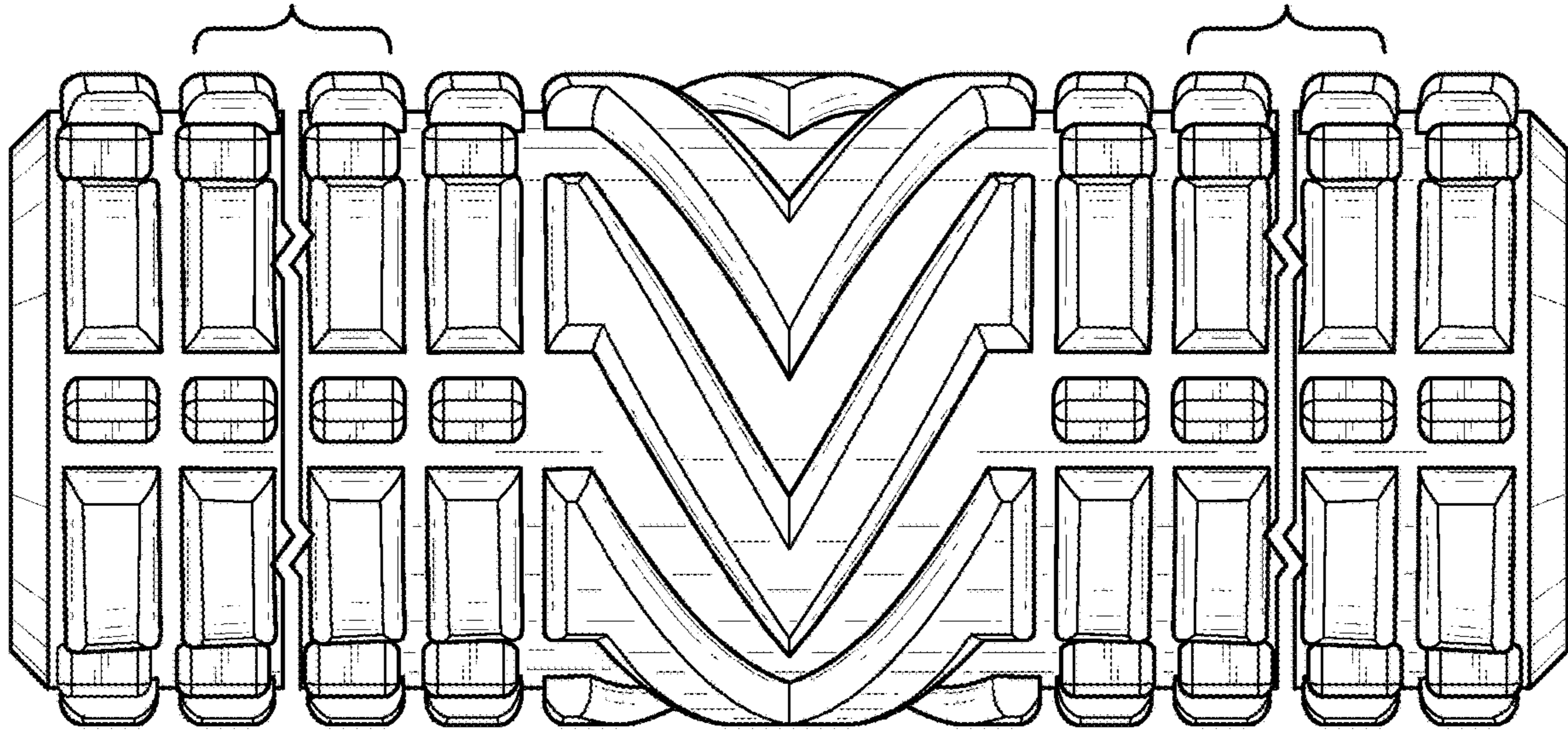


FIG. 6

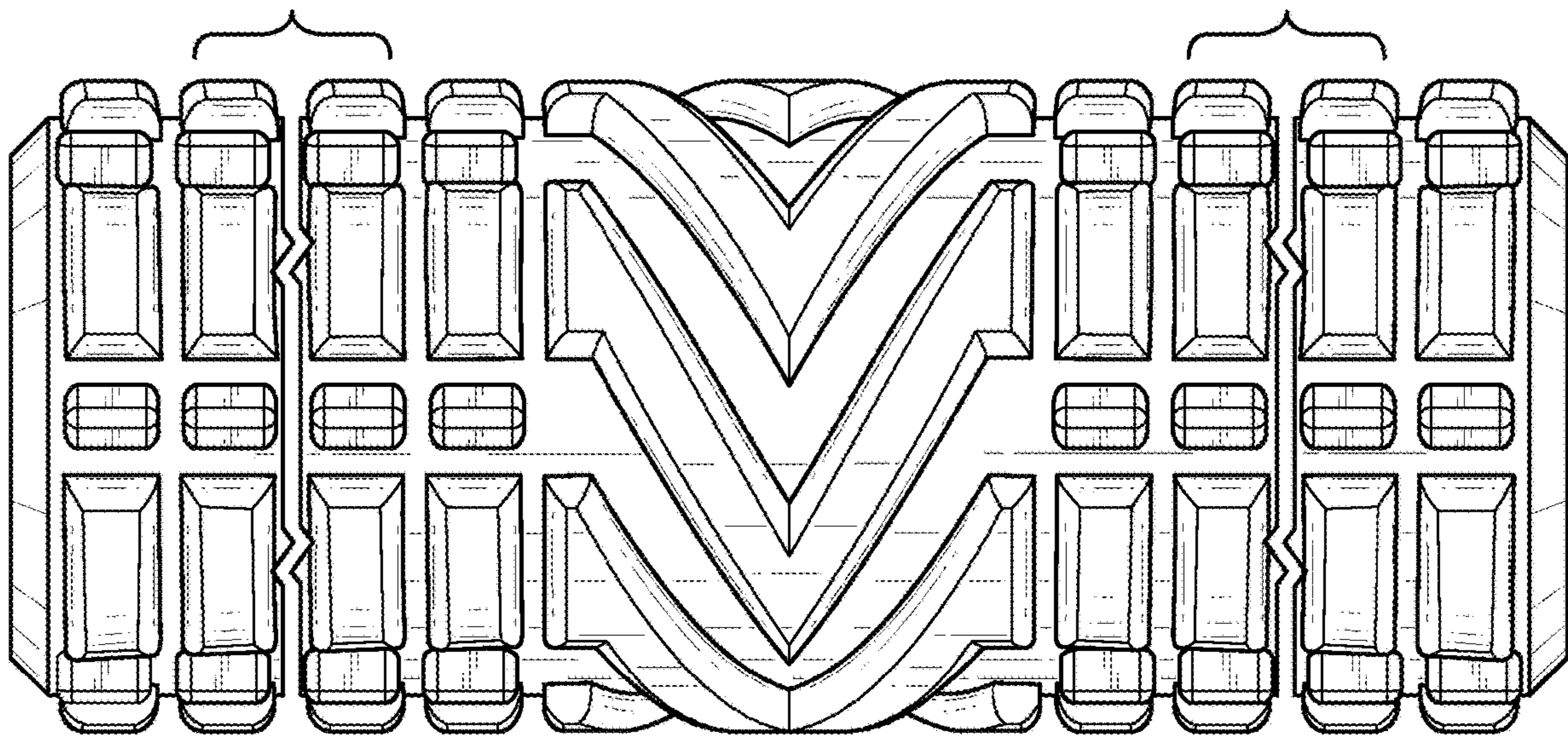


FIG. 7