



US00D949356S

(12) **United States Design Patent** (10) **Patent No.:** **US D949,356 S**
Wu (45) **Date of Patent:** **** Apr. 19, 2022**

(54) **PHOTOTHERAPY LAMP**

OTHER PUBLICATIONS

- (71) Applicant: **Lang Wu**, Xianning (CN)
- (72) Inventor: **Lang Wu**, Xianning (CN)
- (**) Term: **15 Years**
- (21) Appl. No.: **29/777,517**
- (22) Filed: **Apr. 6, 2021**
- (51) **LOC (13) Cl.** **28-03**
- (52) **U.S. Cl.**
USPC **D24/209**
- (58) **Field of Classification Search**
USPC D24/200, 214, 209, 210; D26/106, 120;
D14/341
CPC A61N 5/062; A61N 5/0616; A61N 5/0618
See application file for complete search history.

Amazon.com: Light Therapy Lamp, Ultra-Thin UV-Free 10000 Lux Therapy Light, Touch Control with Stepless Brightness Levels and 4 Timer Function, Memory Function, 90°Rotatable Stand for a Happy Life. Date first available: Jul. 16, 2021. Retrieved from internet on Feb. 18, 2022 at: https://www.amazon.com/dp/B099ND7XKC/ref=sspa_dk_detail_2?spLa=ZW5jenlwdGVkUXVhbGhmaWVyPUEzSktKTiowOFpFV05GJmVuY3J5cHRIZEIkPUEwOTM1OTY5MUNTMI1VXNTJJNUdOWCZlbnNyeXB0ZWRBZEIkPUEwMjMzZg3MUQ2QUJDMk5FUjg4SSZ3aWRnZXROYW1IPXNwX2RldGFpbDlmYWN0aW9uPWNsaWNrUmVkaXJlY3QmZG9Ob3RMb2dDbGljaz10cnVI&th=1.*

* cited by examiner

Primary Examiner — Anhdao Doan

(57) **CLAIM**

The ornamental design for a phototherapy lamp, as shown and described.

(56) **References Cited**

DESCRIPTION

U.S. PATENT DOCUMENTS

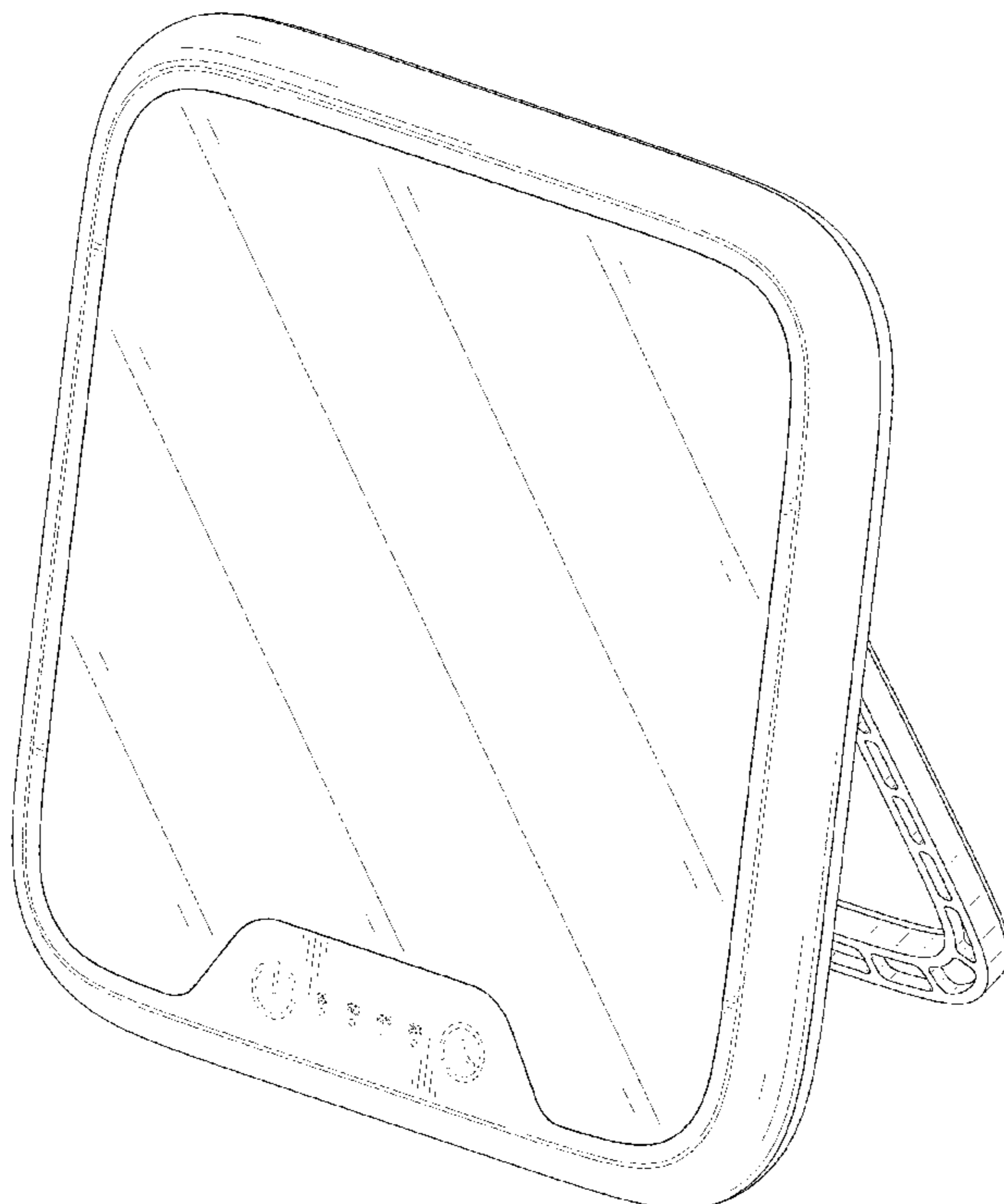
- D879,984 S * 3/2020 Hu D24/209
- D903,135 S 11/2020 Xiao
- D903,136 S 11/2020 Xiao
- D909,674 S * 2/2021 Xiong D24/209
- D912,837 S * 3/2021 Zhang D24/210
- D925,049 S * 7/2021 Yang D24/210
- D925,050 S * 7/2021 Yang D24/210
- D935,333 S * 11/2021 Bai D14/336
- 2021/0008387 A1 * 1/2021 Jou A61N 5/0618

FIG. 1 is a perspective view of a phototherapy lamp showing my new design;
FIG. 2 is another perspective view thereof;
FIG. 3 is a front elevational view thereof;
FIG. 4 is a rear elevational view thereof;
FIG. 5 is a left side elevational view thereof;
FIG. 6 is a right side elevational view thereof;
FIG. 7 is a top plan view thereof; and,
FIG. 8 is a bottom plan view thereof.
The broken lines in the drawings depict portions of the phototherapy lamp that form no part of the claimed design.

FOREIGN PATENT DOCUMENTS

- CN 201930316686.9 * 1/2020
- EM 008489439-0001 * 4/2021

1 Claim, 8 Drawing Sheets



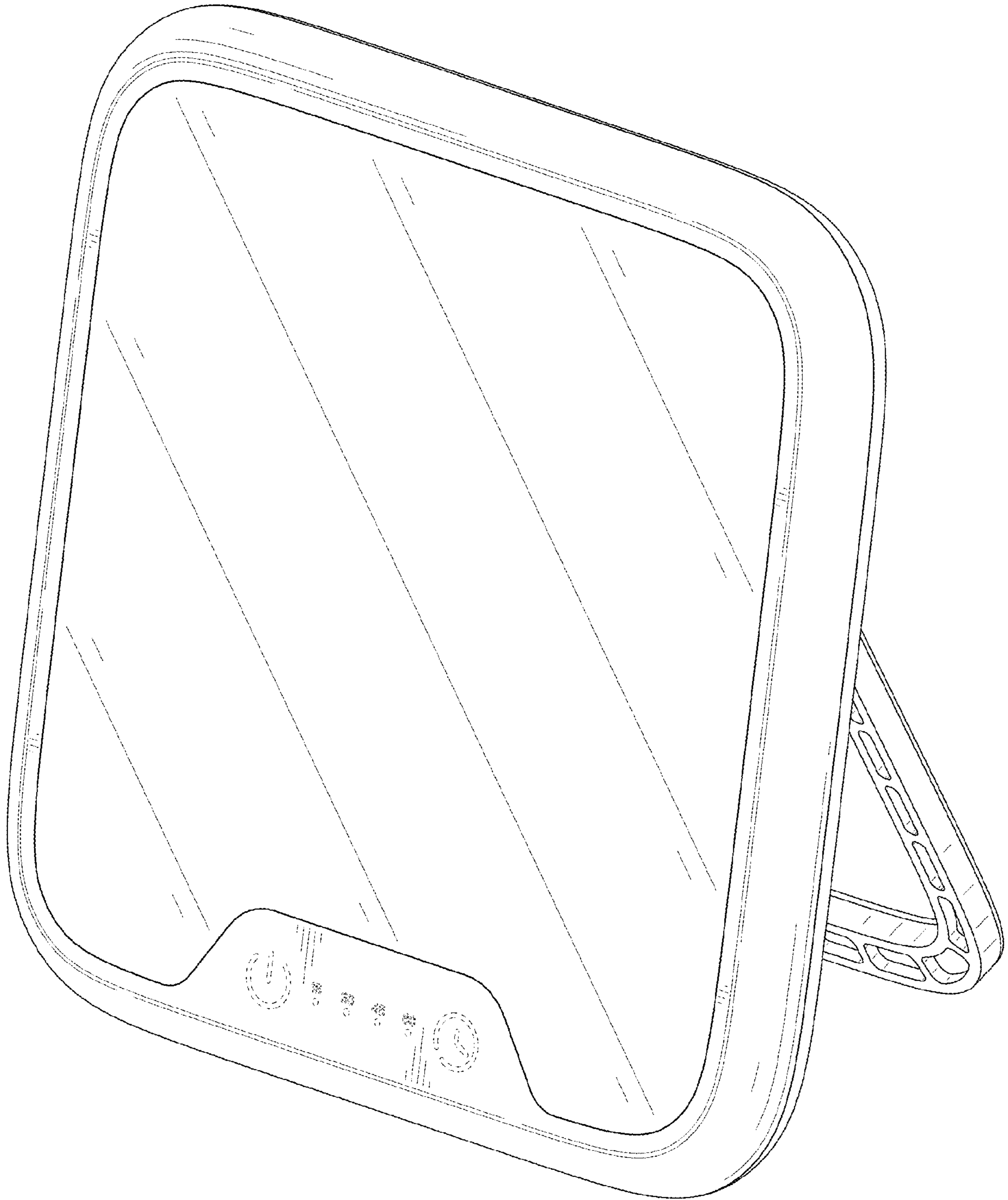


FIG. 1

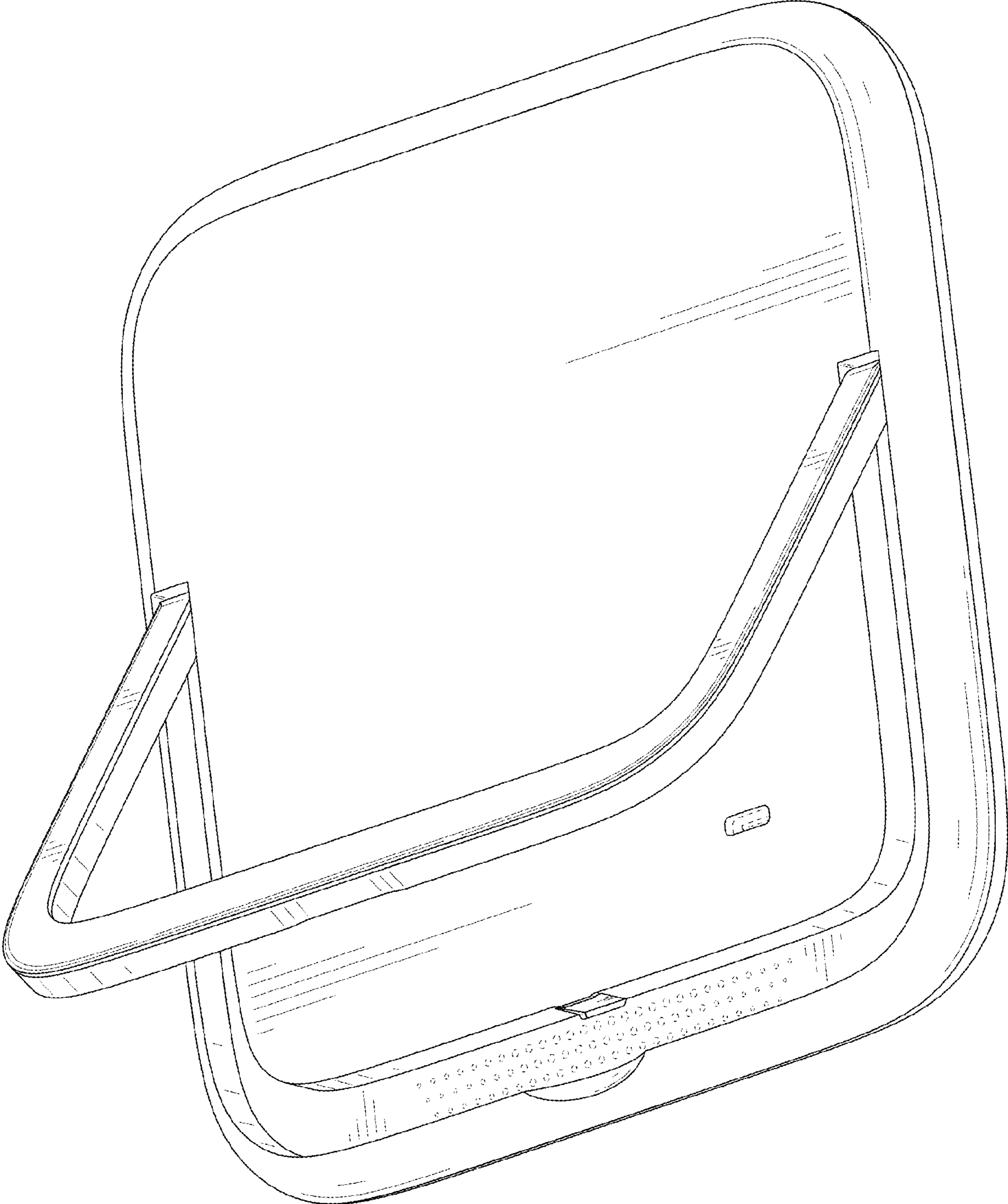


FIG. 2

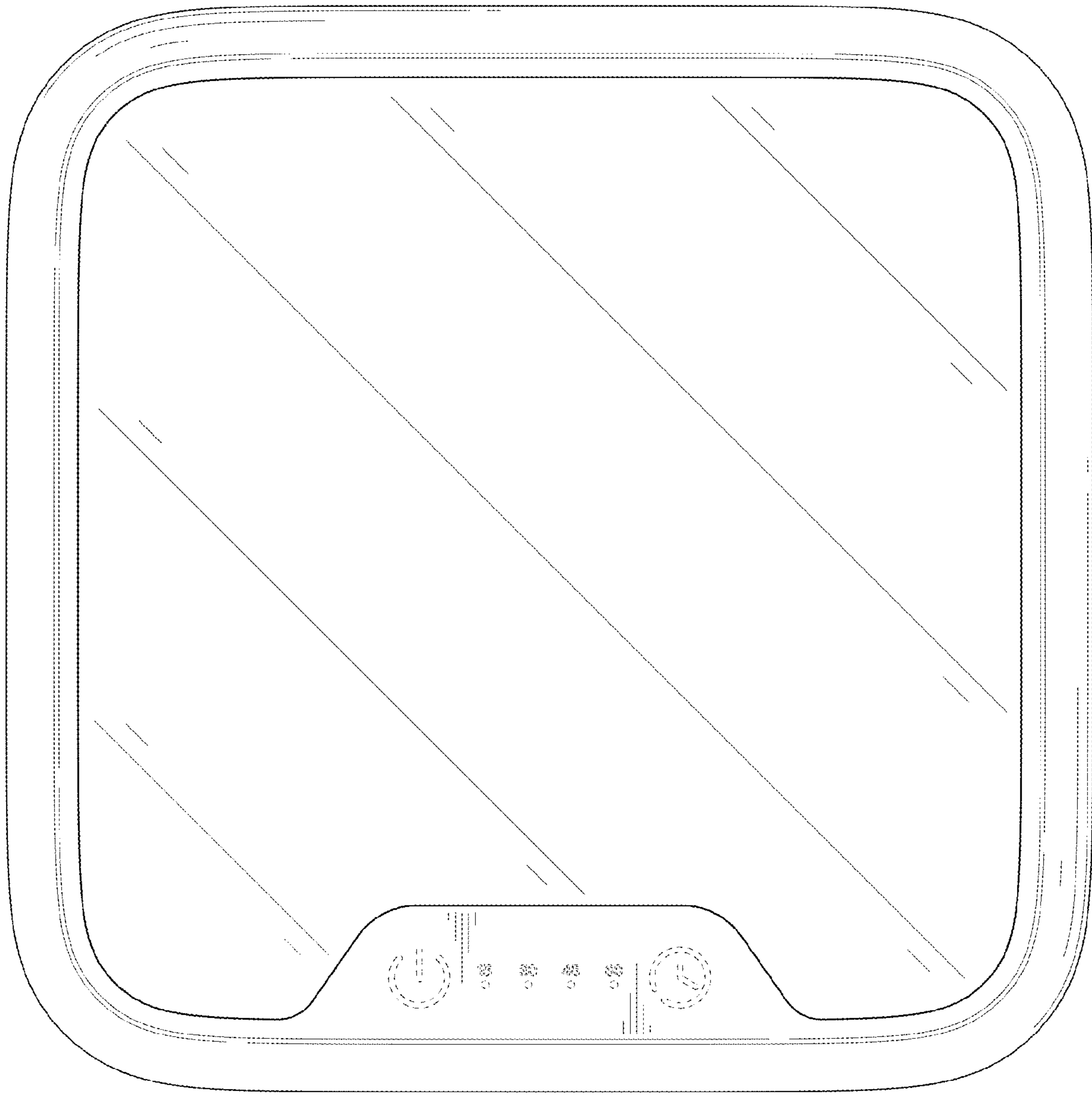


FIG. 3

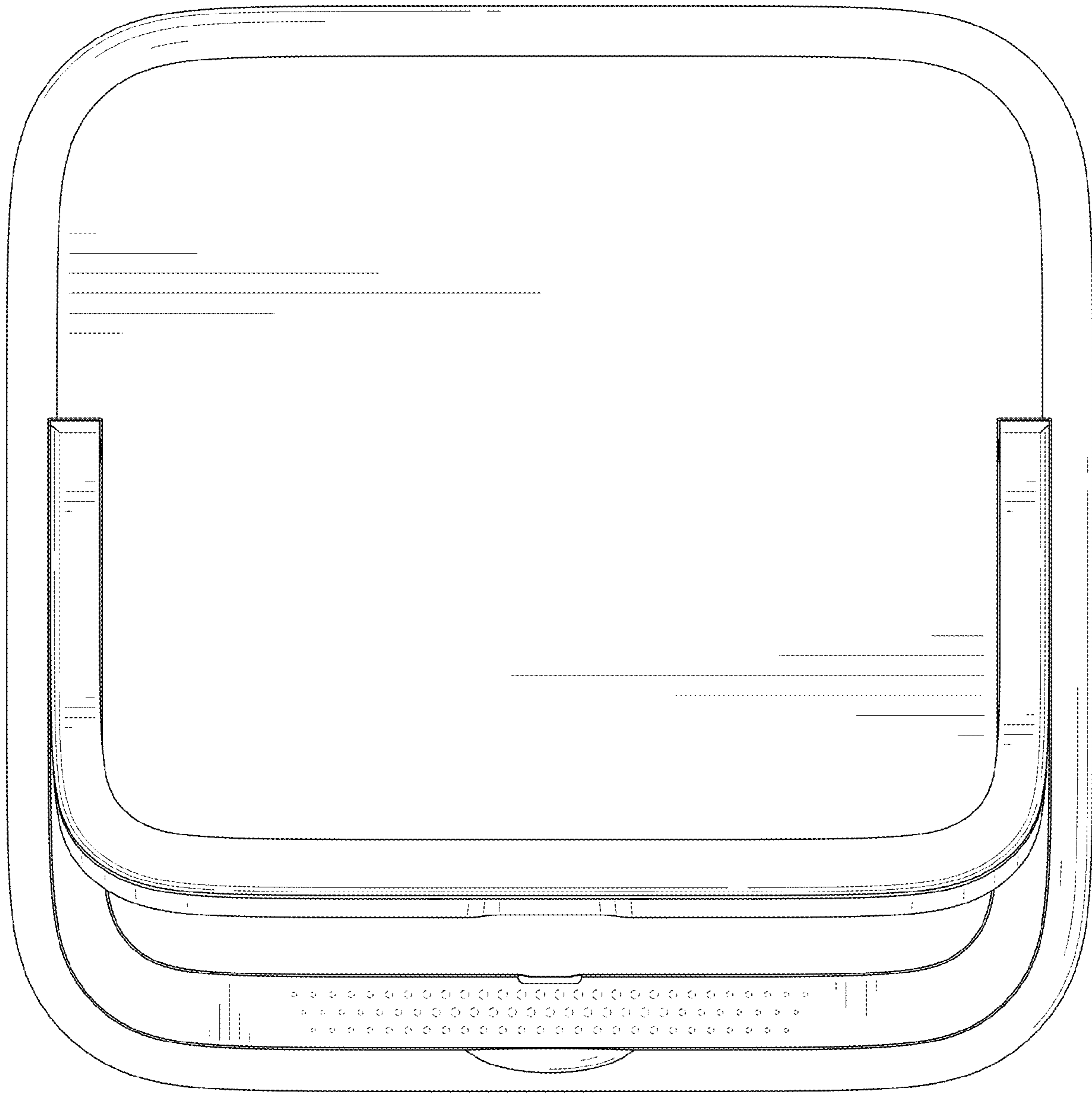


FIG. 4

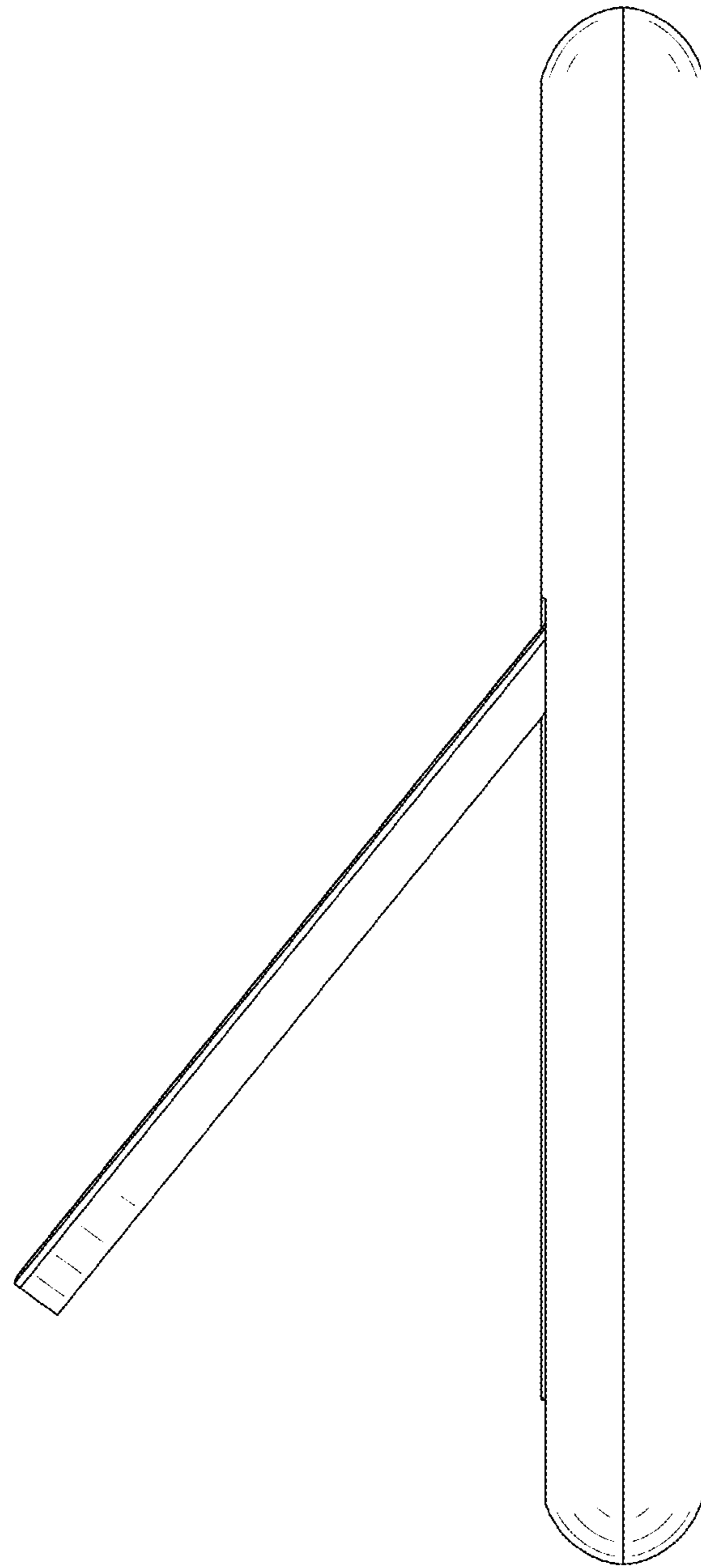


FIG. 5

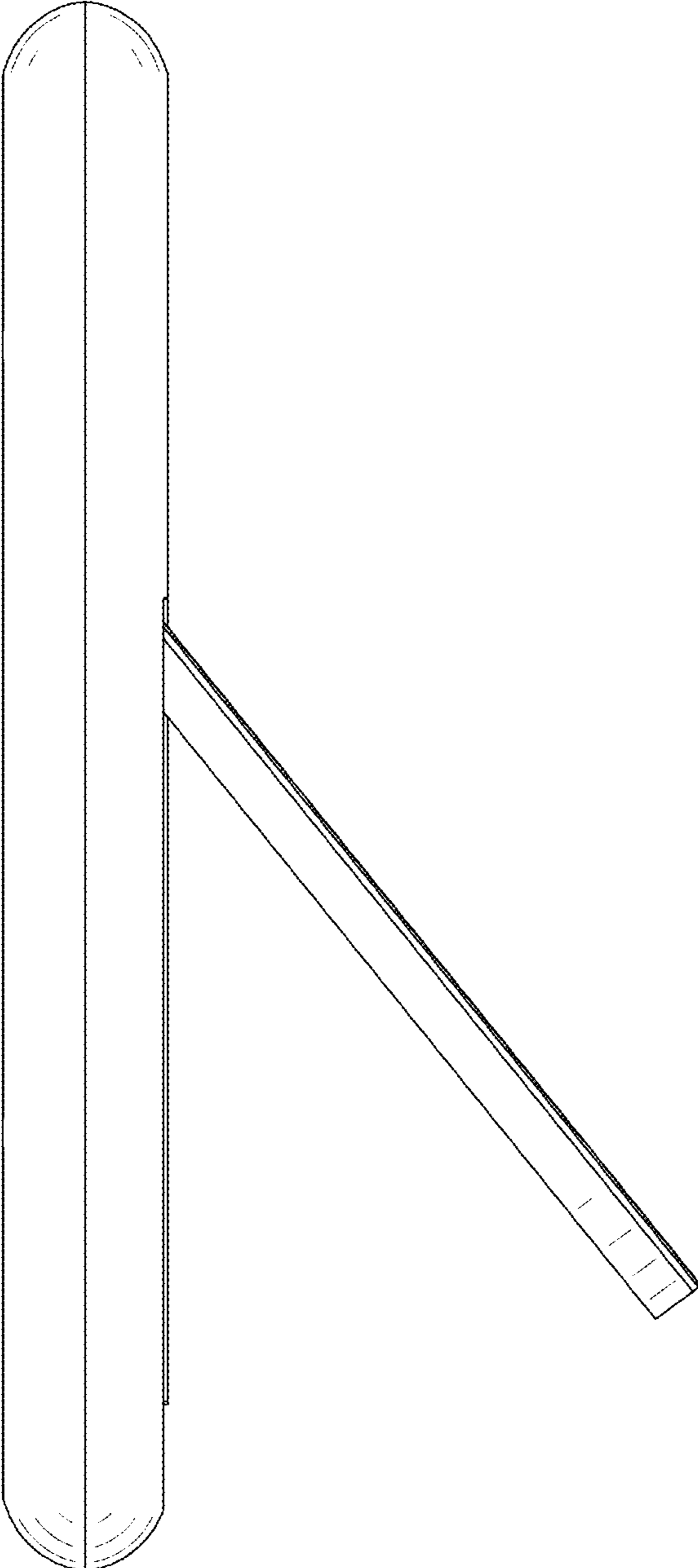


FIG. 6

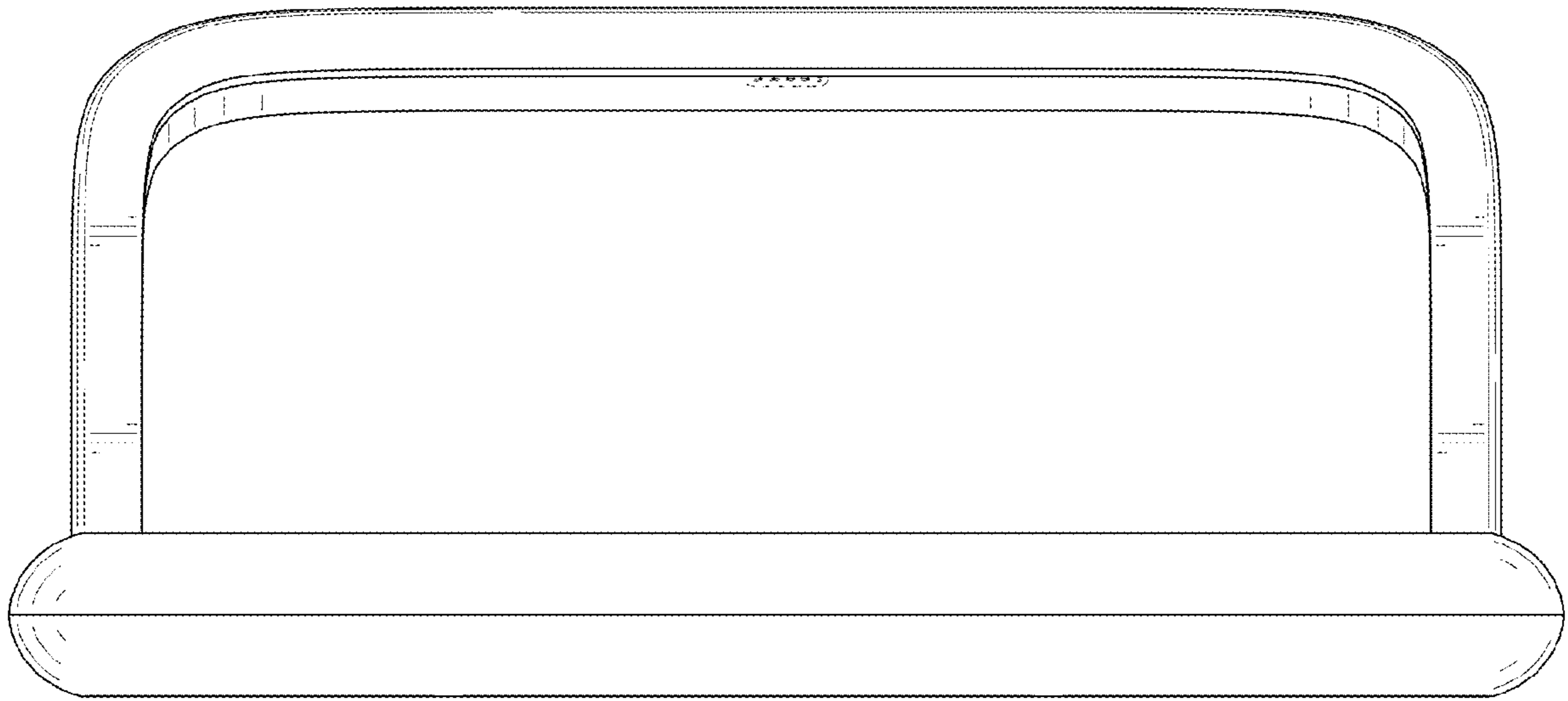


FIG. 7

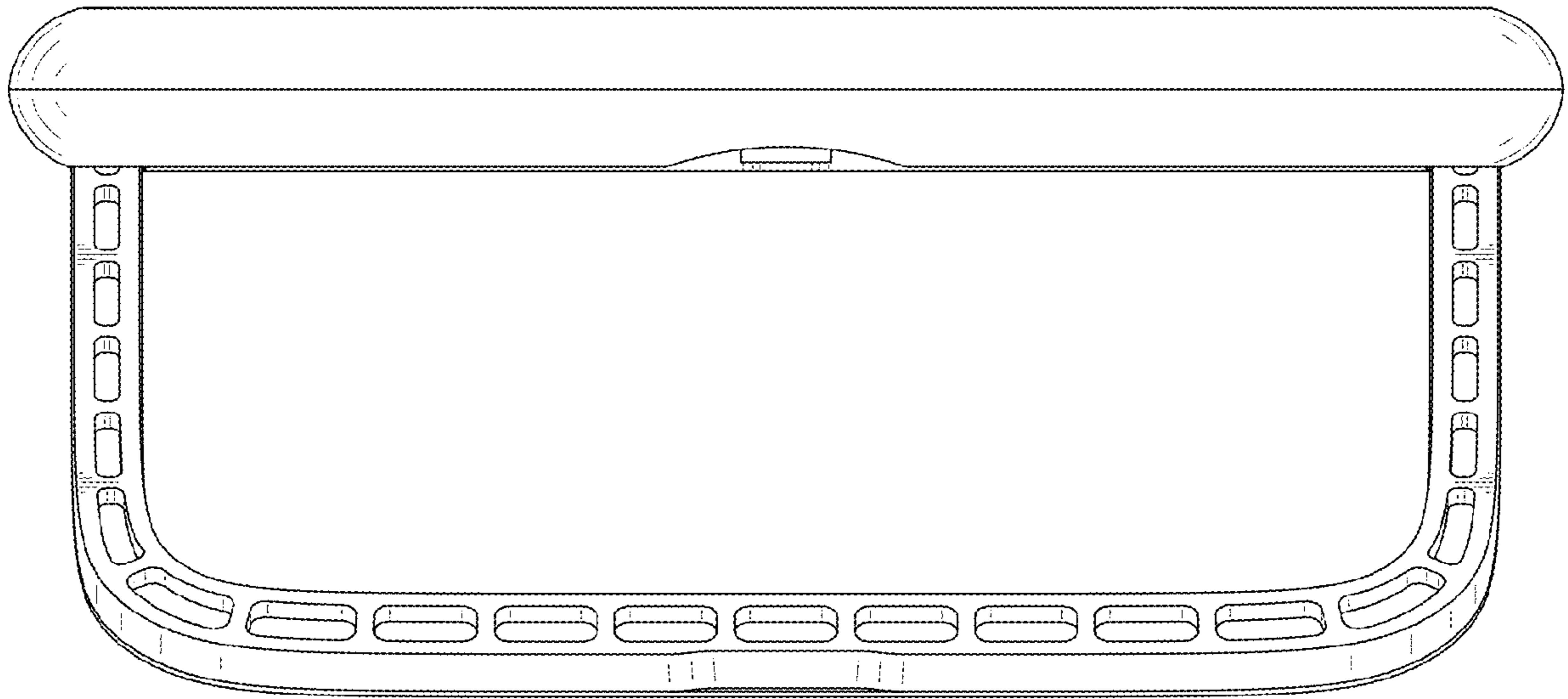


FIG. 8