



US00D949352S

(12) **United States Design Patent**
Jan

(10) **Patent No.:** **US D949,352 S**
(45) **Date of Patent:** **** Apr. 19, 2022**

(54) **PEDICURE SPA TUB**

(71) Applicant: **Foresee Sciencetech Ltd.**, Xiushui Township, Changhua County (TW)

(72) Inventor: **Danny Jan**, Xiushui Township (TW)

(73) Assignee: **Foresee Sciencetech Ltd.**, Xiushui Township (TW)

(**) Term: **15 Years**

(21) Appl. No.: **29/723,804**

(22) Filed: **Feb. 11, 2020**

(51) **LOC (13) Cl.** **23-02**

(52) **U.S. Cl.**
USPC **D24/204**

(58) **Field of Classification Search**
USPC D24/201–205, 213; D23/276–278, D23/280.1–280.3
CPC A61H 33/6005; A61H 33/6021; A61H 33/6089; A61H 33/6094; A61H 2035/004; A61H 35/006; A47K 3/022; A47K 3/062
See application file for complete search history.

(56) **References Cited**

U.S. PATENT DOCUMENTS

D622,858 S * 8/2010 Jan D24/204
D760,910 S * 7/2016 Jan D24/204

D846,135 S * 4/2019 Pham D24/204
D907,223 S * 1/2021 Jan D24/204
D914,900 S * 3/2021 Le D24/204
2019/0099326 A1 * 4/2019 Pham A61H 35/006

* cited by examiner

Primary Examiner — Anhdao Doan

(74) *Attorney, Agent, or Firm* — Karin L. Williams; Alan D. Kamrath; Mayer & Williams PC

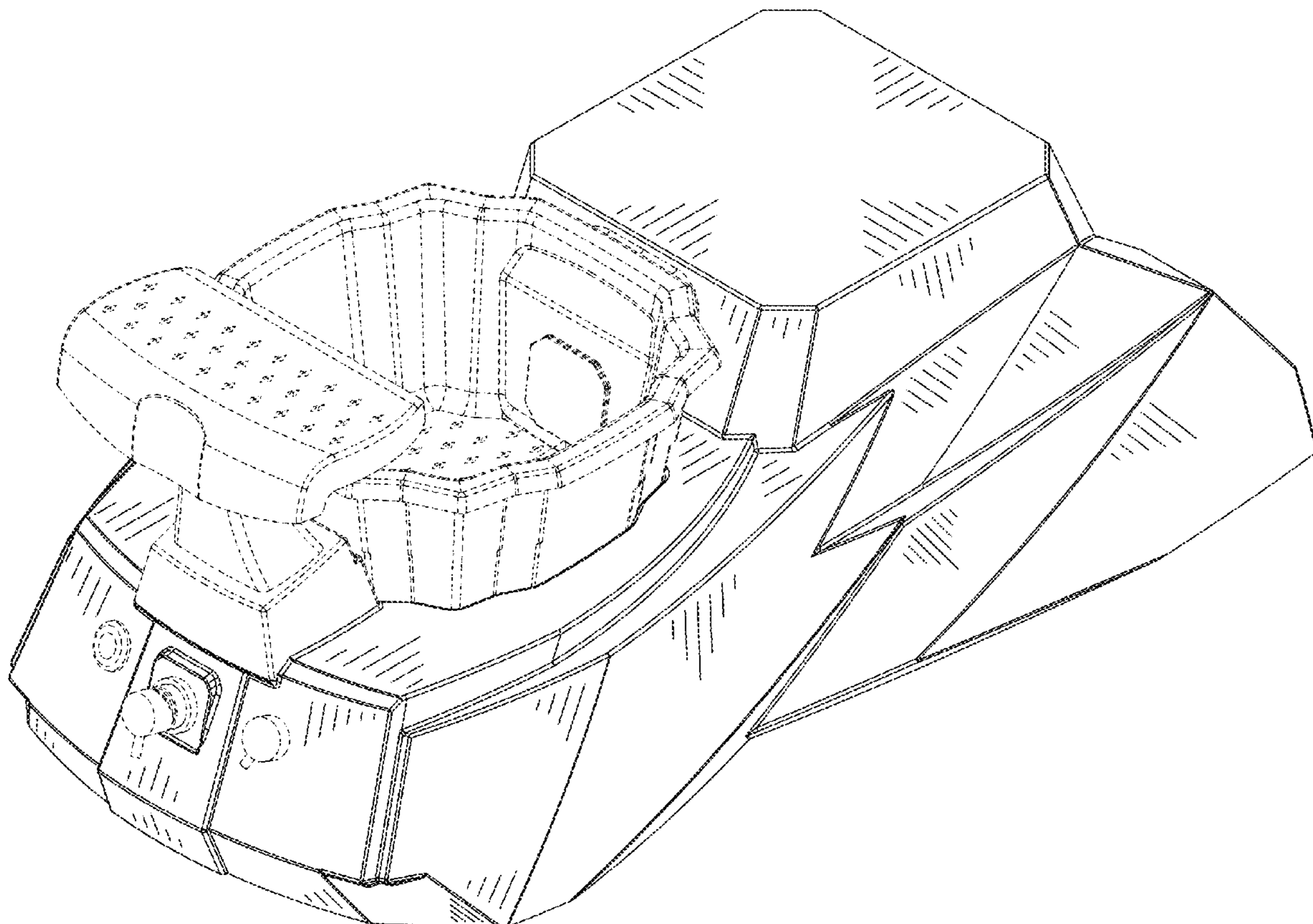
(57) **CLAIM**

The ornamental design for a pedicure spa tub, as shown and described.

DESCRIPTION

FIG. 1 is a perspective view of a pedicure spa tub showing my design;
FIG. 2 is a front elevational view thereof;
FIG. 3 is a rear elevational view thereof;
FIG. 4 is a left side elevational view thereof;
FIG. 5 is a right side elevational view thereof;
FIG. 6 is a top plan view thereof; and,
FIG. 7 is a bottom plan view thereof.
The broken lines in the drawings depict portions of the pedicure spa tub that form no part of the claimed design.

1 Claim, 7 Drawing Sheets



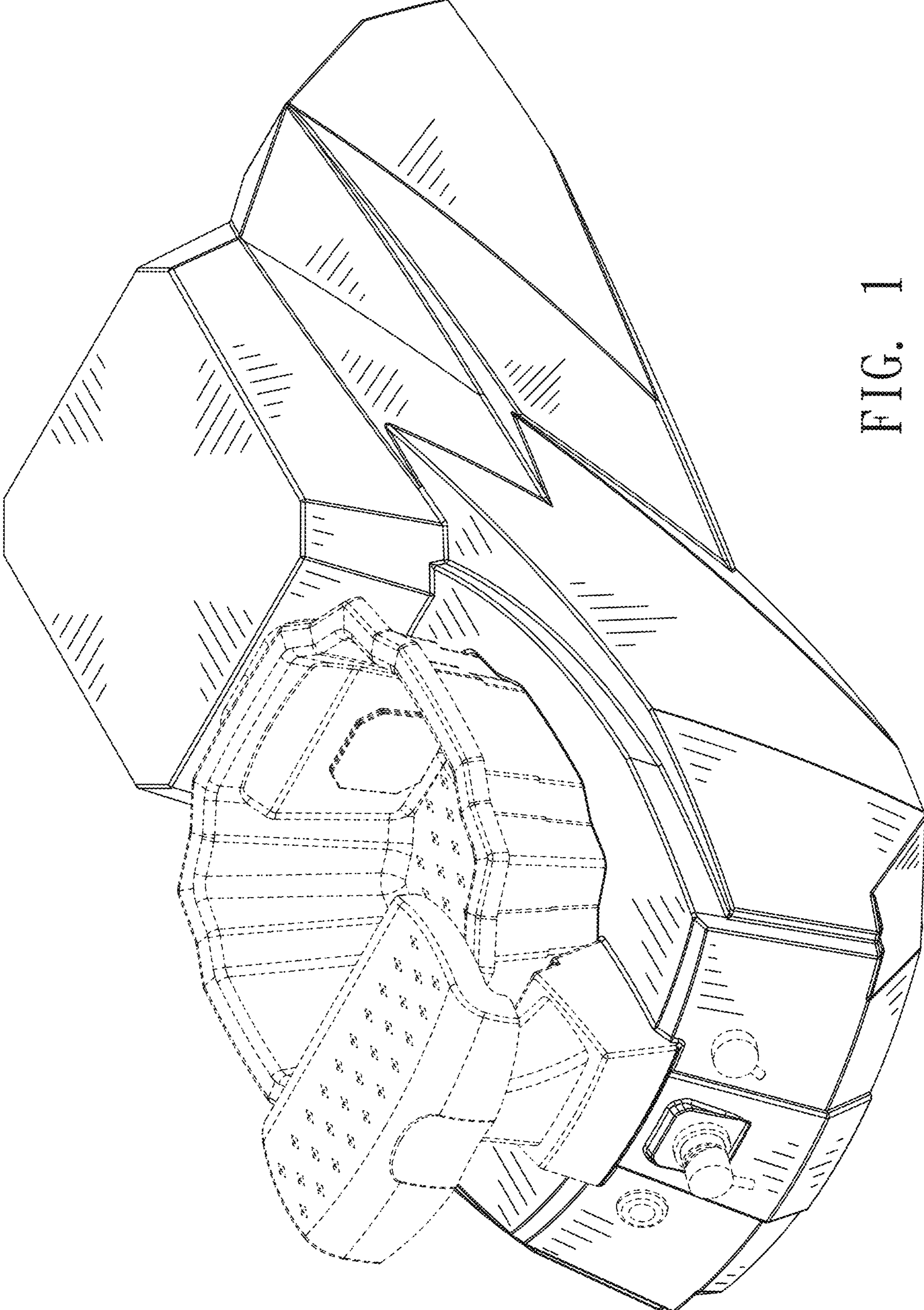


FIG. 1

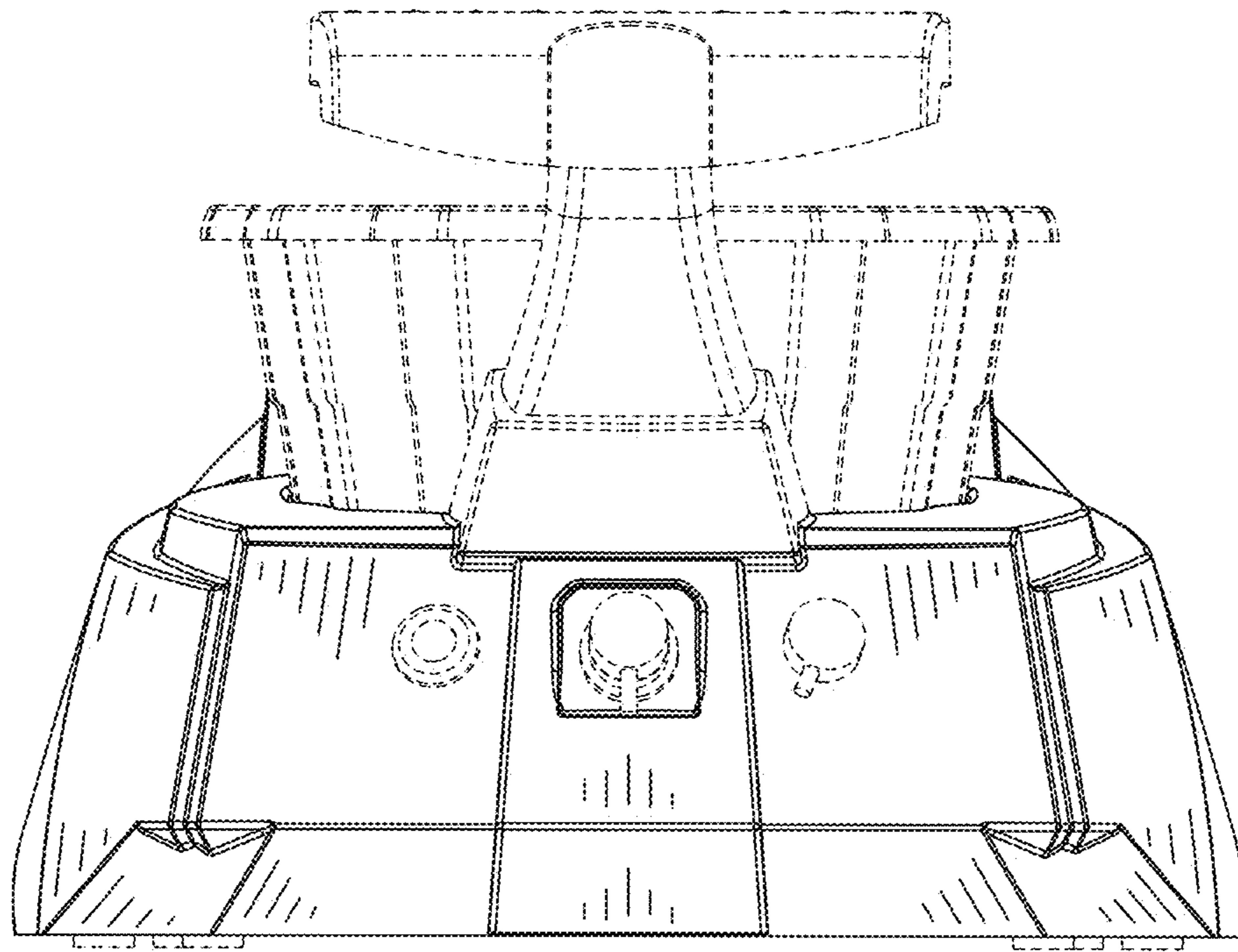


FIG. 2

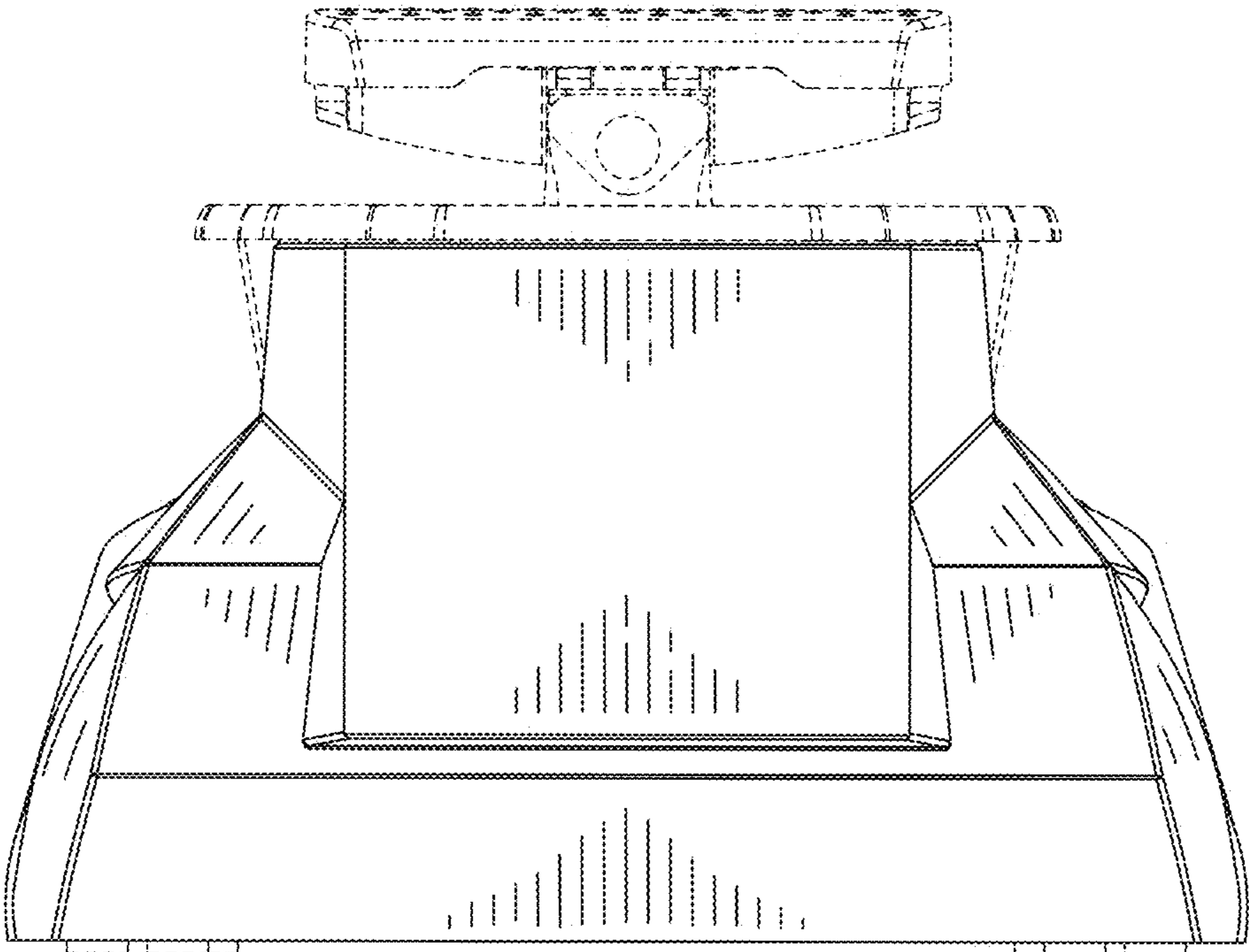


FIG. 3

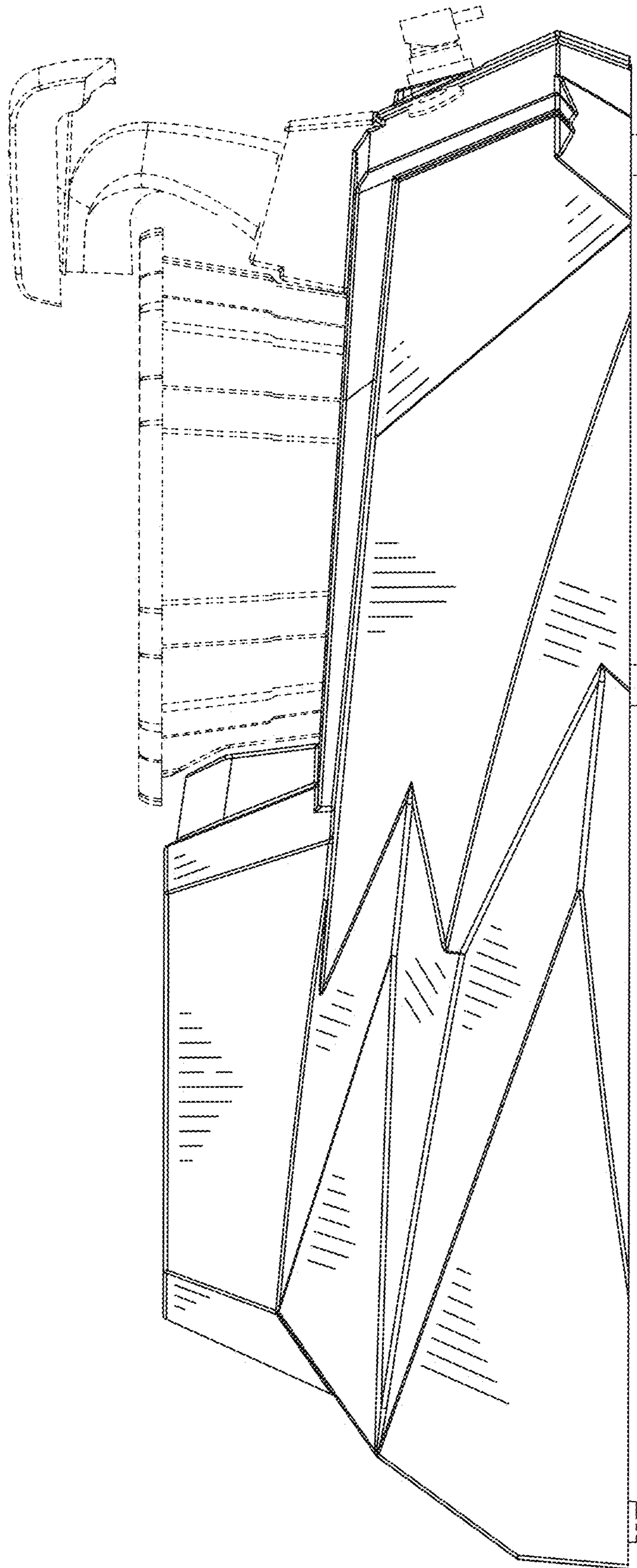


FIG. 4

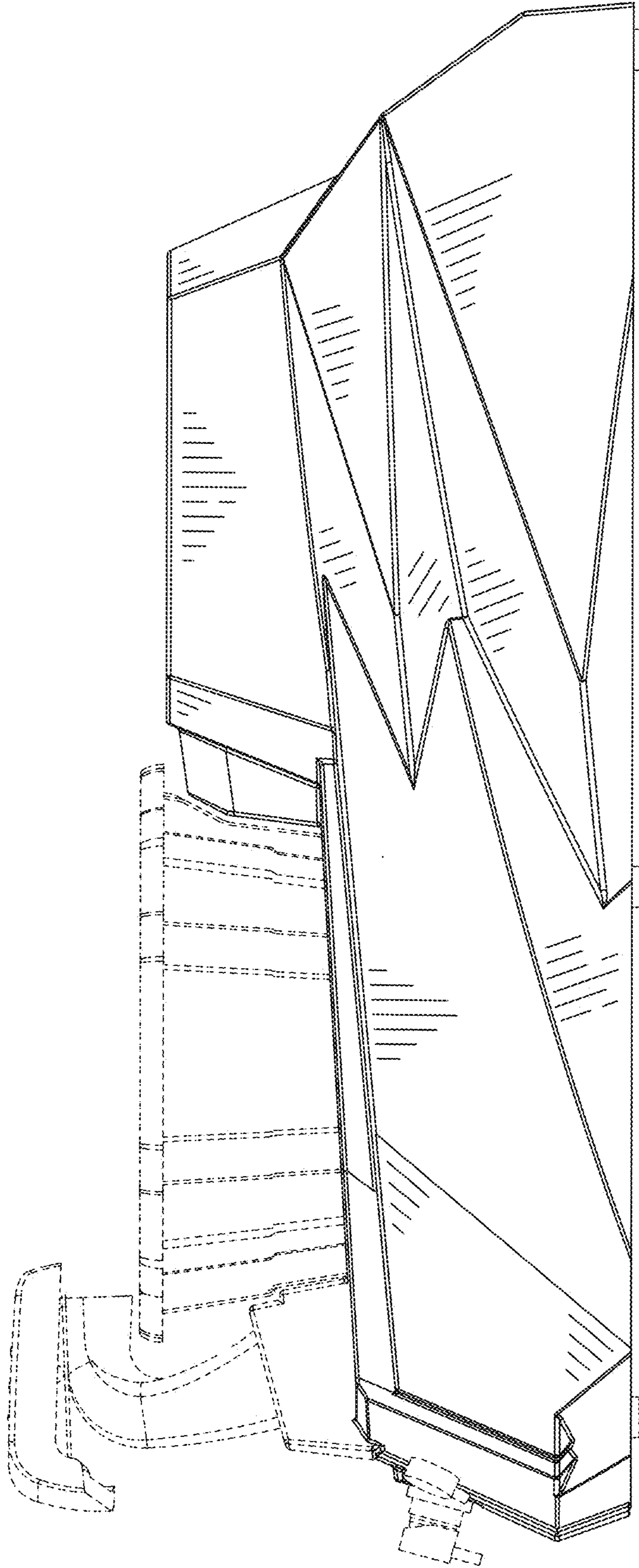


FIG. 5

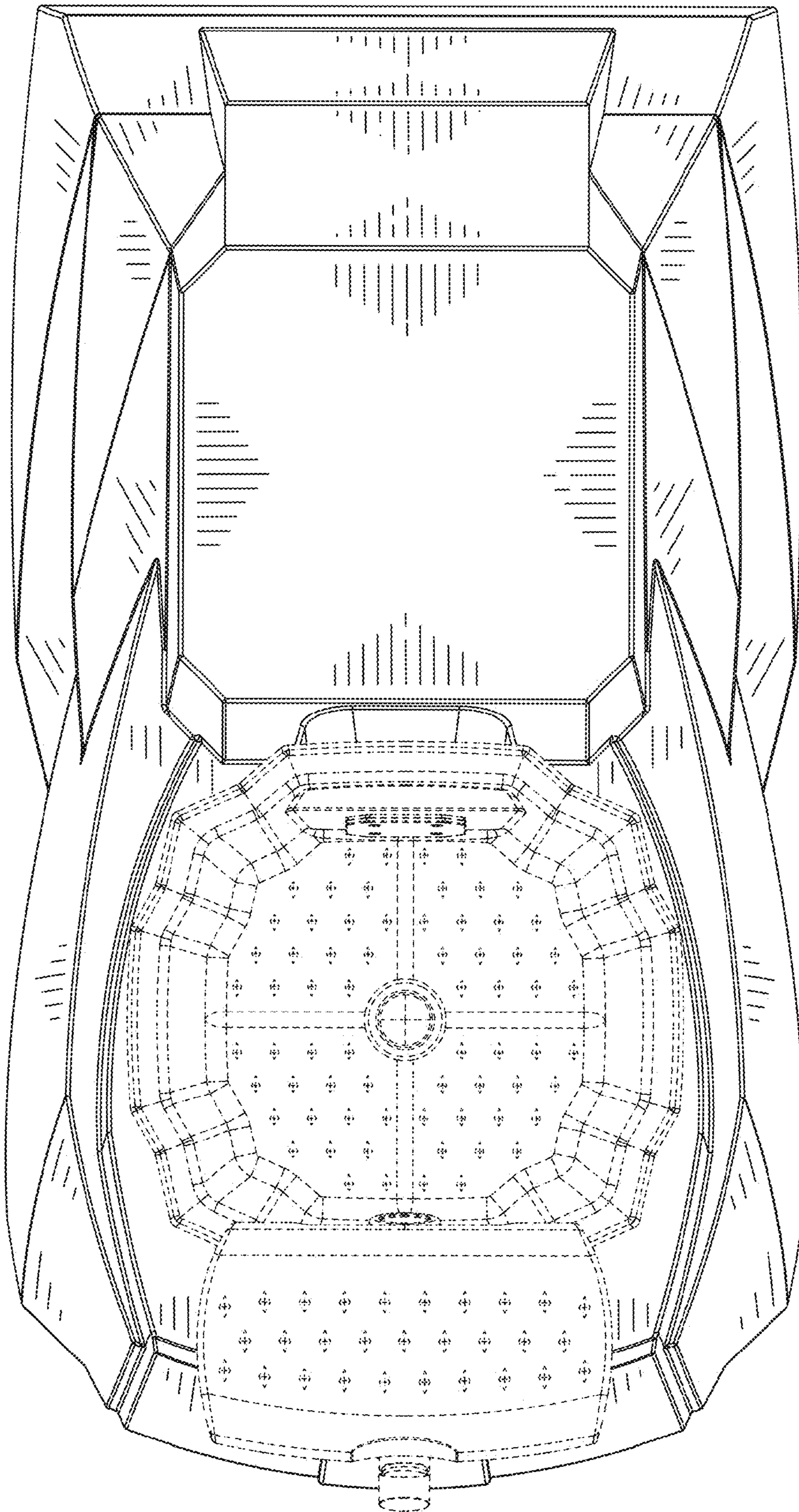


FIG. 6

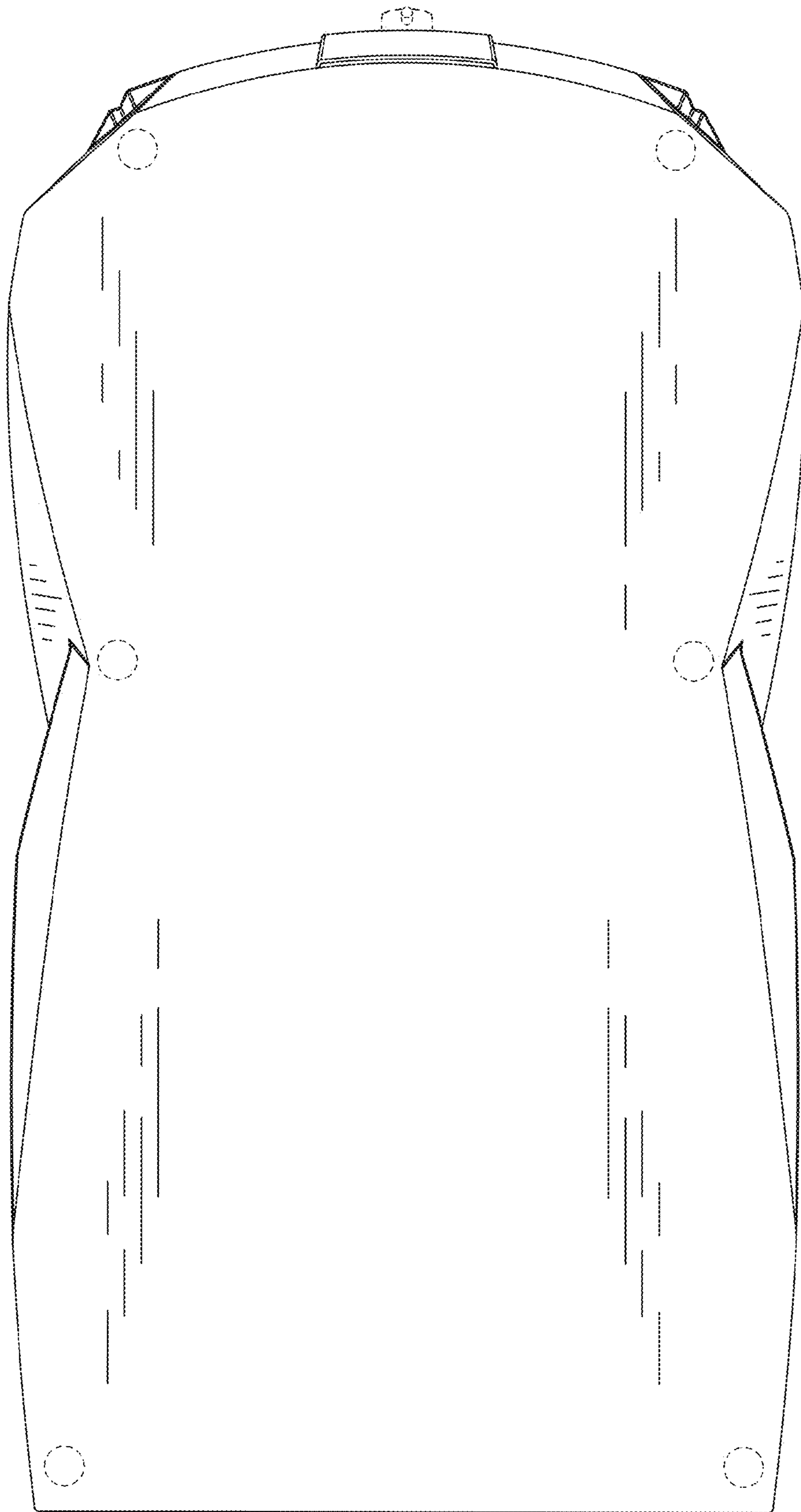


FIG. 7