



US00D949350S

(12) **United States Design Patent**
Xu

(10) **Patent No.:** **US D949,350 S**

(45) **Date of Patent:** **** Apr. 19, 2022**

(54) **POSTOPERATIVE LUMBAR SPINE FAT
COMPRESSION SHAPING PLATE**

(71) Applicant: **Zhennan Xu**, Hong Kong (CN)

(72) Inventor: **Zhennan Xu**, Hong Kong (CN)

(73) Assignee: **HEXIN HOLAING LIMITED**, Hong
Kong (HK)

(**) Term: **15 Years**

(21) Appl. No.: **29/782,748**

(22) Filed: **May 8, 2021**

(51) **LOC (13) Cl.** **24-02**

(52) **U.S. Cl.**
USPC **D24/190**

(58) **Field of Classification Search**
USPC D24/188–190, 183, 184; D6/595–601,
D6/604–605, 705, 705.4, 705.7, 608;
D21/803, 809, 804, 805
CPC A47G 2009/1018; A47G 2009/003; A47G
9/0253; A47G 9/10; A47G 9/1027; A47G
9/1072; A47G 9/1081; A47G 9/109; A45F
4/06; A47C 21/06; A47C 7/18; A47C
20/00; A47C 17/80; A47C 17/82; A47C
17/64; A47C 27/00; A47C 27/14; A47C
23/00

See application file for complete search history.

(56) **References Cited**

U.S. PATENT DOCUMENTS

D281,210 S	*	11/1985	Roberts	D6/601
D285,512 S	*	9/1986	Bool	D6/596
D292,767 S	*	11/1987	Challen	D6/596
D295,248 S	*	4/1988	Sommerfield	D6/601
D309,689 S	*	8/1990	Bool	D6/601
D311,295 S	*	10/1990	Roberts	D6/601
D316,204 S	*	4/1991	Goodale	D6/601

D337,824 S	*	7/1993	Campbell	D24/190
D420,844 S	*	2/2000	Keilhauer	D6/601
D442,005 S	*	5/2001	Boese	D6/354
D471,041 S	*	3/2003	Passwater	D6/356
D473,037 S	*	4/2003	Williams	D2/719
D474,059 S	*	5/2003	Cartwright	D6/601
D482,558 S	*	11/2003	Kancilja	D6/601
D587,951 S	*	3/2009	Long	D6/601
D595,526 S	*	7/2009	Mills	D6/601
D595,859 S	*	7/2009	Young	
D598,637 S	*	8/2009	Schildkraut	
D612,897 S	*	3/2010	Lamont	D21/686
D614,253 S	*	4/2010	Hadley	D21/791

(Continued)

OTHER PUBLICATIONS

Lipo foam lumbar molder, [site visited Dec. 28, 2021]. Available from Internet. URL: <https://www.amazon.com/Lumbar-Molder-Surgical-Liposuction-Board/dp/B07PW8N66W> (Year: 2021).*

(Continued)

Primary Examiner — T Chase Nelson

Assistant Examiner — Kelly L Gross

(57)

CLAIM

The ornamental design for a postoperative lumbar spine fat compression shaping plate, as shown and described.

DESCRIPTION

FIG. 1 is a front perspective view of a postoperative lumbar spine fat compression shaping plate showing my new design;

FIG. 2 is a front elevation view thereof;

FIG. 3 is a rear elevation view thereof;

FIG. 4 is a left side elevation view thereof;

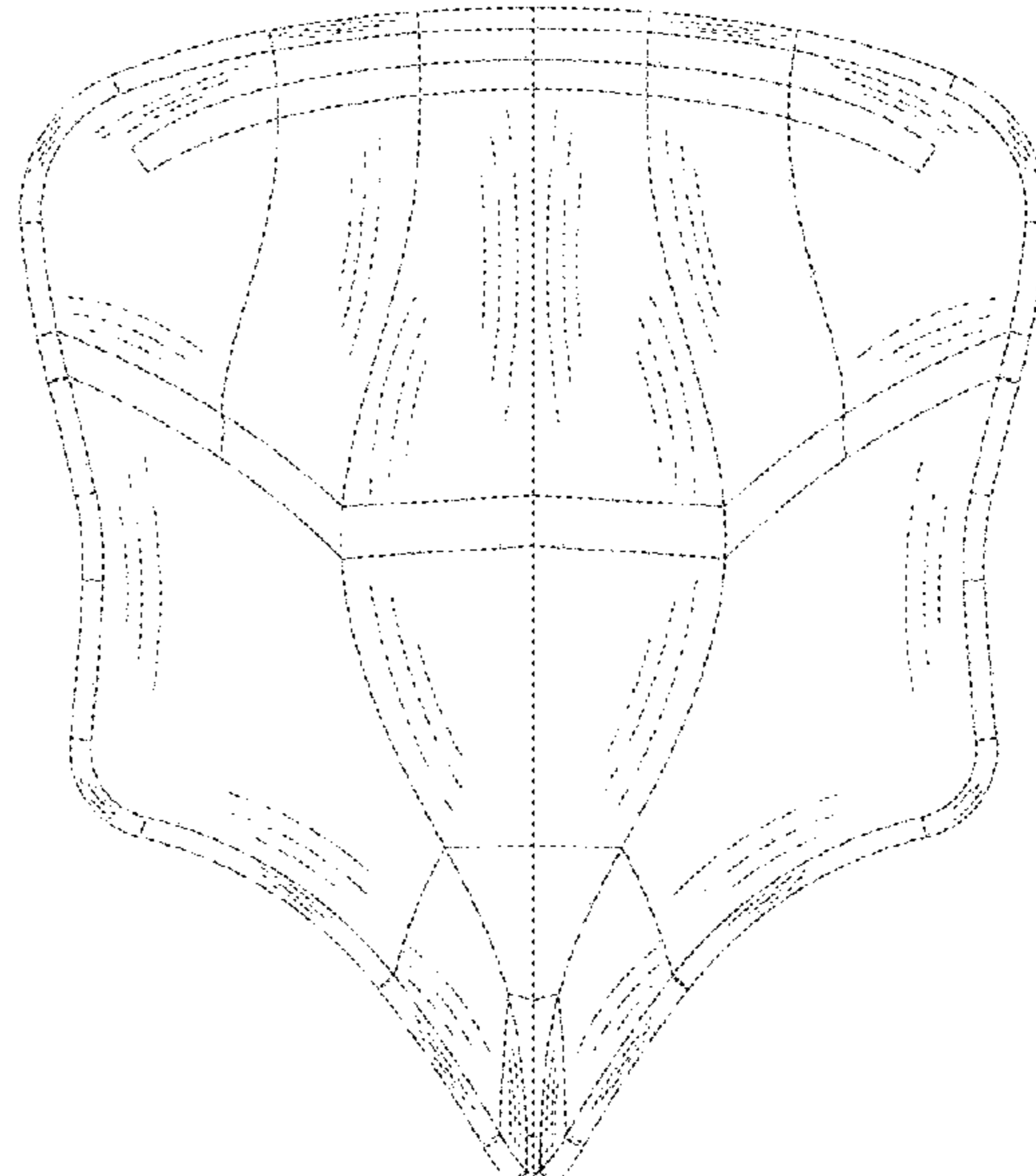
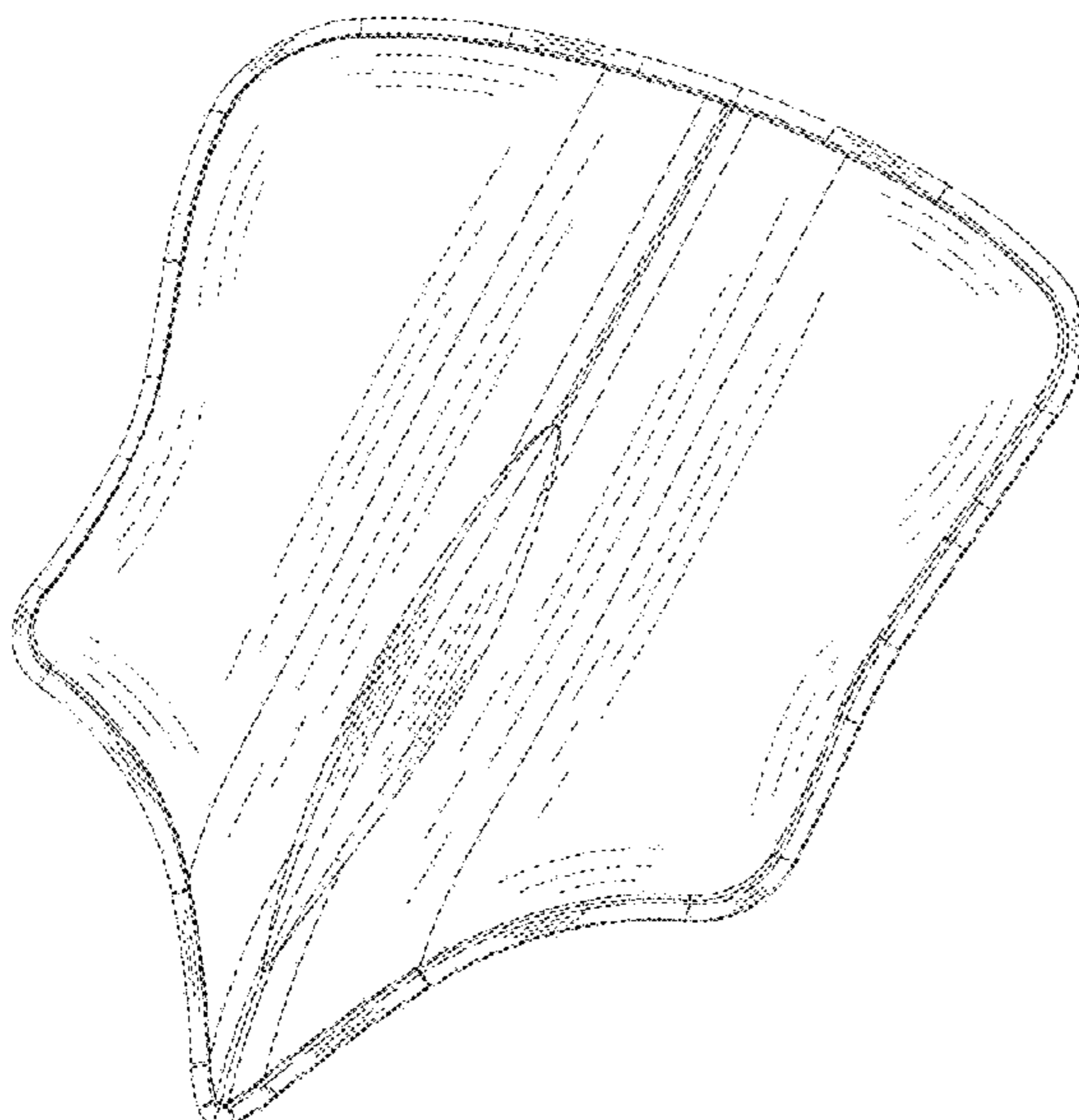
FIG. 5 is a right side elevation view thereof;

FIG. 6 is a top plan view thereof;

FIG. 7 is a bottom plan view thereof; and,

FIG. 8 is a rear perspective view thereof.

1 Claim, 8 Drawing Sheets



(56)

References Cited

U.S. PATENT DOCUMENTS

D616,689 S * 6/2010 Luo D6/601
 D633,622 S * 3/2011 Chiang
 D642,846 S * 8/2011 Parish D6/601
 D662,749 S * 7/2012 Cohen D6/601
 D667,798 S * 9/2012 Burwell D13/168
 D674,643 S * 1/2013 Fendley D6/601
 D695,365 S * 12/2013 Ban D21/662
 D702,847 S * 4/2014 Arsenault D24/206
 D706,109 S * 6/2014 McGarrity A47K 13/10
 D8/307
 D715,579 S * 10/2014 Scarlett D6/601
 D725,281 S * 3/2015 Shamaiengar D24/183
 D726,450 S * 4/2015 Wootten, Jr. D6/601
 D726,451 S * 4/2015 Lee D6/601
 D732,313 S * 6/2015 Fux D6/601
 D740,381 S * 10/2015 Heath D21/688
 D746,620 S * 1/2016 King D6/682
 D749,230 S * 2/2016 Safko et al.
 D750,183 S * 2/2016 Heath D21/686
 D759,403 S * 6/2016 Covelli D6/601
 D761,041 S * 7/2016 Batiste D6/601
 D768,410 S * 10/2016 Jennings D6/601
 D774,791 S * 12/2016 Toll D6/354
 D775,484 S * 1/2017 Moore D6/601
 D780,485 S * 3/2017 Goddard D6/601
 D781,076 S * 3/2017 Stokes D6/601
 D781,615 S * 3/2017 Parman D6/604
 D782,849 S * 4/2017 Goddard D6/601
 D784,546 S * 4/2017 Gordon
 D788,493 S * 6/2017 Parman D6/604
 D790,255 S * 6/2017 Mi D6/601
 D798,634 S * 10/2017 Sprouse, II D6/601
 D803,958 S * 11/2017 Clark D21/687
 D804,850 S * 12/2017 Acosta De Nicolo D6/601
 D805,590 S * 12/2017 Heath D21/688
 D809,321 S * 2/2018 Bell D6/601
 D812,931 S * 3/2018 Chen D6/601
 D815,218 S * 4/2018 Osler D21/694
 D815,859 S * 4/2018 Jewell D6/601
 D825,072 S * 8/2018 Confer D24/206
 D825,762 S * 8/2018 Ballsieper D24/158
 D830,554 S * 10/2018 Ballsieper D24/158

D834,717 S * 11/2018 Lane D24/183
 D843,133 S * 3/2019 Cohen D6/601
 D843,134 S * 3/2019 Goddard D6/601
 D844,346 S * 4/2019 Chen D6/601
 D849,856 S * 5/2019 Publicover D21/688
 D850,156 S * 6/2019 Chen D6/601
 D853,152 S * 7/2019 Chen D6/601
 D855,814 S * 8/2019 Bauerfeind D24/190
 D859,886 S * 9/2019 Baeseman D6/601
 D860,466 S * 9/2019 Chiang et al.
 D863,824 S * 10/2019 Comercio D6/601
 D864,612 S * 10/2019 Castellano D6/601
 D875,261 S * 2/2020 Liu
 D876,124 S * 2/2020 Miura D6/601
 D878,105 S * 3/2020 Marinkovic D6/601
 D880,195 S * 4/2020 Yang D6/601
 D887,176 S * 6/2020 Nielsen D6/601
 D890,536 S * 7/2020 Schnermann D6/361
 10,758,773 B2 * 9/2020 Clark A47G 27/0212
 D898,390 S * 10/2020 Radenbaugh D6/354
 D898,428 S * 10/2020 Huang D6/601
 D906,019 S * 12/2020 Echert D6/611
 D907,942 S * 1/2021 You D6/601
 D909,547 S * 2/2021 Vanden Bosch D23/304
 D919,331 S * 5/2021 Feng D6/601
 D922,797 S * 6/2021 Liu D6/601
 11,051,640 B2 * 7/2021 Kang A47G 9/109
 D927,615 S * 8/2021 Leier D21/695
 D929,154 S * 8/2021 Yan D6/601
 11,097,149 B2 * 8/2021 Wagner A63B 21/4039
 D931,012 S * 9/2021 Ouyang A47G 27/0212
 D6/601
 D934,592 S * 11/2021 Yu D6/601
 2013/0191998 A1 * 8/2013 Wootten, Jr. A47G 9/10
 5/636

OTHER PUBLICATIONS

Lumbar Molder Liposuction Back Board, [site visited Dec. 28, 2021]. Available from Internet. URL: https://www.amazon.com/Liposuction-Supplies-Comfortable-Protection-Compression/dp/B086V2RJ61/ref=cm_cr_ar_p_d_product_top?ie=UTF8 (Year: 2021).*

* cited by examiner

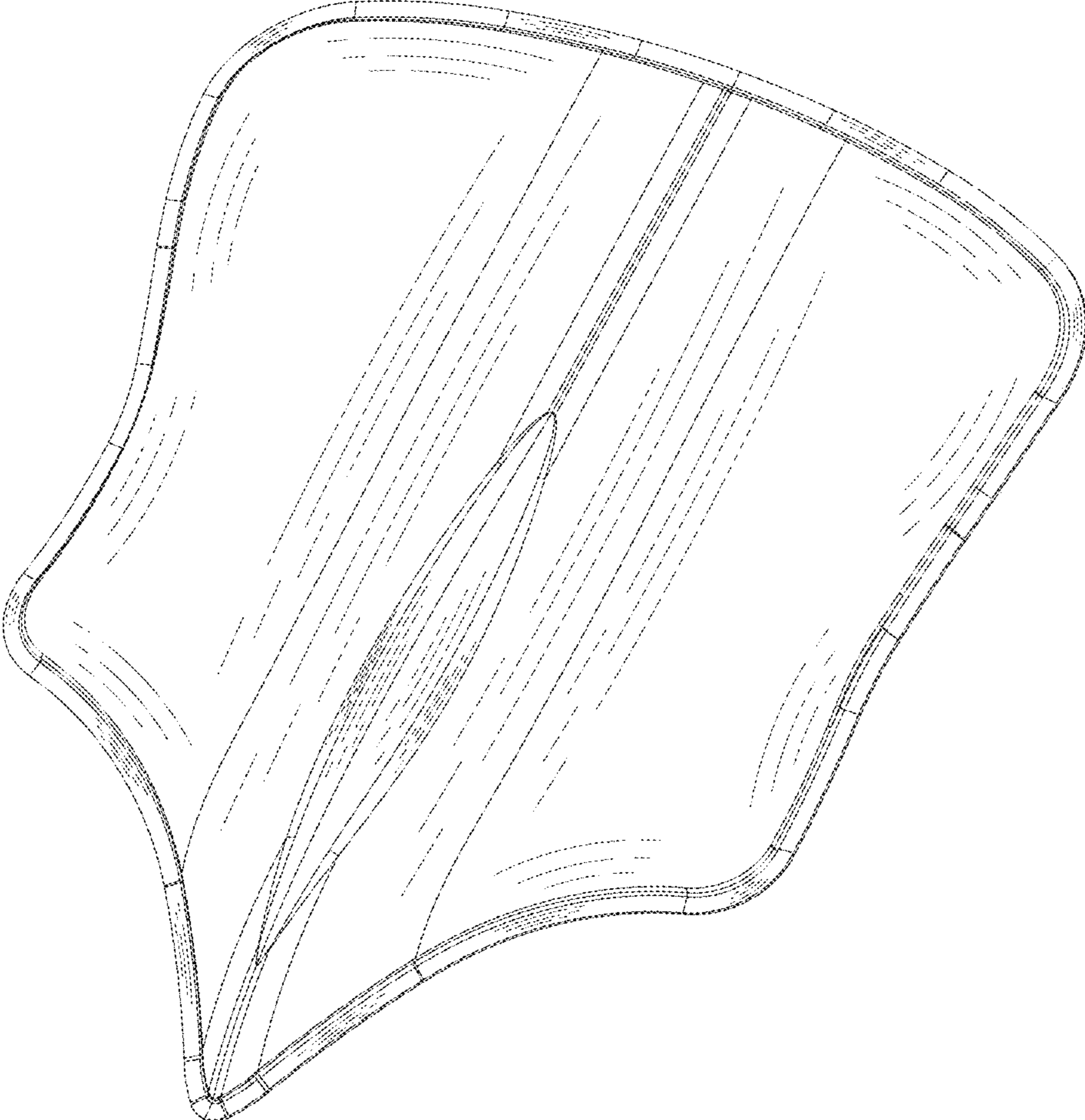


FIG. 1

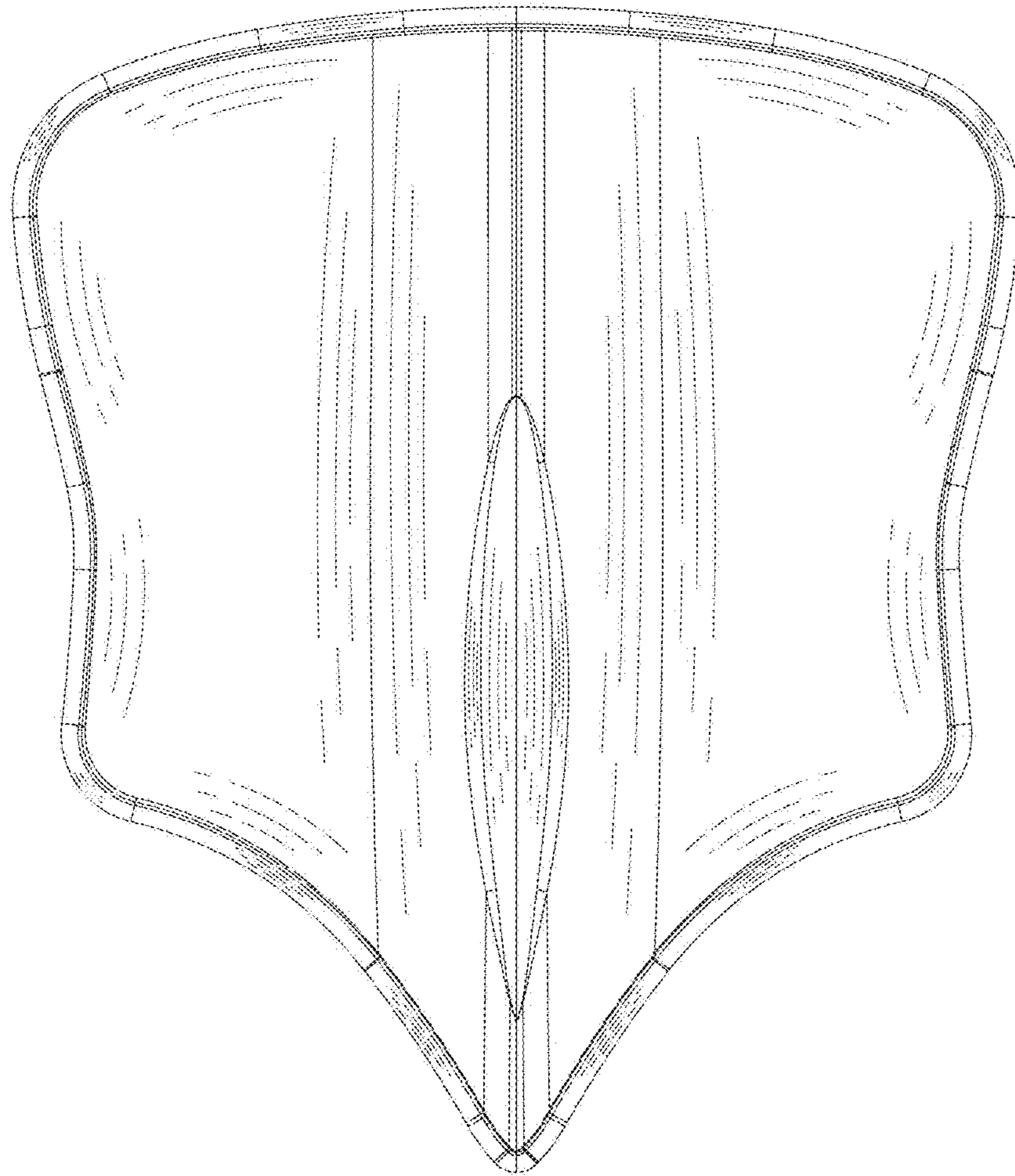


FIG. 2

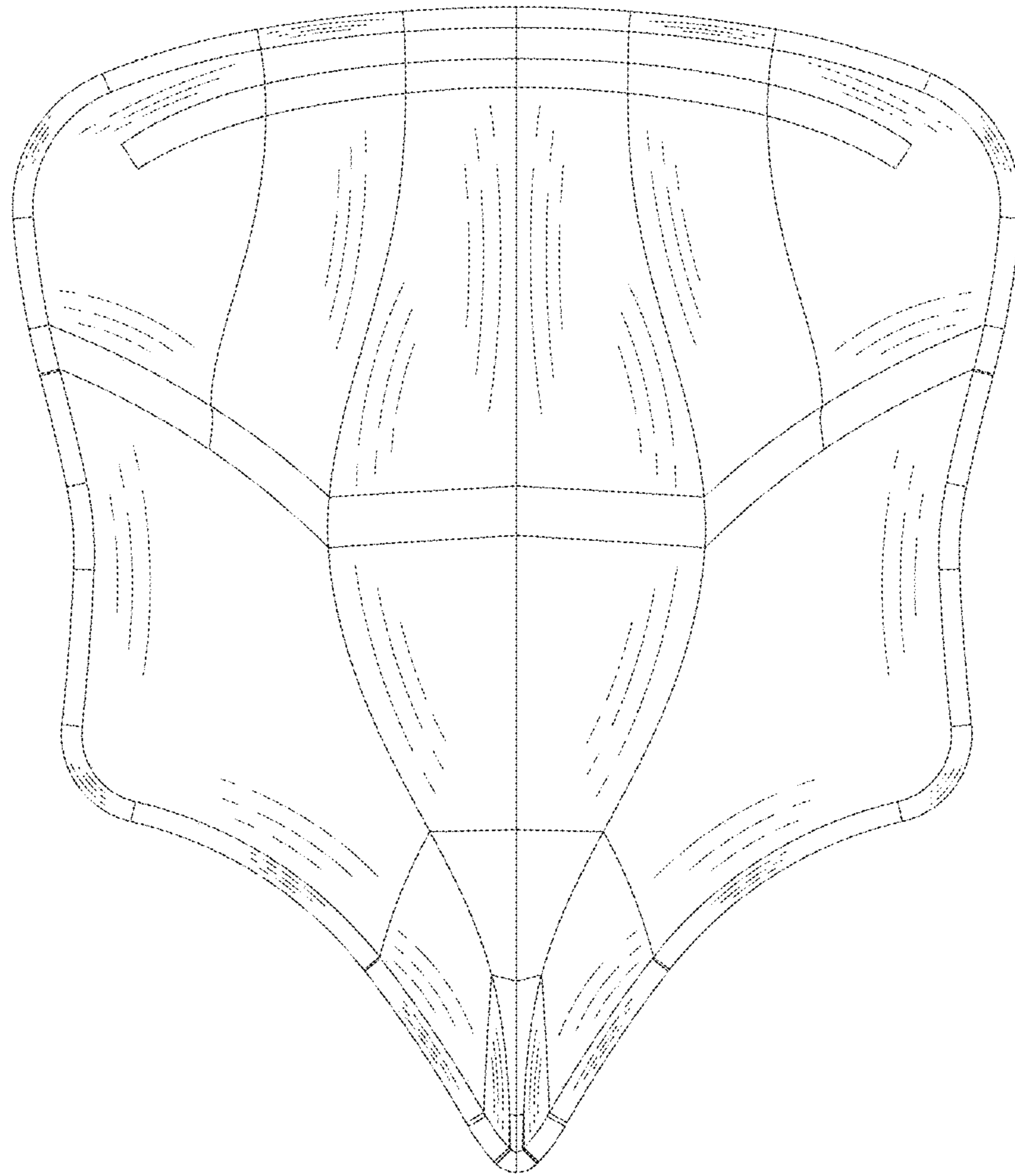


FIG. 3

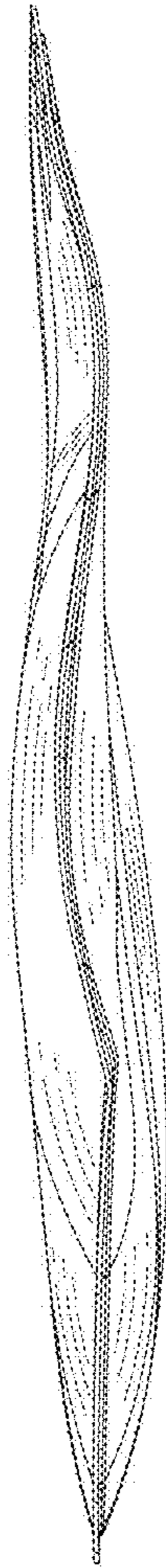


FIG. 4

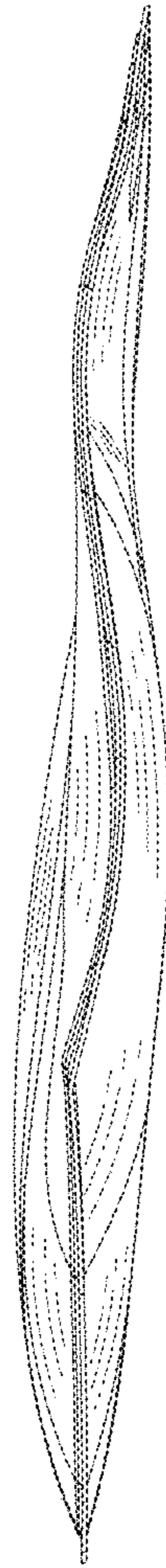


FIG. 5

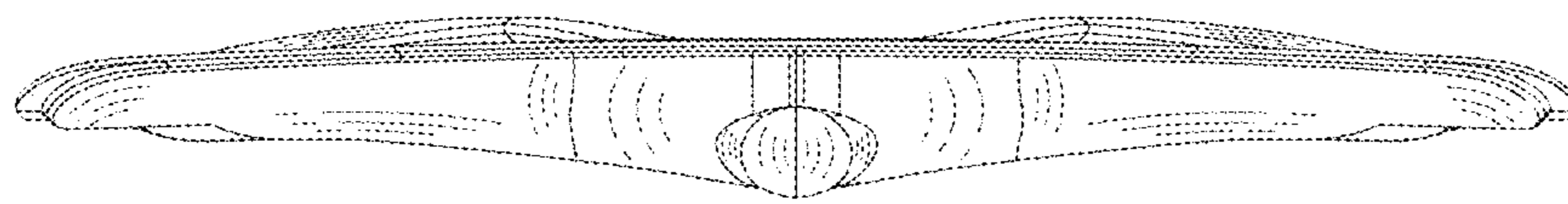


FIG. 6

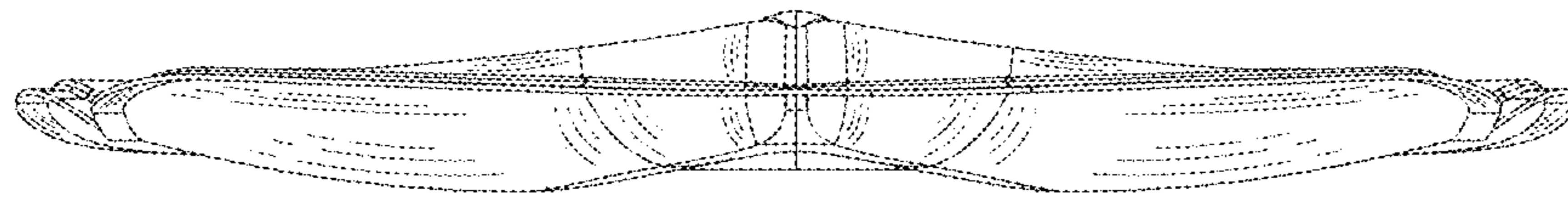


FIG. 7

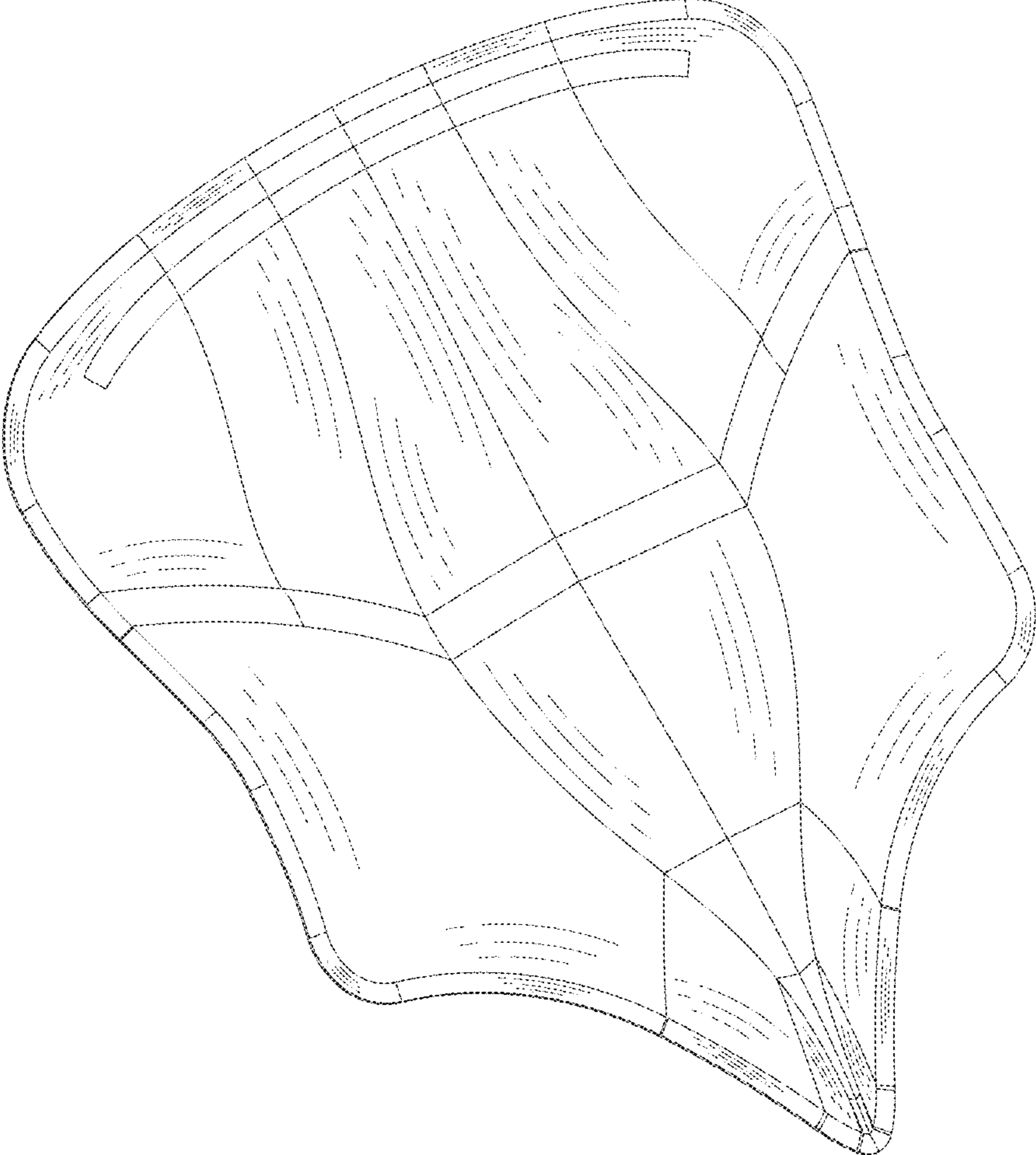


FIG. 8