



US00D949349S

(12) **United States Design Patent** (10) **Patent No.:** **US D949,349 S**  
**Reinero** (45) **Date of Patent:** **\*\* Apr. 19, 2022**

(54) **BACK BRACE**  
(71) Applicant: **David A. Reinero**, Columbia, MO (US)  
(72) Inventor: **David A. Reinero**, Columbia, MO (US)  
(\*\*) Term: **15 Years**  
(21) Appl. No.: **29/742,311**

(22) Filed: **Aug. 17, 2020**  
(51) **LOC (13) Cl.** ..... **24-02**  
(52) **U.S. Cl.**  
USPC ..... **D24/190**  
(58) **Field of Classification Search**  
USPC ..... D24/188-191, 100, 101.1, 101.2, 101.3  
CPC .. A61F 5/026; A61F 5/028; A61F 5/02; A61F  
5/0193  
See application file for complete search history.

(56) **References Cited**

**U.S. PATENT DOCUMENTS**

796,623 A \* 8/1905 Bailey ..... A61F 5/026  
2/45  
2,973,030 A \* 2/1961 Matthewson ..... A61F 5/055  
297/393  
3,420,230 A \* 1/1969 Ballard ..... A61F 5/024  
602/36  
3,620,211 A \* 11/1971 Goodell ..... A61F 5/05883  
602/6  
5,135,470 A \* 8/1992 Reeves ..... A61F 5/026  
2/44  
5,685,831 A \* 11/1997 Floyd ..... A61F 5/026  
2/45  
D501,906 S \* 2/2005 Woods ..... D21/805  
7,654,972 B2 \* 2/2010 Alleyne ..... A61F 5/026  
602/19  
D646,394 S \* 10/2011 Tweardy ..... D24/190  
9,687,378 B1 \* 6/2017 Titen ..... A61F 5/026  
D888,260 S \* 6/2020 Park ..... D24/190  
10,918,559 B2 \* 2/2021 Romo ..... A61H 1/0274

2010/0204629 A1 \* 8/2010 Specht ..... A61F 5/028  
602/19  
2013/0296756 A1 \* 11/2013 Troncoso ..... A61F 5/026  
602/19  
2014/0100501 A1 \* 4/2014 Burke ..... A61F 5/028  
602/19  
2019/0076287 A1 \* 3/2019 Wilson ..... A61F 5/028  
2020/0229960 A1 \* 7/2020 Romo ..... A61F 5/0123  
2021/0100674 A1 \* 4/2021 Tzintzun, Jr. .... A61F 5/026

**OTHER PUBLICATIONS**

C.A.S.H Orthosis, Sri Medica, [Post date: unknown], [Site seen Jan. 11, 2022], Seen at URL: <https://www.srimedica.com/cart/product/c-a-s-h-orthosis> (Year: 2022).  
Hyperextension Orthosis, RCA, Rehab mart, [Post date: May 5, 2012], [Site seen Jan. 11, 2022], Seen at URL: <https://www.rehabmart.com/product/hyperextension-orthosis-31408.html> (Year: 2012).\*

\* cited by examiner

*Primary Examiner* — Natasha Vujcic  
*Assistant Examiner* — Gilbert B Ford  
(74) *Attorney, Agent, or Firm* — Suzanne Kikel, Patent Agent

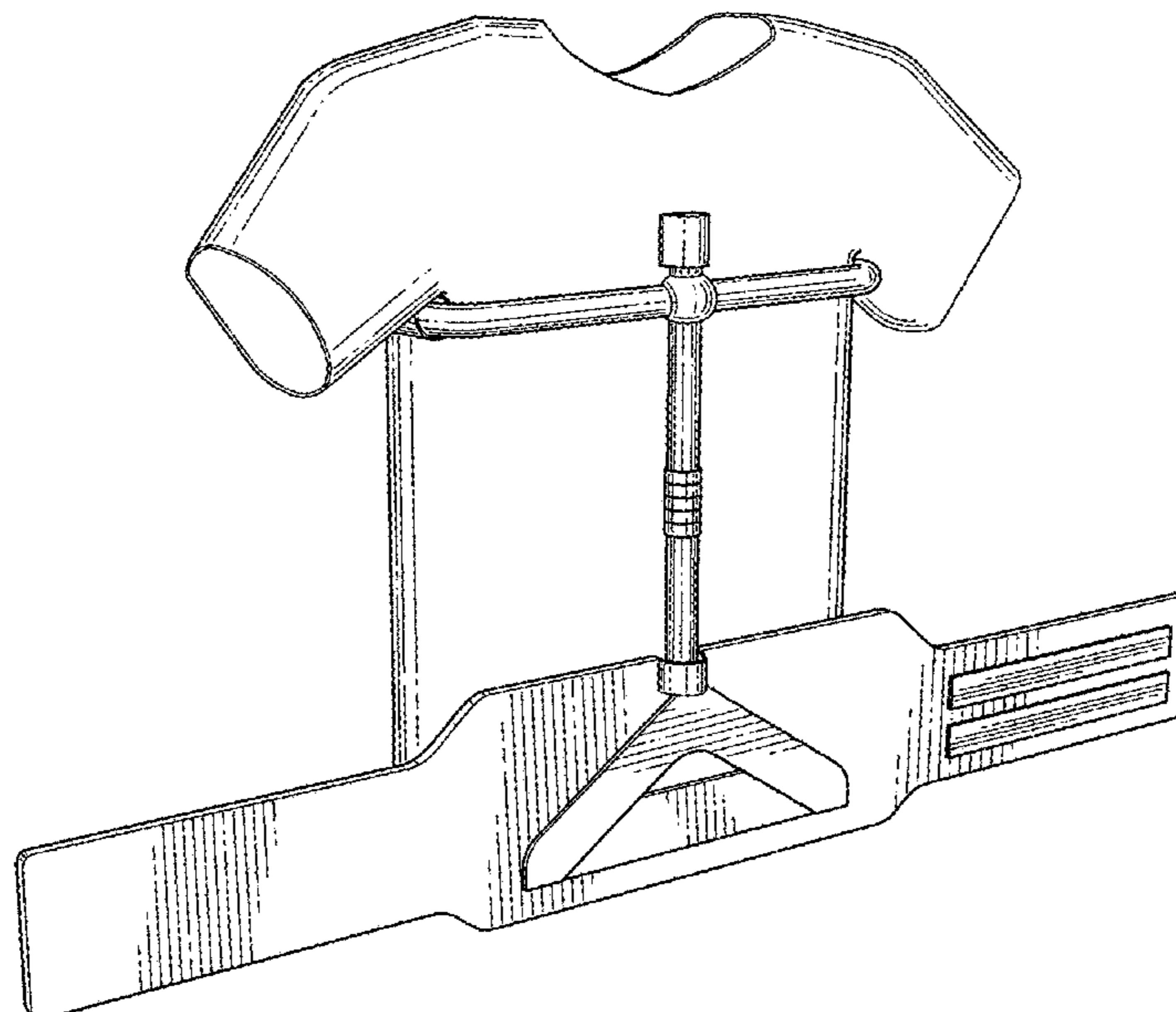
(57) **CLAIM**

The ornamental design for a back brace, as shown and described.

**DESCRIPTION**

FIG. 1 is a perspective view of a back brace for my new design.  
FIG. 2 is a front elevational view thereof.  
FIG. 3 is a back elevational view thereof.  
FIG. 4 is a left side elevational view thereof.  
FIG. 5 is a right side elevational view thereof.  
FIG. 6 is a bottom plan view thereof; and,  
FIG. 7 is a top plan view thereof.

**1 Claim, 5 Drawing Sheets**



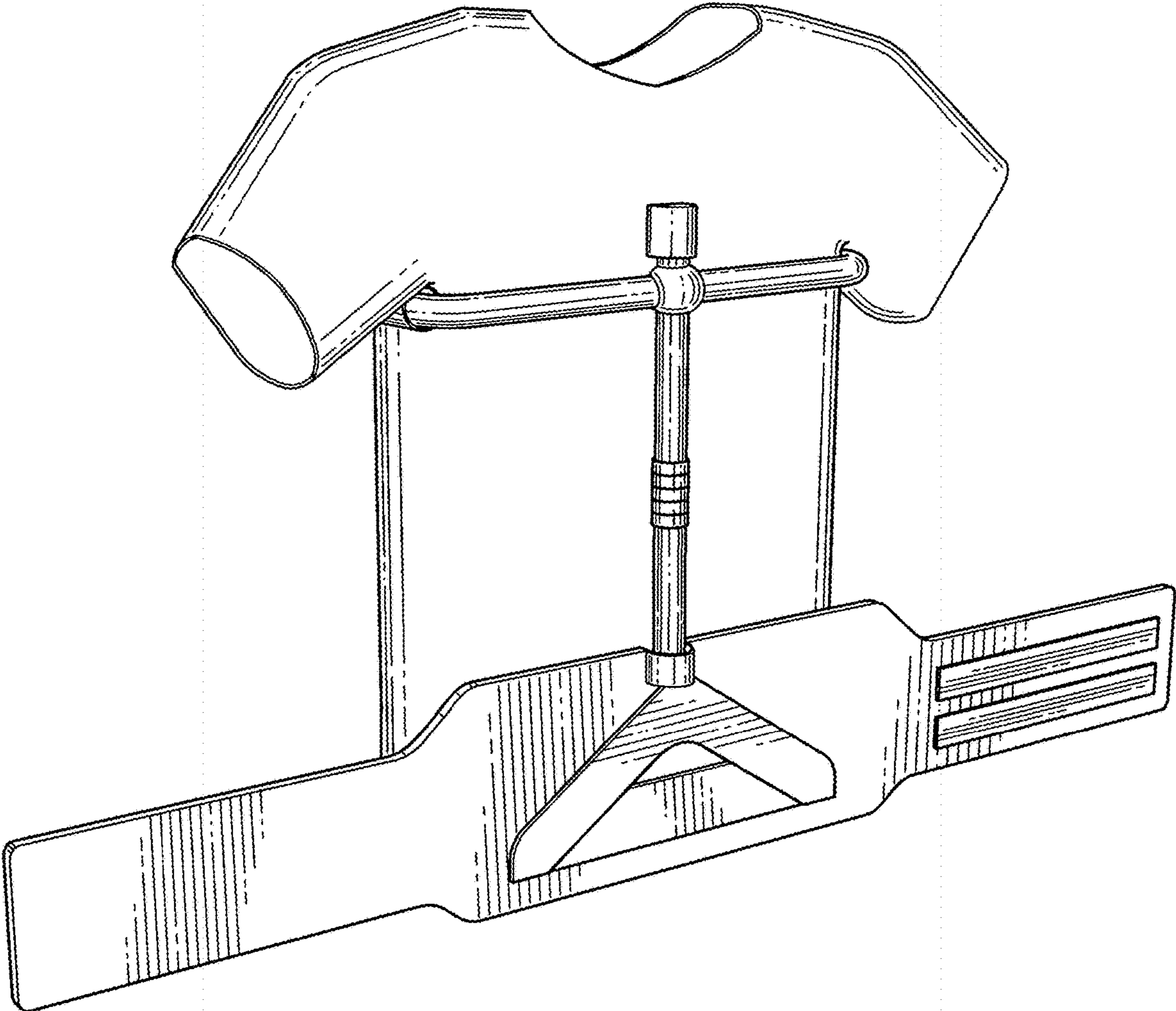


FIG. 1

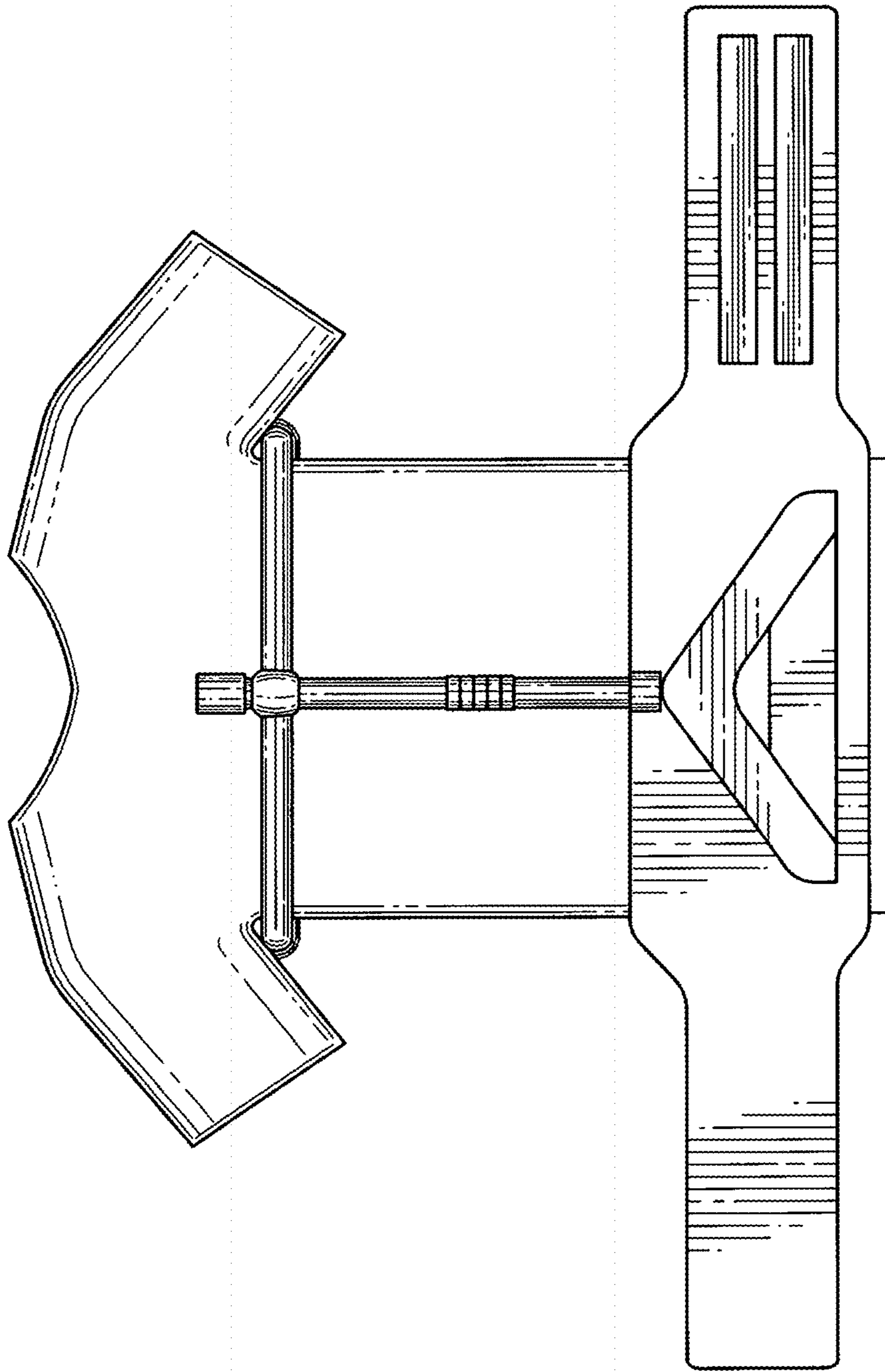


FIG. 2

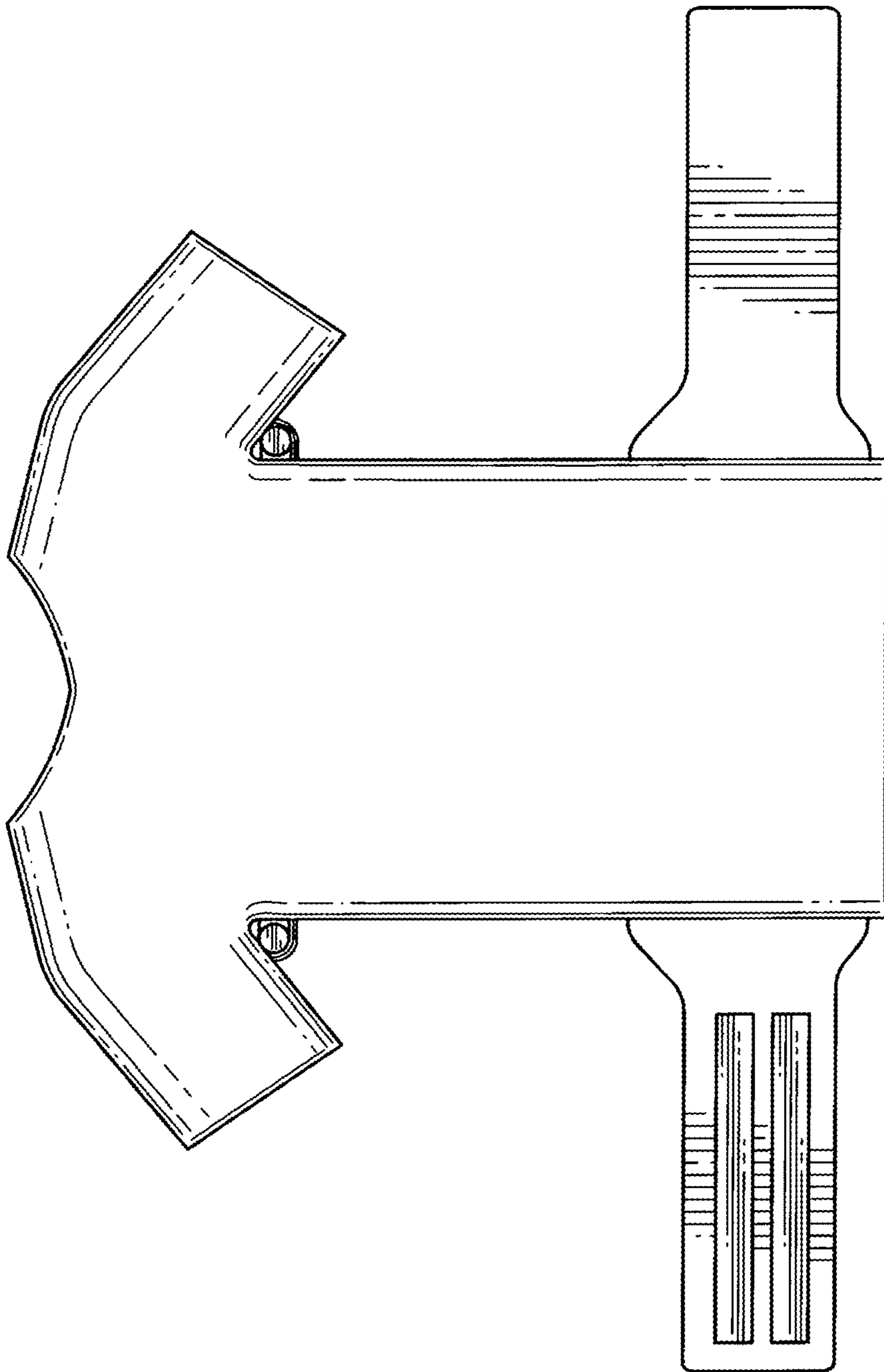


FIG. 3



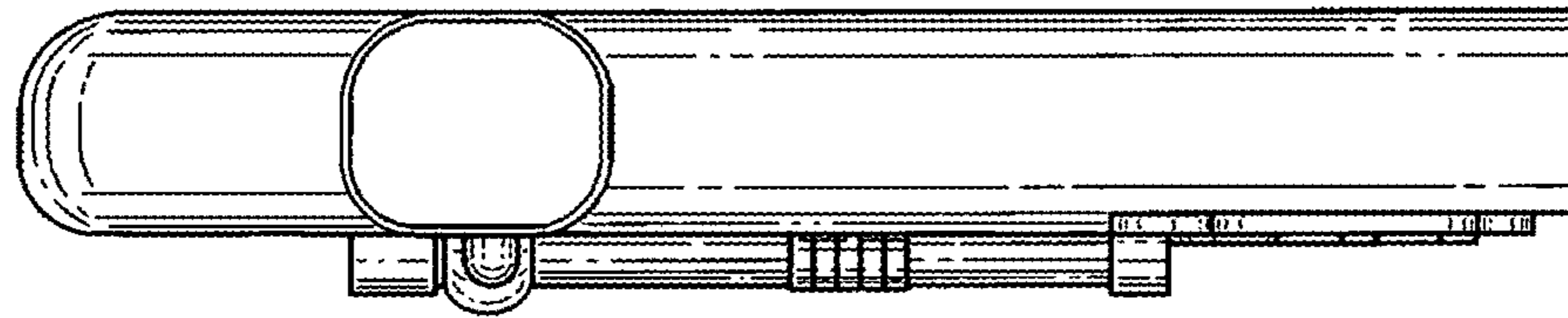


FIG. 5

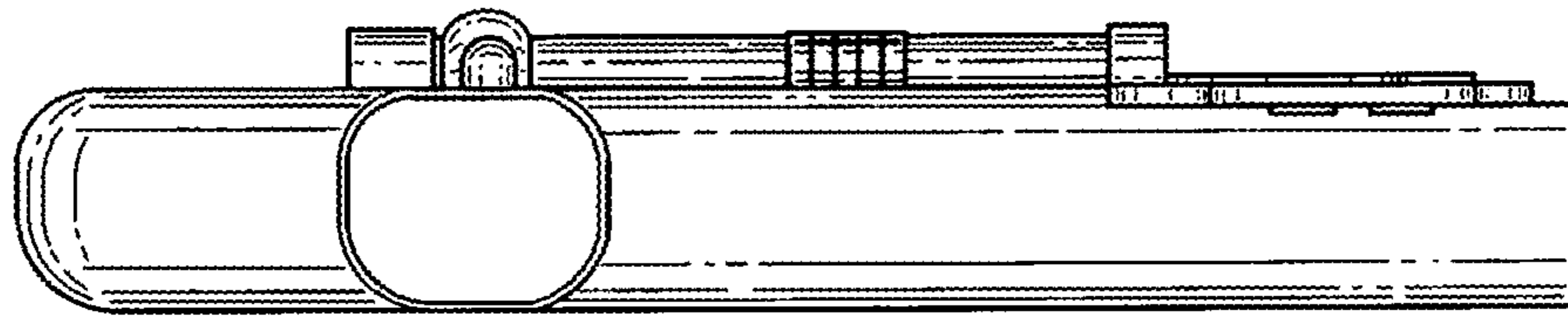
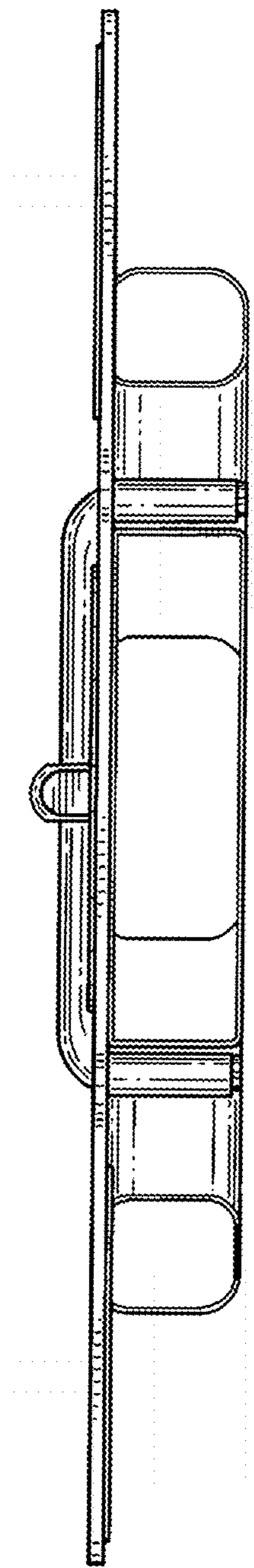
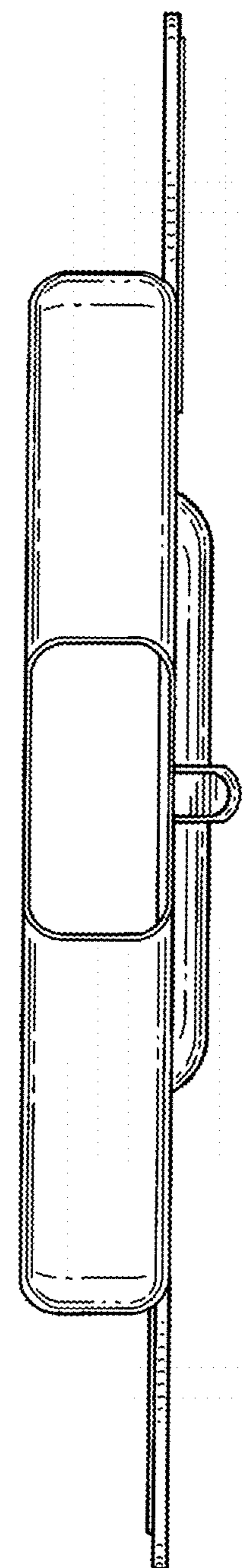


FIG. 4



**FIG. 6**



**FIG. 7**