



US00D949346S

(12) **United States Design Patent**  
**Miryazdi**

(10) **Patent No.:** **US D949,346 S**

(45) **Date of Patent:** **\*\* Apr. 19, 2022**

(54) **MEDICAL BRACELET**

(71) Applicant: **Nick Miryazdi**, Irvine, CA (US)

(72) Inventor: **Nick Miryazdi**, Irvine, CA (US)

(\*\*) Term: **15 Years**

(21) Appl. No.: **29/765,504**

(22) Filed: **Jan. 8, 2021**

(51) **LOC (13) Cl.** ..... **24-02**

(52) **U.S. Cl.**  
USPC ..... **D24/186**

(58) **Field of Classification Search**  
USPC ..... D24/107, 164–169, 185–187; D10/98,  
D10/70, 75, 30, 32, 38; D14/344;  
D11/2–5  
CPC ..... A61B 5/0011; A61B 5/050022; A61B  
5/02411; A61B 5/0444; A61B 5/0448;  
A61B 5/4356; A61B 5/4362; A61B  
5/6833; A61B 8/02; A61B 8/08; A61B  
8/0866; A61B 8/4227; A61B 8/4281;  
A61B 8/488; A61F 5/028; A61F 5/048;  
A61F 5/02438; A61F 5/6803  
See application file for complete search history.

(56) **References Cited**

**U.S. PATENT DOCUMENTS**

- 8,370,549 B2 \* 2/2013 Burton ..... A63B 69/00  
710/63
- D707,148 S \* 6/2014 Proud ..... D11/5
- D717,956 S \* 11/2014 Alexander ..... D24/167
- D721,981 S \* 2/2015 Choi ..... D10/98
- D730,763 S \* 6/2015 Haapakoski ..... D10/70
- D732,994 S \* 6/2015 Wentz ..... D11/5
- D786,886 S \* 5/2017 Herrmann ..... D14/480.3
- D794,013 S \* 8/2017 Heck ..... D24/186
- D799,477 S \* 10/2017 Lee ..... D14/344

- D805,413 S \* 12/2017 Chen ..... D24/186
- D887,560 S \* 6/2020 McConnell ..... D24/186
- 2018/0116591 A1 \* 5/2018 Hensley ..... A61B 5/6802

**OTHER PUBLICATIONS**

Amazon.com: VNOX Free Engraving Medical Alert ID Blue & Black Braided Leather Black Stainless Steel Magnetic Cuff Bracelet. Product available on Jan. 9, 2018. Retrived from internet on Dec. 13, 2021 at: [https://www.amazon.com/dp/B07GW5P2L9/ref=sspa\\_dk\\_detail\\_5?psc=1&pd\\_rd\\_w=Kaq55&pf\\_rd\\_p=9fd3ea7c-b77c-42ac-b43b-c872d3f37c3](https://www.amazon.com/dp/B07GW5P2L9/ref=sspa_dk_detail_5?psc=1&pd_rd_w=Kaq55&pf_rd_p=9fd3ea7c-b77c-42ac-b43b-c872d3f37c3).\*

\* cited by examiner

*Primary Examiner* — Anhdao Doan

(57) **CLAIM**

The ornamental design for a medical bracelet, as shown and described.

**DESCRIPTION**

FIG. 1 is a top, front perspective view of a medical bracelet showing my new design.

FIG. 2 is a top plan view of the medical bracelet illustrated in FIG. 1.

FIG. 3 is a bottom plan view of the medical bracelet illustrated in FIG. 1.

FIG. 4 is a right side elevation view of the medical bracelet illustrated in FIG. 1.

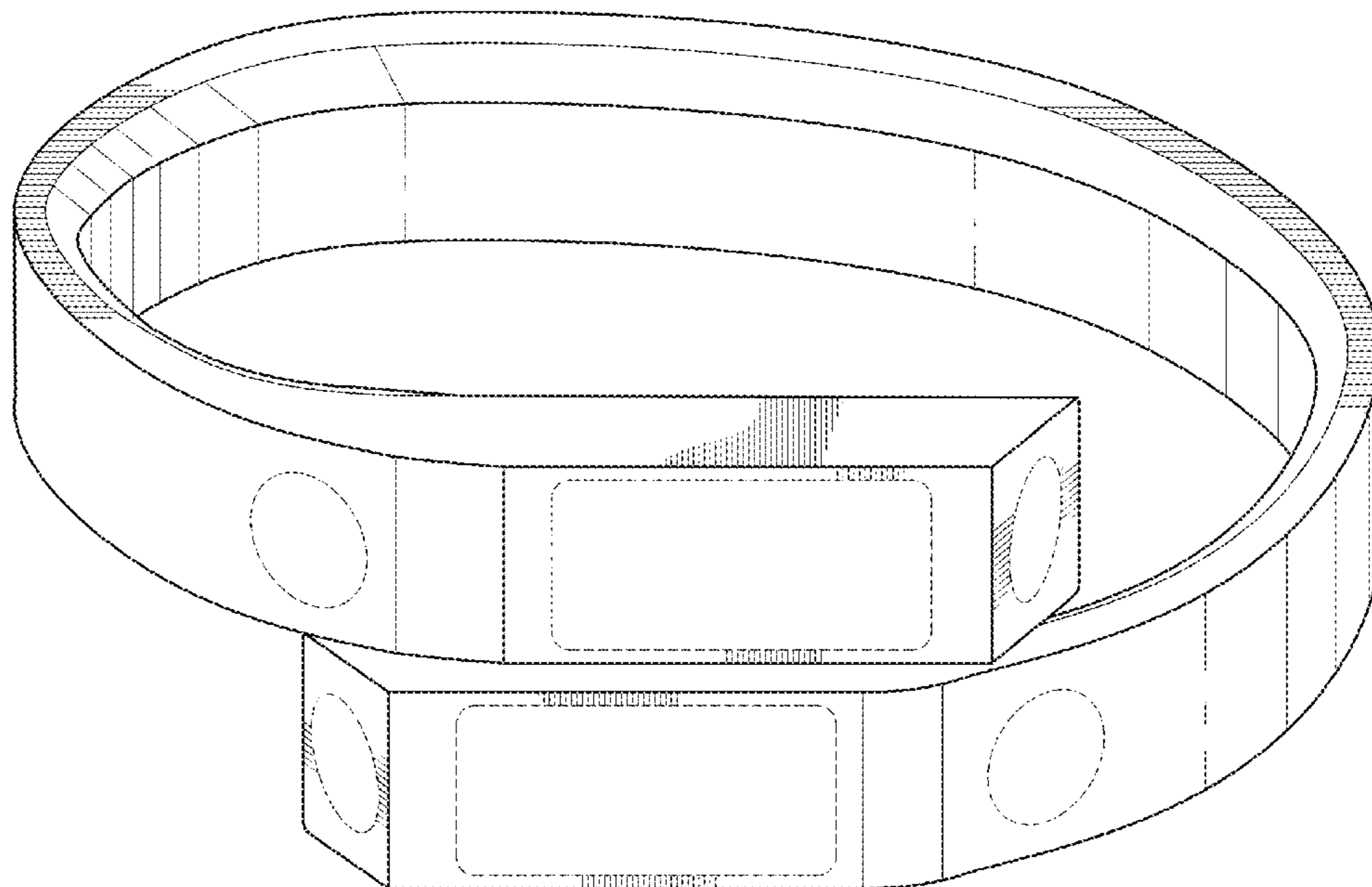
FIG. 5 is a left side elevation view of the medical bracelet illustrated in FIG. 1.

FIG. 6 is a front elevation view of the medical bracelet illustrated in FIG. 1; and,

FIG. 7 is a rear elevation view of the medical bracelet illustrated in FIG. 1.

The broken lines depict portions of the medical bracelet that form no part of the claimed design.

**1 Claim, 6 Drawing Sheets**



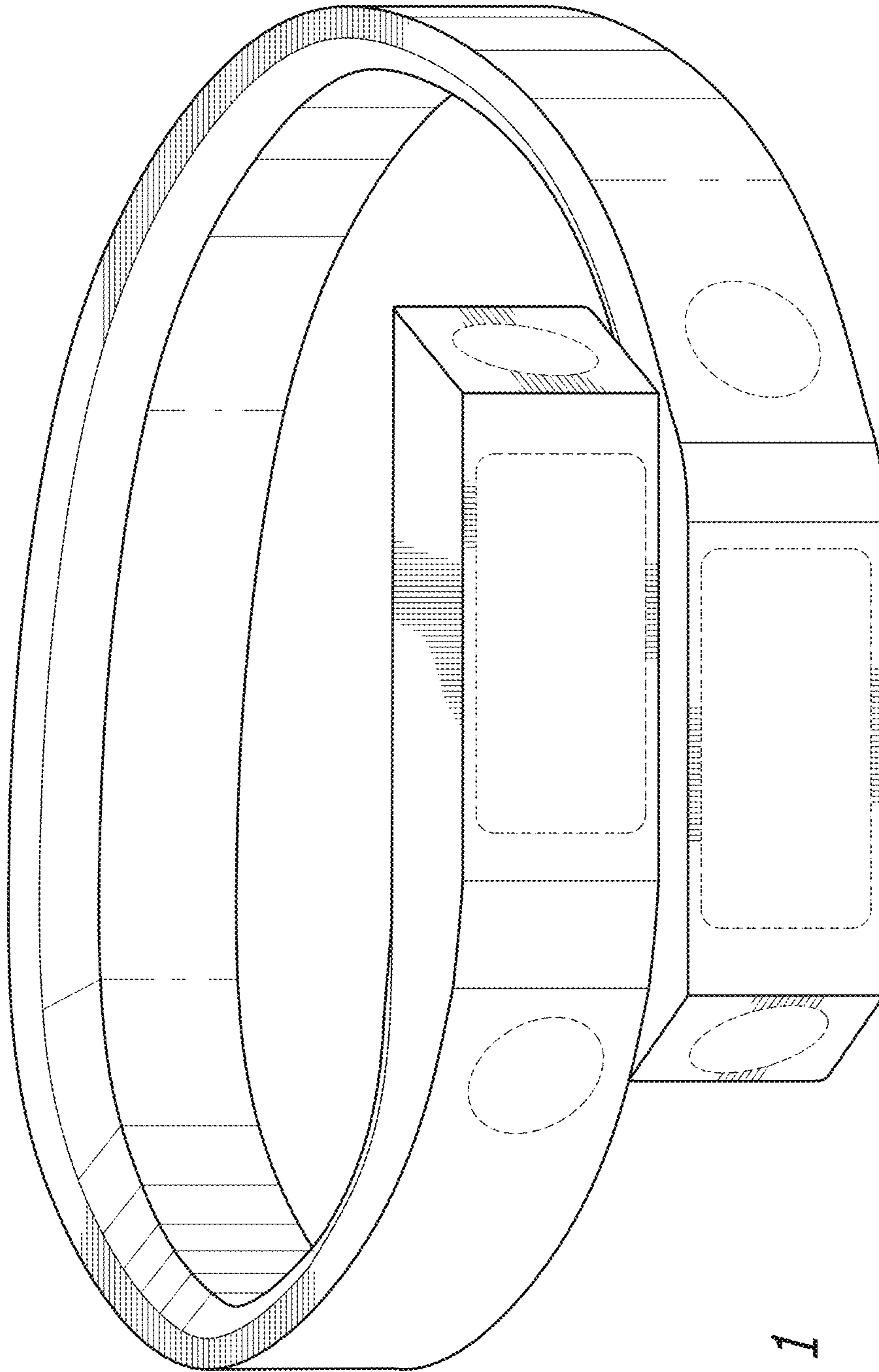


FIG. 1

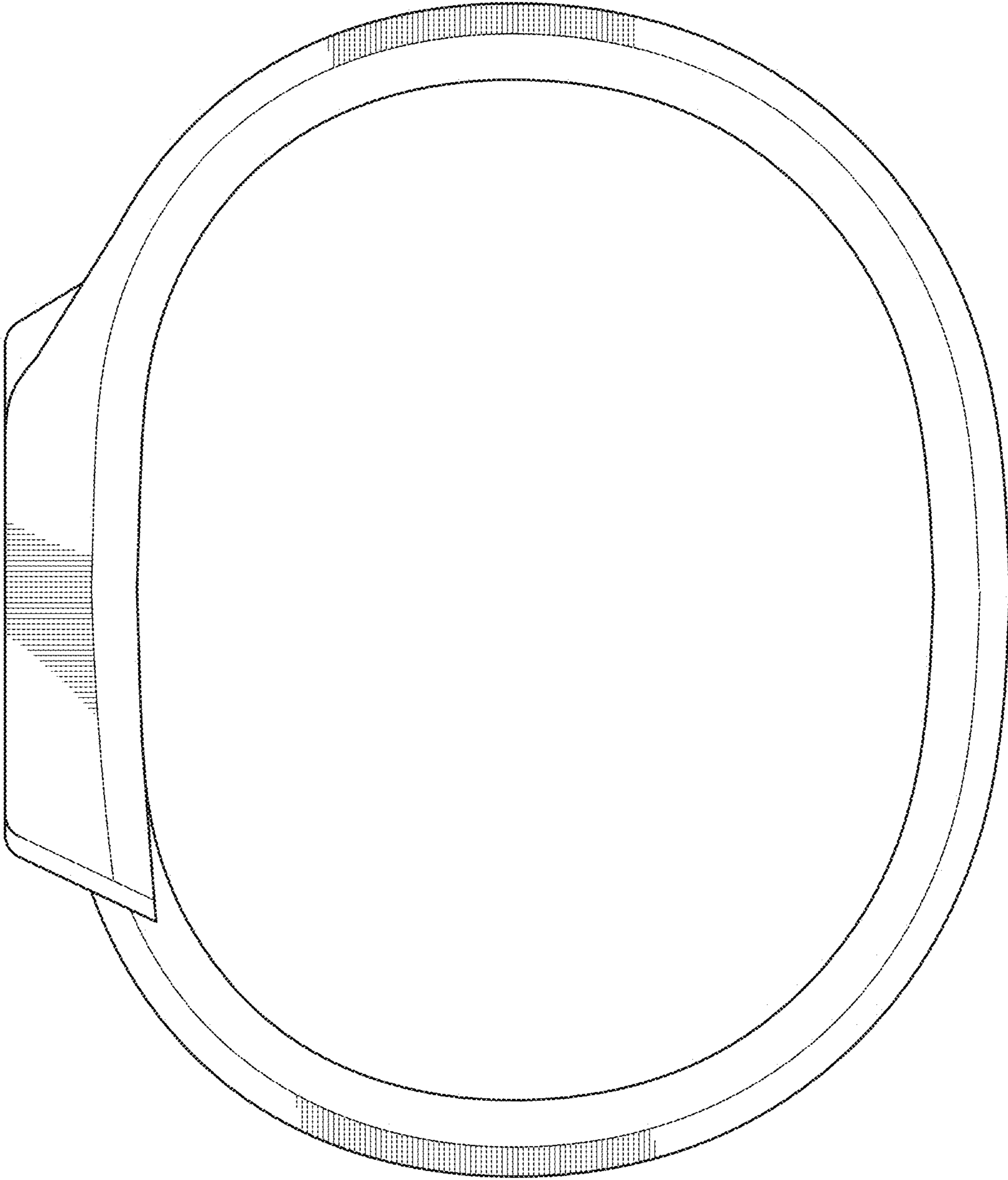


FIG. 2

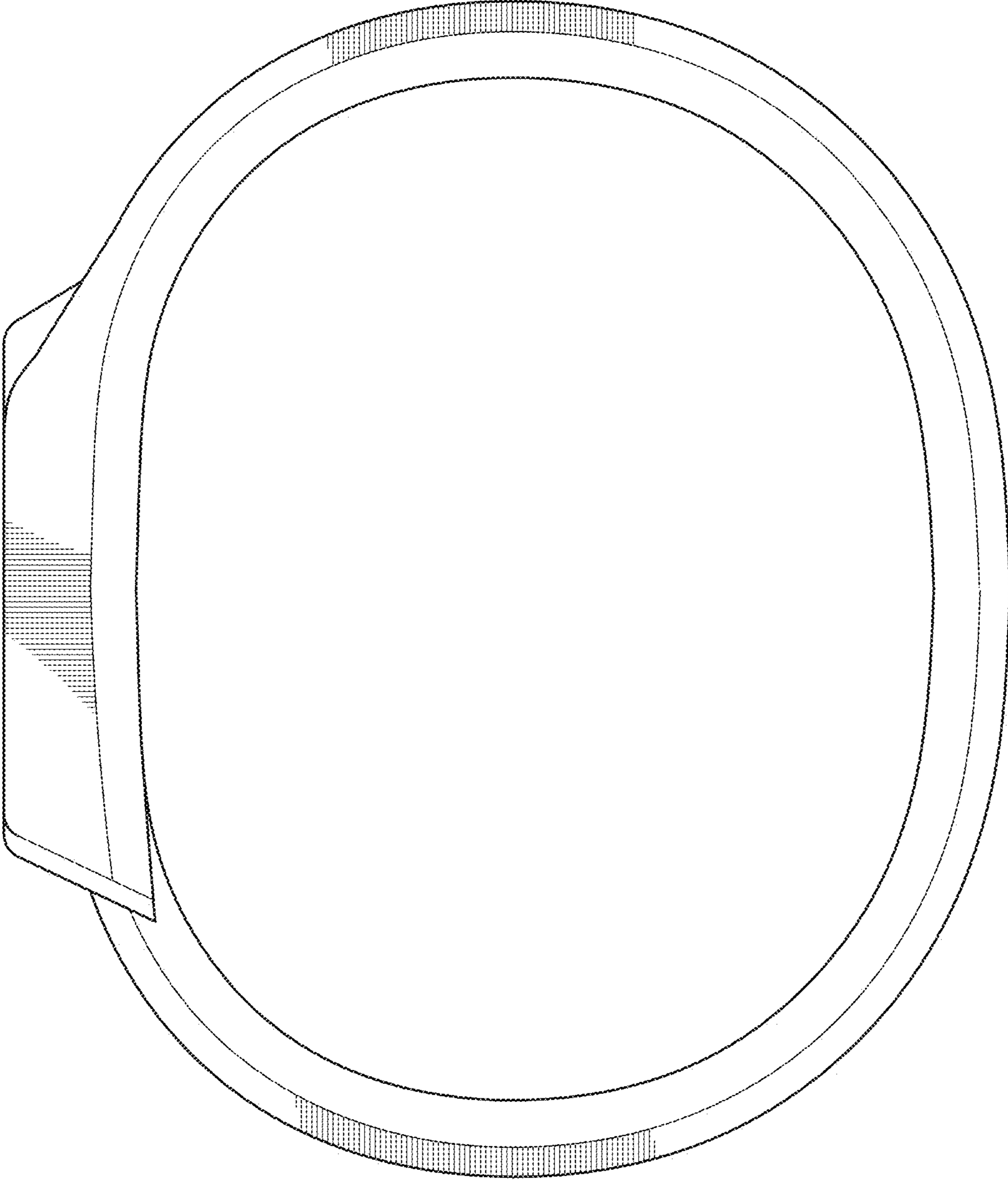


FIG. 3

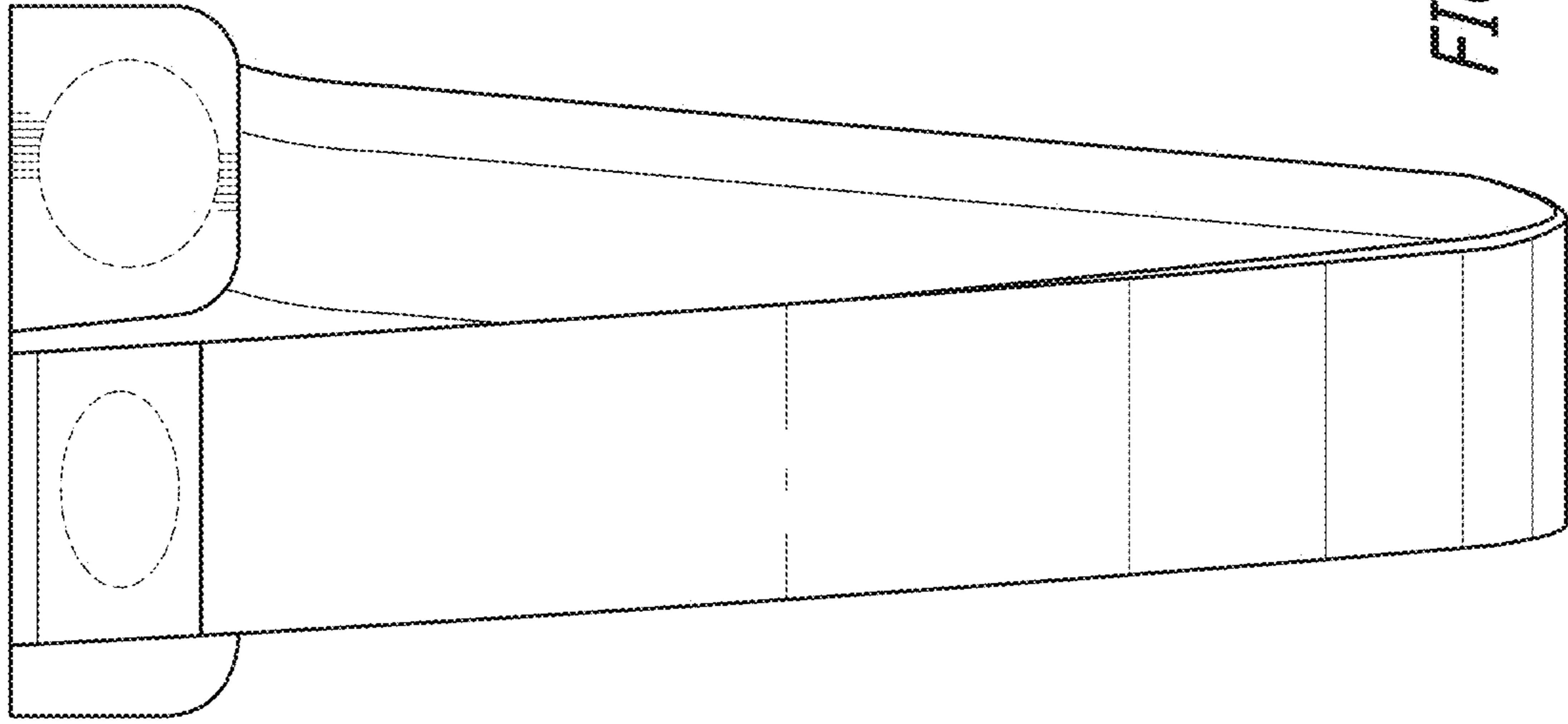


FIG. 5

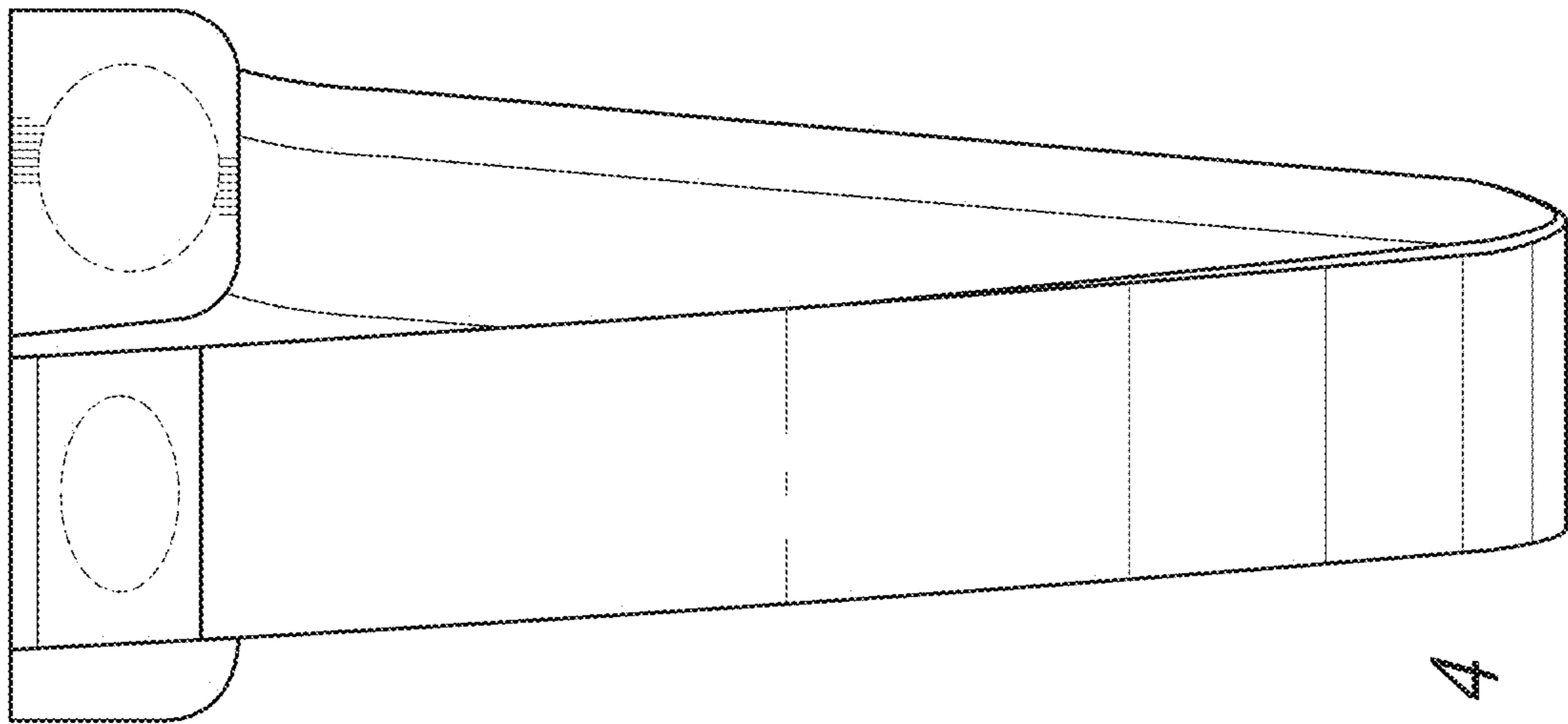


FIG. 4

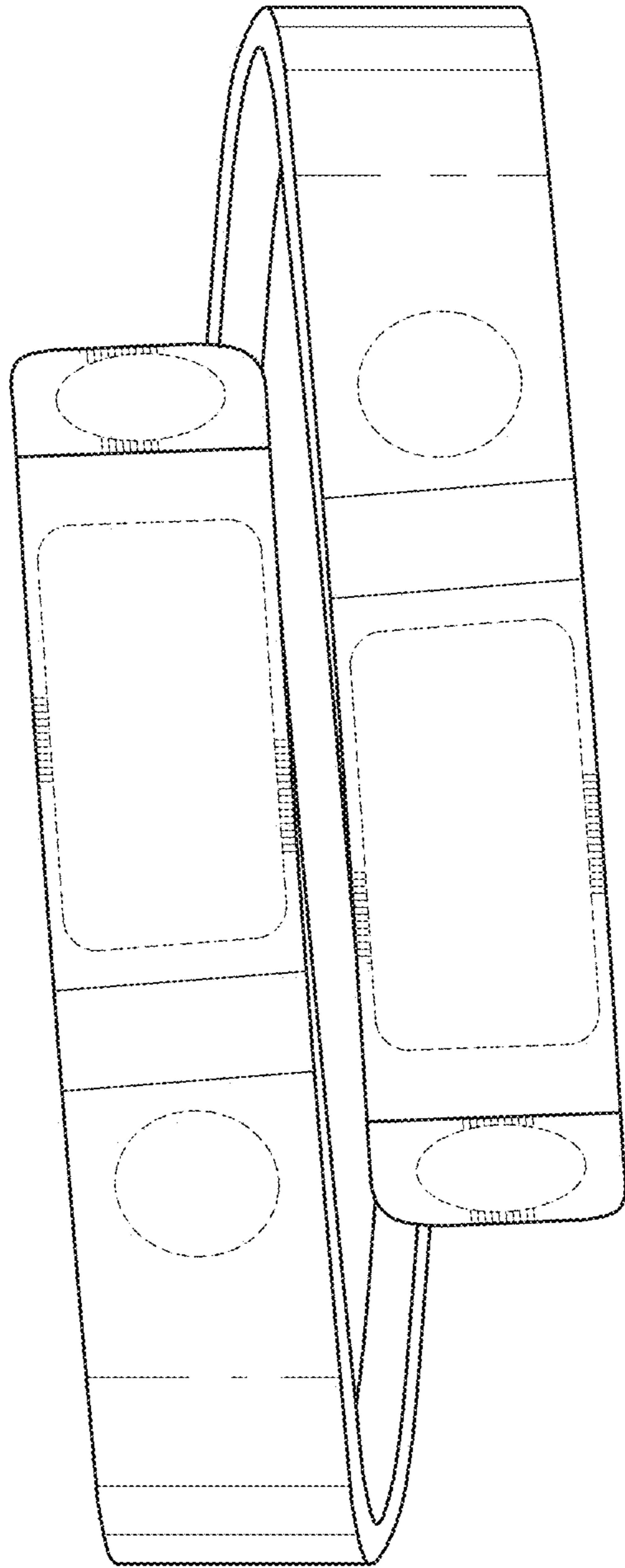


FIG. 6

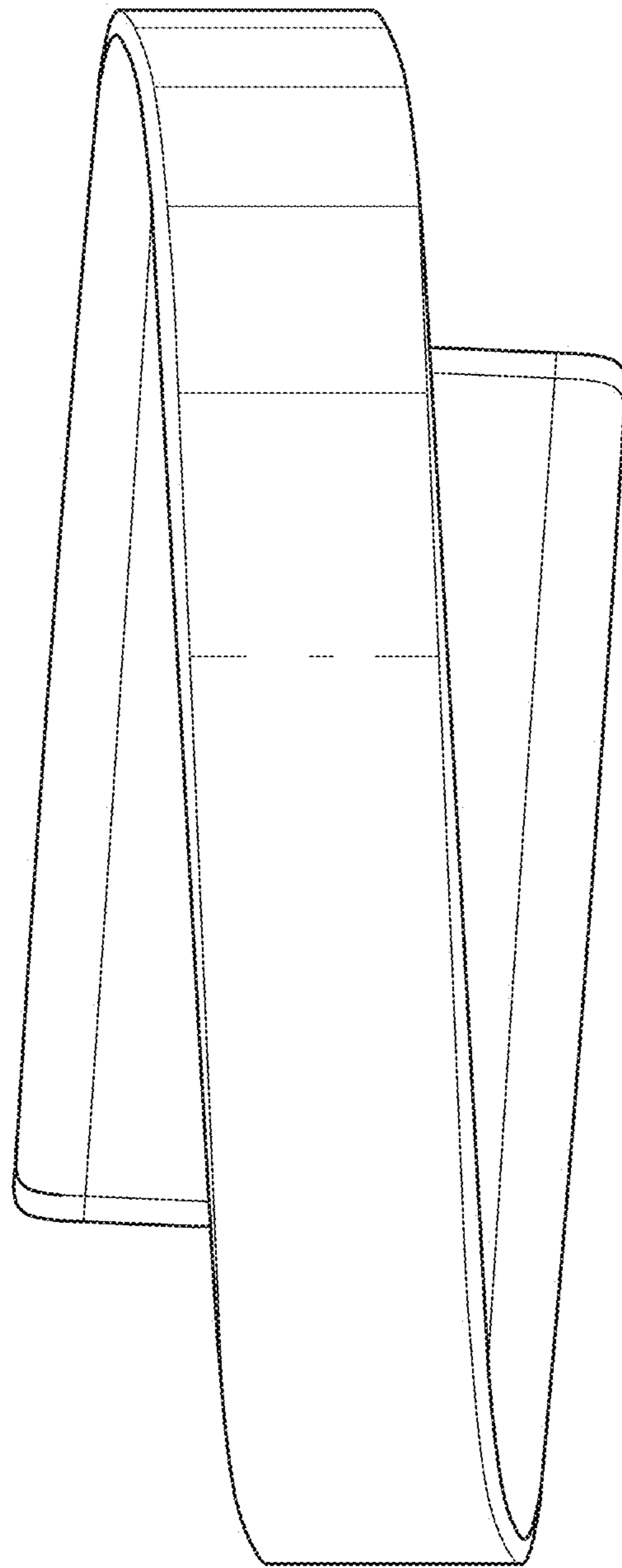


FIG. 7