



US00D949344S

(12) **United States Design Patent**
Frenkler et al.

(10) **Patent No.: US D949,344 S**
(45) **Date of Patent: ** Apr. 19, 2022**

(54) **COMBINED ROOT CANAL METER WITH
HIGH FREQUENCY TREATMENT MODULE**

3,330,040 A * 7/1967 Kahn A61C 5/44
433/224

(Continued)

(71) Applicant: **J. MORITA MFG. CORP.**, Kyoto (JP)

Primary Examiner — Rhea Shields

(72) Inventors: **Fritz Frenkler**, Munich (DE); **Sean Suckling**, Munich (DE); **Hidenori Kurimoto**, Kyoto (JP)

(74) *Attorney, Agent, or Firm* — Dilworth IP, LLC

(73) Assignee: **J. MORITA. MFG. CORP.**

(57) **CLAIM**

The ornamental design for a combined root canal meter with high frequency treatment module, as shown and described.

(**) Term: **15 Years**

DESCRIPTION

(21) Appl. No.: **35/510,838**

1. Combined root canal meter with high frequency treatment module

(22) Filed: **Nov. 6, 2020**

1.1 : Front

(80) **Hague Agreement Data**

1.2 : Back

Int. Filing Date: **Nov. 6, 2020**

1.3 : Top

Int. Reg. No.: **DM/211298**

1.4 : Bottom

Int. Reg. Date: **Nov. 6, 2020**

1.5 : Right

Int. Reg. Pub. Date: **Nov. 27, 2020**

1.6 : Left

(30) **Foreign Application Priority Data**

1.7 : Front perspective view

Jun. 9, 2020 (JP) 2020-011432 D

1.8 : Back perspective view 1

(51) **LOC (13) Cl.** **24-02**

1.9 : Back perspective view 2

(52) **U.S. Cl.**

USPC **D24/176**

(58) **Field of Classification Search**

USPC D24/176, 152, 177, 162

CPC A61B 6/032; A61B 5/4547; A61C 5/44;

A61C 19/04; A61C 5/40; A61C 13/0004;

G01B 11/2518

See application file for complete search history.

1.10 is a perspective view shown in an environment.

The article is equipment for measuring and displaying a root canal length of a tooth during root canal treatment which is a type of dental treatment methods; in addition, the article has a high-frequency treatment module, and is capable of performing high-frequency treatment such as cauterization of an interior portion of a tooth; the article can measure/display the root canal length and display the operation condition and the like during the high-frequency treatment; the parts shown by means of broken lines in the reproductions are not part of the claimed design; the part having oblique parallel lines in the reproduction **1.10** is transparent; the oblique parallel lines themselves shown in the reproduction **1.10** are for illustrative purposes only and form no part of the claimed design.

In Reproduction **1.10** the oblique lines are for the purpose of illustrating environment only and form no part of the claimed design.

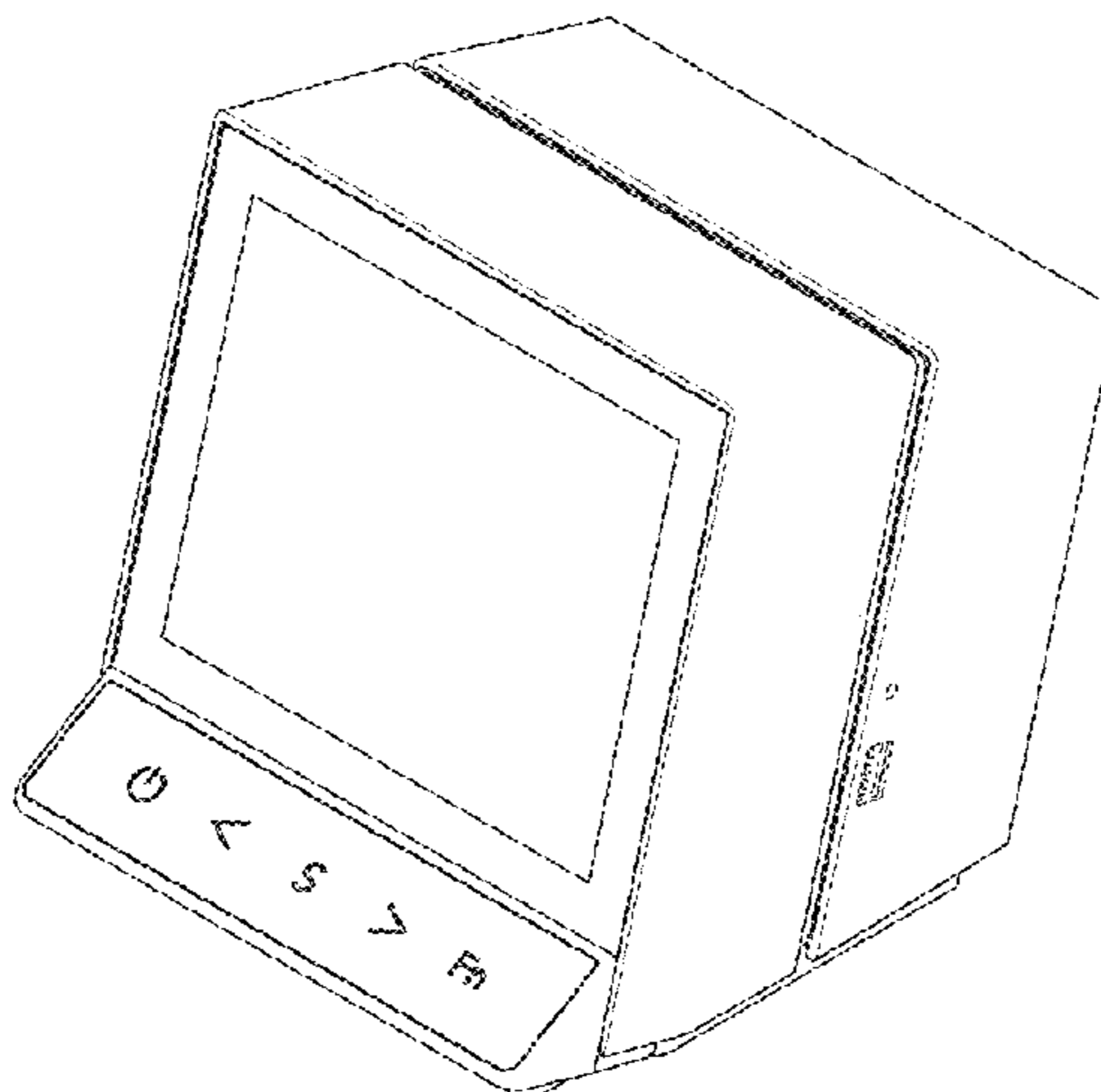
(56) **References Cited**

U.S. PATENT DOCUMENTS

3,035,351 A * 5/1962 Hirsch A61C 5/40
433/224

3,058,225 A * 10/1962 Ward A61C 19/04
33/513

1 Claim, 10 Drawing Sheets



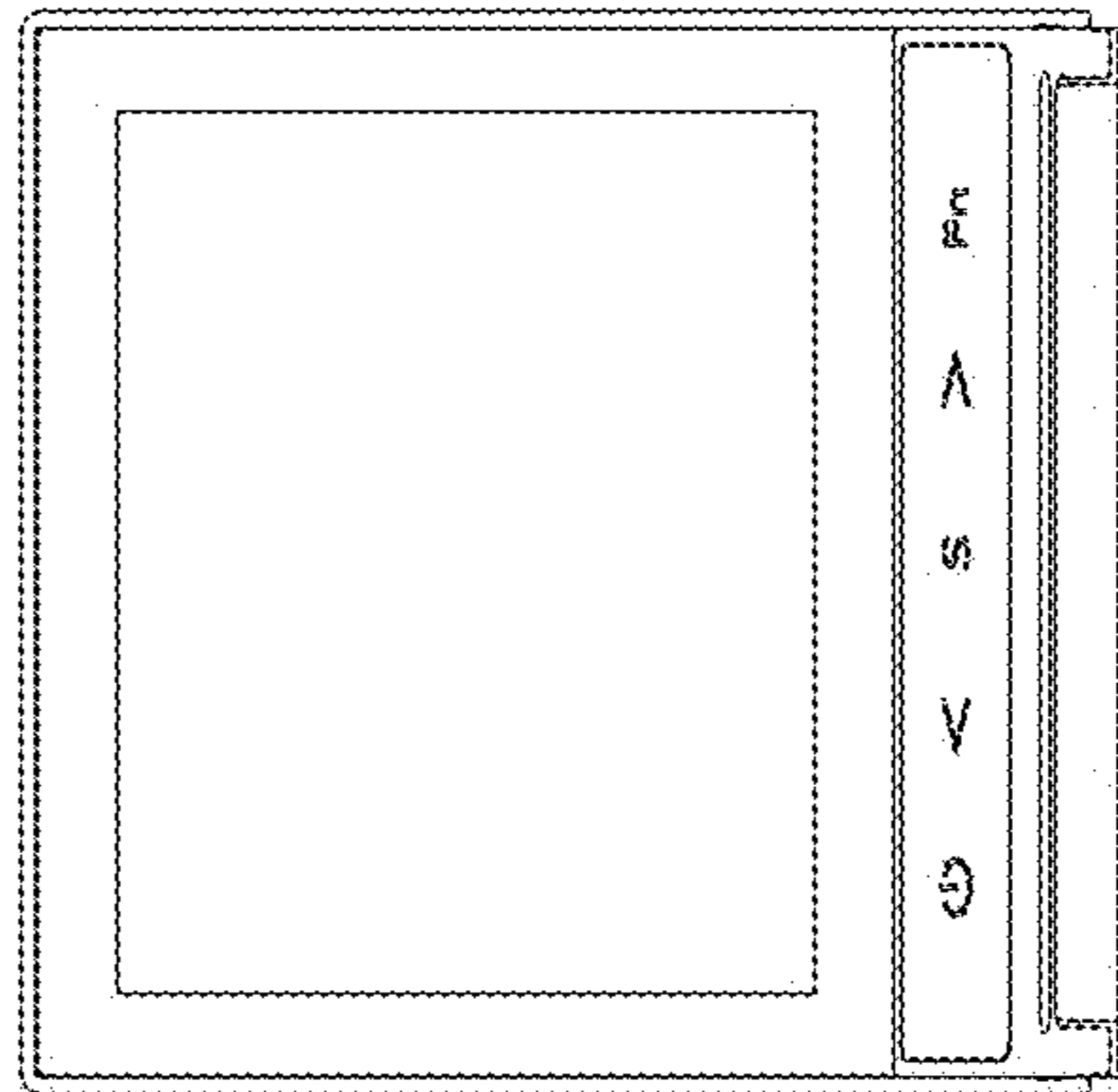
(56)

References Cited

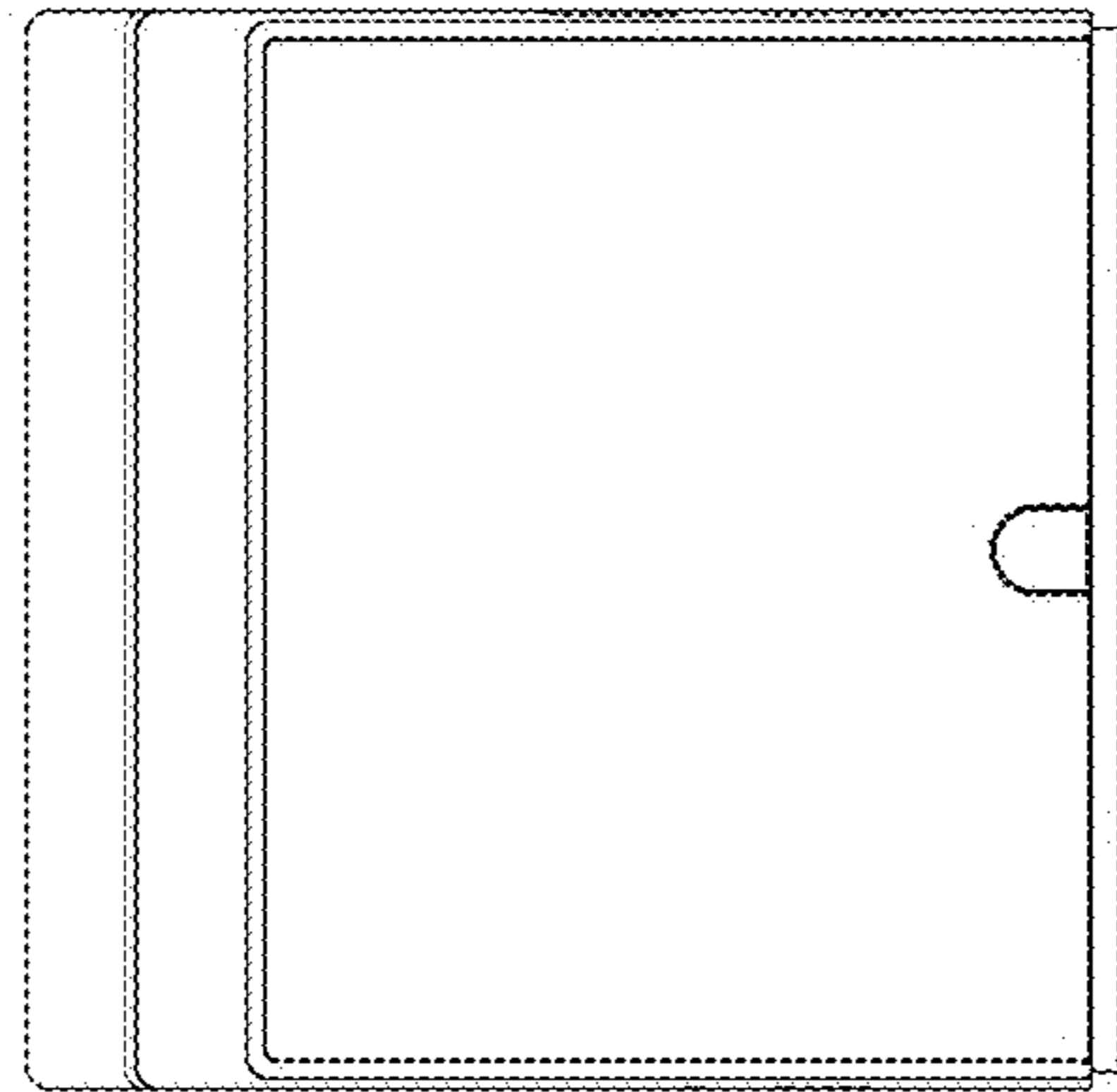
U.S. PATENT DOCUMENTS

D457,144	S *	5/2002	Suen	D13/162
D539,428	S *	3/2007	Nakanishi	D24/177
D601,262	S *	9/2009	Okawa	D24/176
D648,026	S *	11/2011	Okawa	D24/152
D823,468	S *	7/2018	Frenkler	D24/152
10,039,475	B2 *	8/2018	Sorimoto	A61B 5/4547
D887,006	S *	6/2020	Frenkler	D24/176
11,060,852	B2 *	7/2021	Sorimoto	G01B 11/2518
11,071,508	B2 *	7/2021	Yoshimura	A61B 6/032
2006/0263742	A1 *	11/2006	Saliger	A61C 13/0004 433/72

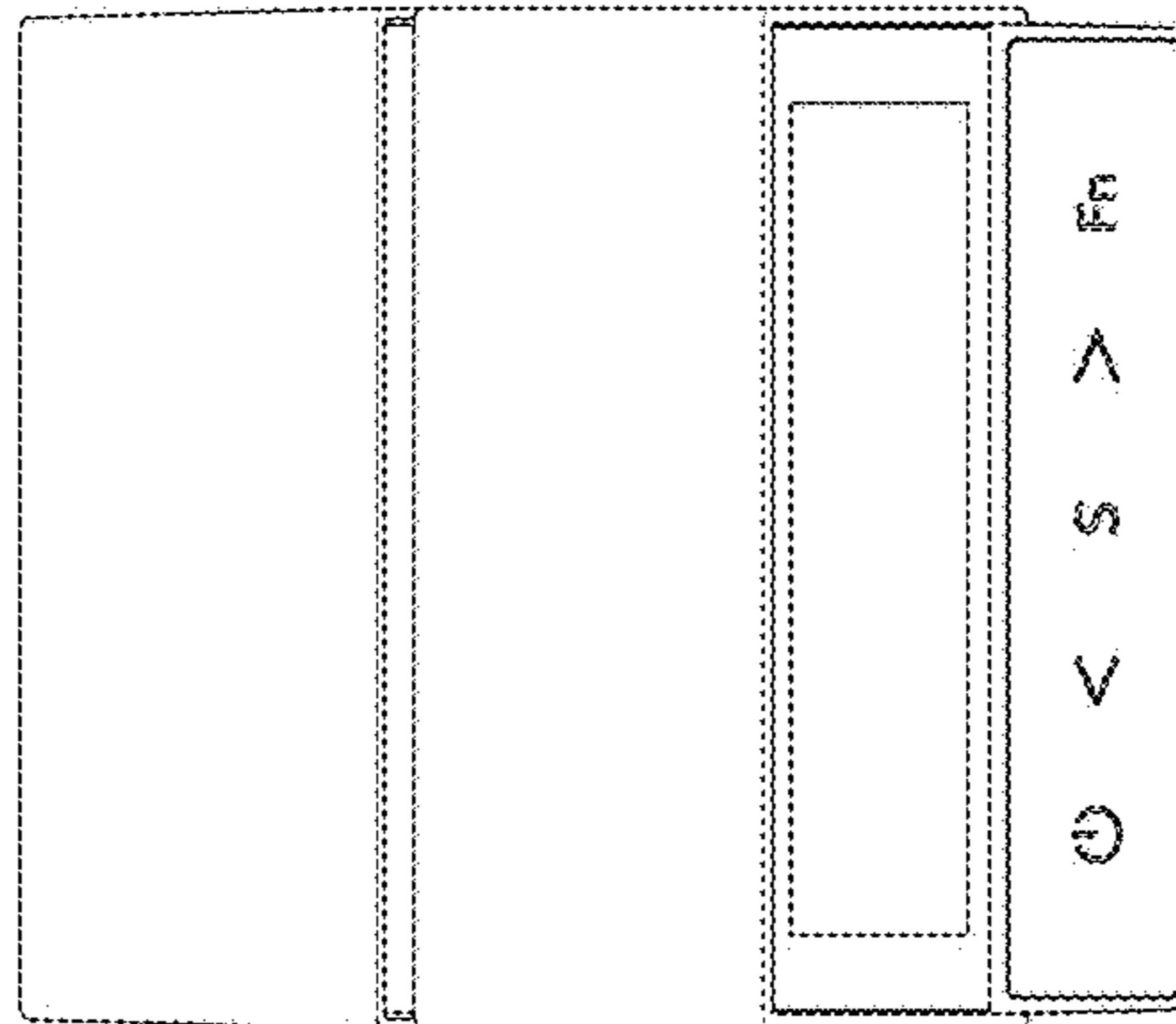
* cited by examiner



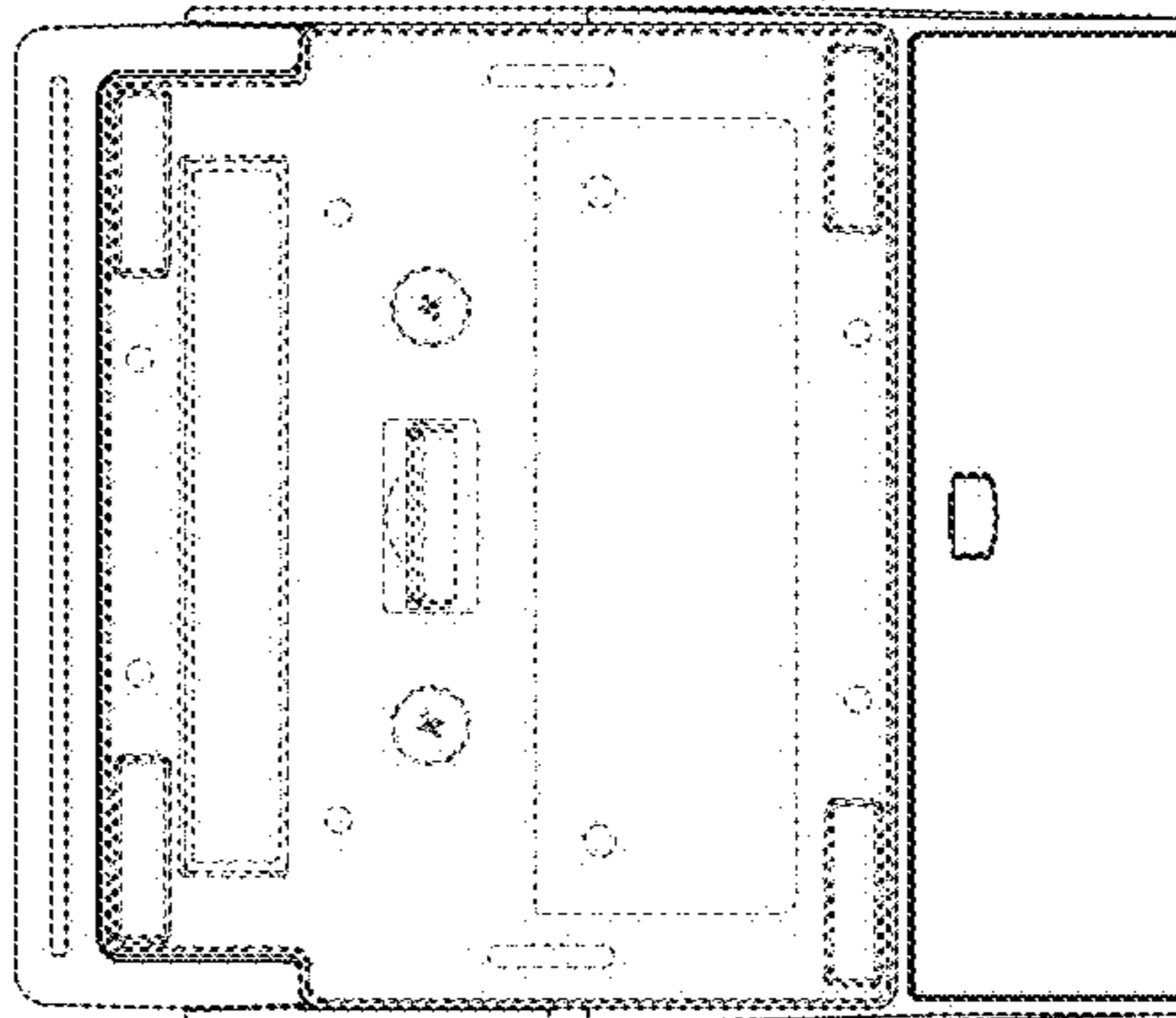
1.1



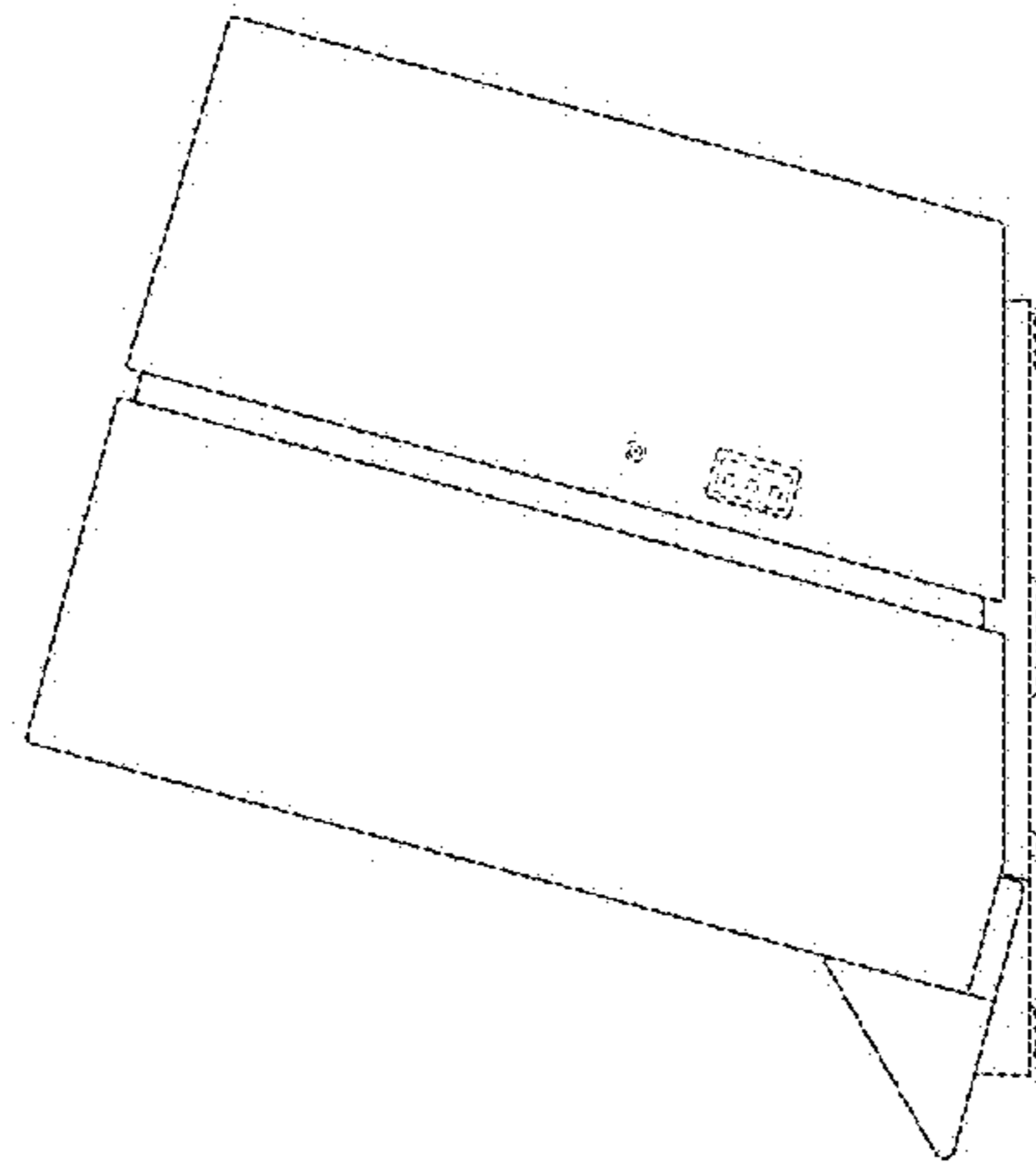
1.2



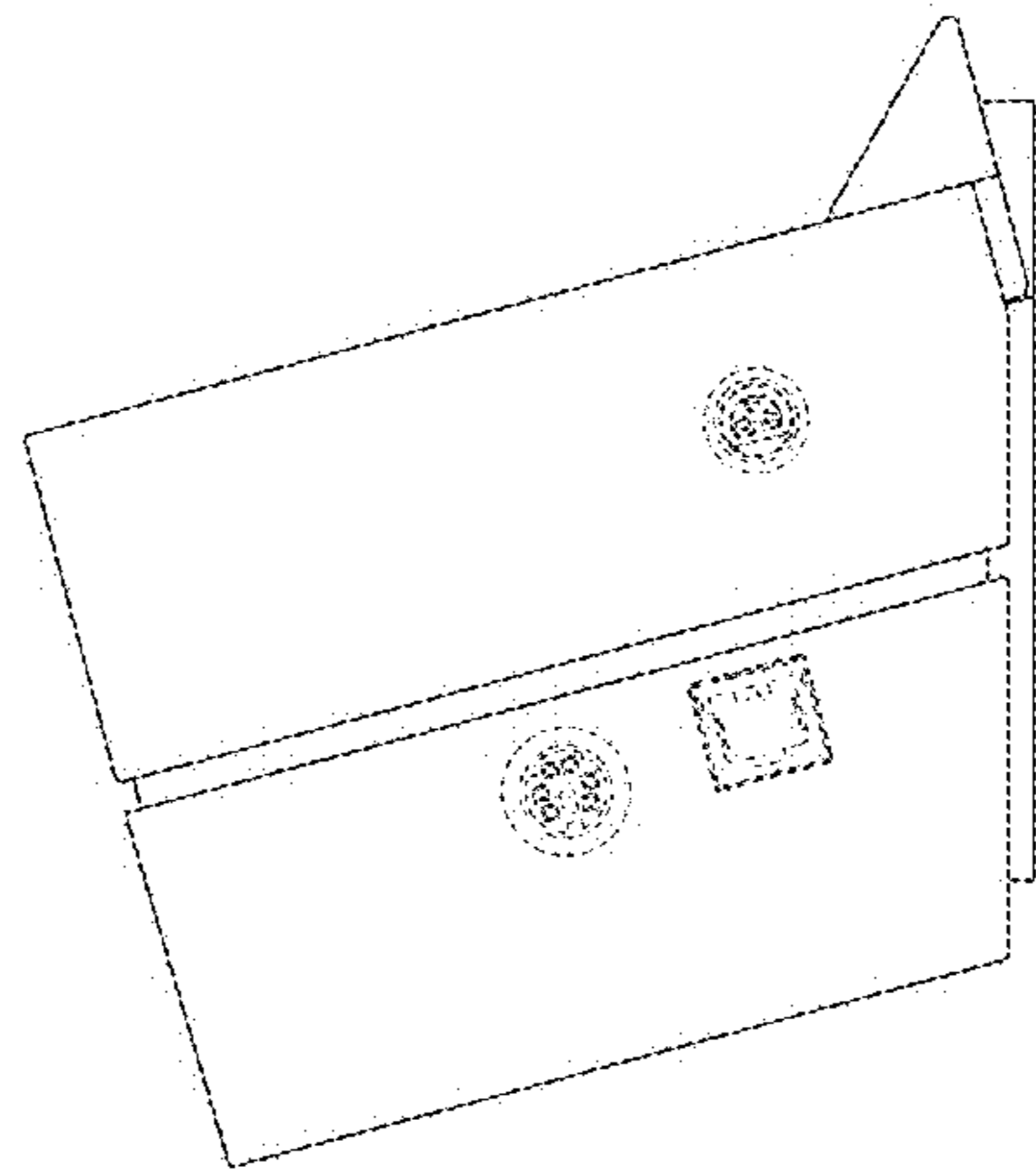
1.3



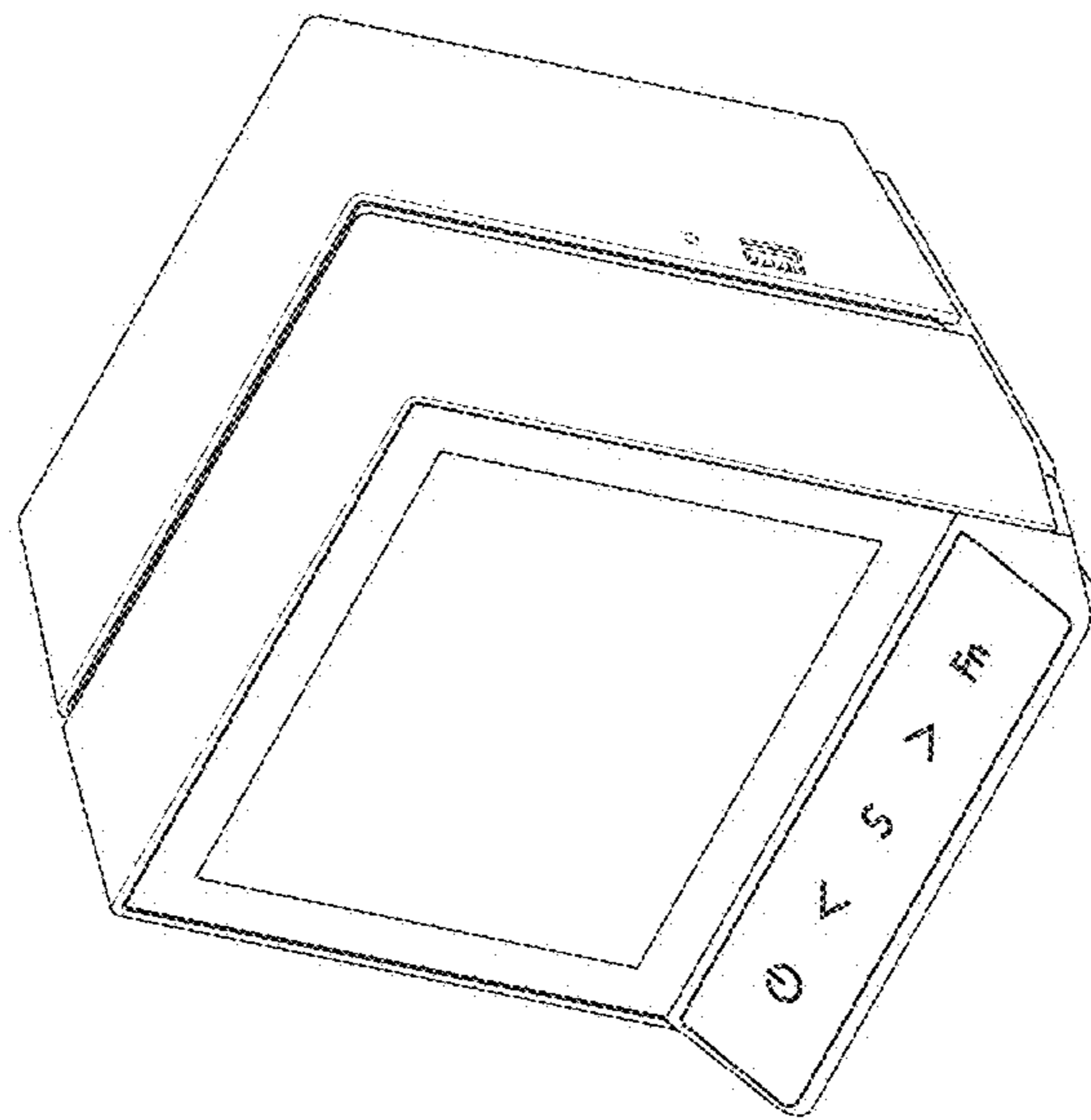
1.4



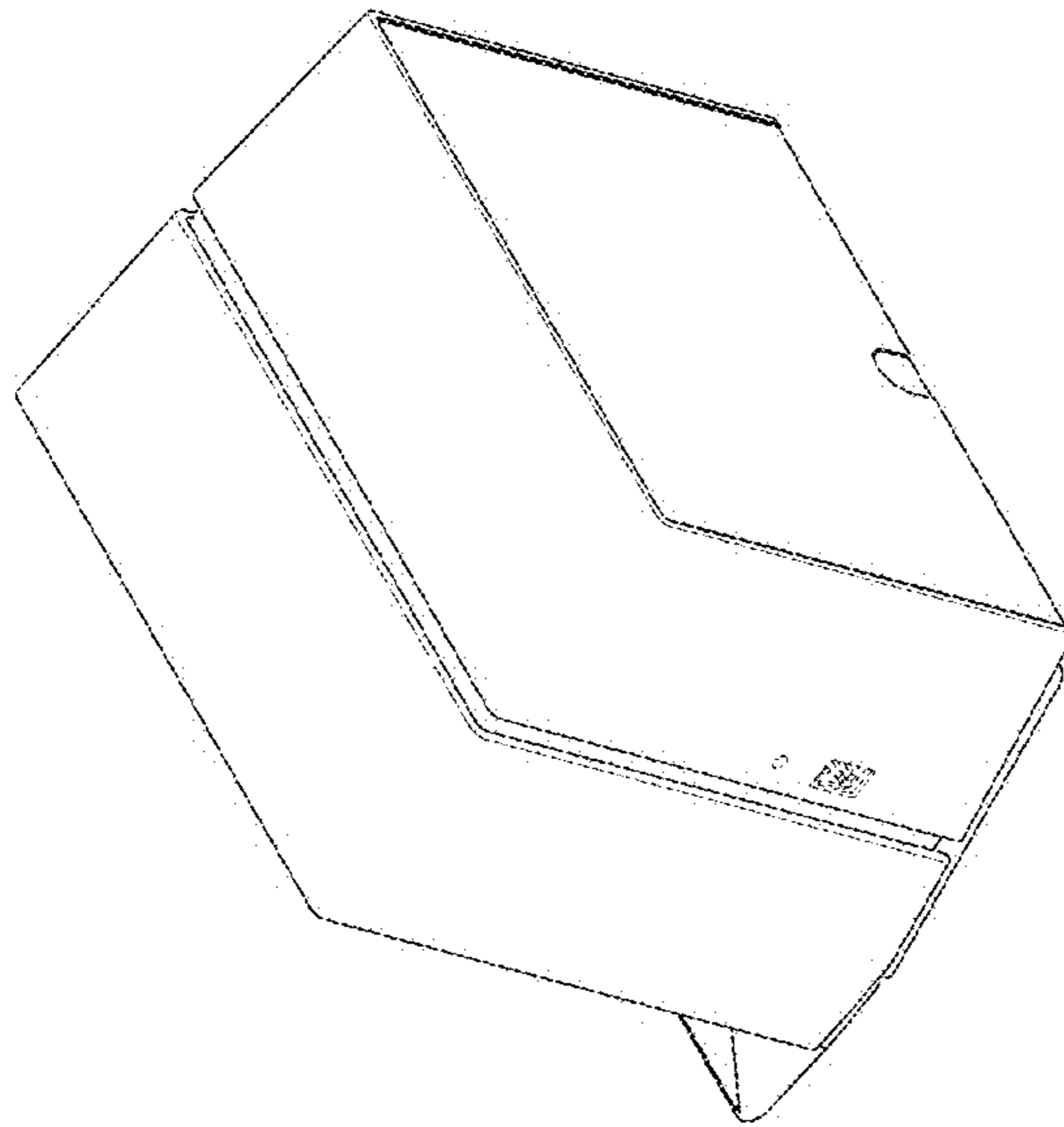
1.5



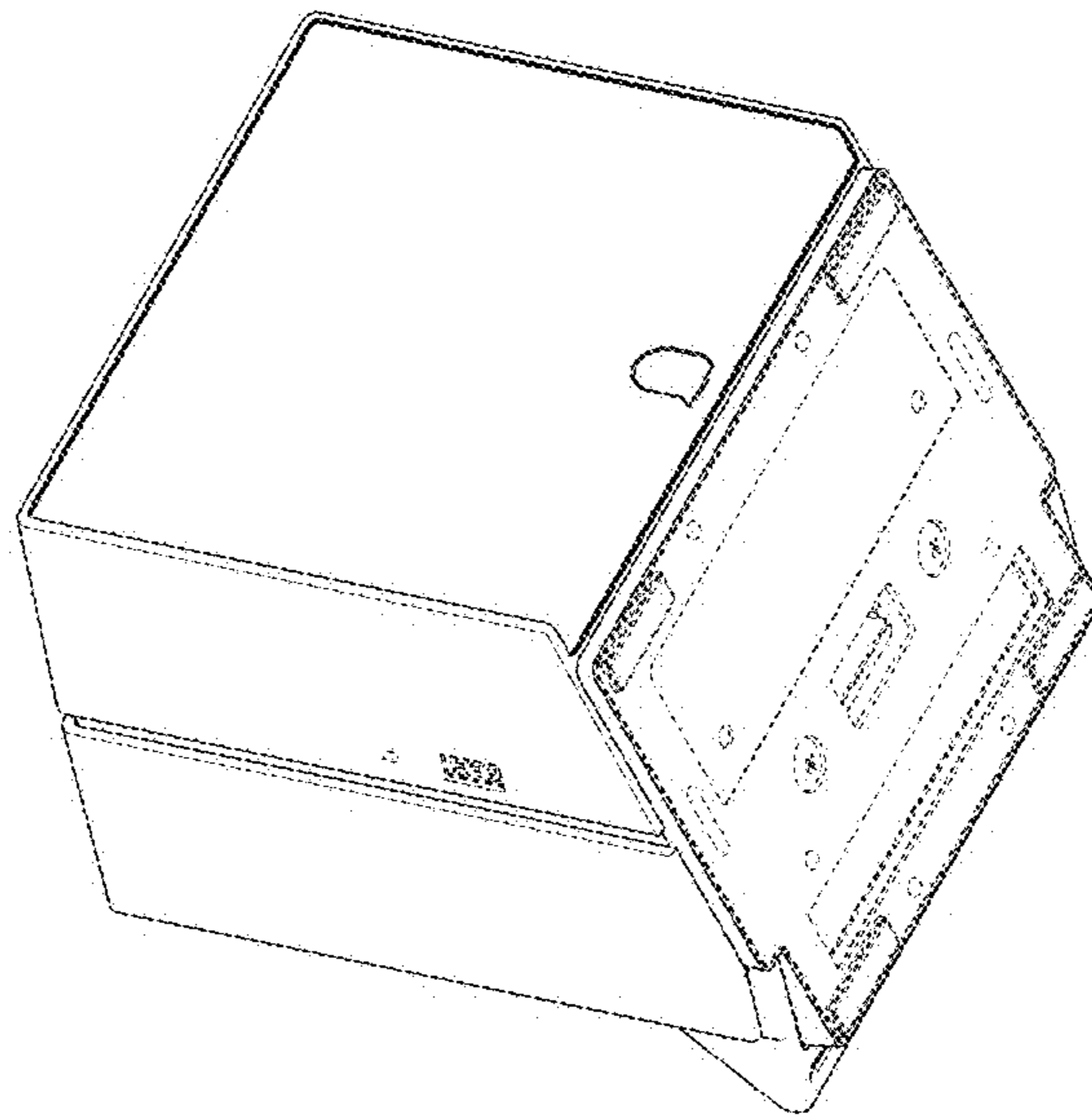
1.6



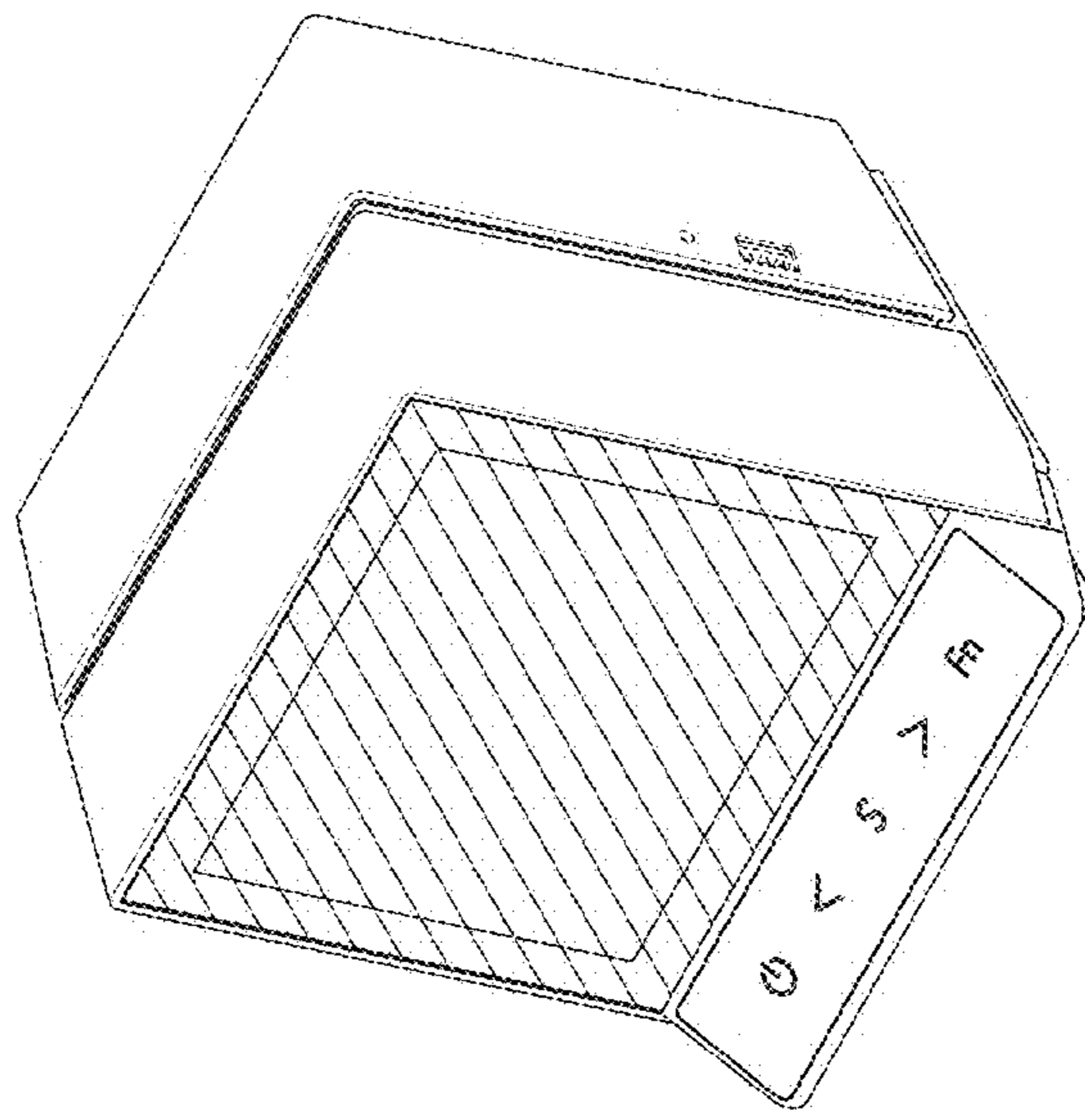
1.7



1.8



1.9



1.10