



US00D949342S

(12) **United States Design Patent**  
**Tran et al.**

(10) **Patent No.:** **US D949,342 S**  
(45) **Date of Patent:** **\*\* Apr. 19, 2022**

- (54) **OCULAR IMPLANT**
- (71) Applicant: **NEW WORLD MEDICAL, INC.,**  
Rancho Cucamonga, CA (US)
- (72) Inventors: **Joey Tran**, Ontario, CA (US); **Malik Y. Kahook**, Denver, CO (US)
- (73) Assignee: **NEW WORLD MEDICAL, INC.,**  
Rancho Cucamonga, CA (US)
- (\*\*) Term: **15 Years**
- (21) Appl. No.: **29/667,490**
- (22) Filed: **Oct. 22, 2018**
- (51) **LOC (13) Cl.** ..... **24-02**
- (52) **U.S. Cl.**  
USPC ..... **D24/157**  
CPC ..... **A61F 9/00781** (2013.01)
- (58) **Field of Classification Search**  
USPC ..... D24/155–157  
CPC ..... A61F 9/00781; A61F 2/16; A61F 2/1602;  
A61F 2/1613; A61F 2/1648  
See application file for complete search history.

- 7,776,002 B2 \* 8/2010 Molteno ..... A61F 9/00781  
604/9
- 8,702,639 B2 \* 4/2014 Van Der Mooren .....  
A61F 9/00781  
606/4
- 9,226,851 B2 \* 1/2016 Gunn ..... A61B 3/16  
(Continued)

**OTHER PUBLICATIONS**

Cantor, Louis B., "Using the Baerveldt Glaucoma Implant The clinical benefits of this single-quadrant device.", *Glaucoma Today*, Sep./Oct. 2005, retrieved from [http://glaucomatoday.com/pdfs/0905\\_10.pdf](http://glaucomatoday.com/pdfs/0905_10.pdf).

(Continued)

*Primary Examiner* — Richard E Chilcot  
(74) *Attorney, Agent, or Firm* — Morgan, Lewis & Bockius LLP

(57) **CLAIM**

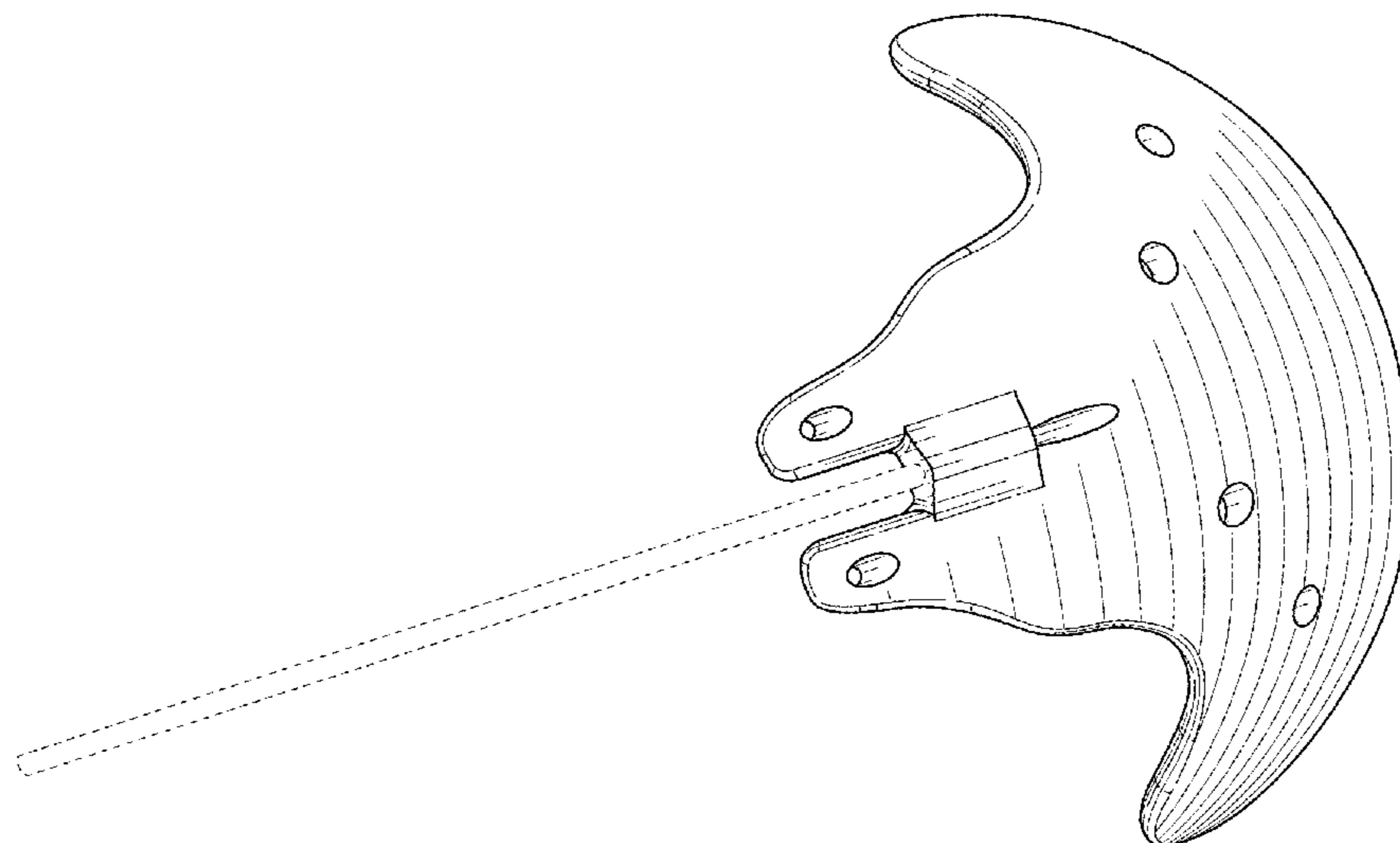
The ornamental design for an ocular implant, as shown and described.

**DESCRIPTION**

FIG. 1 is a perspective view of an ocular implant showing our new design;  
FIG. 2 is a front view thereof;  
FIG. 3 is a rear view thereof;  
FIG. 4 is a left side view thereof;  
FIG. 5 is a right side view thereof;  
FIG. 6 is a top view thereof;  
FIG. 7 is a bottom view thereof; and,  
FIG. 8 is a perspective view thereof in an implanted configuration in an eye, the eye being an environmental structure which forms no part of the claimed design.  
The broken lines in FIGS. 1-7 illustrate portions of the ocular implant that form no part of the claimed design. The broken lines in FIG. 8 illustrate portions of the ocular implant and the eye that form no part of the claimed design.

**1 Claim, 8 Drawing Sheets**

- (56) **References Cited**  
**U.S. PATENT DOCUMENTS**  
3,866,249 A \* 2/1975 Flom ..... A61F 2/1601  
623/6.12  
D285,345 S \* 8/1986 Shepard ..... D24/157  
4,729,761 A \* 3/1988 White ..... A61F 9/007  
604/8  
5,130,160 A \* 7/1992 Goldberg ..... A61F 2/16  
522/167  
D356,867 S \* 3/1995 Krupin ..... D24/155  
5,681,275 A \* 10/1997 Ahmed ..... A61F 9/00781  
604/9  
D473,943 S \* 4/2003 Rinehart ..... D24/157  
7,025,740 B2 \* 4/2006 Ahmed ..... A61F 9/00781  
604/9  
D549,890 S \* 8/2007 Alfaro ..... D21/661  
7,357,778 B2 \* 4/2008 Bhalla ..... A61F 9/00781  
604/9



(56)

**References Cited**

## U.S. PATENT DOCUMENTS

9,295,389 B2 \* 3/2016 Sanchez ..... A61B 3/16  
9,339,187 B2 \* 5/2016 Rickard ..... A61F 9/00781  
9,381,112 B1 \* 7/2016 Sponsell ..... A61F 9/0017  
9,814,570 B2 \* 11/2017 Robert ..... G02C 7/00  
10,154,925 B2 \* 12/2018 Ahmed ..... A61F 9/00781  
D877,911 S \* 3/2020 Tran ..... D24/157  
2005/0240143 A1 \* 10/2005 Dohlman ..... A61F 9/00781  
604/9  
2008/0035875 A1 \* 2/2008 Tai ..... F16K 99/0005  
29/890.122  
2020/0138629 A1 \* 5/2020 Kahook ..... A61F 9/00781  
2021/0212858 A1 \* 7/2021 Tran ..... A61F 9/0008

## OTHER PUBLICATIONS

Molteno 3-S Series Glaucoma Drainage Device Brochure, Molteno Ophthalmic Limited, Sep. 2017, retrieved from <https://www.molteno.com/files/329/file/Molteno3-S-Series-8-page-brochure-pdf>.

Molteno, Anthony C.B., Molteno 3 Surgical Guide A Step by Step Guide to Inserting Molteno3® Glaucoma Drainage Devices for Delayed or Immediate Drainage and either Translimbal or Pars Plana Insertion, 2006, retrieved from <https://www.molteno.com/files/326/file/Molteno-Surgical-Guide-SG-GDD-0817-pdf>.

Molteno Product Information Sheet, "Molteno® Implants Glaucoma Drainage Devices", Dec. 2017, retrieved from <https://www.molteno.com/files/338/file/Product-Information-Sheet-1217-GPI-pdf>.

\* cited by examiner

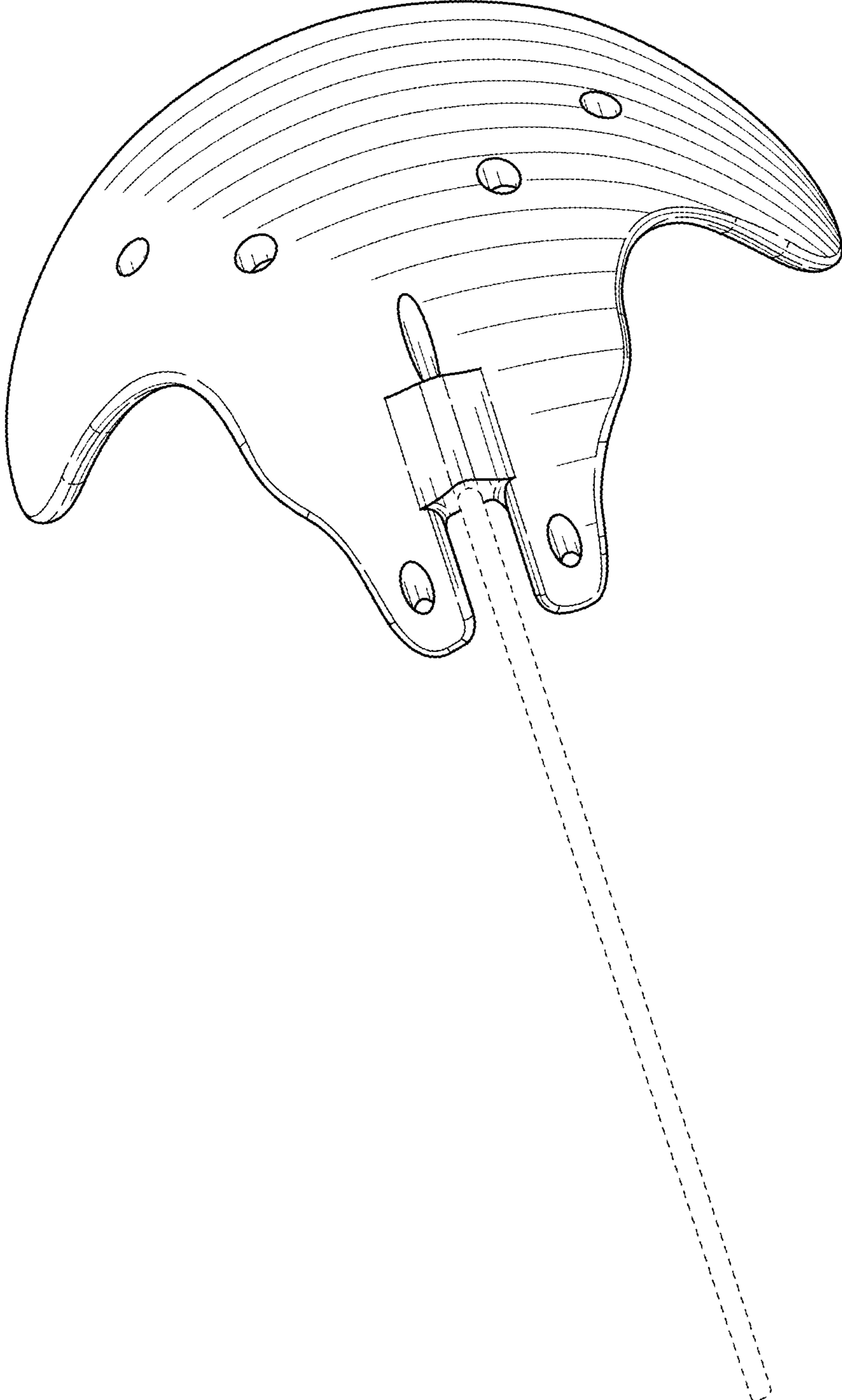


FIG. 1

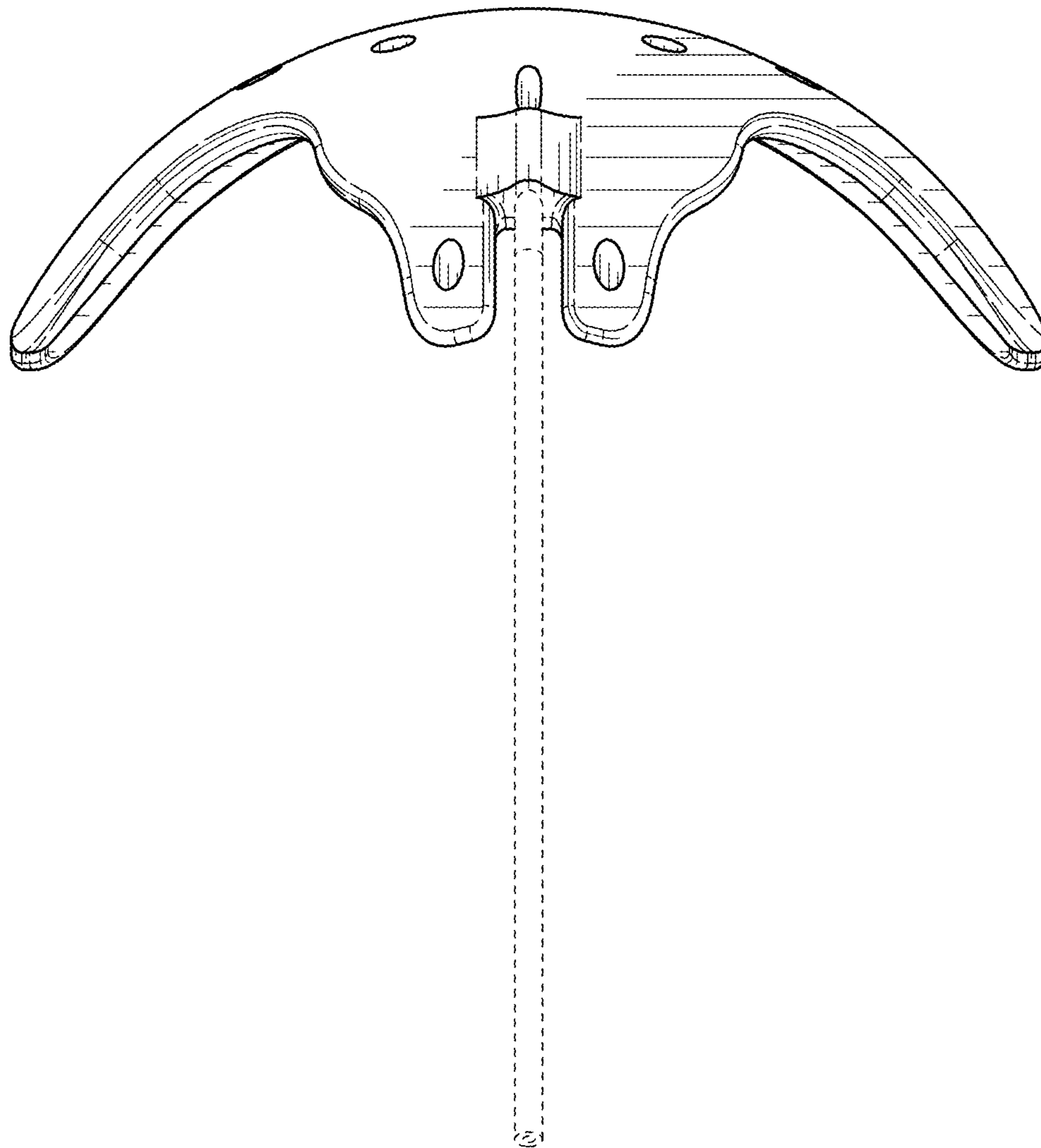


FIG. 2

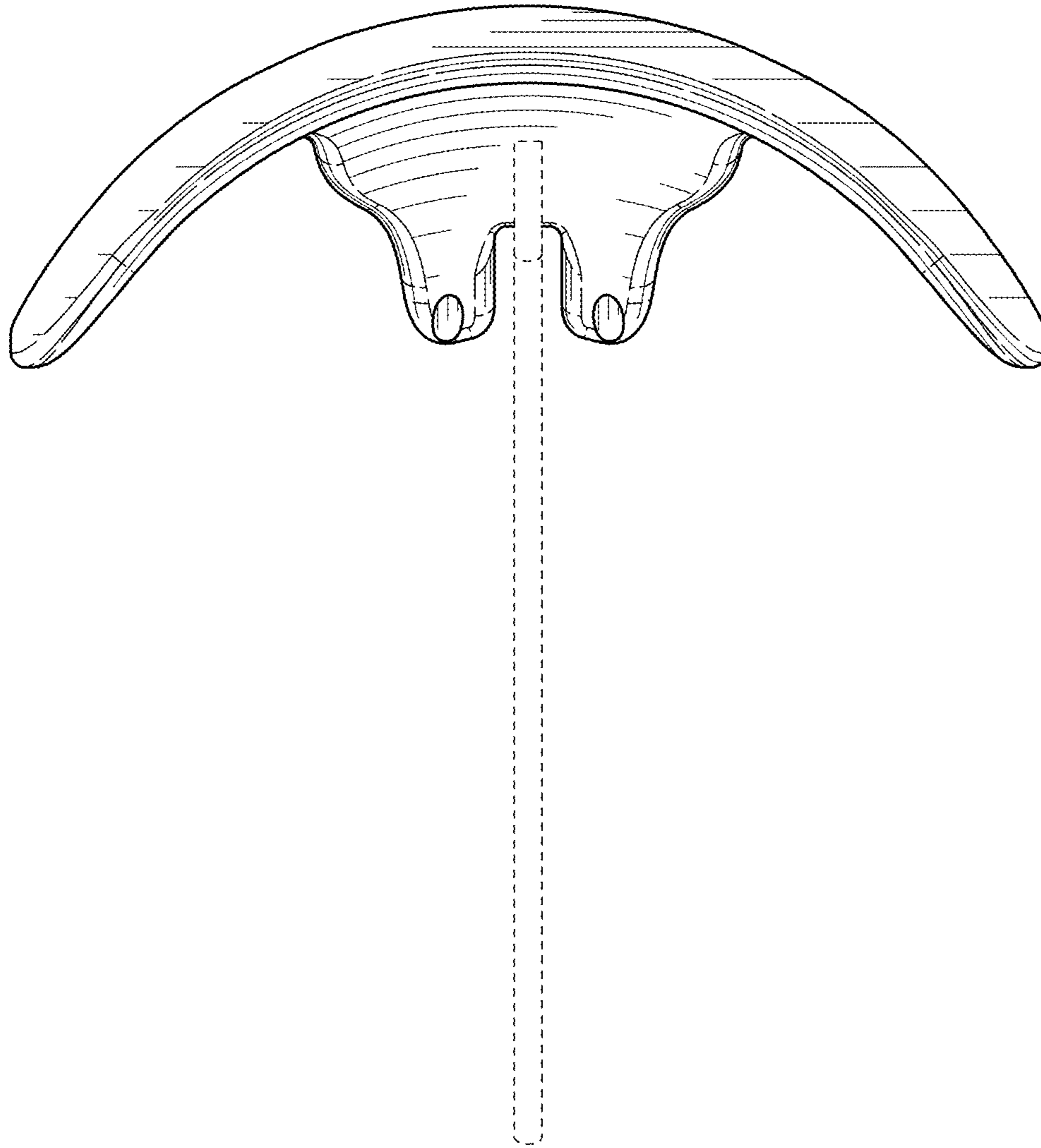


FIG. 3

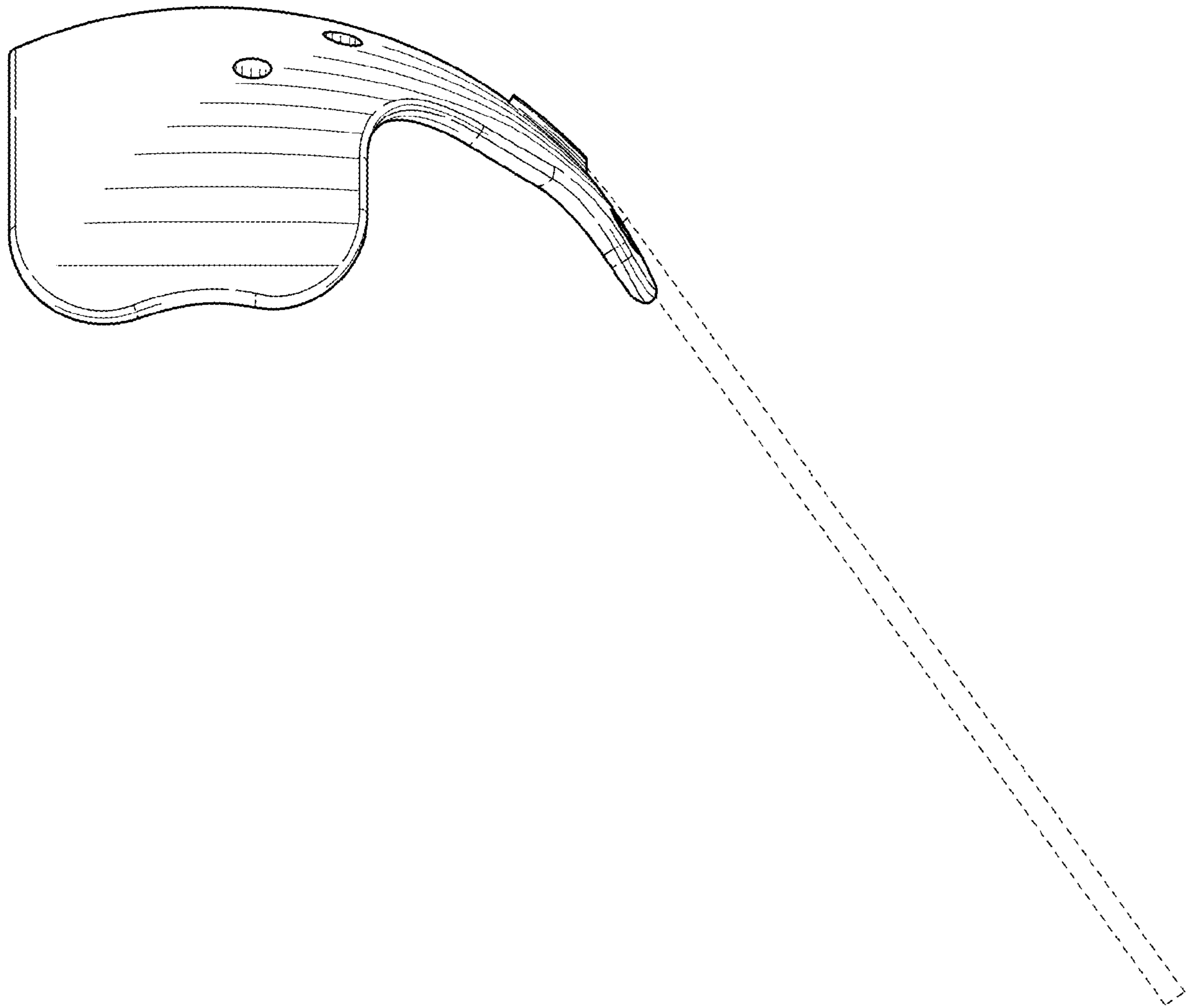


FIG. 4

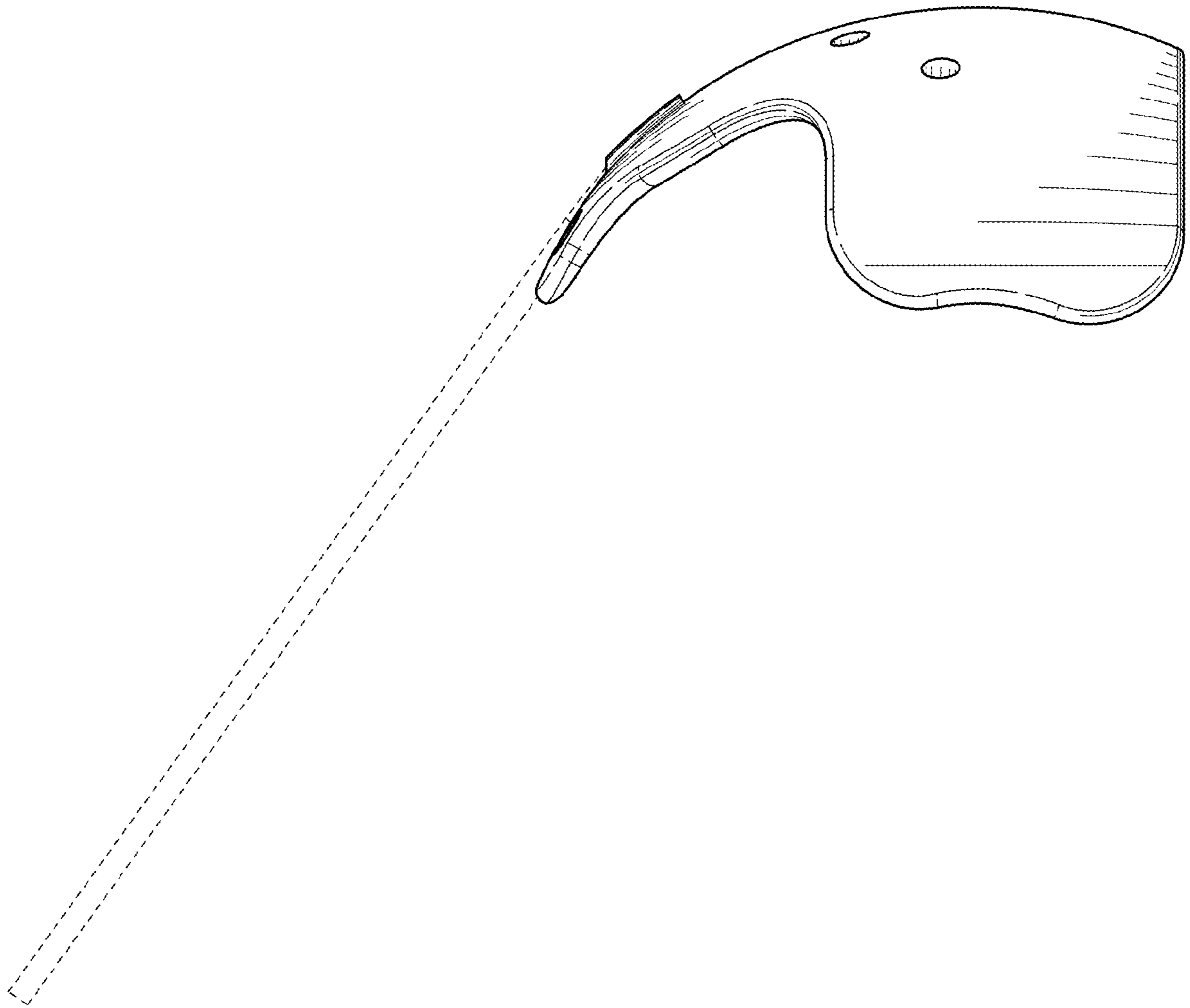


FIG. 5

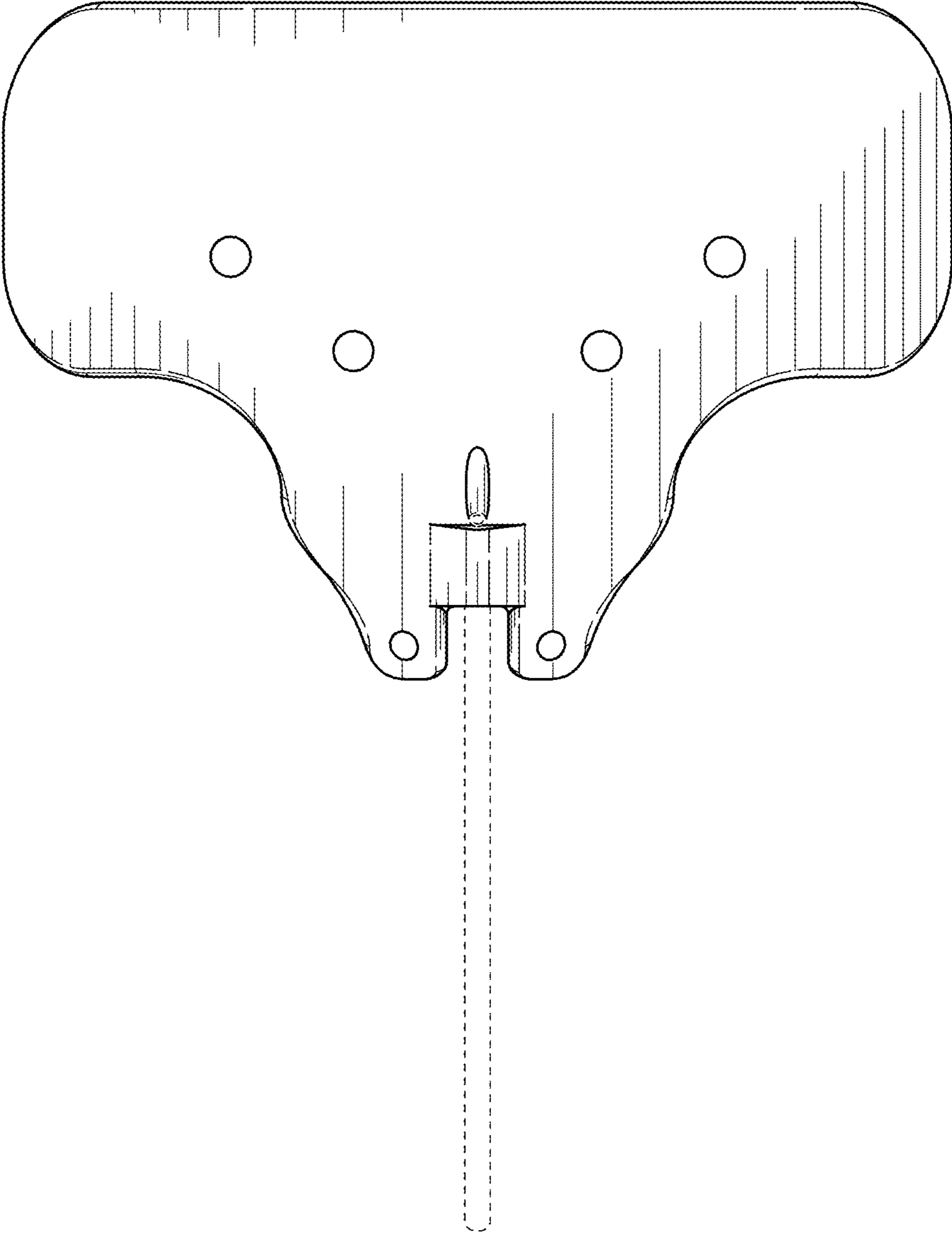


FIG. 6



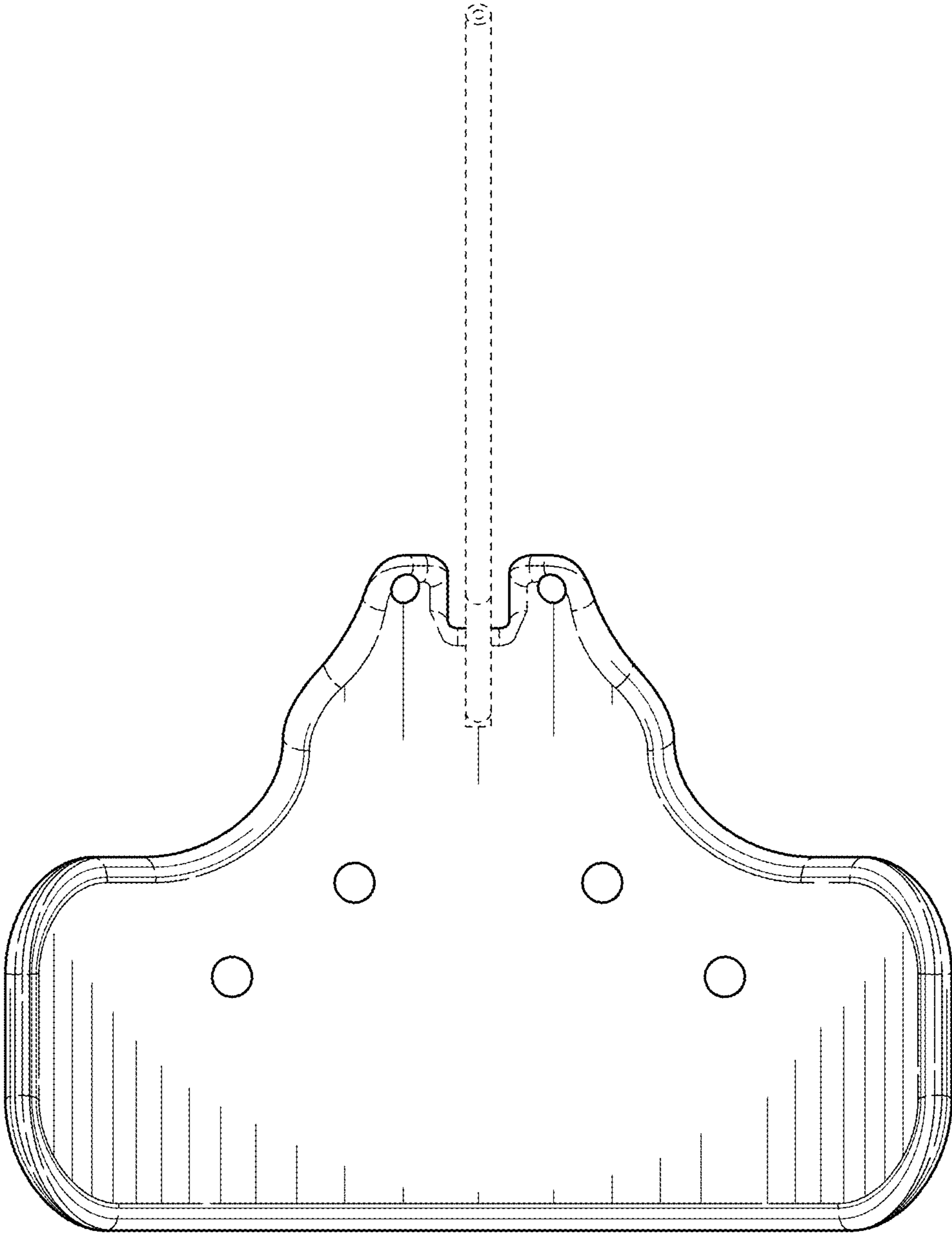


FIG. 7

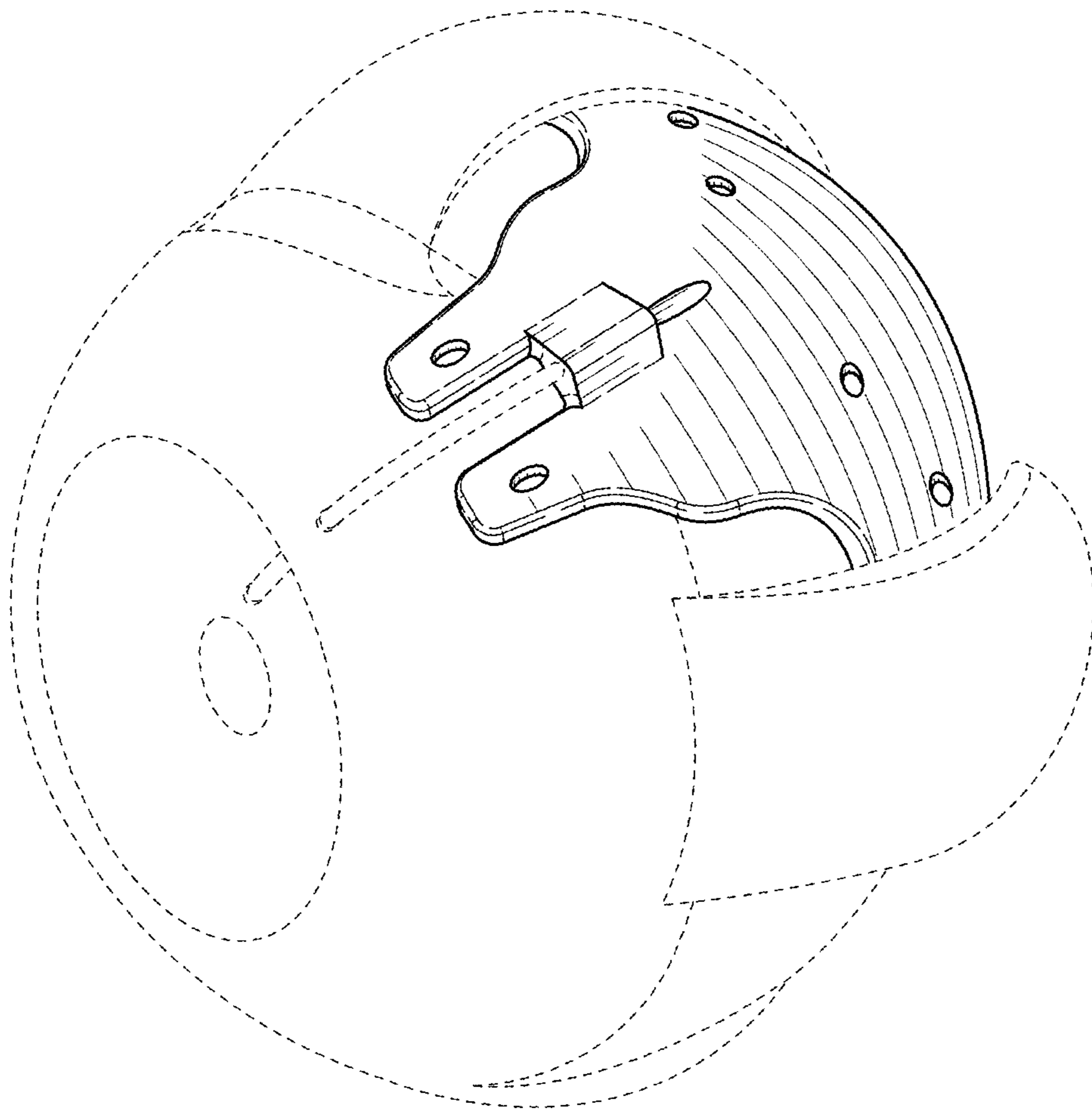


FIG. 8