



US00D949341S

(12) **United States Design Patent** (10) **Patent No.:** **US D949,341 S**
Touchet et al. (45) **Date of Patent:** **** Apr. 19, 2022**

(54) **BONE FIXATION PLATE**

FOREIGN PATENT DOCUMENTS

(71) Applicant: **TRILLIANT SURGICAL LLC**,
Houston, TX (US)

EP 1649819 4/2006

(72) Inventors: **Tyler Touchet**, Cypress, TX (US);
Christopher Radzicki, Cypress, TX
(US); **Daniel Jobe**, Houston, TX (US)

OTHER PUBLICATIONS

P. Cronier, et al. "The concept of locking plates," Orthopaedics &
Traumatology: Surgery & Research, 2010, 20 pages total.

(73) Assignee: **TRILLIANT SURGICAL LLC**,
Houston, TX (US)

(Continued)

(**) Term: **15 Years**

Primary Examiner — Charles D Hanson

(74) *Attorney, Agent, or Firm* — Veros Legal Solutions,
LLP

(21) Appl. No.: **29/752,893**

(22) Filed: **Sep. 29, 2020**

(57) **CLAIM**

(51) **LOC (13) Cl.** **24-03**

We claim the ornamental design for a bone fixation plate, as
shown and described.

(52) **U.S. Cl.**

USPC **D24/155**

(58) **Field of Classification Search**

USPC D24/155

CPC A61B 17/8061; A61B 17/7059; A61B
17/8052; A61B 17/8605; A61B 17/8085;
A61B 17/809; A61B 17/8014; A61B
17/8033; A61B 17/8004; A61B 17/888;
A61B 17/842; A61B 17/8023; A61B
17/8009; A61B 17/86; A61B 17/1739;
A61B 17/8066; A61B 17/1671; A61B
17/1757; A61B 17/8071; A61B 17/176;
A61B 2017/1782; A61B 2017/1775

See application file for complete search history.

DESCRIPTION

FIG. 1 is a perspective view of a bone fixation plate in
accordance with the present invention;
FIG. 2 is a front plan view thereof;
FIG. 3 is a rear plan view thereof;
FIG. 4 is a left side plan view thereof;
FIG. 5 is a right side plan view thereof;
FIG. 6 is a top plan view thereof;
FIG. 7 is a bottom plan view thereof;
FIG. 8 is a perspective view of another embodiment of a
bone fixation plate in accordance with the present invention;
FIG. 9 is a front plan view thereof;
FIG. 10 is a rear plan view thereof;
FIG. 11 is a left side plan view thereof;
FIG. 12 is a right side plan view thereof;
FIG. 13 is a top plan view thereof; and,
FIG. 14 is a bottom plan view thereof.

The broken lines showing the remainder of the bone fixation
plate are depicted to environment. None of the broken lines
form a part of the claimed design.

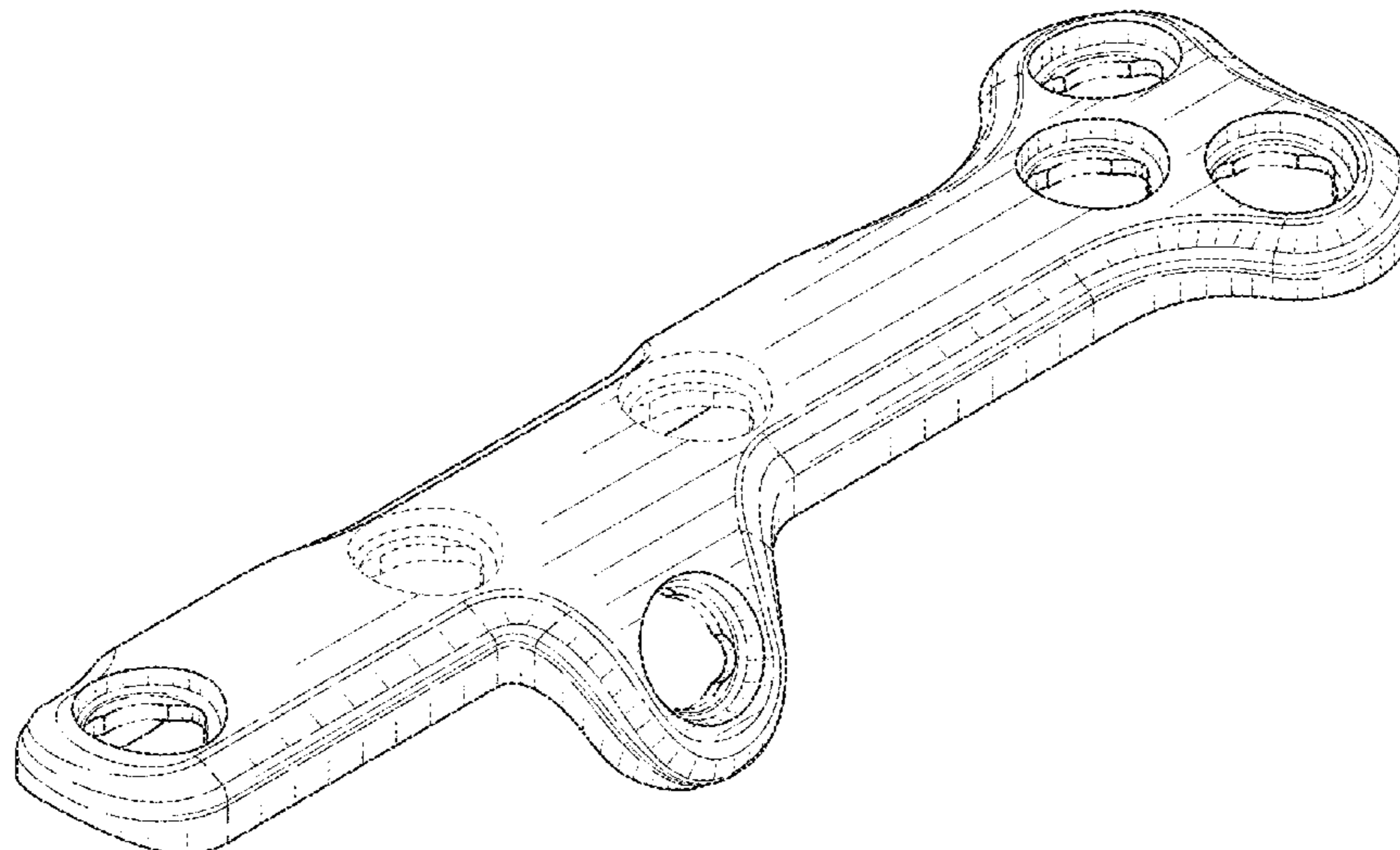
(56) **References Cited**

U.S. PATENT DOCUMENTS

6,955,677 B2 10/2005 Dahners
D520,637 S * 5/2006 Kay D24/155
7,137,987 B2 11/2006 Patterson et al.
7,220,263 B2 5/2007 Cordaro
7,273,481 B2 9/2007 Lombardo et al.
7,309,340 B2 12/2007 Fallin et al.
7,682,379 B2 3/2010 Mathieu et al.

(Continued)

1 Claim, 8 Drawing Sheets



(56)

References Cited

U.S. PATENT DOCUMENTS

7,766,948 B1 8/2010 Leung
 7,935,137 B2 5/2011 Gorhan et al.
 7,963,981 B2 6/2011 Binder et al.
 D648,027 S * 11/2011 Vancelette D24/155
 8,105,367 B2 1/2012 Austin et al.
 8,118,847 B2 2/2012 Wallenstein et al.
 8,118,848 B2 2/2012 Ducharme et al.
 8,257,403 B2 9/2012 Den et al.
 8,343,196 B2 1/2013 Schneider
 8,403,969 B2 3/2013 Wallenstein et al.
 8,496,692 B2 7/2013 Bhatnagar et al.
 8,535,354 B2 9/2013 Cummins
 8,574,268 B2 11/2013 Chan et al.
 8,721,693 B2 5/2014 Cawley et al.
 8,834,536 B2 9/2014 Elsbury
 8,906,076 B2 12/2014 Mocanu et al.
 8,940,026 B2 * 1/2015 Hilse A61B 17/8014
 606/282
 8,940,028 B2 1/2015 Austin et al.
 D724,734 S 3/2015 Baker et al.
 8,968,368 B2 3/2015 Tepic
 9,101,407 B2 8/2015 Altarac et al.
 9,103,367 B2 8/2015 Arnett
 9,125,699 B2 9/2015 Zahrly et al.
 9,131,973 B2 9/2015 Rollinghoff et al.
 D740,943 S * 10/2015 Neufeld A61B 17/8061
 D24/155
 9,168,075 B2 10/2015 Dell'oca
 9,186,189 B2 11/2015 Campbell et al.
 9,387,022 B2 7/2016 Koay et al.
 9,404,525 B2 8/2016 Arnet
 D765,844 S * 9/2016 DaCosta D24/155
 D766,439 S * 9/2016 DaCosta D24/155
 D780,922 S * 3/2017 Dacosta D24/155
 D780,926 S * 3/2017 DaCosta D24/155
 9,687,282 B2 6/2017 Stmad et al.
 9,707,021 B2 7/2017 Hashmi et al.
 9,707,097 B2 7/2017 Shea et al.
 9,743,965 B2 8/2017 Kobayashi et al.
 9,839,456 B2 12/2017 Kobayashi et al.
 9,848,924 B2 12/2017 Wolf et al.
 9,895,181 B2 2/2018 Hashmi et al.
 9,924,984 B2 3/2018 Hartdegen et al.
 D814,635 S 4/2018 Asfora et al.
 9,949,773 B2 4/2018 Dacosta et al.
 9,987,062 B2 6/2018 Epperly
 10,080,598 B2 9/2018 Austin et al.
 10,092,338 B2 10/2018 Hashmi et al.

10,123,830 B2 11/2018 Von et al.
 10,149,707 B2 12/2018 Black
 10,251,685 B2 4/2019 Wiederkehr
 10,258,395 B2 4/2019 Pak et al.
 10,314,626 B2 6/2019 Koay et al.
 D857,899 S 8/2019 Blacklidge et al.
 10,390,866 B2 8/2019 Baker et al.
 D869,657 S * 12/2019 Hollis D24/155
 10,582,958 B2 3/2020 Wotton
 D891,619 S * 7/2020 Hollis D24/155
 10,743,922 B1 8/2020 Touchet et al.
 D932,012 S * 9/2021 DaCosta D24/155
 2008/0051786 A1 * 2/2008 Jensen A61B 17/8057
 606/86 A
 2008/0208259 A1 8/2008 Gilbert et al.
 2008/0300637 A1 12/2008 Austin et al.
 2009/0210010 A1 * 8/2009 Strnad A61B 17/8014
 606/280
 2009/0312759 A1 12/2009 Ducharme et al.
 2010/0312286 A1 12/2010 Dell'oca
 2011/0015681 A1 1/2011 Elsbury
 2015/0374421 A1 12/2015 Rocci et al.
 2016/0113692 A1 4/2016 Knoepfle
 2016/0213406 A1 7/2016 Binder et al.
 2016/0354128 A1 12/2016 Jeng et al.
 2018/0064476 A1 3/2018 Lopez et al.
 2018/0064477 A1 3/2018 Lopez et al.
 2018/0199966 A1 7/2018 Grady, Jr. et al.
 2018/0250043 A1 9/2018 Rapalo et al.
 2019/0000518 A1 1/2019 Flint et al.
 2019/0105089 A1 4/2019 Hashmi et al.
 2019/0290338 A1 9/2019 Bosshard et al.
 2019/0321195 A1 10/2019 Shea et al.
 2020/0000502 A1 1/2020 Baker et al.
 2020/0170692 A1 6/2020 Bush, Jr. et al.
 2020/0197056 A1 6/2020 Rush et al.
 2020/0237418 A1 7/2020 Courtney et al.

OTHER PUBLICATIONS

International Searching Authority, "Notification of Transmittal of the International Search Report and the Written Opinion of the International Searching Authority," dated Jul. 2, 2020, in International application No. PCT/US2019/053743.
 Wikipedia, "Countersink," accessed Sep. 24, 2019, 4 pages total, URL: <https://en.wikipedia.org/wiki/Countersink>.
 Wikipedia, "Counterbore," access Sep. 24, 2019, 3 pages total, URL: <https://en.wikipedia.org/wiki/Counterbore>.

* cited by examiner

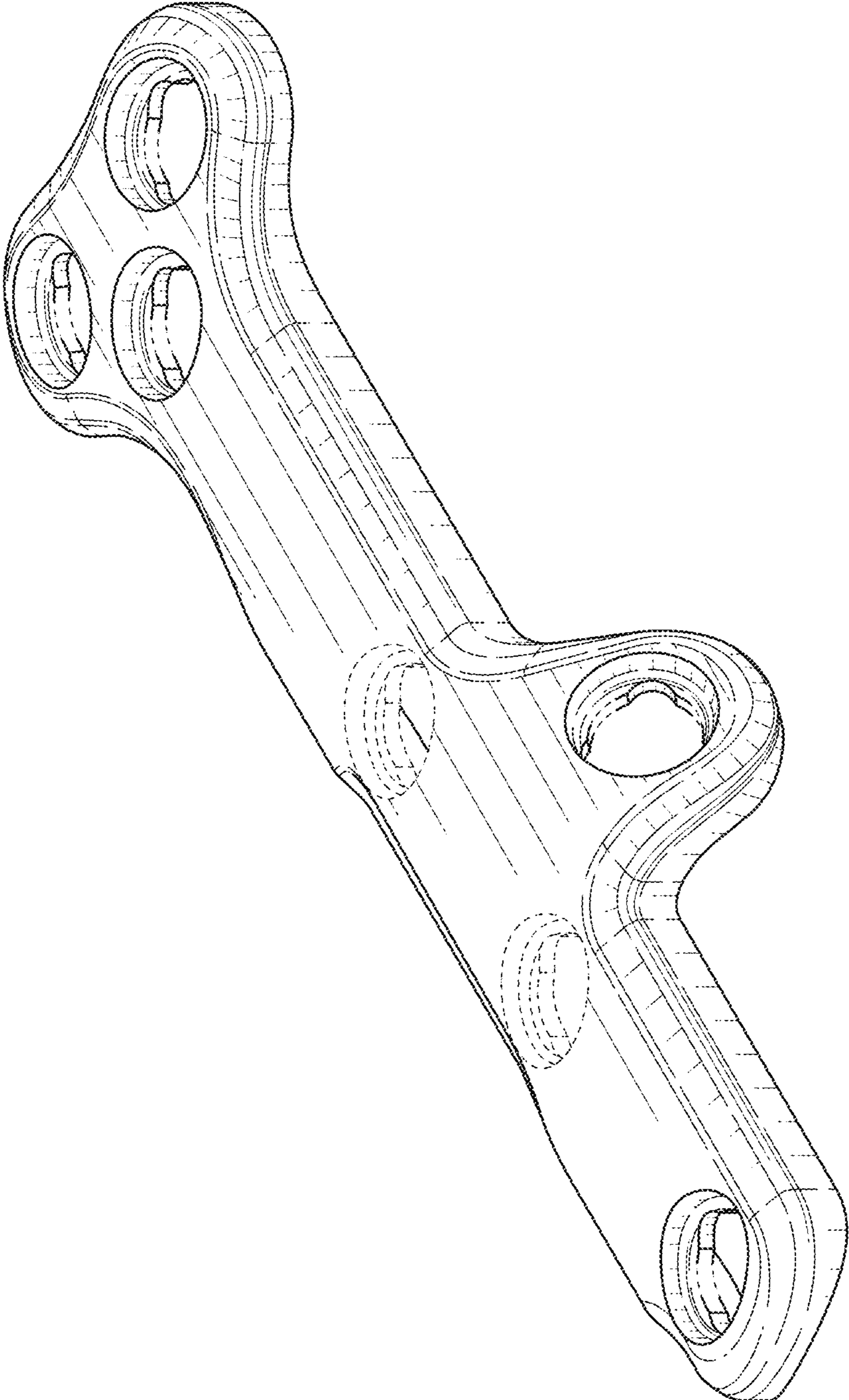


FIG. 1

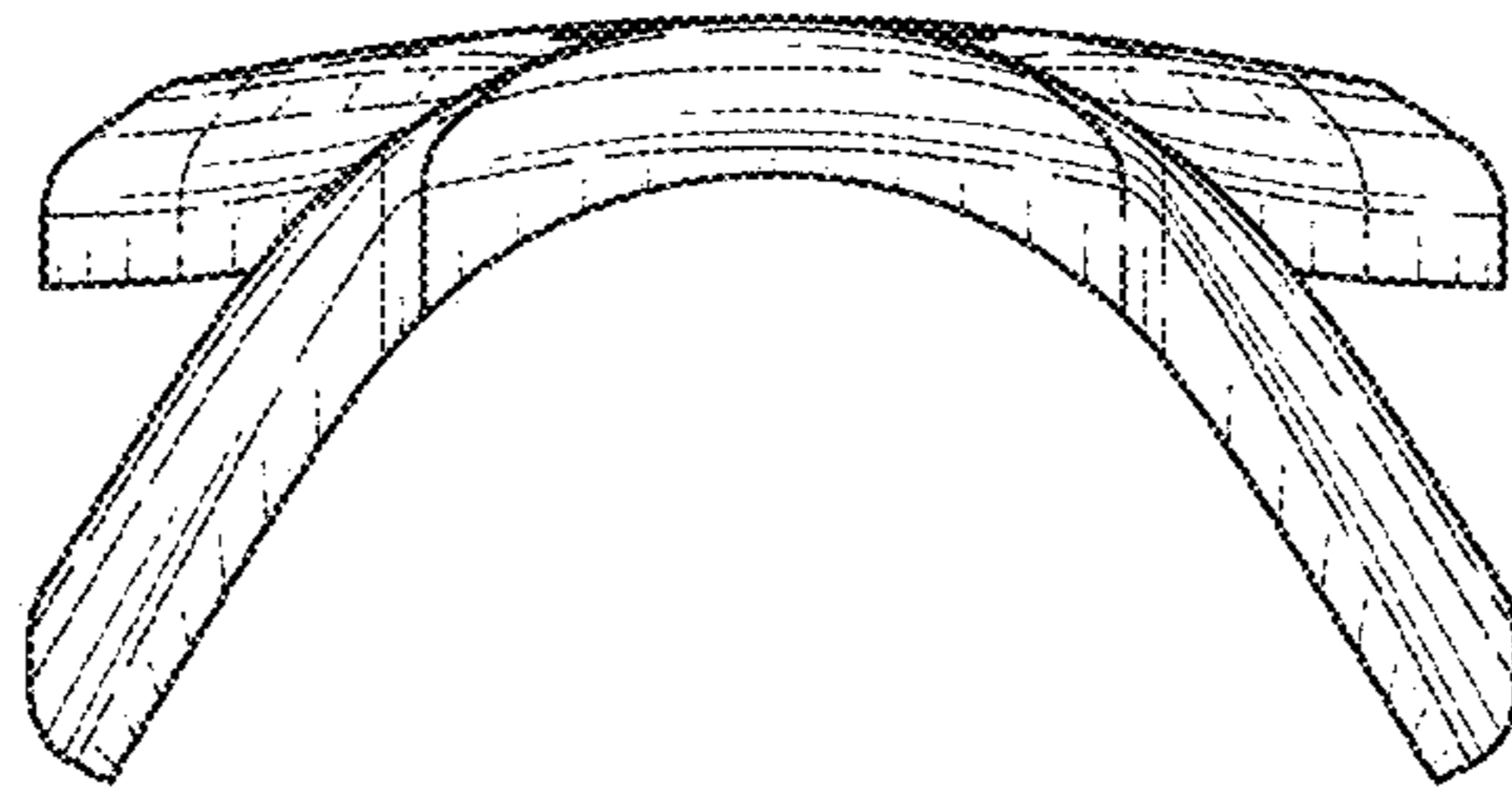


FIG. 2

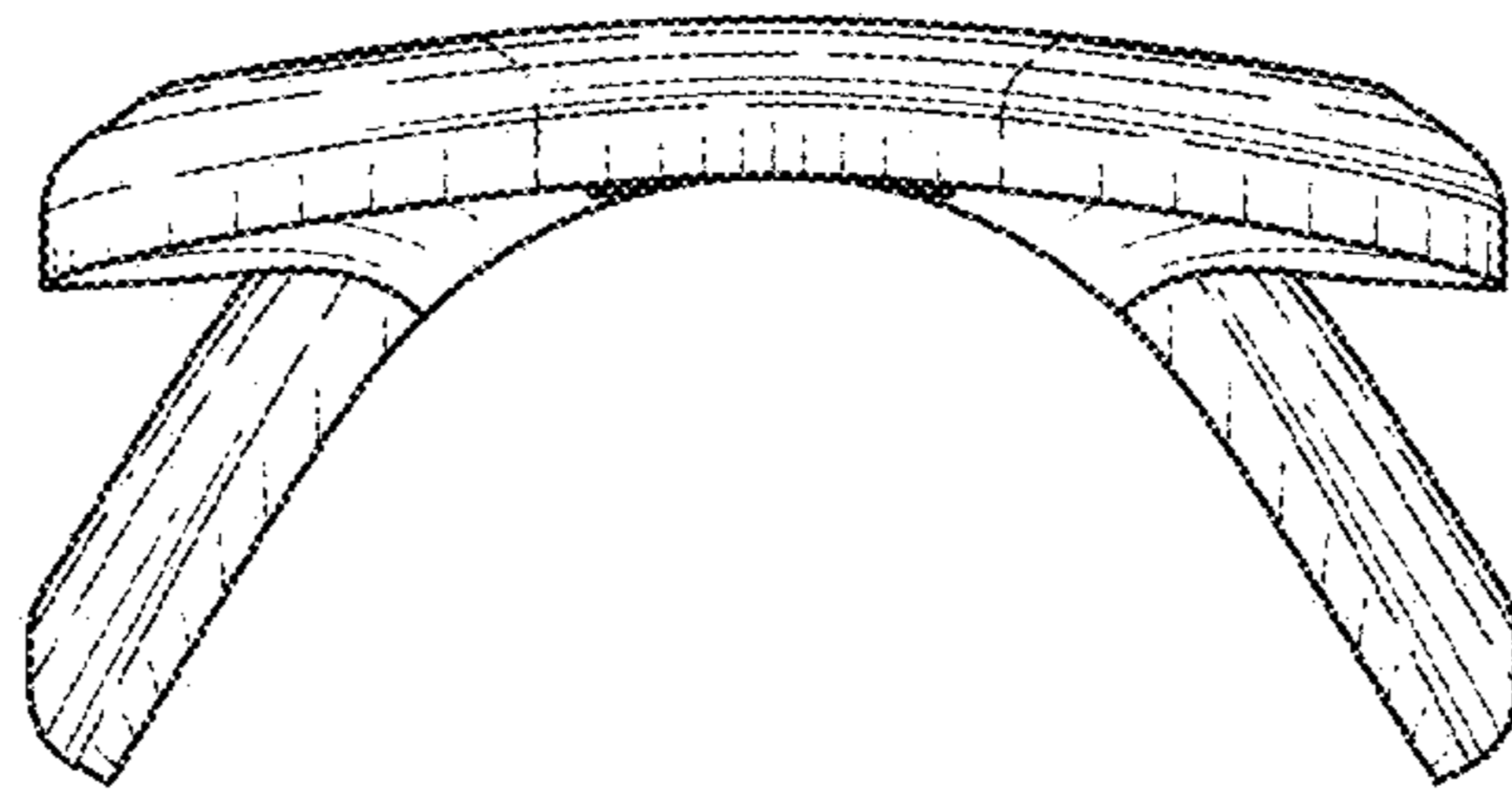


FIG. 3

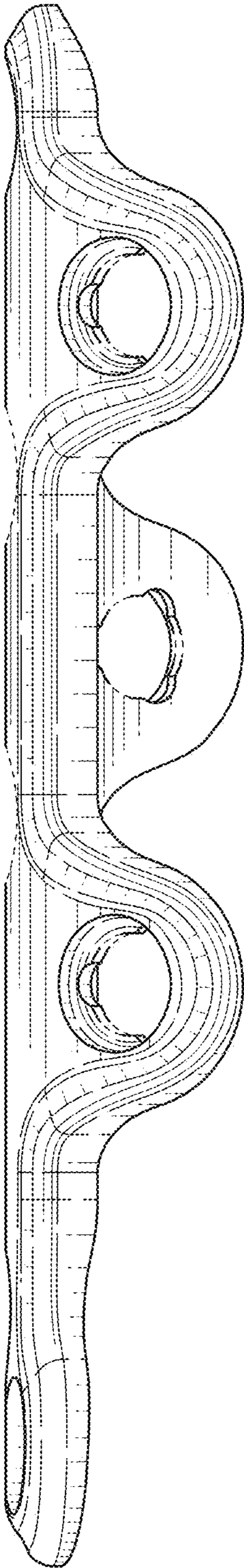


FIG. 4

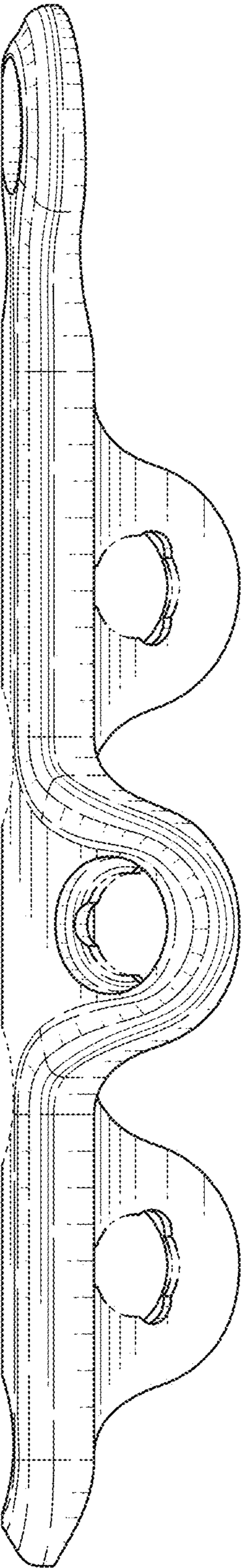


FIG. 5

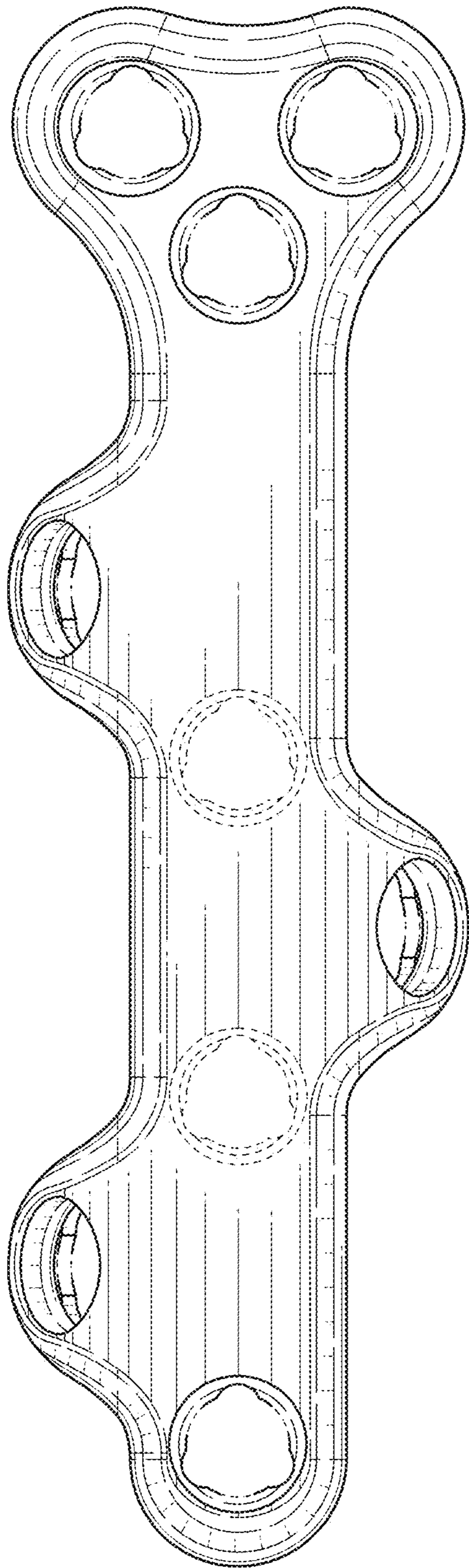


FIG. 6

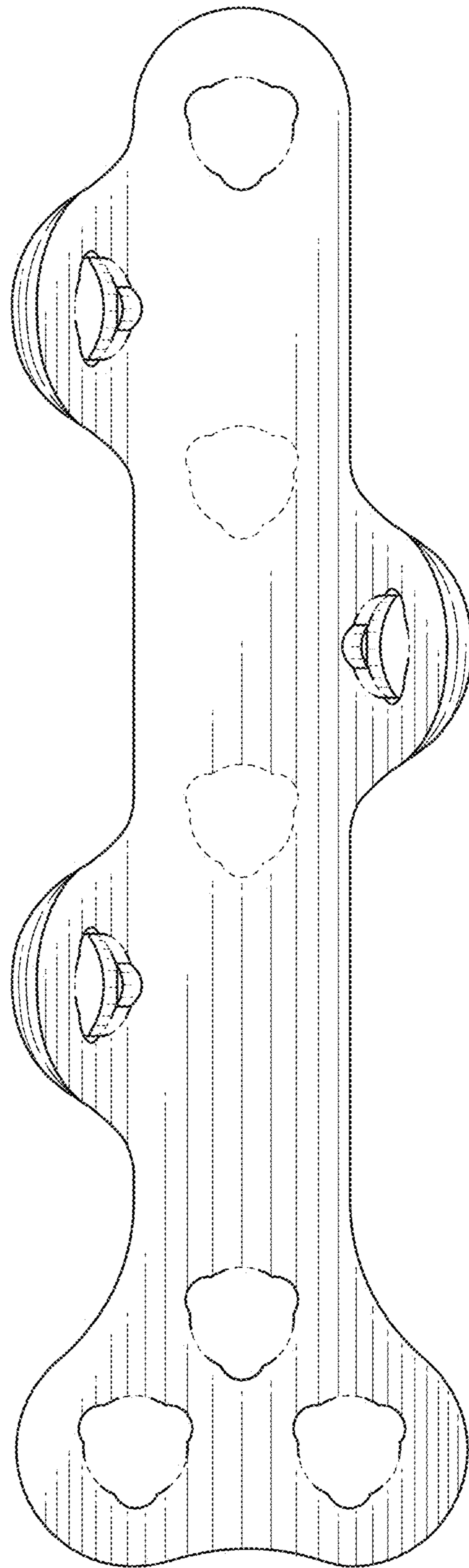


FIG. 7

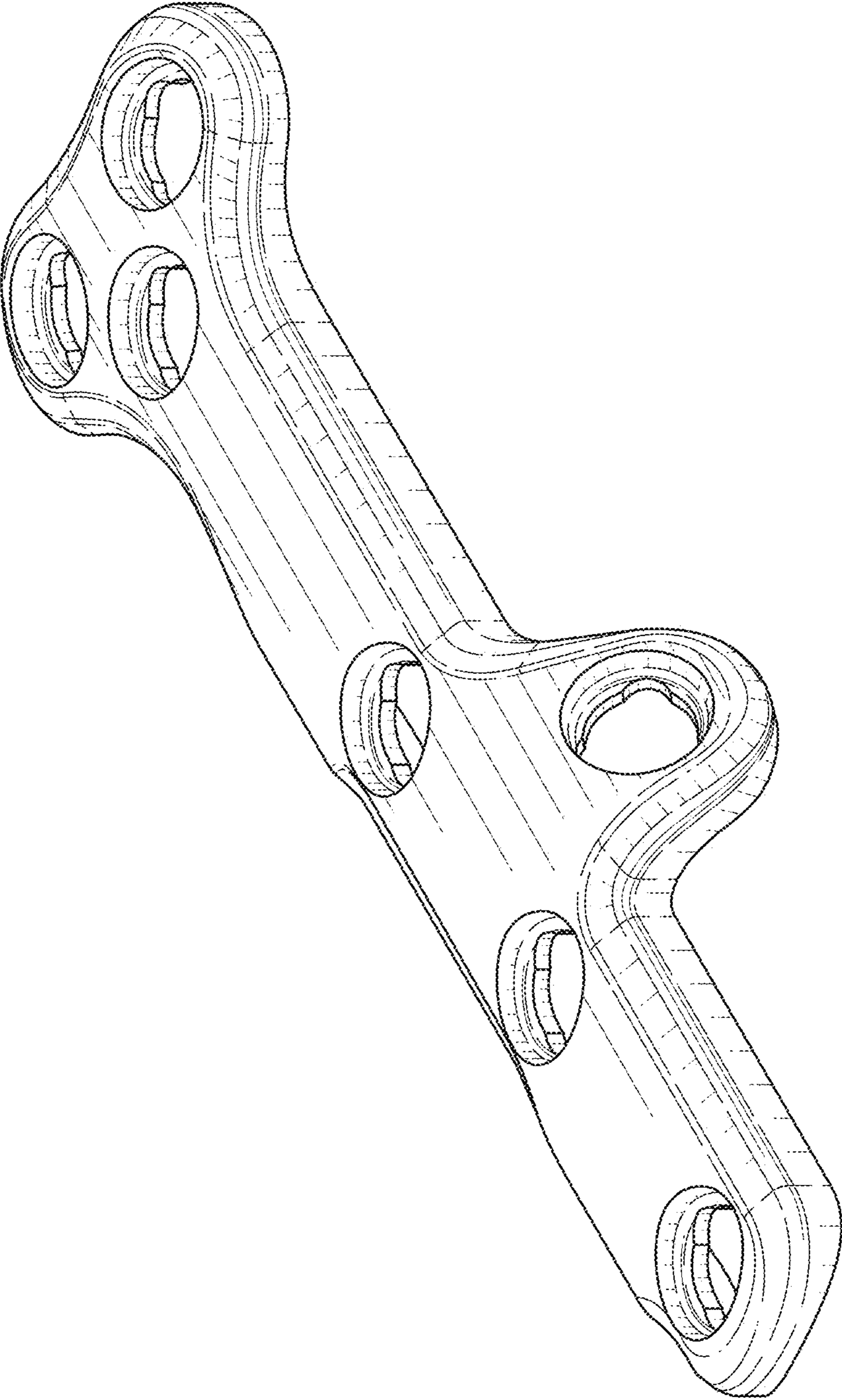


FIG. 8

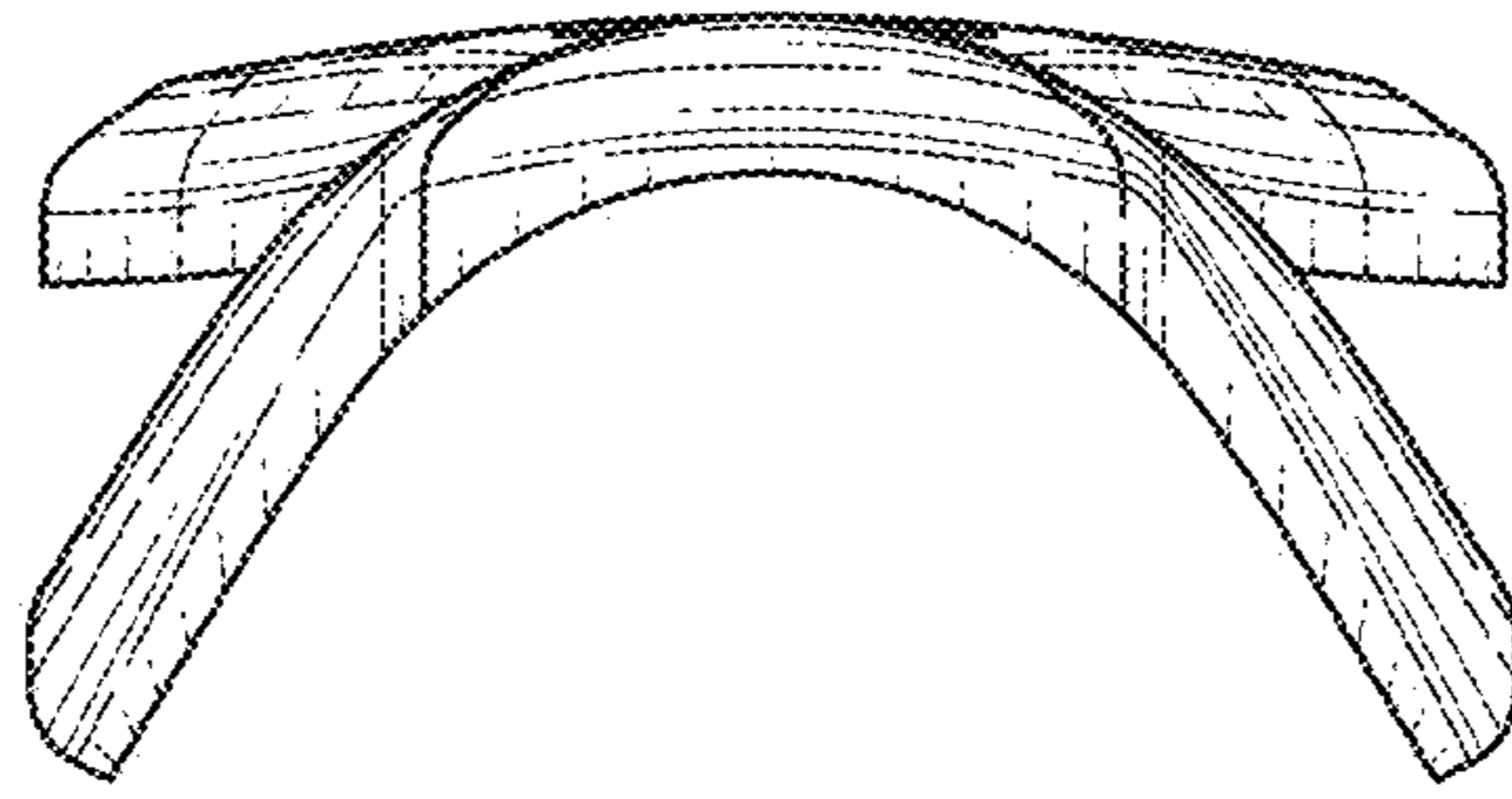


FIG. 9

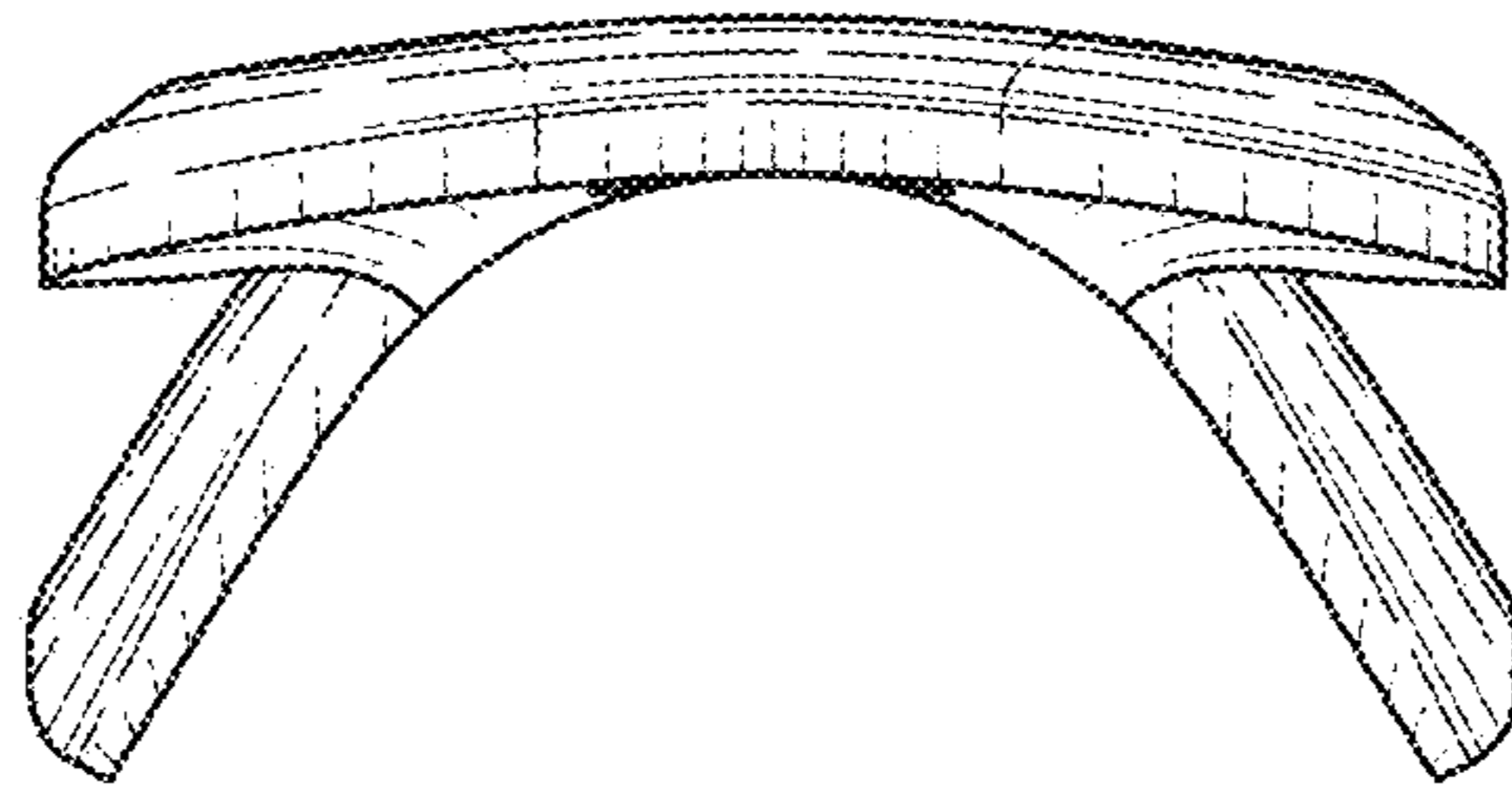


FIG. 10

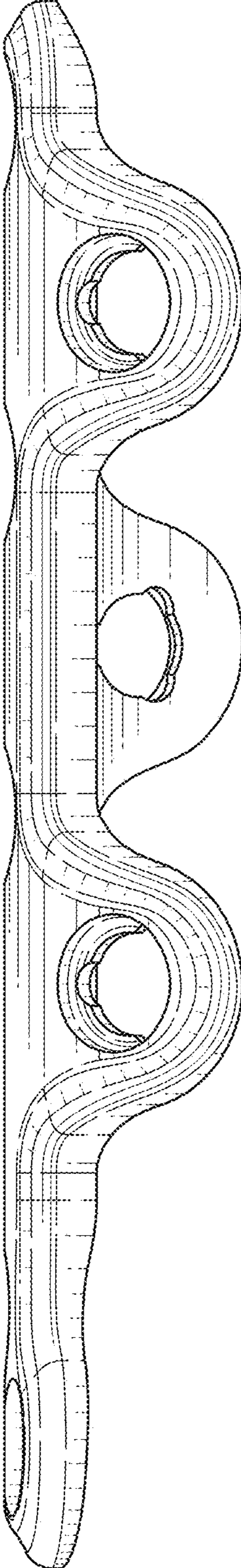


FIG. 11

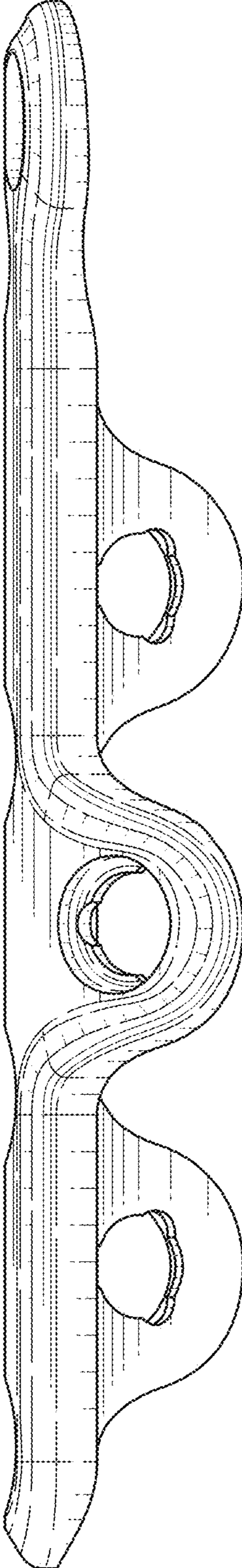


FIG. 12

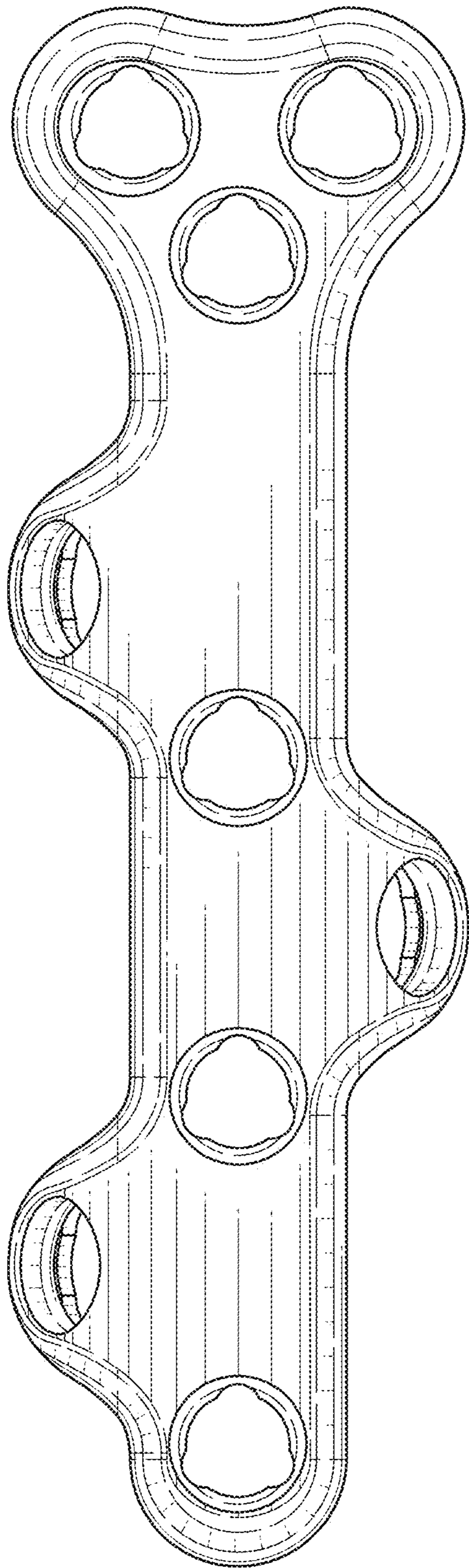


FIG. 13

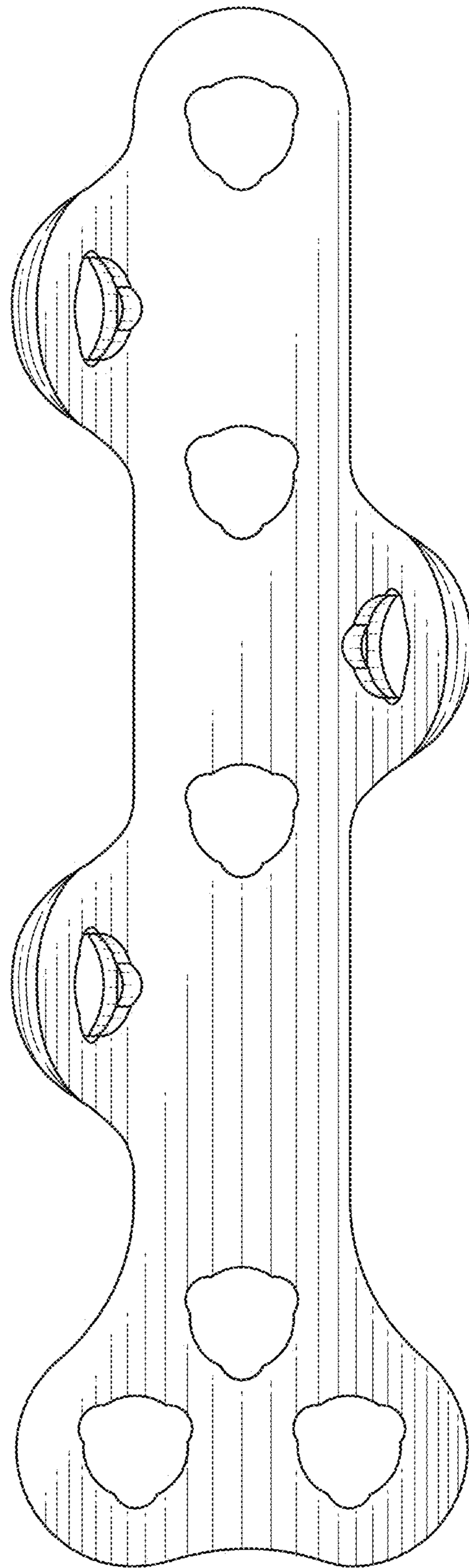


FIG. 14