



US00D949340S

(12) **United States Design Patent** (10) **Patent No.:** **US D949,340 S**
Wollweber et al. (45) **Date of Patent:** **** Apr. 19, 2022**

(54) **SURGICAL CONTACT GLASS**
(71) Applicant: **Carl Zeiss Meditec AG**, Jena (DE)
(72) Inventors: **Thomas Wollweber**, Eckartsberga (DE); **Delbert Peter Andrews**, Oberkochen (DE); **Michael Stefan Rill**, Jena (DE); **Tobias Damm**, Munich (DE); **Christian Poessel**, Weimar (DE)

(73) Assignee: **Carl Zeiss Meditec AG**, Jena (DE)

(**) Term: **15 Years**

(21) Appl. No.: **29/639,001**

(22) Filed: **Mar. 2, 2018**

(30) **Foreign Application Priority Data**

Sep. 5, 2017 (DE) 40 2017 001 065.4

(51) **LOC (13) Cl.** **24-02**

(52) **U.S. Cl.**
USPC **D24/150**

(58) **Field of Classification Search**
USPC D24/112, 127, 129, 130, 133, 147, 150
CPC A61F 2/14; A61F 2/167; A61F 2/1662;
A61F 2/1664; B65D 83/10
See application file for complete search history.

(56) **References Cited**

U.S. PATENT DOCUMENTS

D387,162 S * 12/1997 Zeimer D24/133
D441,447 S * 5/2001 Hjertman D24/133
D621,508 S * 8/2010 Bindra D24/150
D642,266 S * 7/2011 Marsteller D24/150
D691,270 S * 10/2013 Marsteller D24/150

D702,346 S * 4/2014 Ben Nun D24/150
D731,058 S * 6/2015 Dietrich D24/150
D731,060 S * 6/2015 Little, III D24/150
D747,806 S * 1/2016 Wargner D24/150
D752,749 S * 3/2016 Van Dalen D24/150
D755,970 S * 5/2016 Bergmanson D24/150
D756,515 S * 5/2016 Chin D24/135
D795,427 S * 8/2017 Korenfeld D24/150
2020/0121449 A1 * 4/2020 Sohn A61F 2/167
2020/0253781 A1 * 8/2020 Possel A61F 9/009

* cited by examiner

Primary Examiner — Wan Laymon

(74) *Attorney, Agent, or Firm* — Patterson Thuent Pedersen, P.A.

(57) **CLAIM**

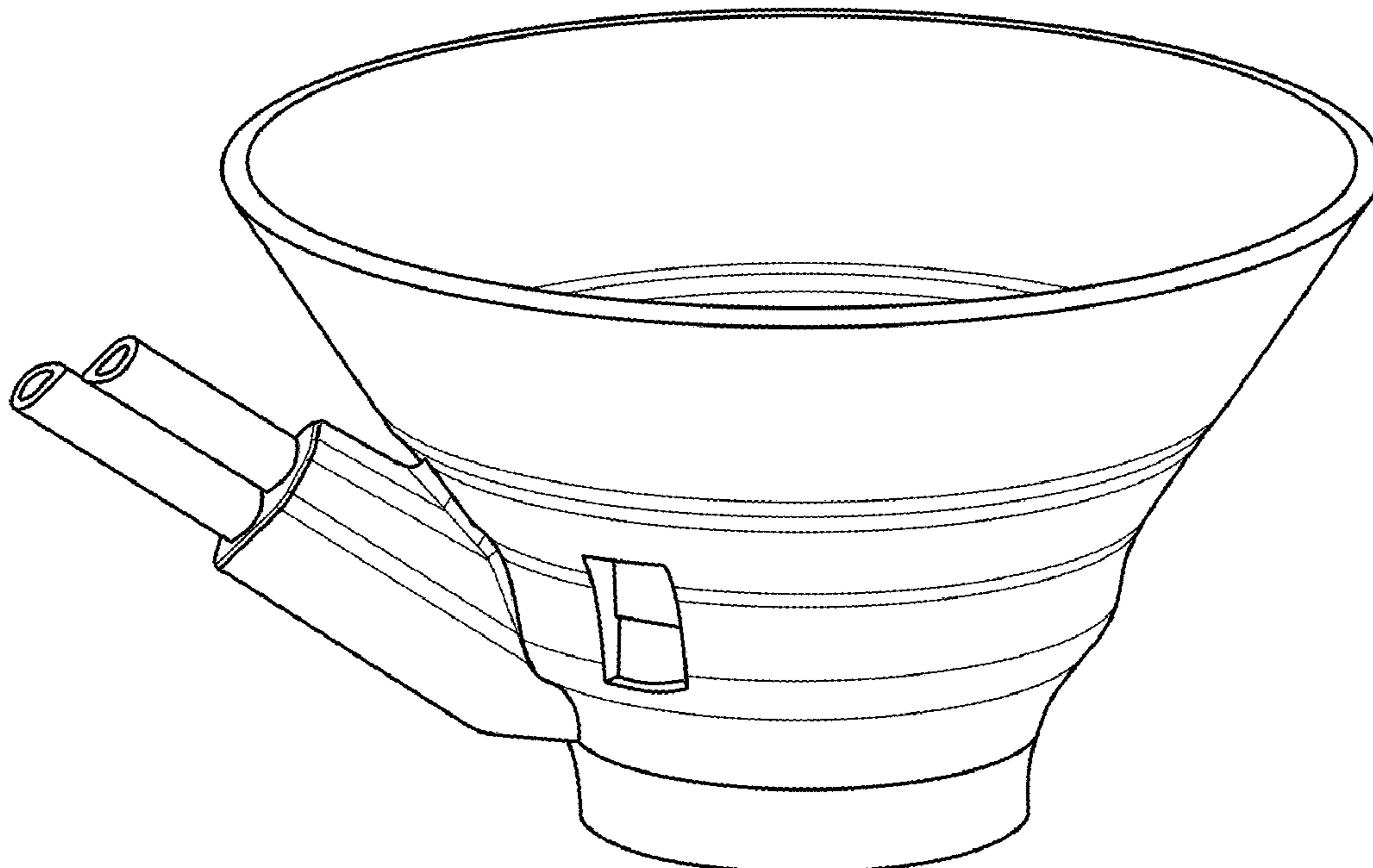
We claim the ornamental design for a surgical contact glass, as shown and described.

DESCRIPTION

FIG. 1 is a top perspective view of a surgical contact glass. FIG. 2 is a bottom perspective view of a surgical contact glass depicted in FIG. 1. FIG. 3 is a front elevational view of a surgical contact glass depicted in FIG. 1. FIG. 4 is a side elevational view of a surgical contact glass depicted in FIG. 1. FIG. 5 is a back elevational view of a surgical contact glass depicted in FIG. 1. FIG. 6 is a bottom plan view of a surgical contact glass depicted in FIG. 1; and, FIG. 7 is a top plan view of a surgical contact glass depicted in FIG. 1.

Portions of the surgical contact glass depicted in broken lines form no part of the claimed design.

1 Claim, 7 Drawing Sheets



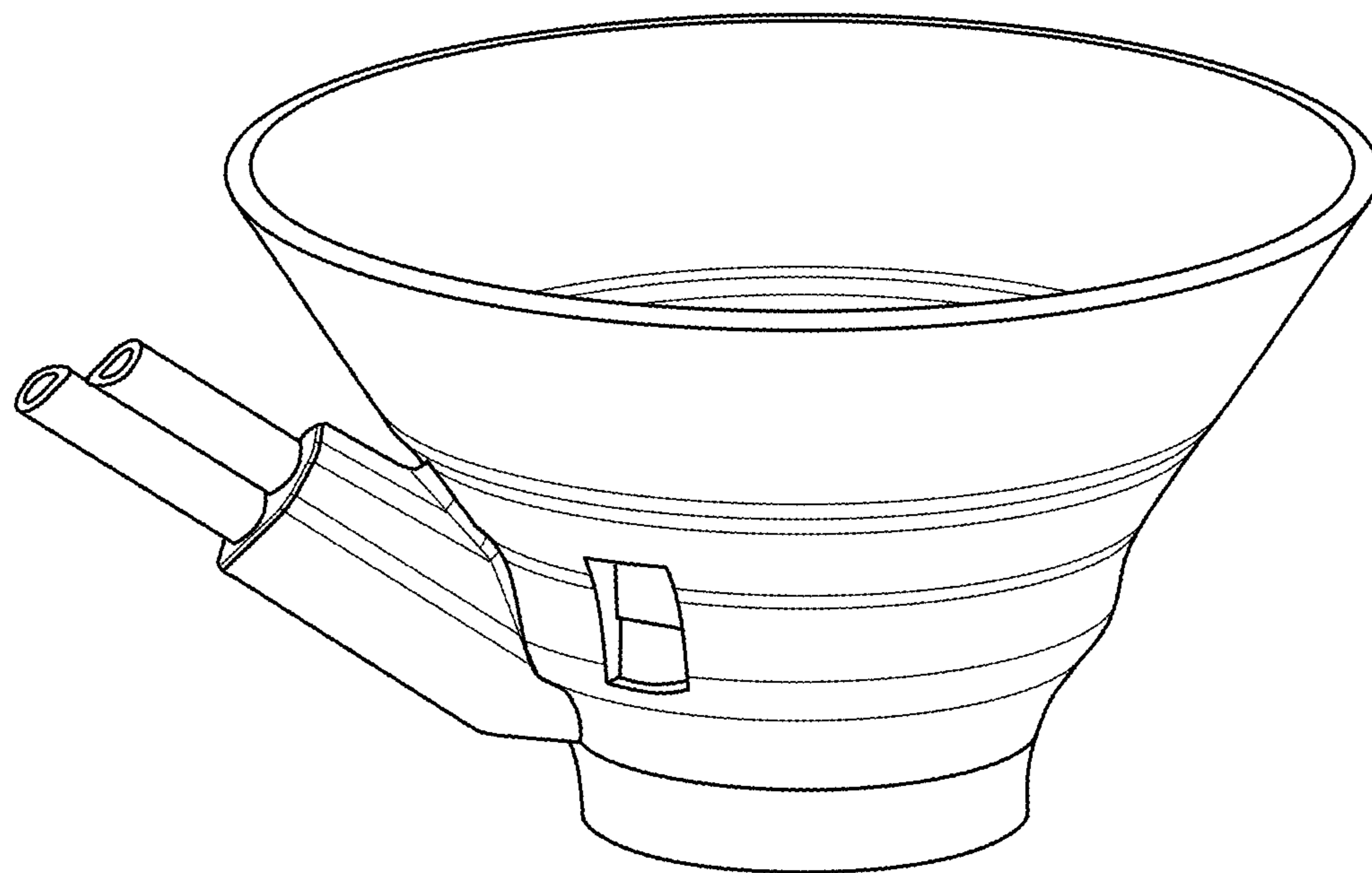


FIG. 1

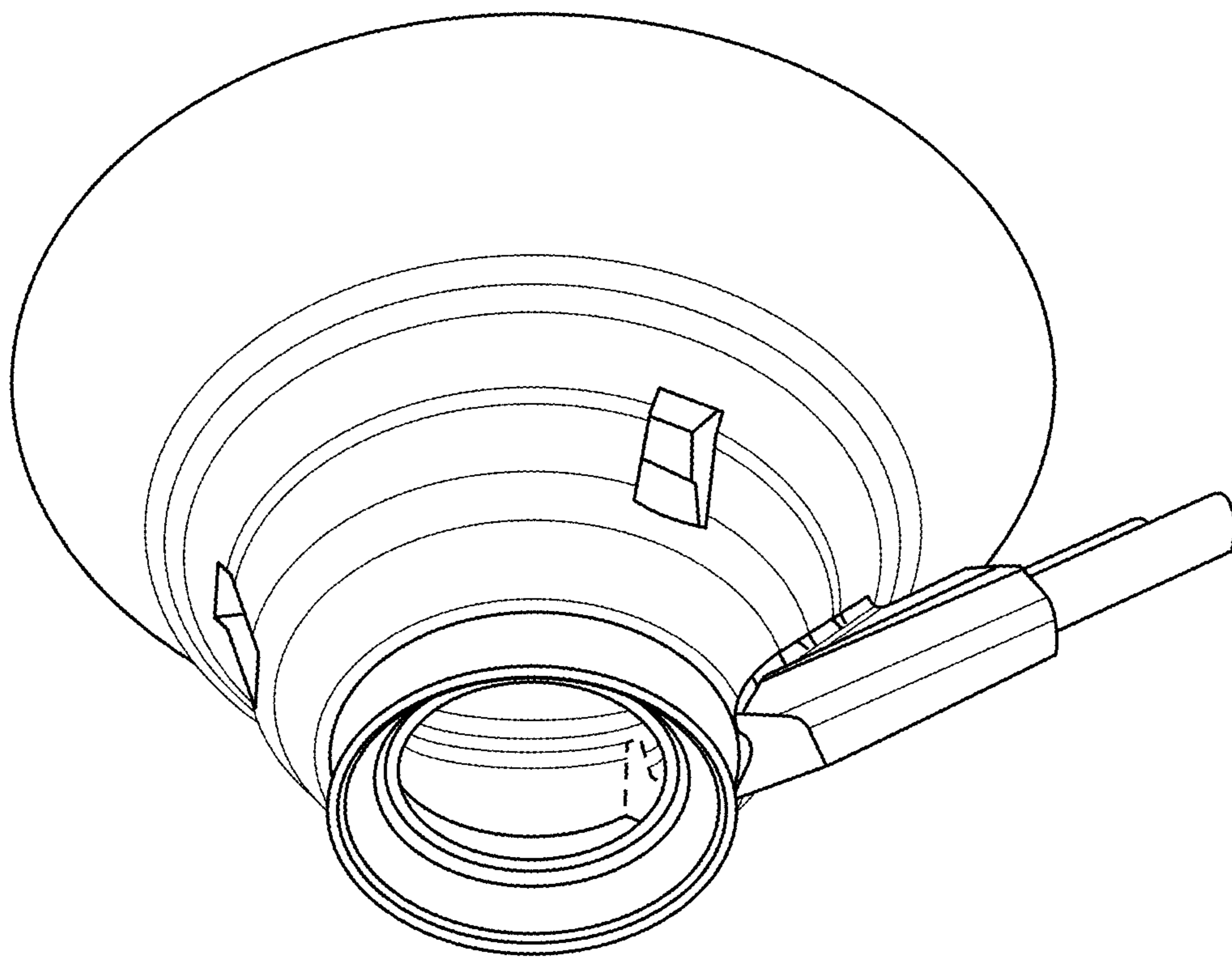


FIG. 2

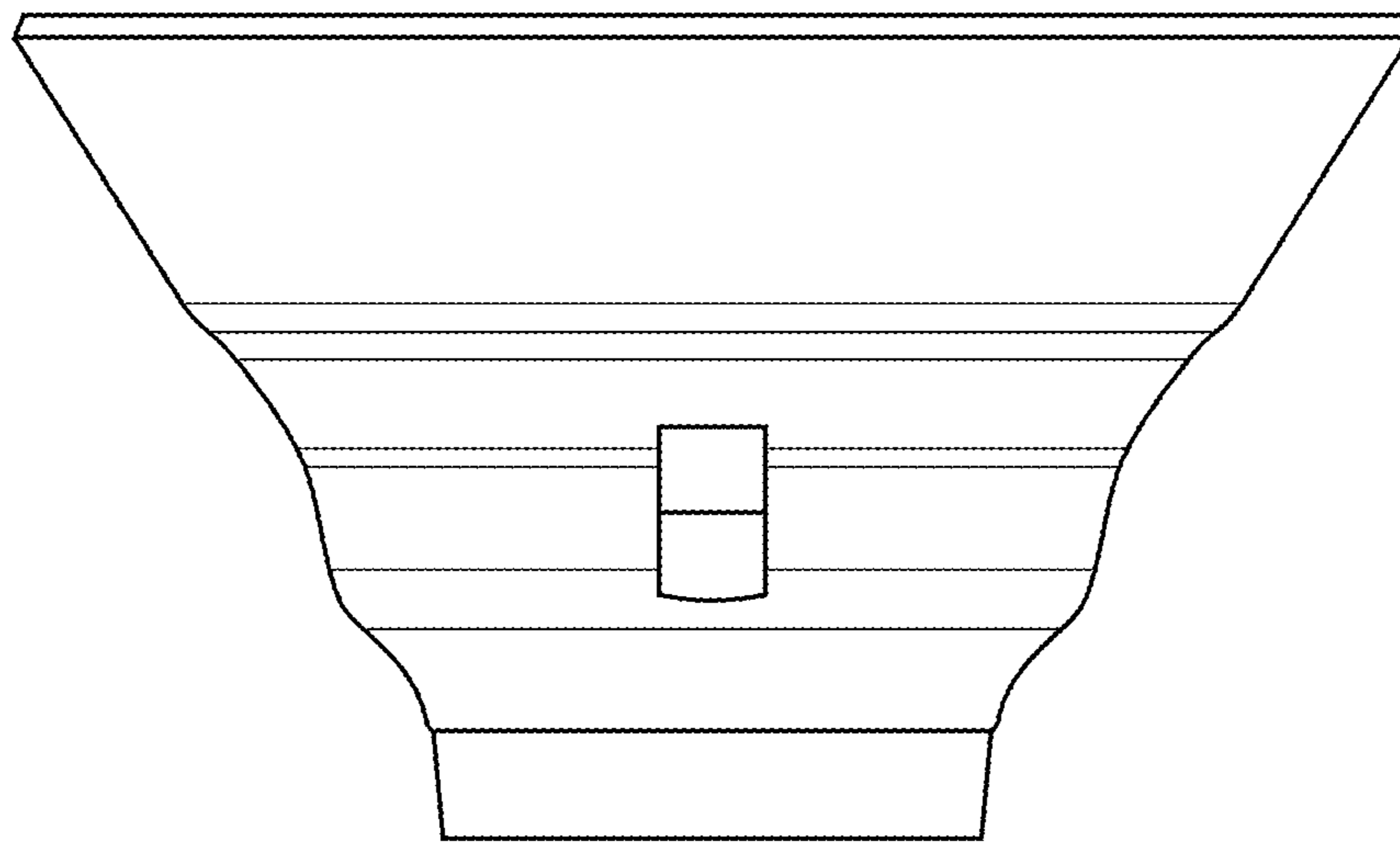


FIG. 3

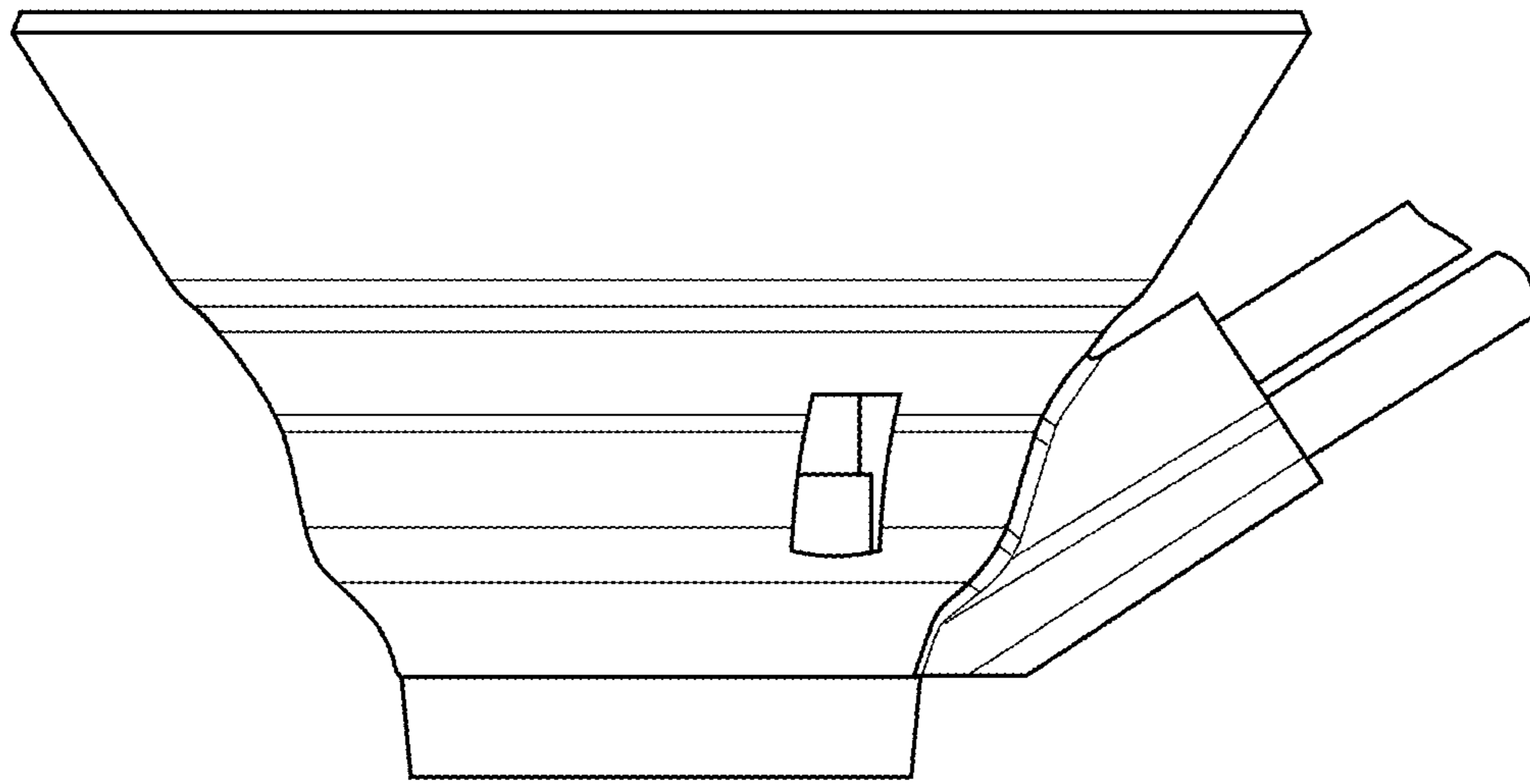


FIG. 4

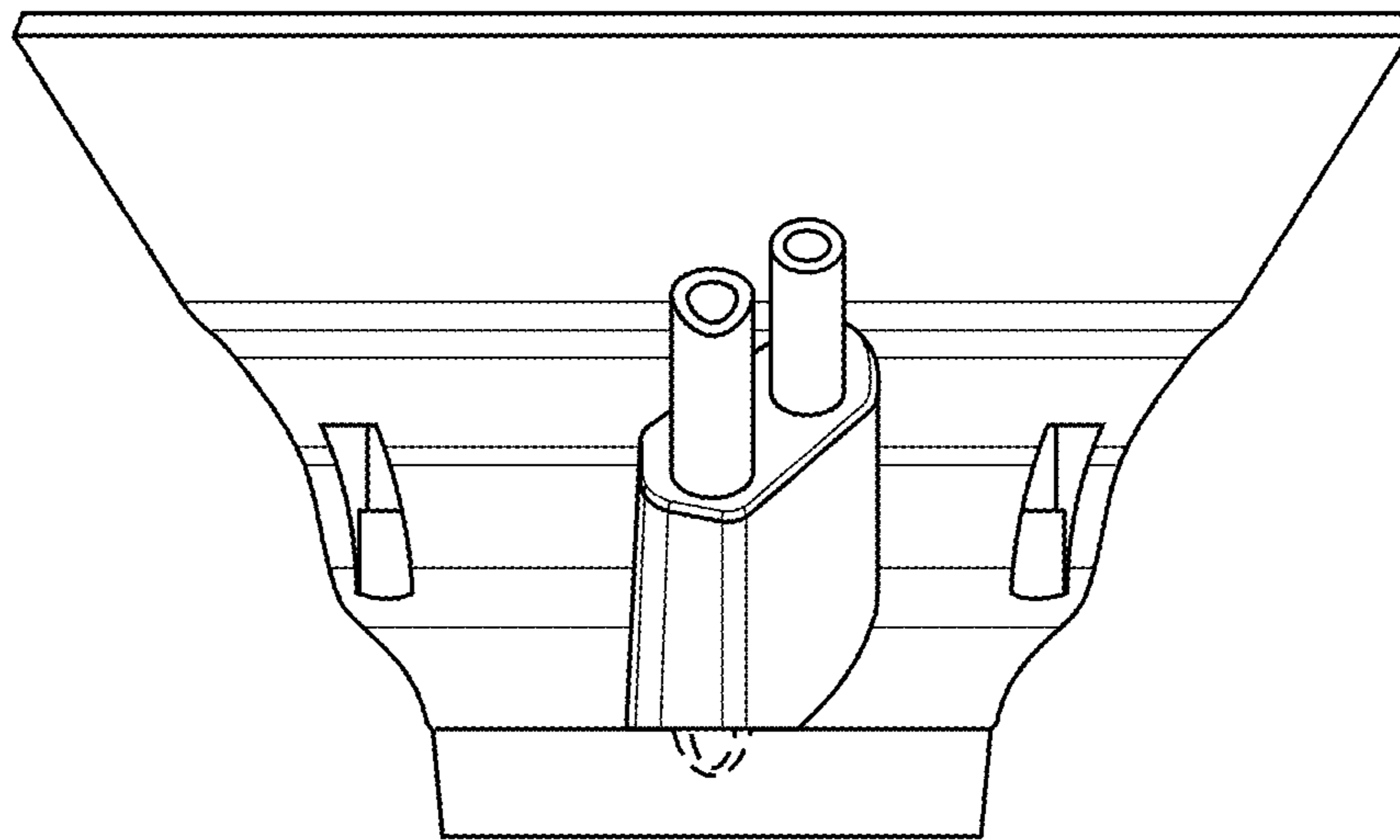


FIG. 5

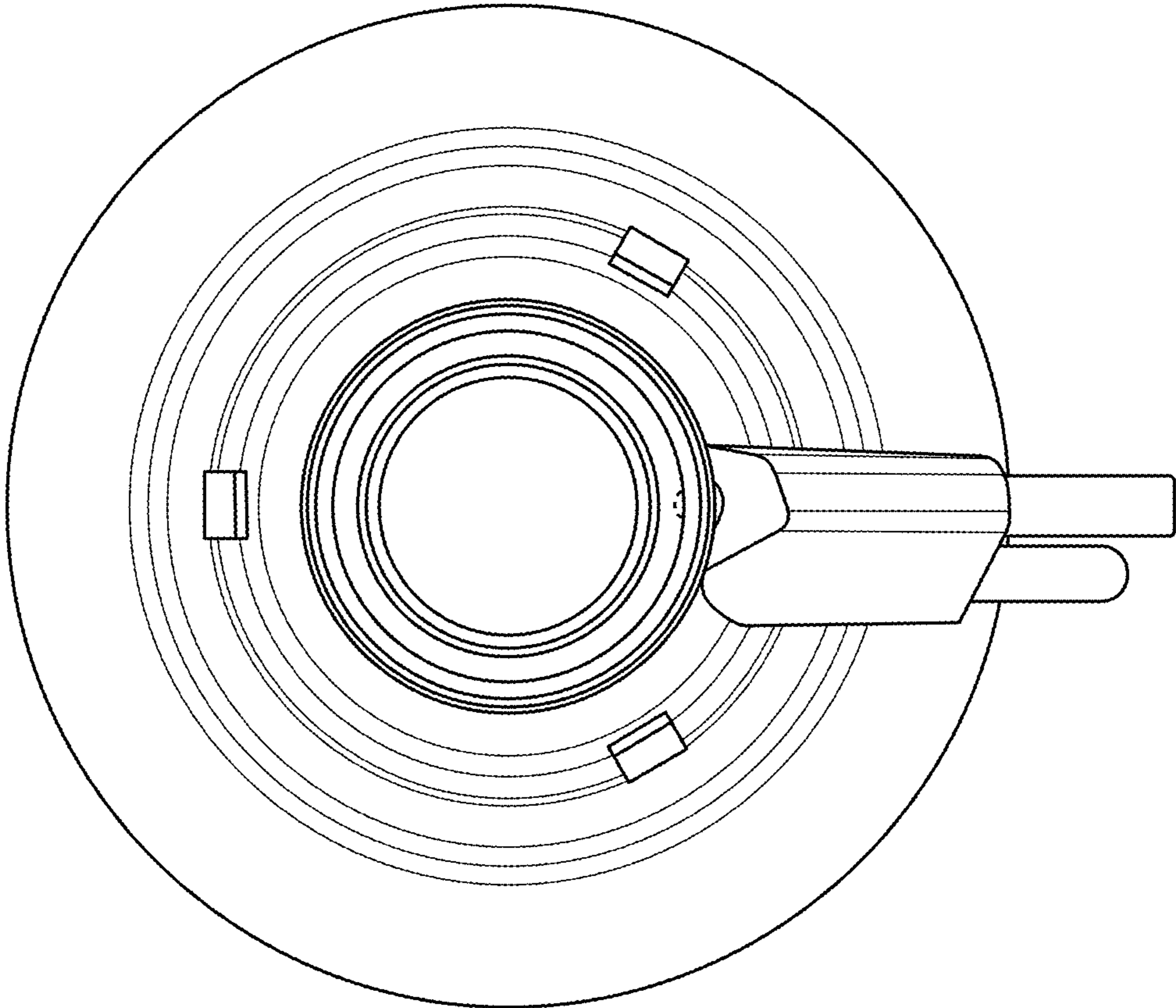


FIG. 6

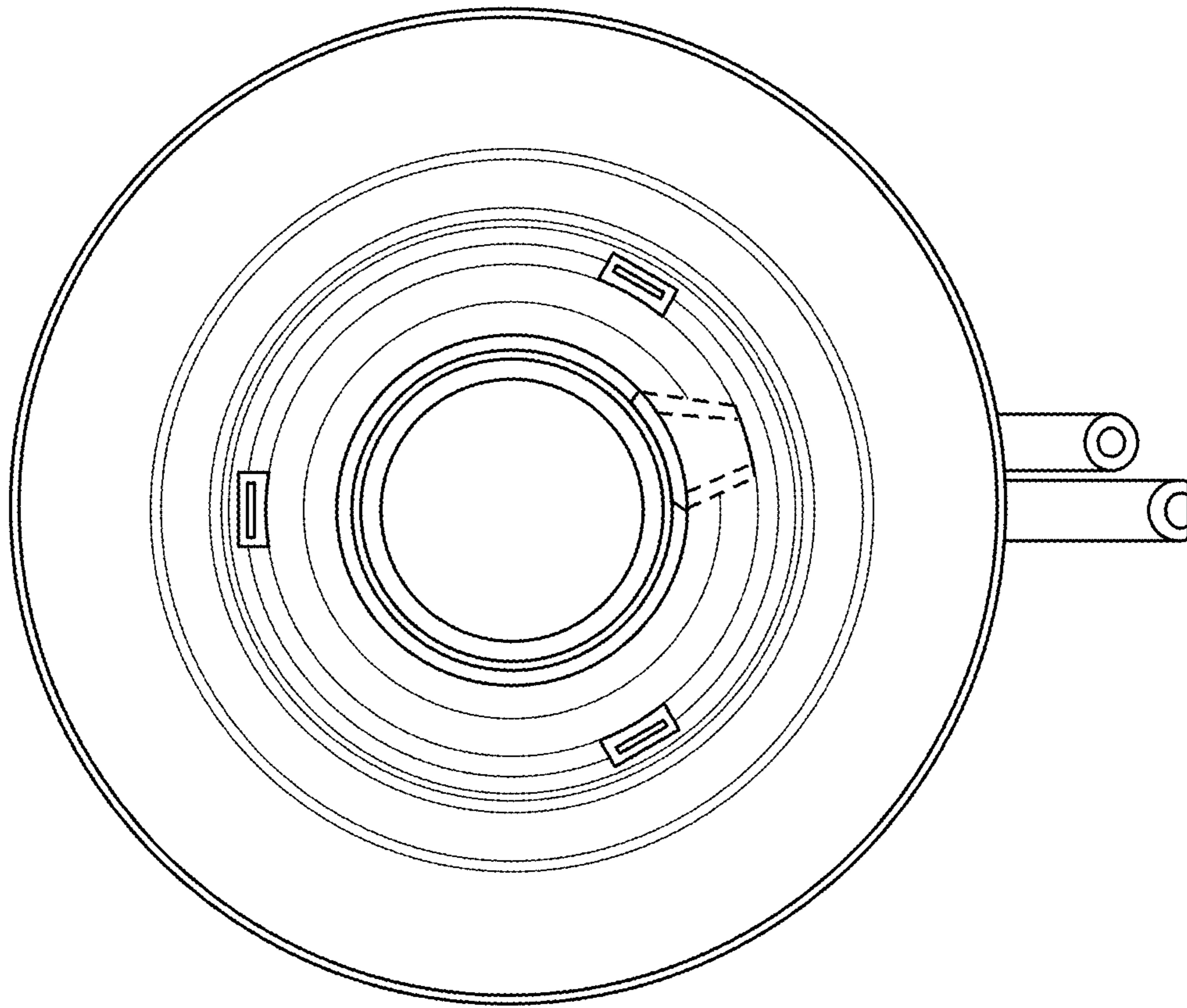


FIG. 7