



US00D949339S

(12) **United States Design Patent** (10) **Patent No.:** **US D949,339 S**  
**Fuchs et al.** (45) **Date of Patent:** **\*\* Apr. 19, 2022**

(54) **MARKED TROCARS**

A61M 5/3286; A61M 5/343; B26B 3/00;  
B26B 1/10; B26B 5/005

(71) Applicant: **KARL STORZ SE & Co. KG**,  
Tuttlingen (DE)

See application file for complete search history.

(72) Inventors: **Alexander Fuchs**, Tuttlingen (DE);  
**Lena Felber**, Tuttlingen (DE)

(56) **References Cited**

(73) Assignee: **KARL STORZ SE & CO. KG**,  
Tuttlingen (DE)

U.S. PATENT DOCUMENTS

(\*\*) Term: **15 Years**

D449,887 S *	10/2001	Haberland .....	D24/146
D541,417 S *	4/2007	Albrecht .....	D24/146
D542,918 S *	5/2007	Albrecht .....	D24/146
D597,204 S *	7/2009	Oberlaender .....	D24/133
D606,194 S *	12/2009	Frey .....	D24/108
D610,681 S *	2/2010	Frey .....	D24/140
D617,458 S *	6/2010	Frey .....	D24/138
D638,941 S *	5/2011	Cuschieri .....	D24/147

(Continued)

(21) Appl. No.: **29/736,939**

OTHER PUBLICATIONS

(22) Filed: **Jun. 4, 2020**

Essentials Optical Trocars, purplesurgical.com, [online], [site visited Sep. 9, 2021], Available from internet URL: <https://www.purplesurgical.com/product/essentials-optical-trocars/> (Year: 2021).\*

(30) **Foreign Application Priority Data**

(Continued)

Dec. 17, 2019 (EM) ..... 007412572-0001

(51) **LOC (13) Cl.** ..... **24-02**

*Primary Examiner* — Samantha Q Lawrence

(52) **U.S. Cl.**

*Assistant Examiner* — Holly M Rodriguez

USPC ..... **D24/146**

(74) *Attorney, Agent, or Firm* — Eversheds Sutherland (US) LLP

(58) **Field of Classification Search**

(57) **CLAIM**

USPC ..... D28/57, 59, 62; D4/104, 120, 137, 138,  
D4/100, 108, 111; D8/90-94, 107, 300,  
D8/310-311, 313, 97, 387, 82;  
D24/146-147, 10.5, 107, 110, 112-118,  
D24/121, 127, 130, 133, 148, 152,  
D24/172-174, 176-178; D19/110, 115;  
D7/649

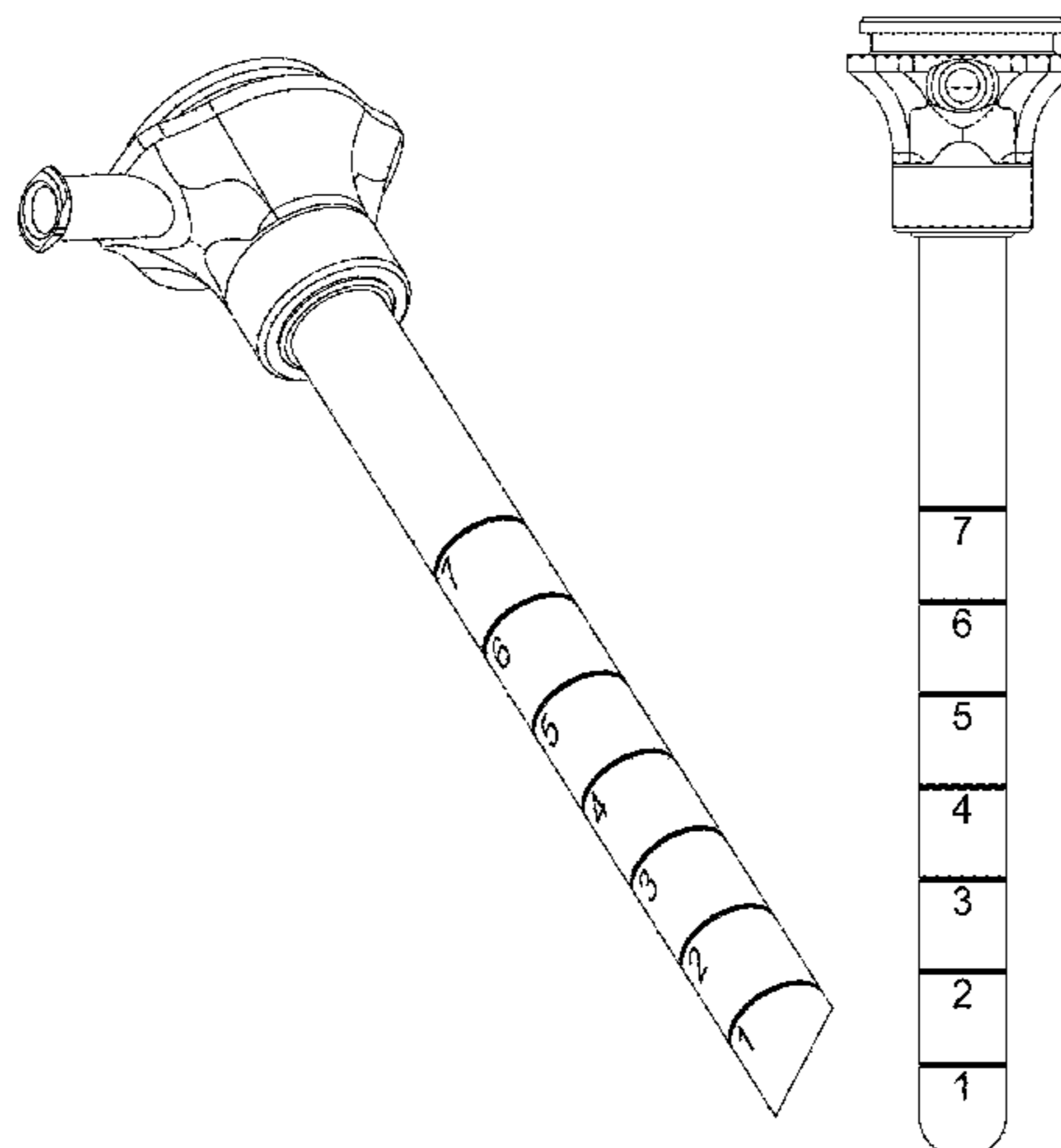
The ornamental design for a marked trocars, as shown and described.

CPC ..... A61B 17/089; A61B 17/1617; A61B  
17/3211; A61B 17/3417; A61B 5/1411;  
A61H 39/08; A61M 2025/0246; A61M  
16/04; A61M 16/0463; A61M 16/0486;  
A61M 16/0484; A61M 25/0009; A61M  
25/007; A61M 25/02; A61M 25/09033;

**DESCRIPTION**

FIG. 1 is a perspective view of a marked trocars showing our new design;  
FIG. 2 is a front view thereof;  
FIG. 3 is a rear view thereof;  
FIG. 4 is a left side view thereof;  
FIG. 5 is a right view thereof;  
FIG. 6 is a top view thereof; and,  
FIG. 7 is a bottom view thereof.

(Continued)



The broken lines in the drawing show portions of the marked trocars that form no part of the claimed design.

**1 Claim, 7 Drawing Sheets**

(56)

**References Cited**

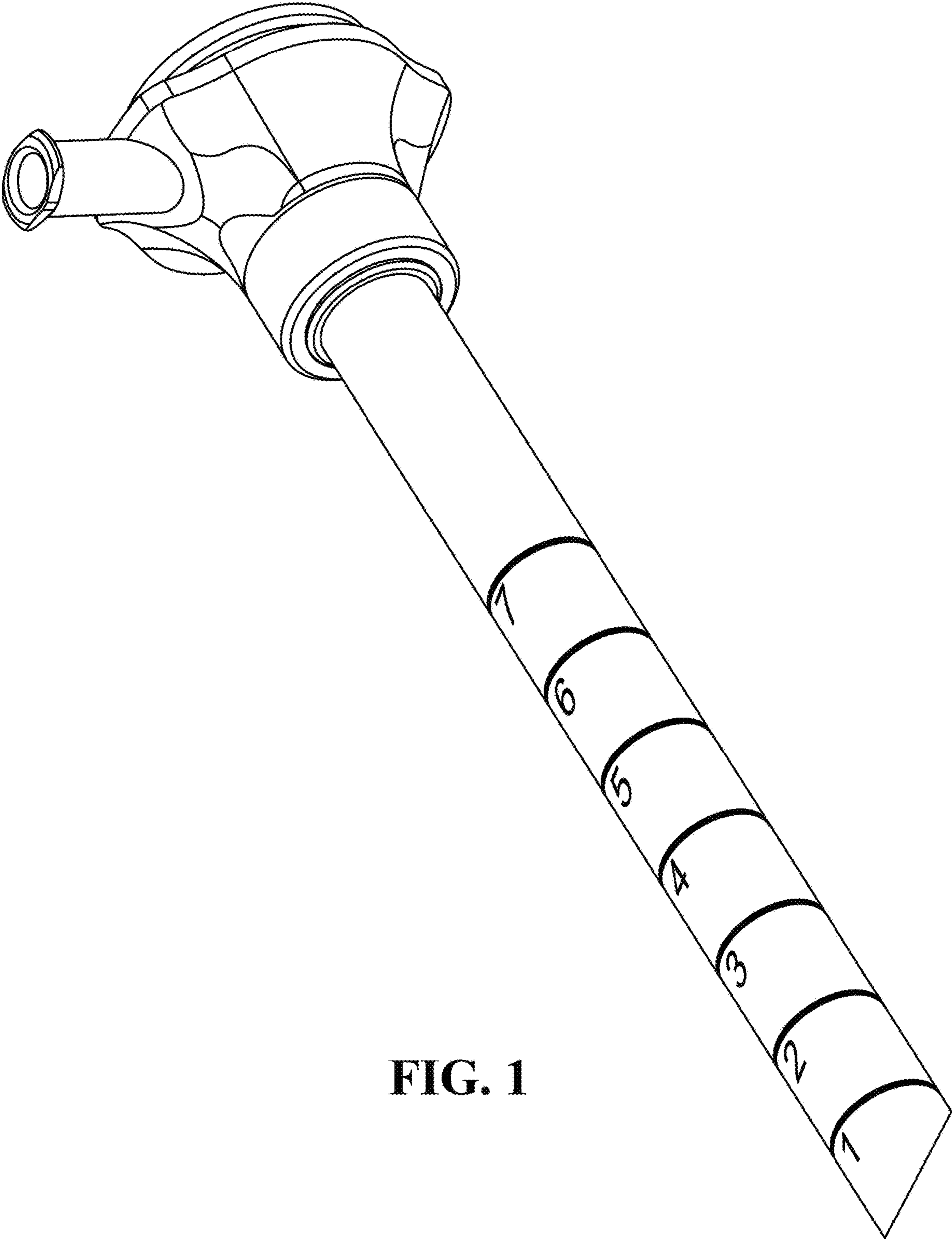
U.S. PATENT DOCUMENTS

8,286,970	B2 *	10/2012	Frey .....	A61B 1/00135 279/43.4
D680,647	S *	4/2013	Carter .....	D24/146
D733,880	S *	7/2015	Mueller .....	D24/147
D753,303	S *	4/2016	Dannaher .....	D24/146
D785,175	S *	4/2017	Zhou .....	D24/146
D790,700	S *	6/2017	Zhou .....	D24/146
9,700,303	B2 *	7/2017	Prior .....	A61B 17/0482
D813,389	S *	3/2018	Zhou .....	D24/146
D814,032	S *	3/2018	Zhou .....	D24/146
10,675,009	B2 *	6/2020	Hess .....	A61B 17/3423
2006/0135972	A1 *	6/2006	Zeiner .....	A61B 17/3462 606/167
2006/0135977	A1 *	6/2006	Thompson .....	A61B 17/3462 606/185

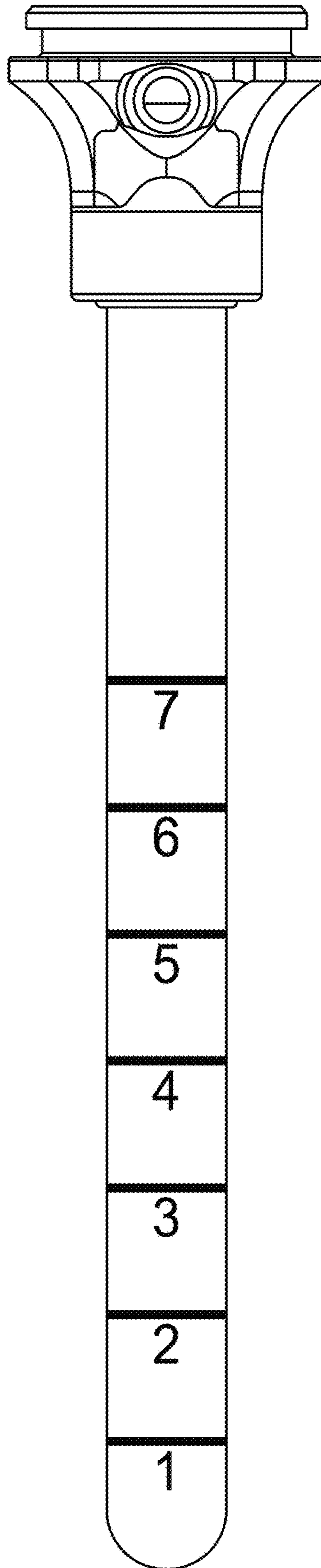
OTHER PUBLICATIONS

Medtronic VersaOne 5 mm Universal Cannula, for Hospital, indiamart.com, [online], [site visited Sep. 9, 2021], Available from internet URL: <https://www.indiamart.com/proddetail/medtronic-versaone-5-mm-universal-cannula-19771592355.html> (Year: 2021).\*

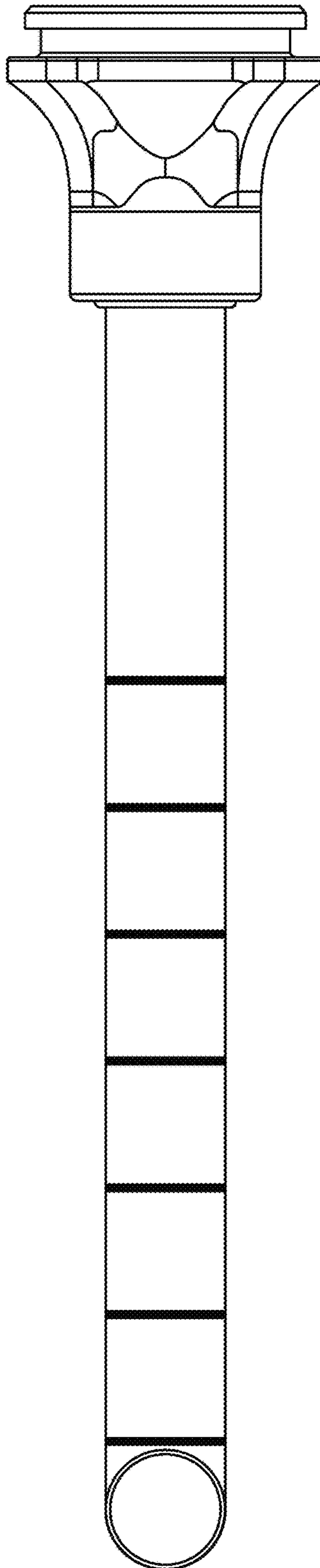
\* cited by examiner



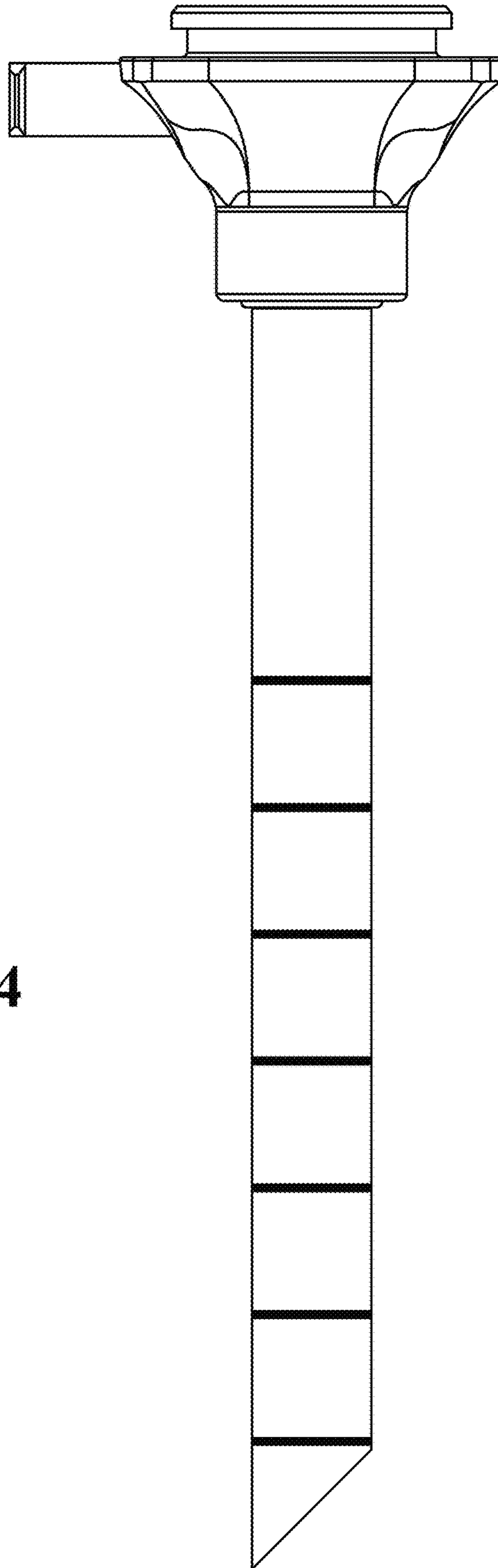
**FIG. 1**



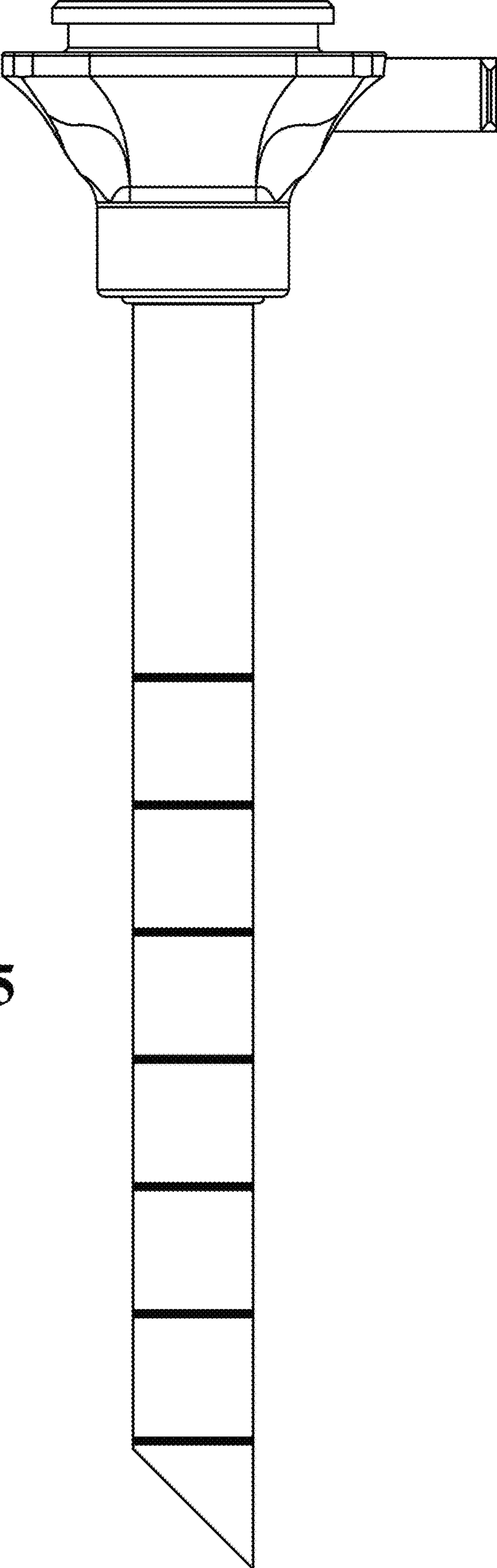
**FIG. 2**



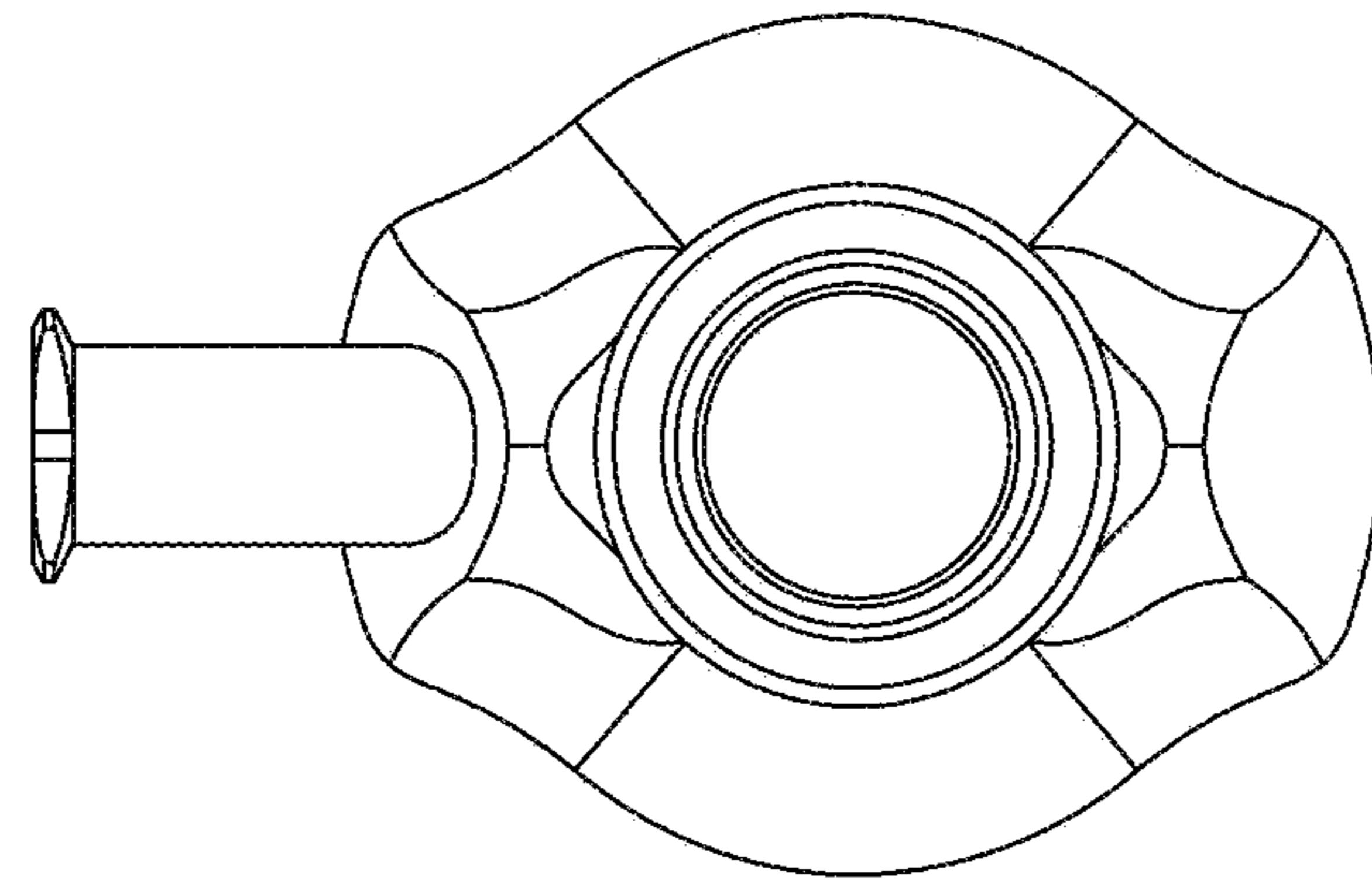
**FIG. 3**



**FIG. 4**

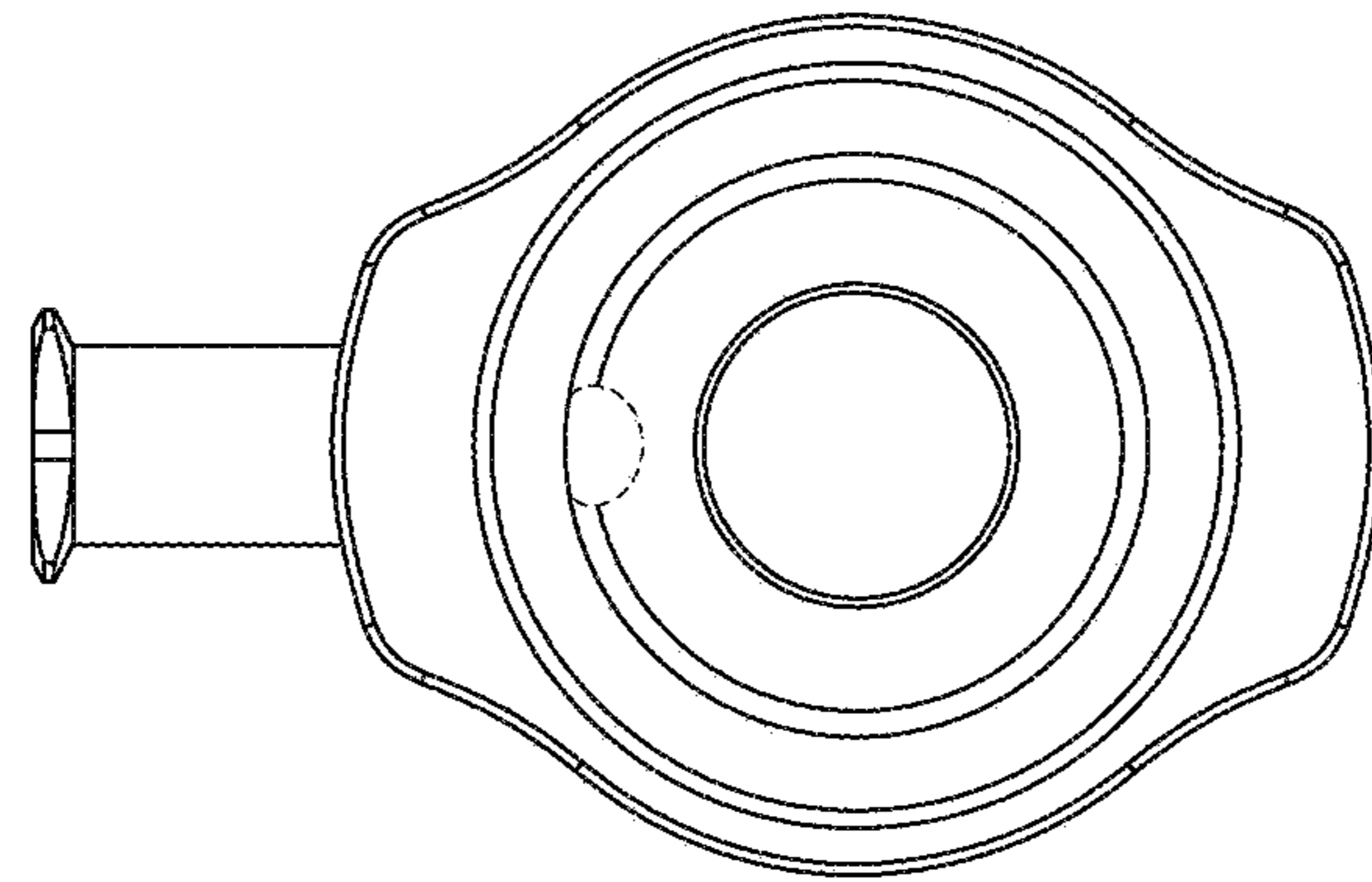


**FIG. 5**



**FIG. 6**





**FIG. 7**