

US00D949338S

(12) **United States Design Patent**
Deck et al.

(10) **Patent No.:** **US D949,338 S**
(45) **Date of Patent:** **** Apr. 19, 2022**

(54) **LINEAR SURGICAL STAPLER**
(71) Applicant: **Ethicon LLC**, Guaynabo, PR (US)
(72) Inventors: **Andrew C. Deck**, Cincinnati, OH (US);
Jason D. Jones, Cincinnati, OH (US);
David K. Norvell, Monroe, OH (US);
Matthew S. Corbin, Placentia, CA
(US); **Brian D. Schings**, Cincinnati,
OH (US)

8,800,840 B2 * 8/2014 Jankowski A61B 17/07207
227/176.1
9,271,728 B2 * 3/2016 Gupta A61B 17/07207
9,451,959 B2 * 9/2016 Patankar A61B 17/07207
10,123,797 B2 * 11/2018 Katre A61B 17/0686
10,542,980 B2 * 1/2020 Patankar A61B 17/07207
10,888,327 B2 * 1/2021 Gupta A61B 17/068
2016/0262756 A1 * 9/2016 Patankar A61B 17/07207
2020/0000470 A1 * 1/2020 Du A61B 17/07207
2020/0046353 A1 * 2/2020 Deck A61B 17/07207

* cited by examiner

(73) Assignee: **Cilag GmbH International**, Zug (CH)
(**) Term: **15 Years**

Primary Examiner — Wan Laymon
(74) *Attorney, Agent, or Firm* — Frost Brown Todd LLC

(21) Appl. No.: **29/767,674**
(22) Filed: **Jan. 25, 2021**

(57) **CLAIM**

The ornamental design for a linear surgical stapler, as shown and described.

Related U.S. Application Data

(62) Division of application No. 29/659,843, filed on Aug. 13, 2018, now Pat. No. Des. 913,495.
(51) **LOC (13) Cl.** **24-02**
(52) **U.S. Cl.**
USPC **D24/145**
(58) **Field of Classification Search**
USPC D24/145
CPC A61B 17/07207; A61B 17/064; A61B 17/072; A61B 17/068; A61B 17/115; A61B 2017/07271
See application file for complete search history.

DESCRIPTION

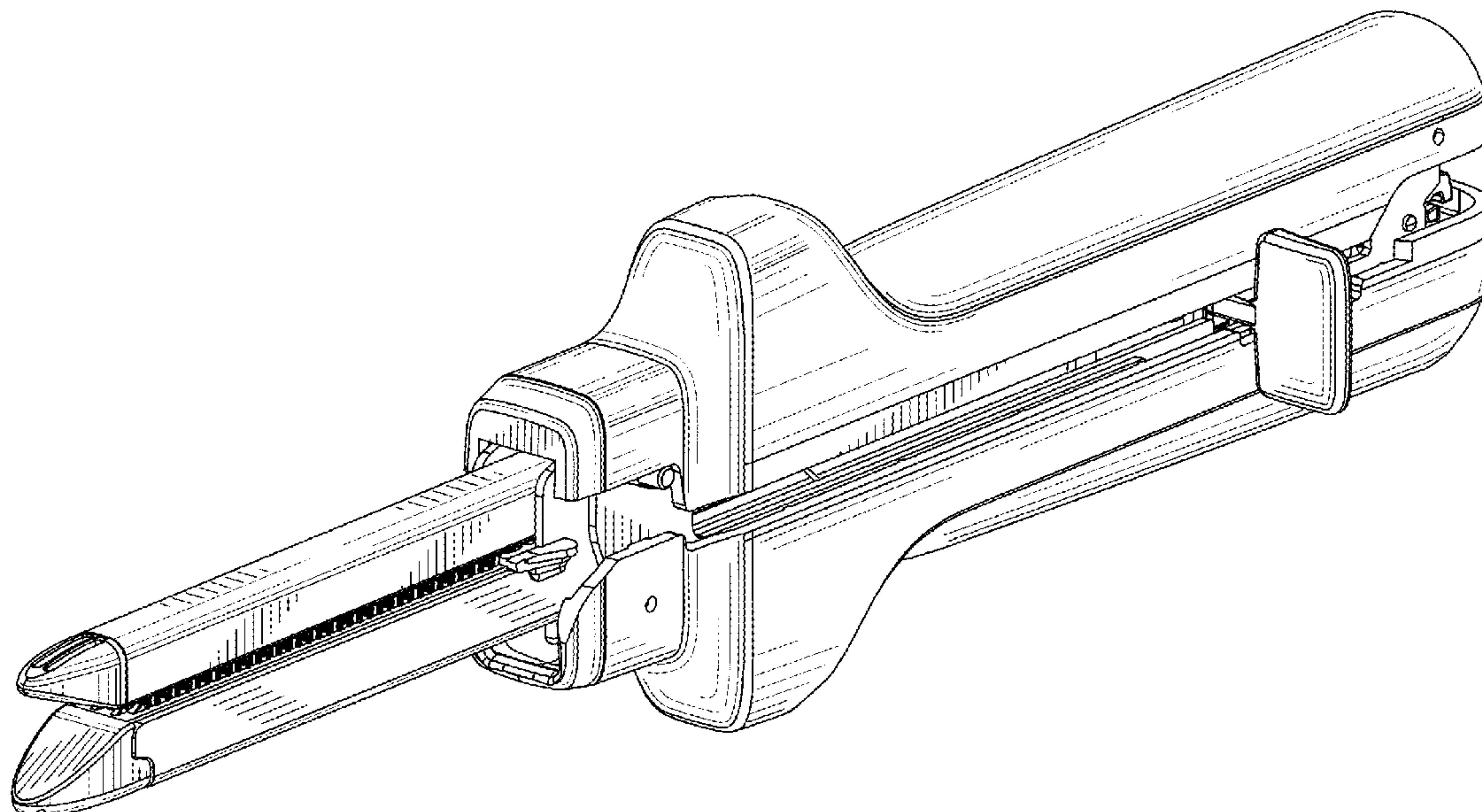
FIG. 1 is a perspective view of a linear surgical stapler, showing our new design;
FIG. 2 is a front elevational view of the linear surgical stapler of FIG. 1;
FIG. 3 is a rear elevational view of the linear surgical stapler of FIG. 1;
FIG. 4 is a left elevational view of the linear surgical stapler of FIG. 1;
FIG. 5 is a right elevational view of the linear surgical stapler of FIG. 1;
FIG. 6 is a top plan view of the linear surgical stapler of FIG. 1; and,
FIG. 7 is a bottom plan view of the linear surgical stapler of FIG. 1.
The broken lines in the FIGS. 1-7 are for the purpose of illustrating portions of the linear surgical stapler and form no part of the claimed design.

(56) **References Cited**

U.S. PATENT DOCUMENTS

D322,143 S * 12/1991 Spreckelmeier D24/145
D480,808 S * 10/2003 Wells D24/145
D676,963 S * 2/2013 Hunt D24/145
8,496,156 B2 * 7/2013 Sniffin A61B 17/068
227/176.1

1 Claim, 4 Drawing Sheets



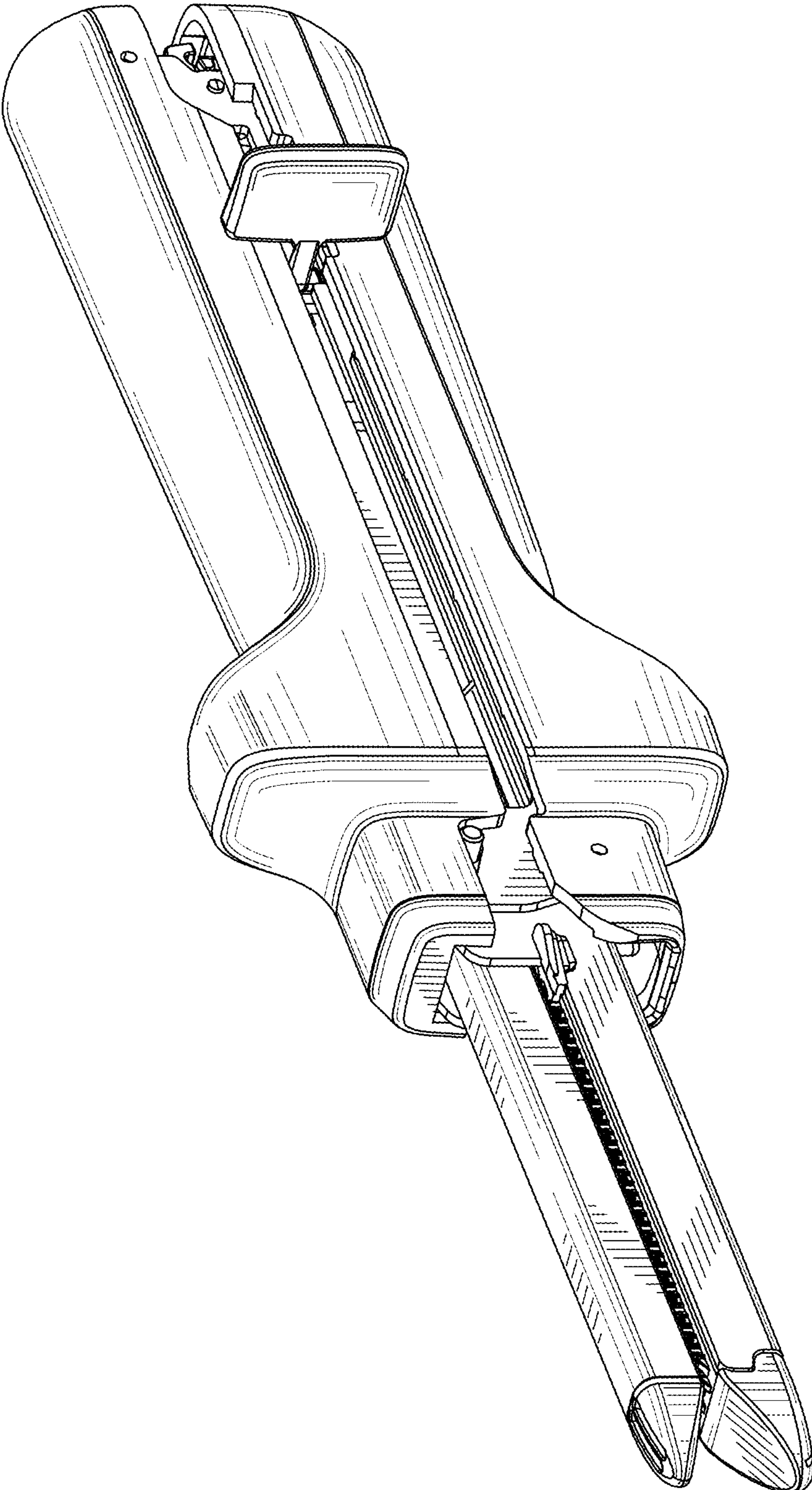


FIG. 1

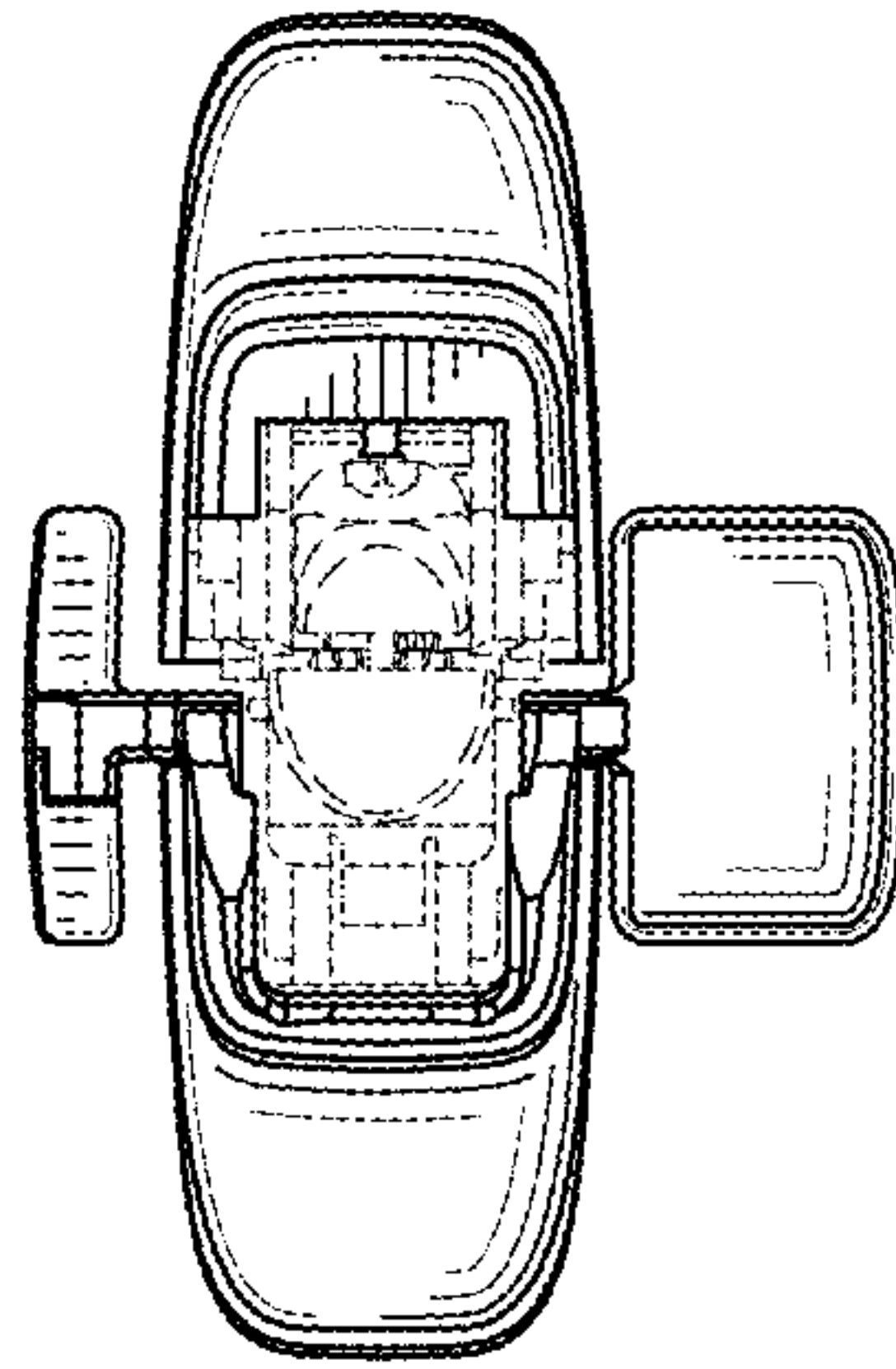


FIG. 2

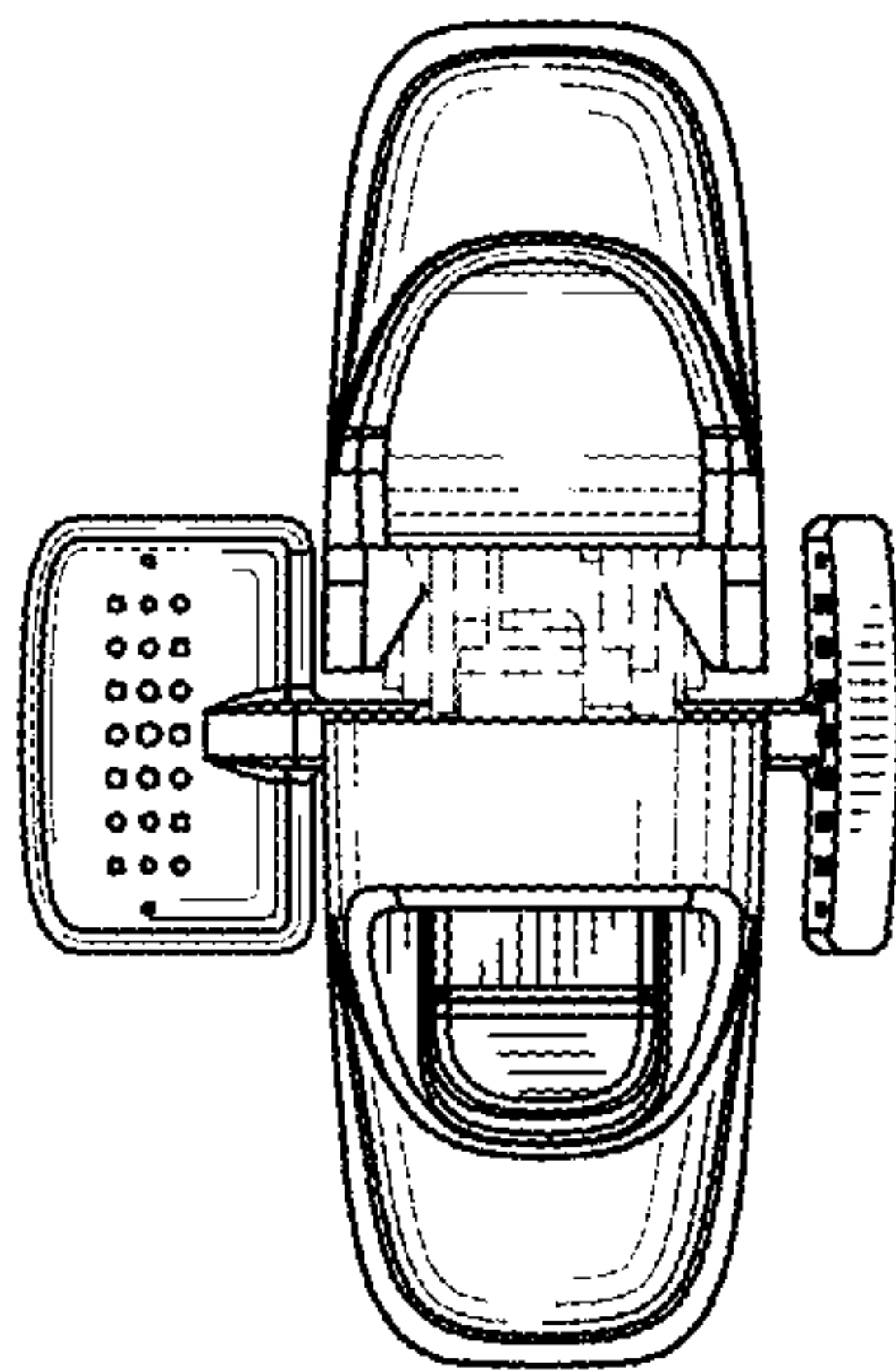


FIG. 3

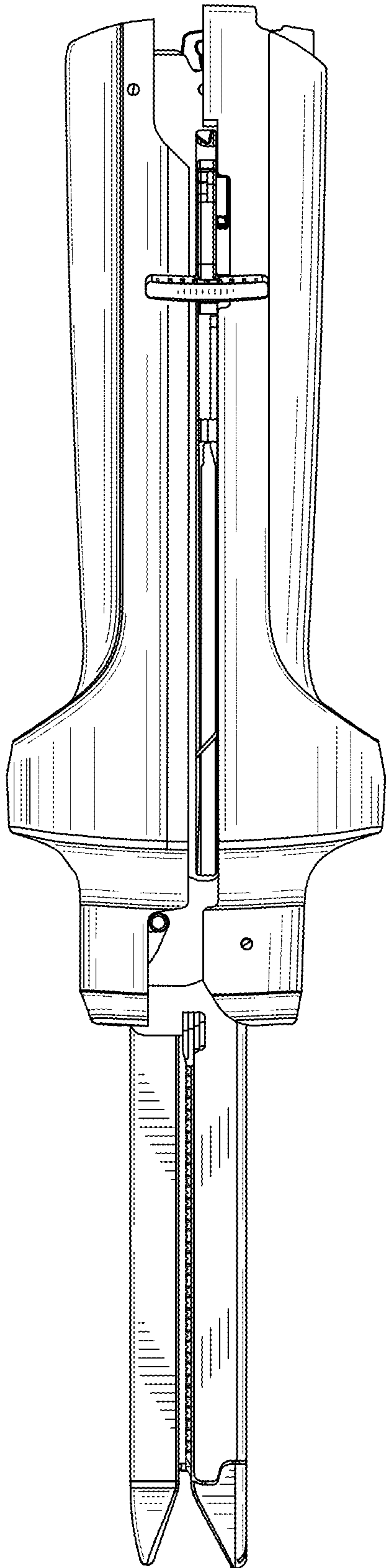


FIG. 4

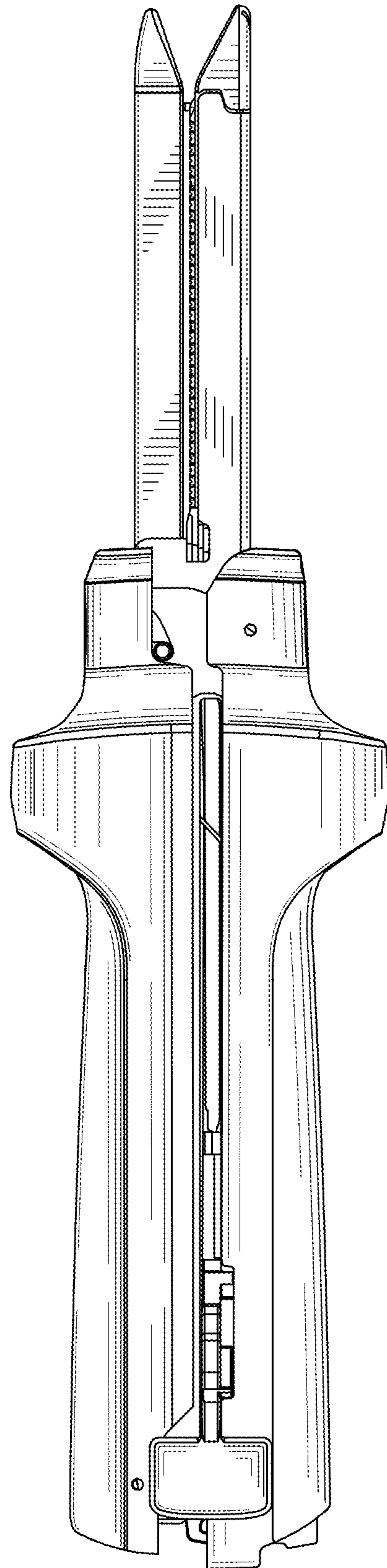


FIG. 5

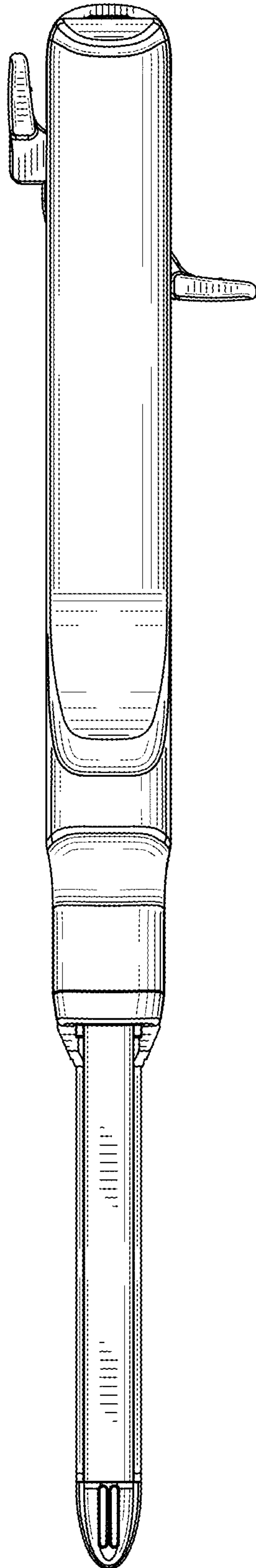


FIG. 6

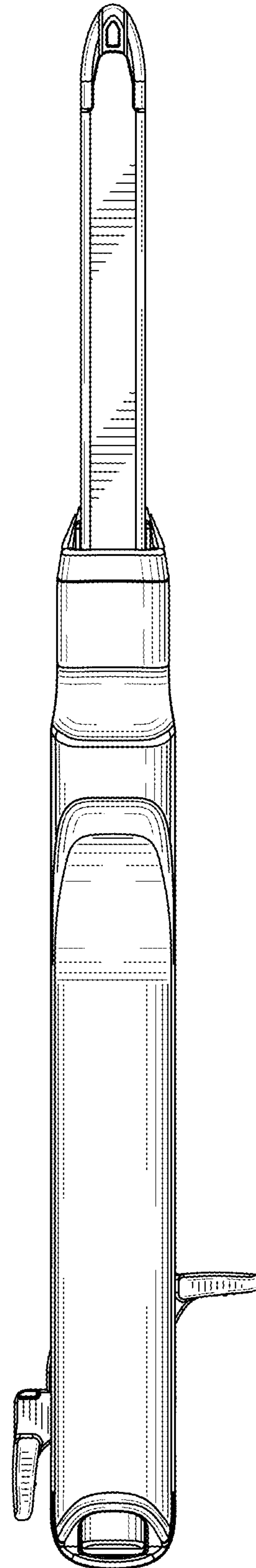


FIG. 7