



US00D949337S

(12) **United States Design Patent** (10) **Patent No.:** **US D949,337 S**
Thuente et al. (45) **Date of Patent:** **** *Apr. 19, 2022**

(54) **SURGICAL INSTRUMENT HANDLE**

(56) **References Cited**

(71) Applicant: **Scanlan International, Inc.**, St. Paul, MN (US)

U.S. PATENT DOCUMENTS

(72) Inventors: **Mark P. Thuente**, St. Paul, MN (US); **Rhonda L. Hambleton**, Blaine, MN (US); **Patrick J. Lowe**, Forest Lake, MN (US); **Russel T. Scanlan**, St. Paul, MN (US)

2,070,798 A	2/1937	Elden	
3,349,772 A	10/1967	Rygg	
3,934,915 A	1/1976	Humpa	
4,634,165 A	1/1987	Russell et al.	
4,793,349 A	12/1988	Weinrib	
4,800,880 A	1/1989	Catalano	
4,852,929 A	8/1989	Shafir	
4,949,717 A *	8/1990	Shaw	A61B 17/0467 606/147

(73) Assignee: **Scanlan International, Inc.**, St. Paul, MN (US)

5,015,252 A	5/1991	Jones	
5,047,049 A	9/1991	Salai	

(Continued)

(*) Notice: This patent is subject to a terminal disclaimer.

FOREIGN PATENT DOCUMENTS

(**) Term: **15 Years**

EP	3135227 A2	3/2017
----	------------	--------

(21) Appl. No.: **29/760,193**

OTHER PUBLICATIONS

(22) Filed: **Nov. 30, 2020**

Merriam-Webster definition of "knurling" accessed on Feb. 24, 2021; <https://www.merriam-webster.com/dictionary/knurl> (Year: 2021).

(Continued)

Related U.S. Application Data

Primary Examiner — Wan Laymon

(63) Continuation of application No. 29/677,909, filed on Jan. 24, 2019, now Pat. No. Des. 907,202, which is a continuation-in-part of application No. 15/880,205, filed on Jan. 25, 2018, application No. 29/760,193, which is a continuation-in-part of application No. 15/880,205, filed on Jan. 25, 2018.

(57) **CLAIM**

The ornamental design for a surgical instrument handle, as shown and described.

(51) **LOC (13) Cl.** **24-02**

DESCRIPTION

(52) **U.S. Cl.**

USPC **D24/143**

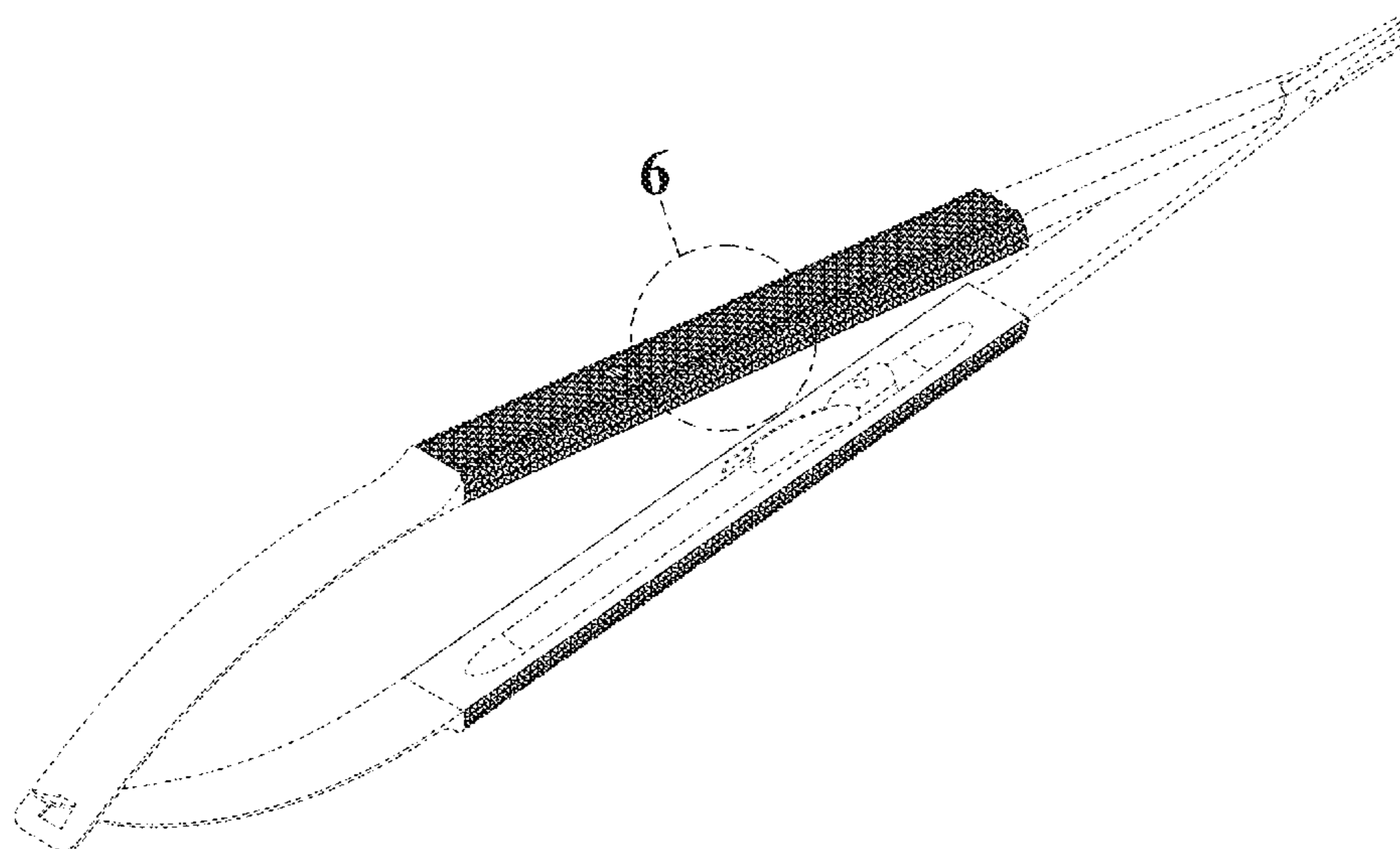
(58) **Field of Classification Search**

USPC D24/143, 147, 133; D28/55
CPC B25B 9/02; A61B 17/29; A61B 17/2909;
A61B 17/30; A61B 2017/305

See application file for complete search history.

FIG. 1 is a perspective view of a surgical instrument handle, illustrating our new design.
FIG. 2 is a first side elevation view thereof;
FIG. 3 is a second side elevation view thereof;
FIG. 4 is a top plan view thereof;
FIG. 5 is a bottom plan view thereof; and,
FIG. 6 is a detail view thereof within line 6 of FIG. 1.
The broken lines in the drawings illustrate optional environmental features that form no part of the claimed design.

1 Claim, 6 Drawing Sheets



(56)

References Cited

U.S. PATENT DOCUMENTS

5,147,368 A * 9/1992 Brown A61B 17/30
294/99.2

D341,886 S 11/1993 Stolte

D355,455 S 2/1995 Stolte

D369,215 S 4/1996 Blake

5,509,923 A 4/1996 Middleman et al.

D370,730 S 6/1996 Blake

6,096,059 A 8/2000 Kuzma

6,322,578 B1 11/2001 Houle et al.

6,616,683 B1 9/2003 Toth et al.

7,011,628 B2 3/2006 LiDonnici

8,147,512 B1 4/2012 Puskas et al.

D689,609 S * 9/2013 Bender D24/143

D747,805 S * 1/2016 Bender D24/143

9,572,561 B2 2/2017 Puskas et al.

9,888,934 B2 * 2/2018 Storz A61B 17/30

9,931,130 B2 * 4/2018 Horikawa A61B 17/30

10,092,282 B2 10/2018 Puskas et al.

D907,202 S * 1/2021 Thuyente D24/143

2005/0033324 A1 2/2005 Phan

2007/0208341 A1 9/2007 Kirwan

2008/0215054 A1 9/2008 Wright

2009/0240281 A1 9/2009 Andre

2011/0015669 A1 1/2011 Corcosteugi

2012/0029531 A1 2/2012 Lin

2012/0303049 A1 * 11/2012 Nakamura A61B 17/30
606/167

2013/0247333 A1 * 9/2013 Bender A61B 17/30
16/430

2014/0051936 A1 2/2014 Newcomb et al.

2014/0172010 A1 6/2014 Vezzu

2014/0200576 A1 7/2014 Scheller et al.

2014/0300121 A1 10/2014 Schryver

2015/0005814 A1 1/2015 Boldt

2015/0238355 A1 8/2015 Vezzu et al.

2015/0305762 A1 10/2015 Dunn

2016/0151083 A1 6/2016 Mottola et al.

2016/0279766 A1 9/2016 Hussain et al.

2016/0361079 A1 12/2016 Storz et al.

2016/0374324 A1 12/2016 Constantine et al.

2017/0014976 A1 1/2017 Shahpurwala et al.

2017/0028582 A1 2/2017 Campbell

2017/0281295 A1 10/2017 Abt

2019/0046354 A1 2/2019 Easley et al.

2019/0223897 A1 7/2019 Thuyente et al.

2021/0213599 A1 * 7/2021 Mazzeo A61B 17/30

OTHER PUBLICATIONS

Merriam-Webster definition of “serrated” accessed on Feb. 24, 2021; <https://www.merriam-webster.com/dictionary/serrated> (Year:2021).

“Scanlan Legacy High Precision Titanium Instruments,” Scanlan Product Brochure, 2012, 2 pages.

International Search Report and Written Opinion issued in PCT/US2019/014540, dated Mar. 15, 2019, 15 pages.

* cited by examiner

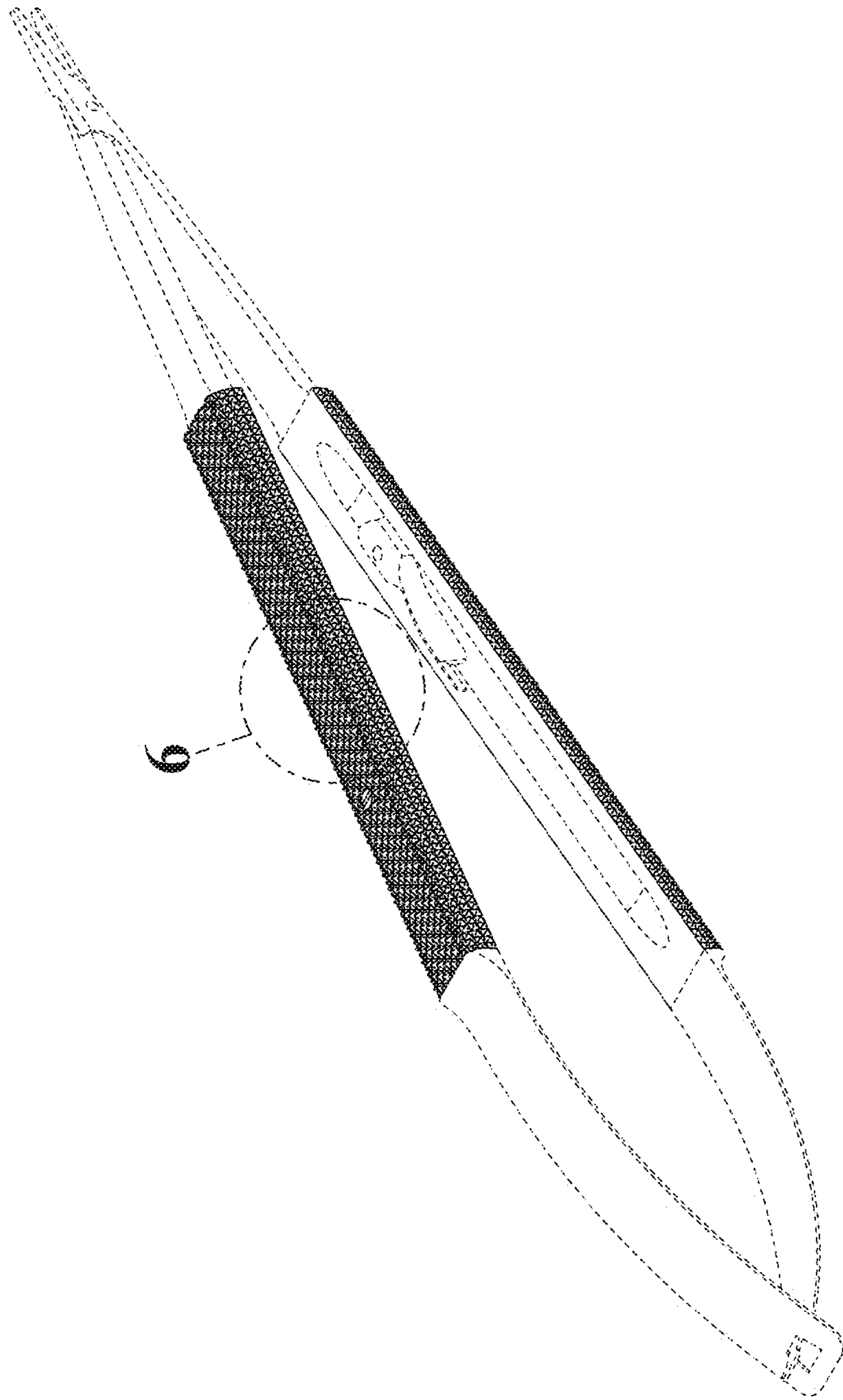


FIG. 1

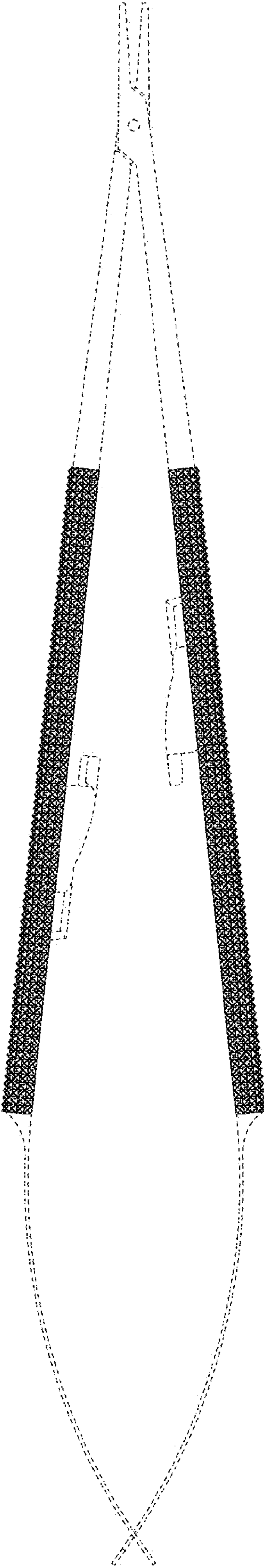


FIG. 2

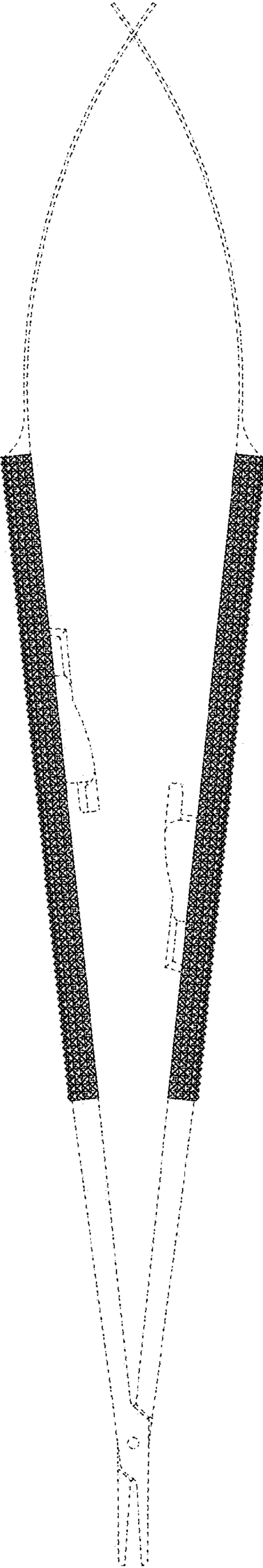


FIG. 3

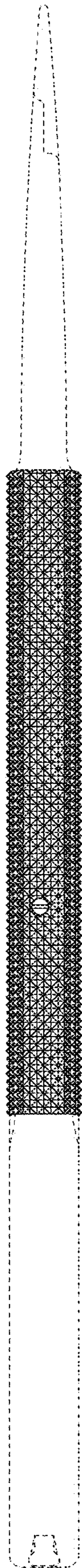


FIG. 4

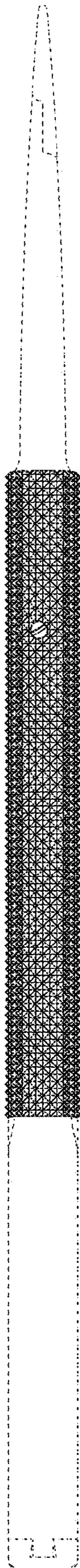


FIG. 5

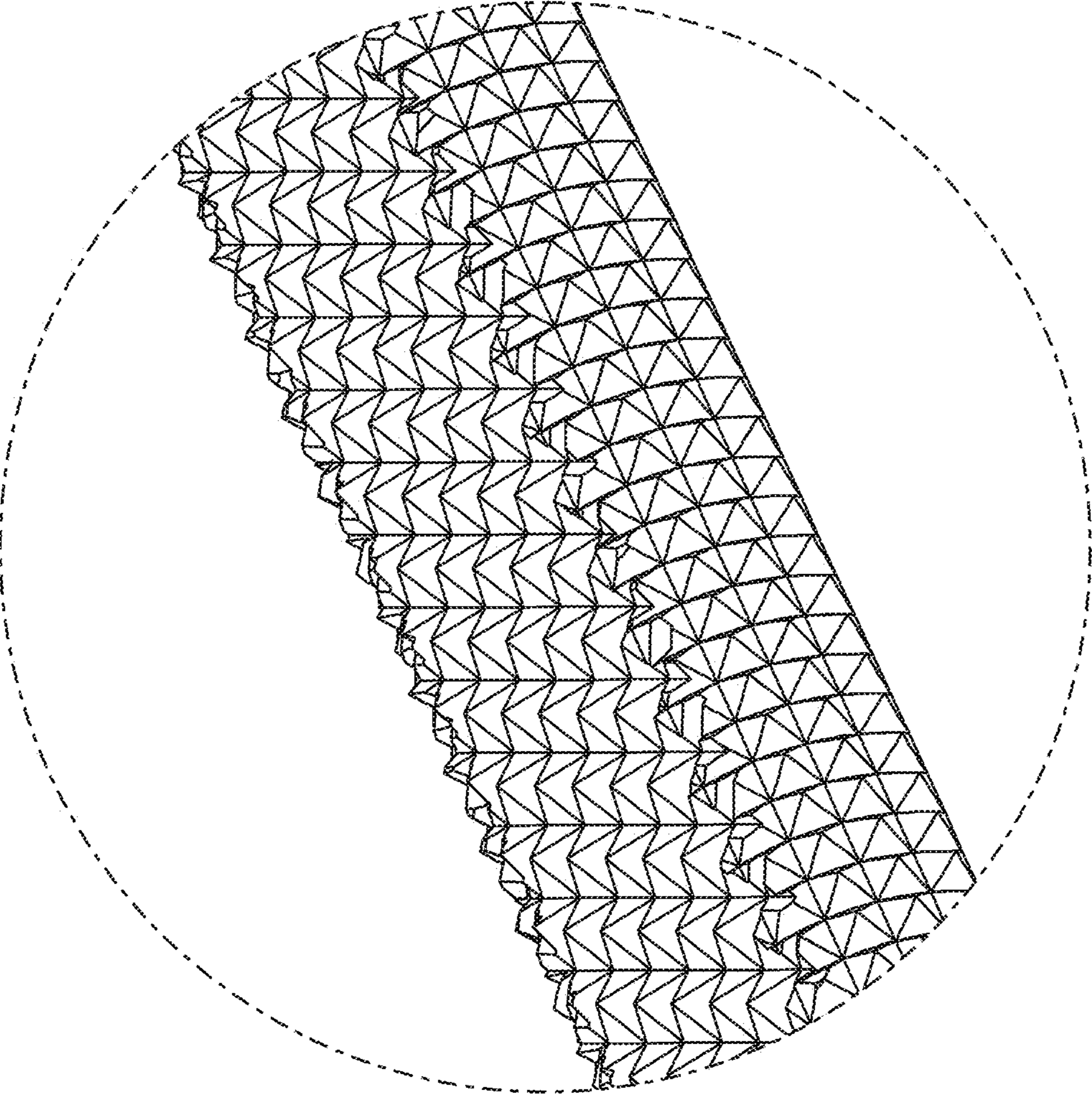


FIG. 6