



US00D949336S

(12) **United States Design Patent**
Friedman

(10) **Patent No.:** **US D949,336 S**

(45) **Date of Patent:** **** Apr. 19, 2022**

(54) **NOSEBLEED CLAMP**

(71) Applicant: **Bryan Friedman**, Scottsdale, AZ (US)

(72) Inventor: **Bryan Friedman**, Scottsdale, AZ (US)

(**) Term: **15 Years**

(21) Appl. No.: **29/737,127**

(22) Filed: **Jun. 5, 2020**

(51) **LOC (13) Cl.** **24-02**

(52) **U.S. Cl.**
USPC **D24/143**

(58) **Field of Classification Search**

USPC D24/133, 135, 143; D8/395

CPC A61B 17/24; A61B 17/122; A61B 17/12;

A61B 2017/12004; A61F 13/126; A61F

13/2005; A61F 2013/00476

See application file for complete search history.

(56) **References Cited**

U.S. PATENT DOCUMENTS

D447,564 S *	9/2001	Stewart, Jr.	D24/143
D571,179 S *	6/2008	Ahlgren	D8/395
D697,779 S *	1/2014	Iwasaki	D8/72
D731,055 S *	6/2015	Hyde	D24/143
D750,476 S *	3/2016	Huang	D8/395
D767,761 S *	9/2016	Babb	D24/143
10,792,059 B2 *	10/2020	Napolez	A61B 17/122
2021/0267616 A1 *	9/2021	Minks	A61B 17/24

* cited by examiner

Primary Examiner — Wan Laymon

(74) *Attorney, Agent, or Firm* — Tarter Krinsky & Drogin LLP

(57) **CLAIM**

The ornamental design for a nosebleed clamp, as shown and described.

DESCRIPTION

FIG. 1 is a perspective view of a nosebleed clamp in a closed configuration;

FIG. 2 is a front view thereof;

FIG. 3 is a rear view thereof;

FIG. 4 is a first side view thereof;

FIG. 5 is a second side view thereof;

FIG. 6 is a bottom view thereof;

FIG. 7 is a top view thereof;

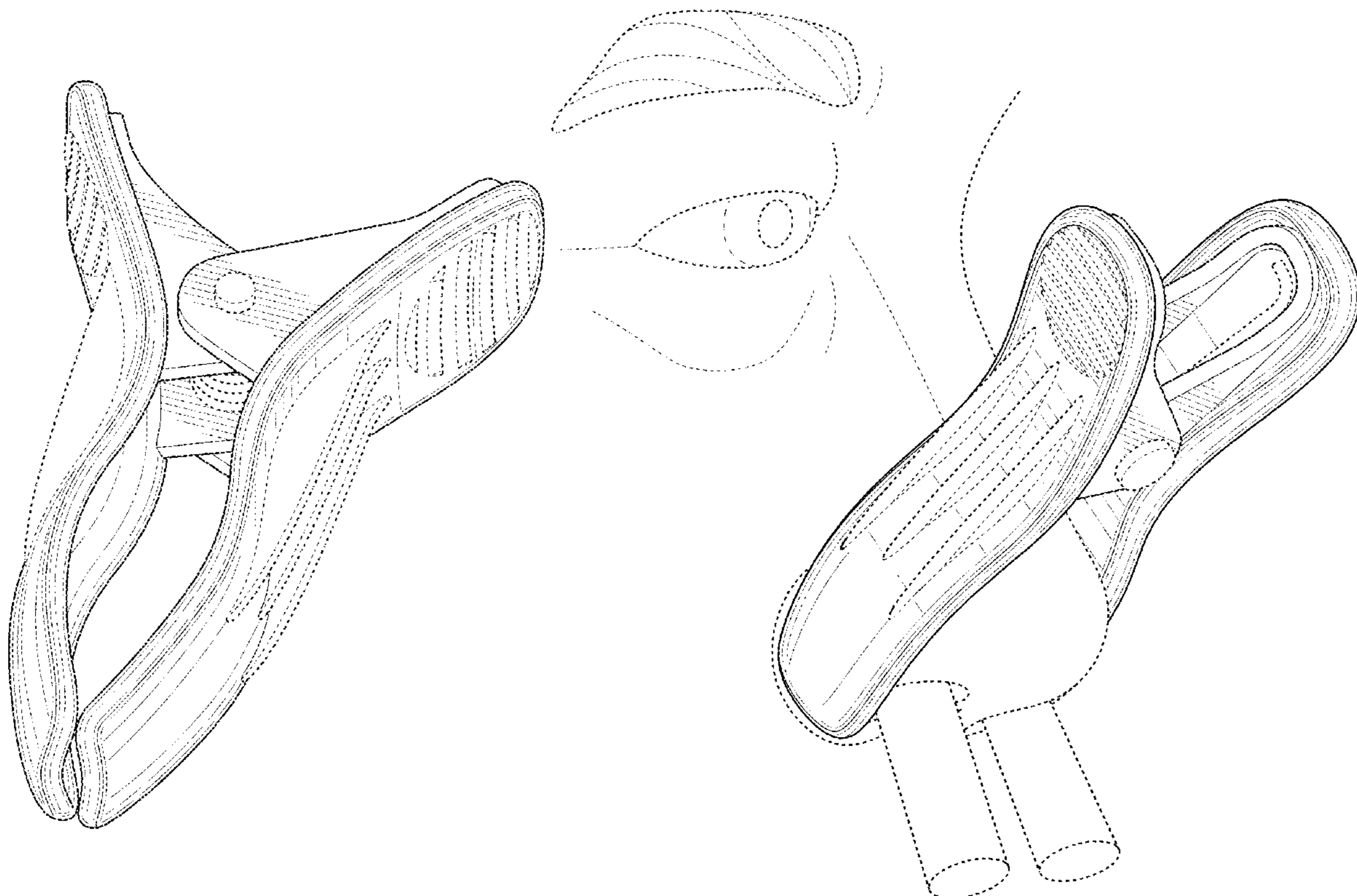
FIG. 8 is a perspective view of the nosebleed clamp in an open configuration when held open by a user; and,

FIG. 9 is a perspective view of the nosebleed clamp as applied on a user.

The broken lines shown in the figures illustrate portions of the nosebleed clamp that form no part of the claimed design.

The broken-line outline of the partial human hand and face in FIGS. 8-9 assists in illustrating how the claimed design is opened and applied, but forms no part of the claimed design.

1 Claim, 6 Drawing Sheets



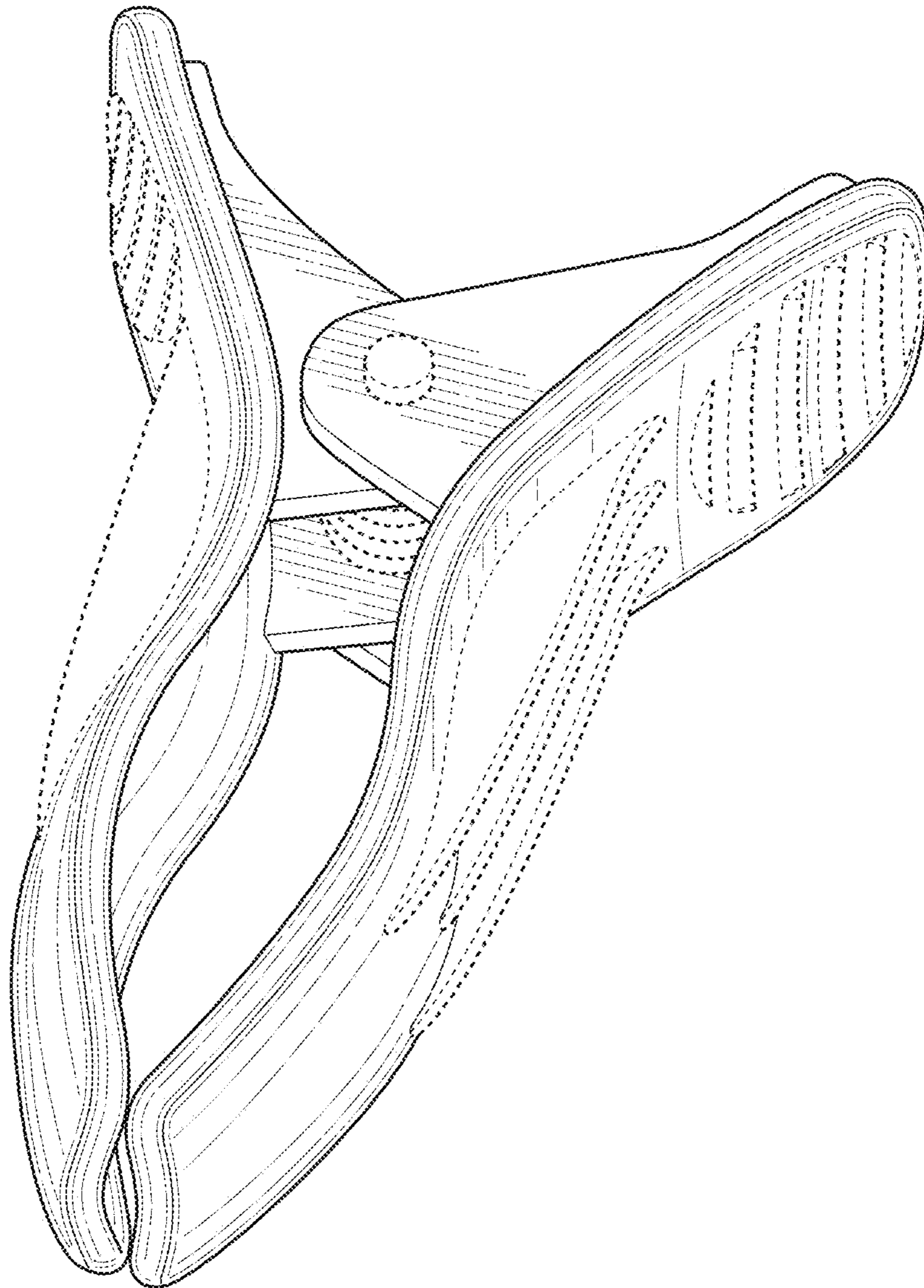


FIG. 1

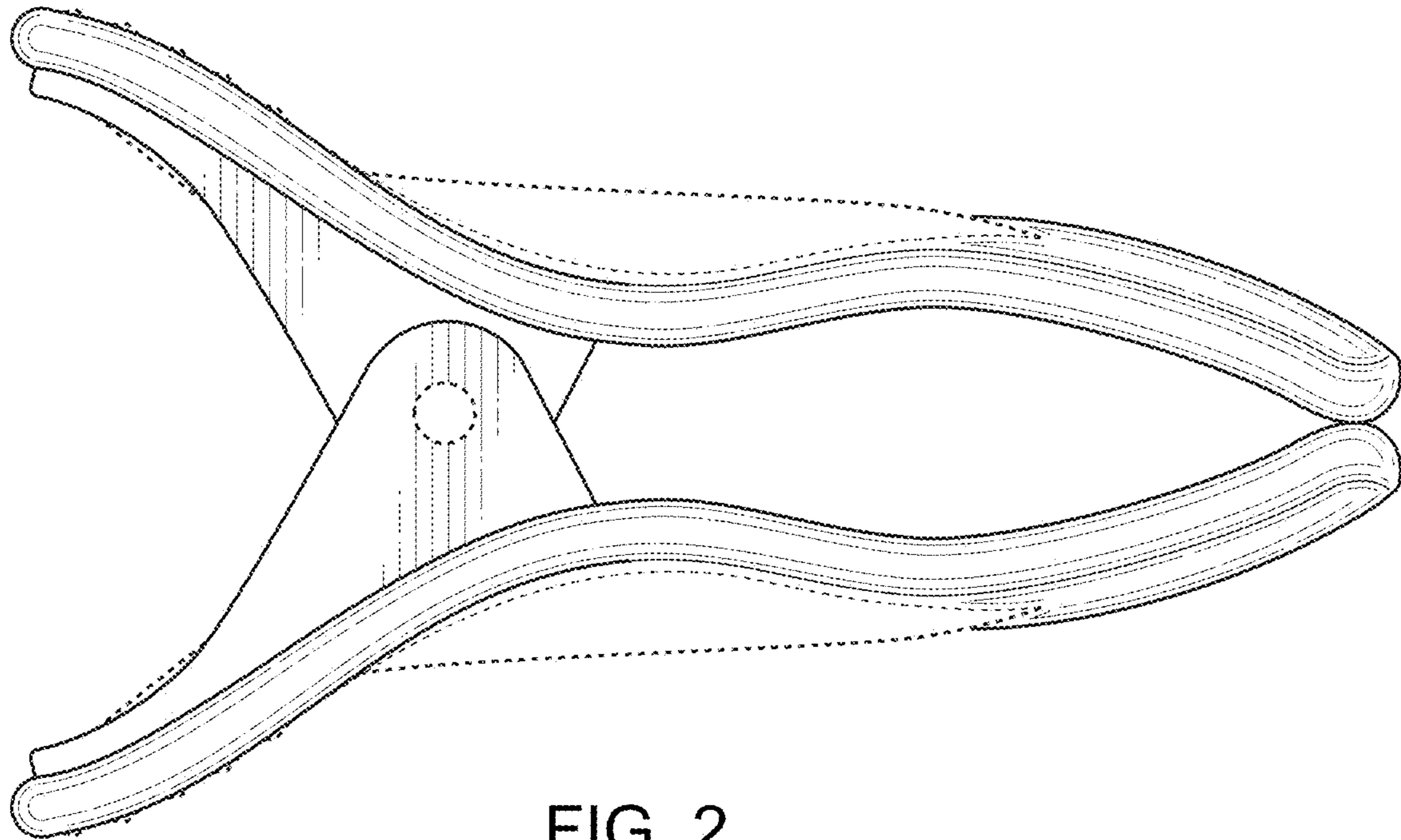


FIG. 2

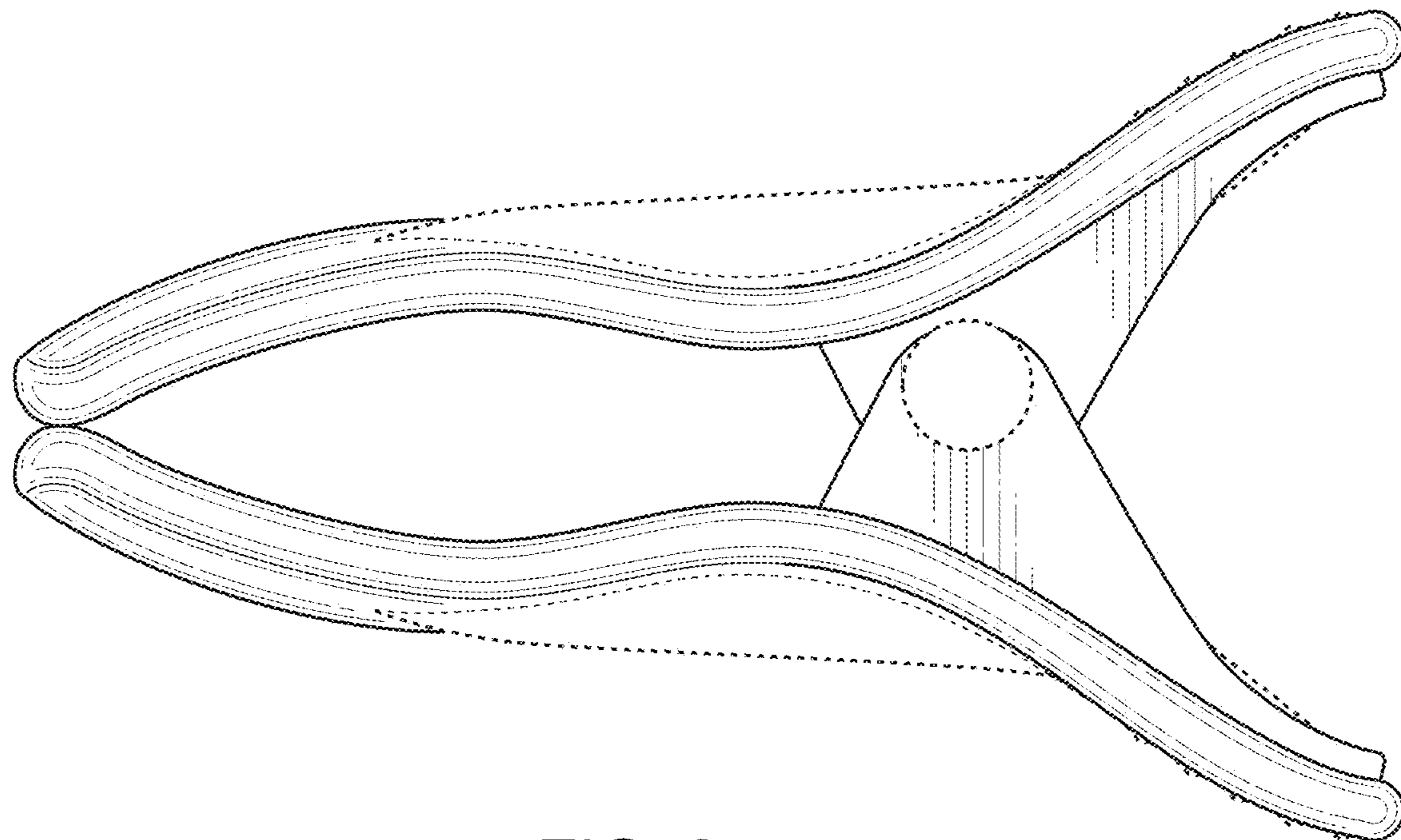


FIG. 3

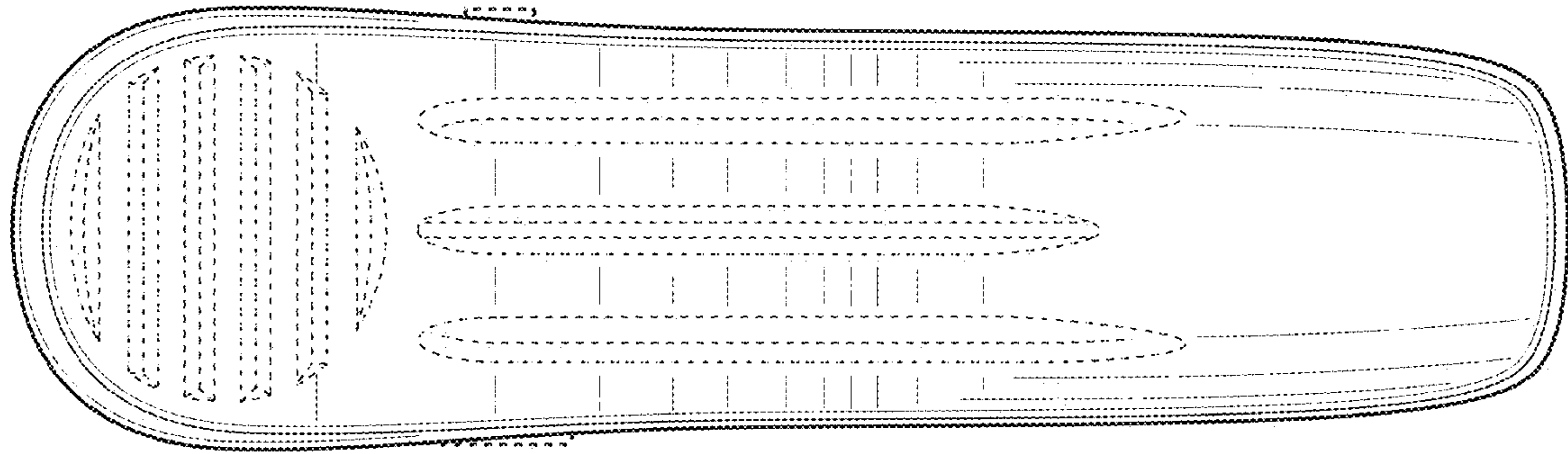


FIG. 4

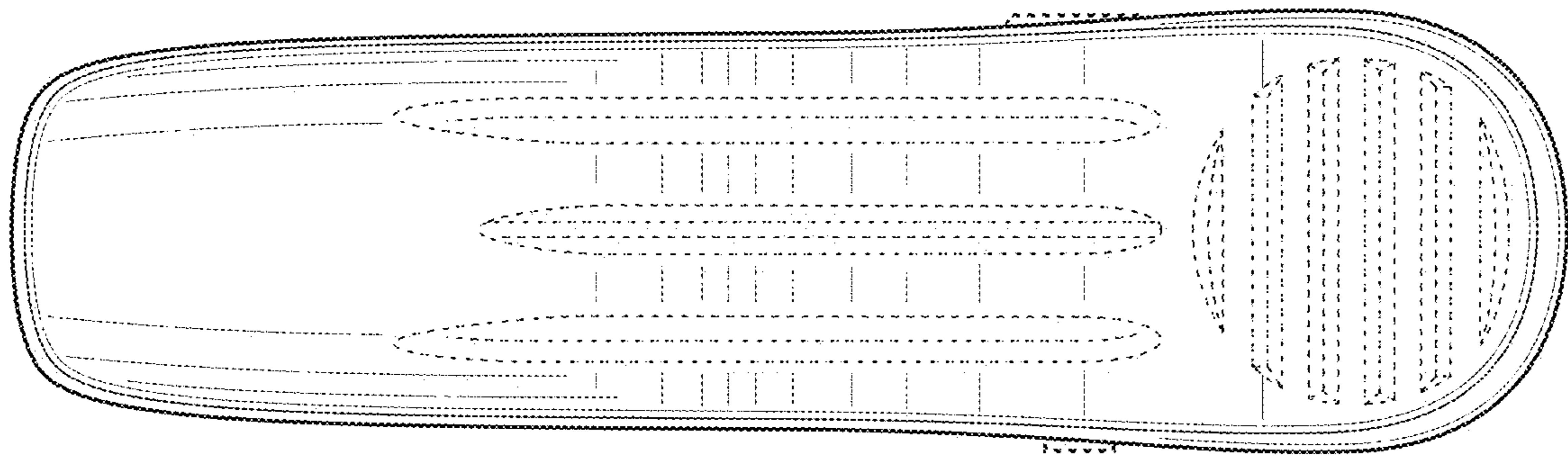


FIG. 5

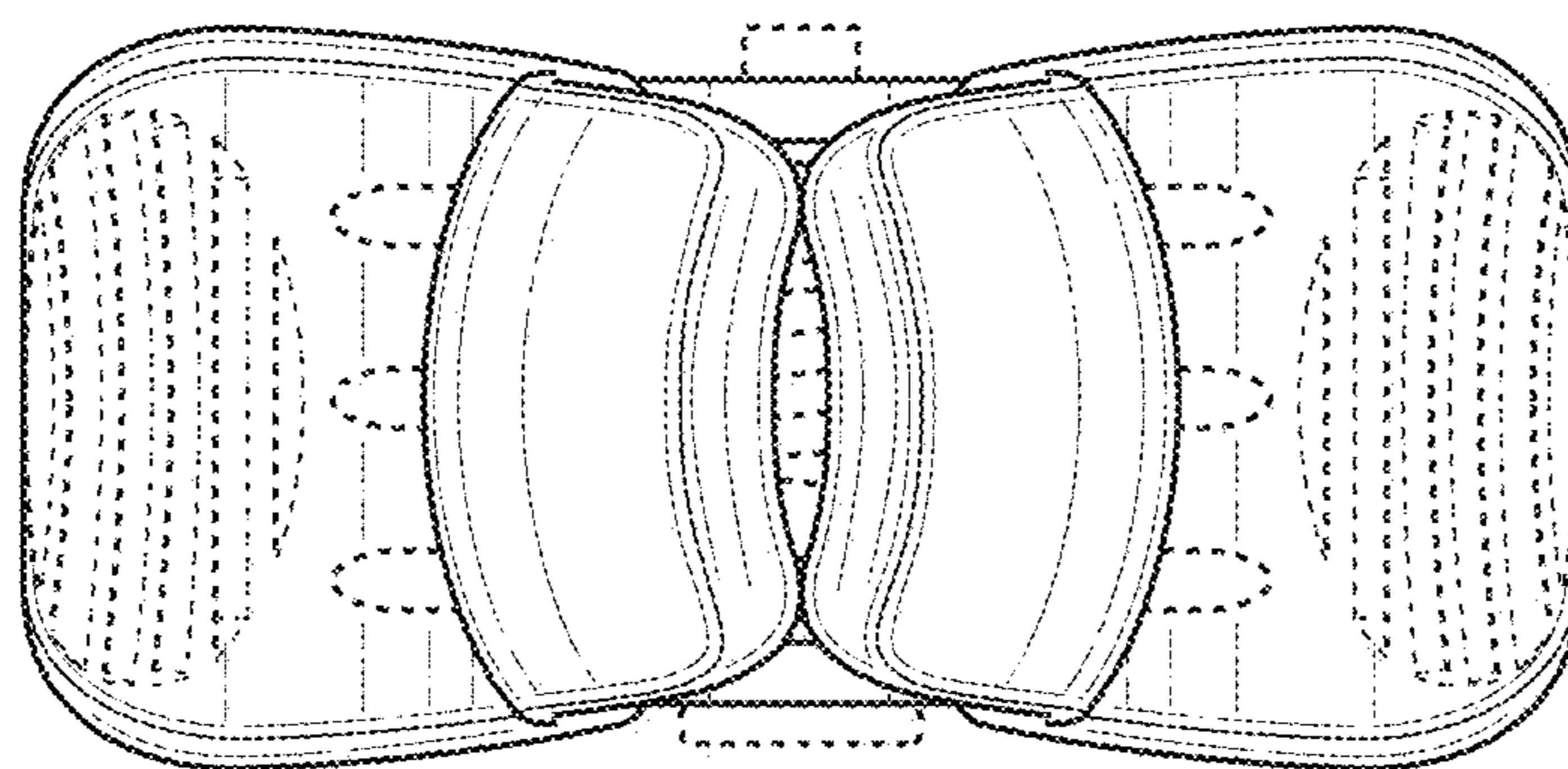


FIG. 6

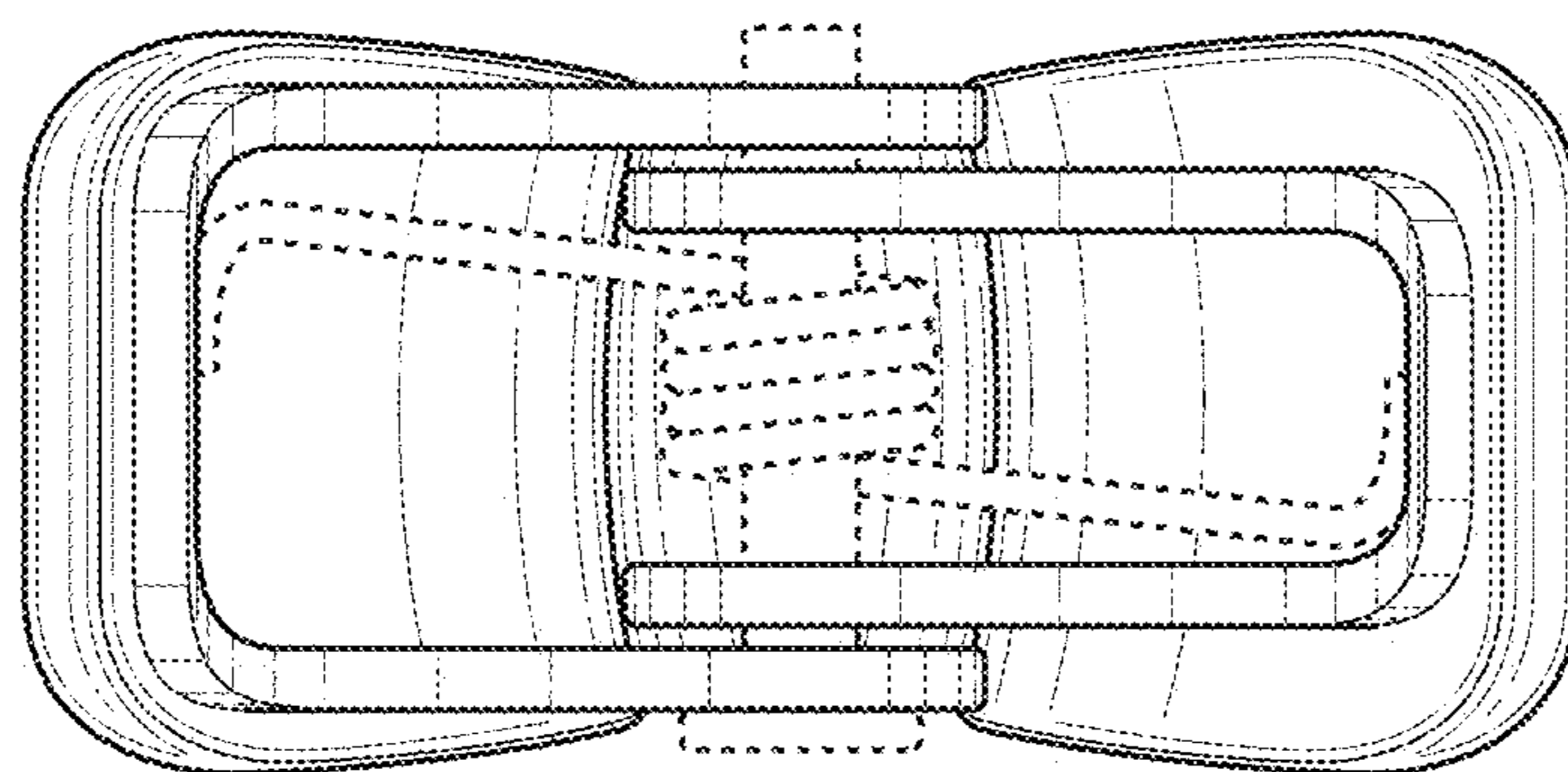


FIG. 7

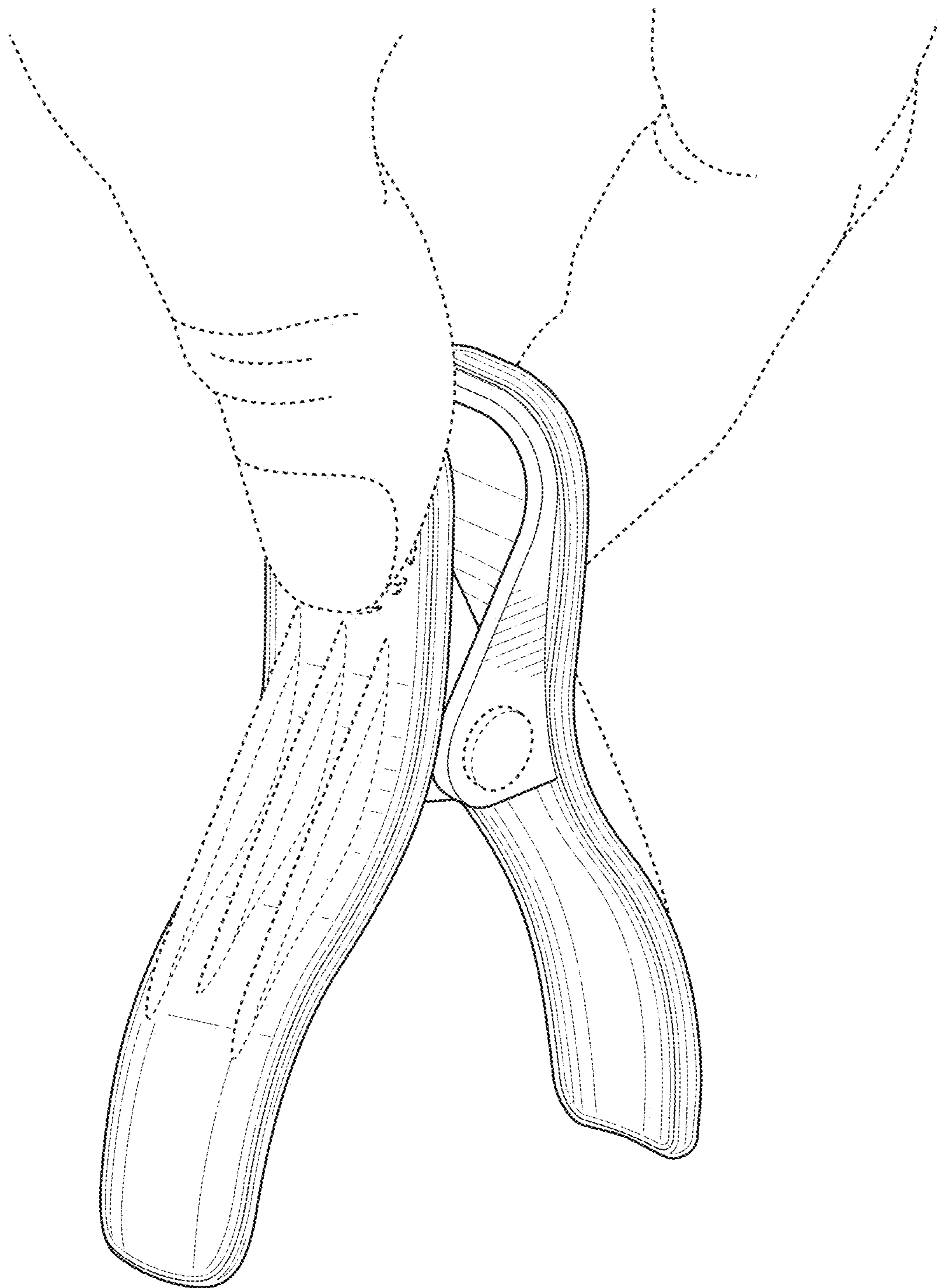


FIG. 8

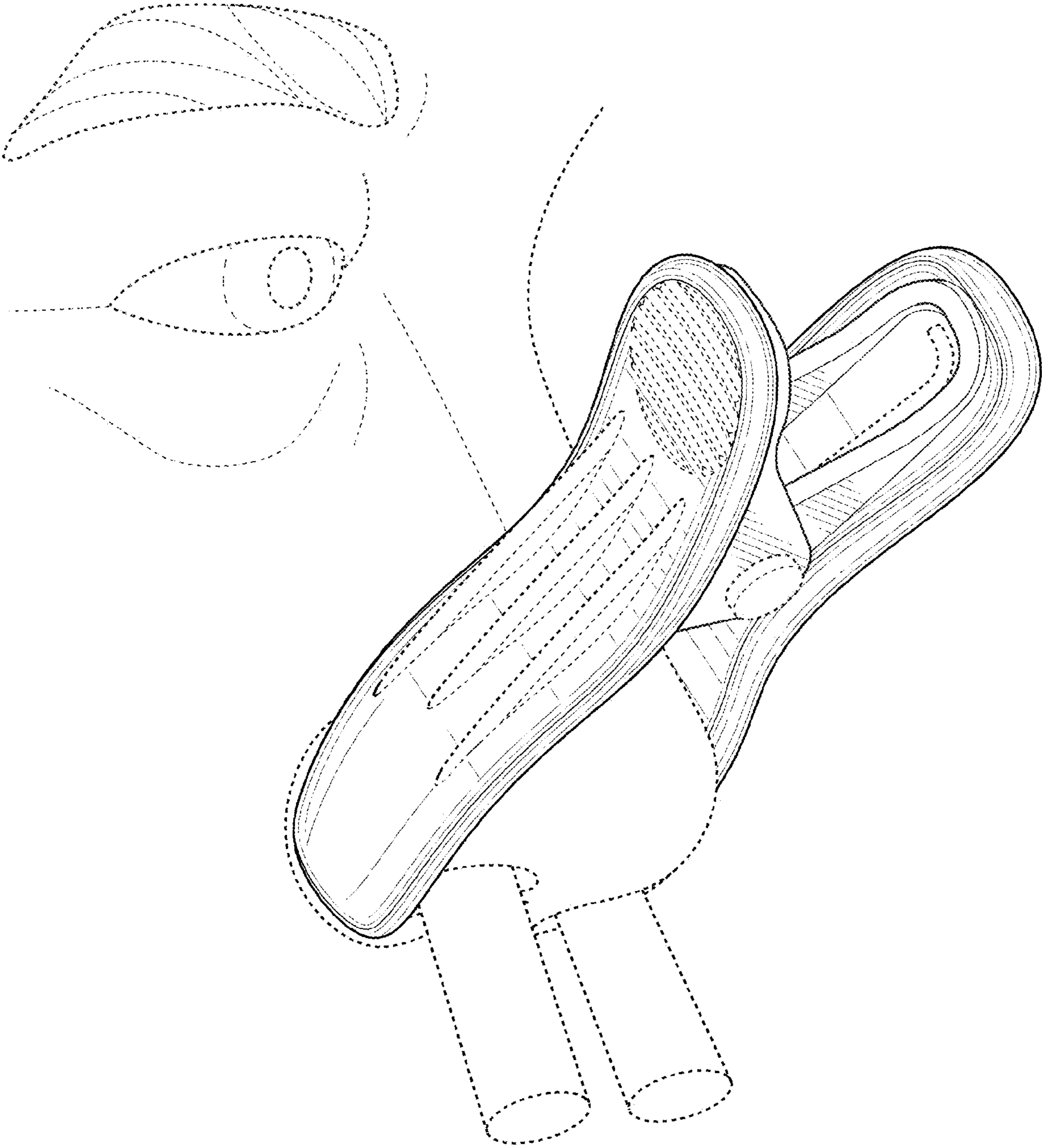


FIG. 9